



Technical Bulletin

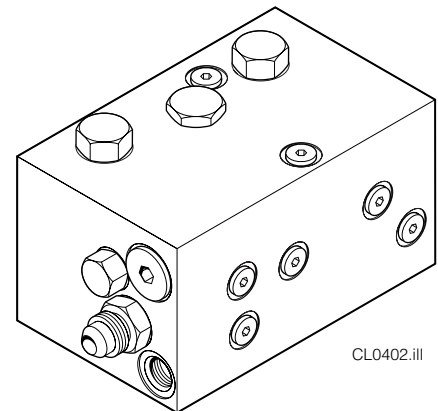
Warranty Information

Warranty Information

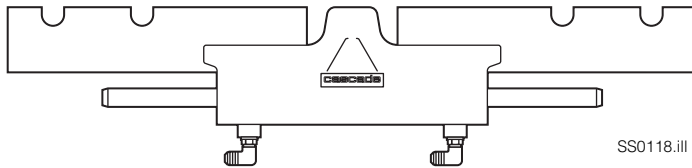
When servicing **standard** Cascade attachments within the warranty period (**1 year from date of installation**), Cascade requires the replacement rather than the repair of all hydraulic components. These components include cylinders, revolving connections and valves. See examples.



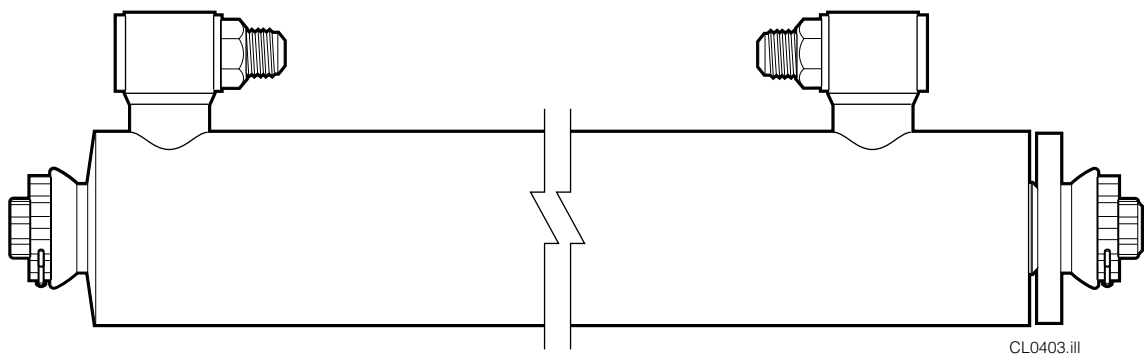
WARNING: Warranty will be voided if the hydraulic component is repaired except with authorization from Cascade Technical Support.



Valve



Sideshift Cylinder



Cylinder

cascade[®]

For Technical Assistance and to Order Parts . . .

Call: 800-CAS-CADE (227-2233)

FAX: 888-329-8207

Write: Cascade Corporation, PO Box 20187, Portland, OR 97294-0187