



Parts Manual

Model _____ Paper Roll Clamp

Serial Number _____ 72G-RCP-C003R0

cascade[®]
corporation

For Technical Assistance call: 800-227-2233, Fax: 888-329-8207

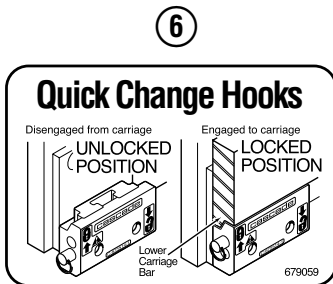
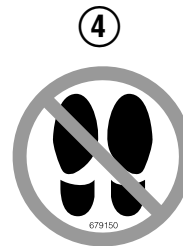
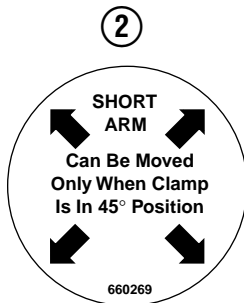
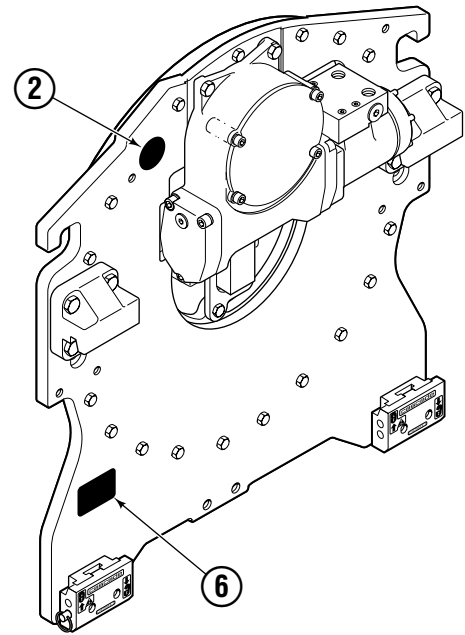
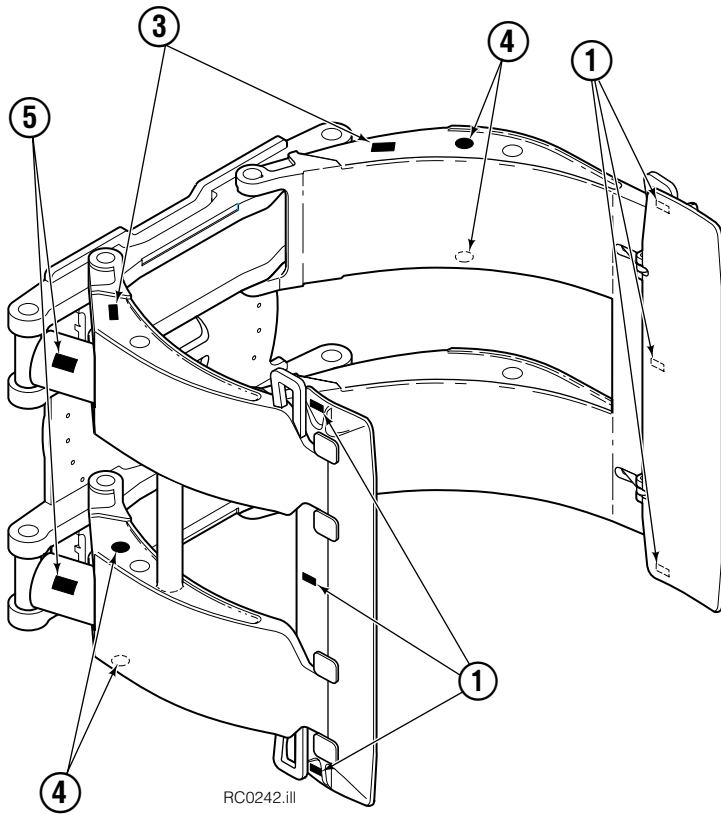
To Order Parts call: 888-227-2233, Fax: 888-329-0234

OR

Write: Cascade Corporation, P.O. Box 20187, Portland, OR 97220

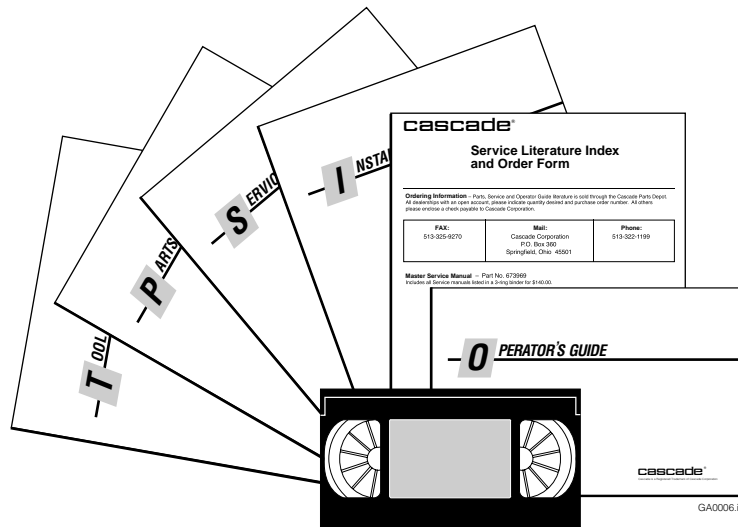
Internet: www.cascorp.com

Decals



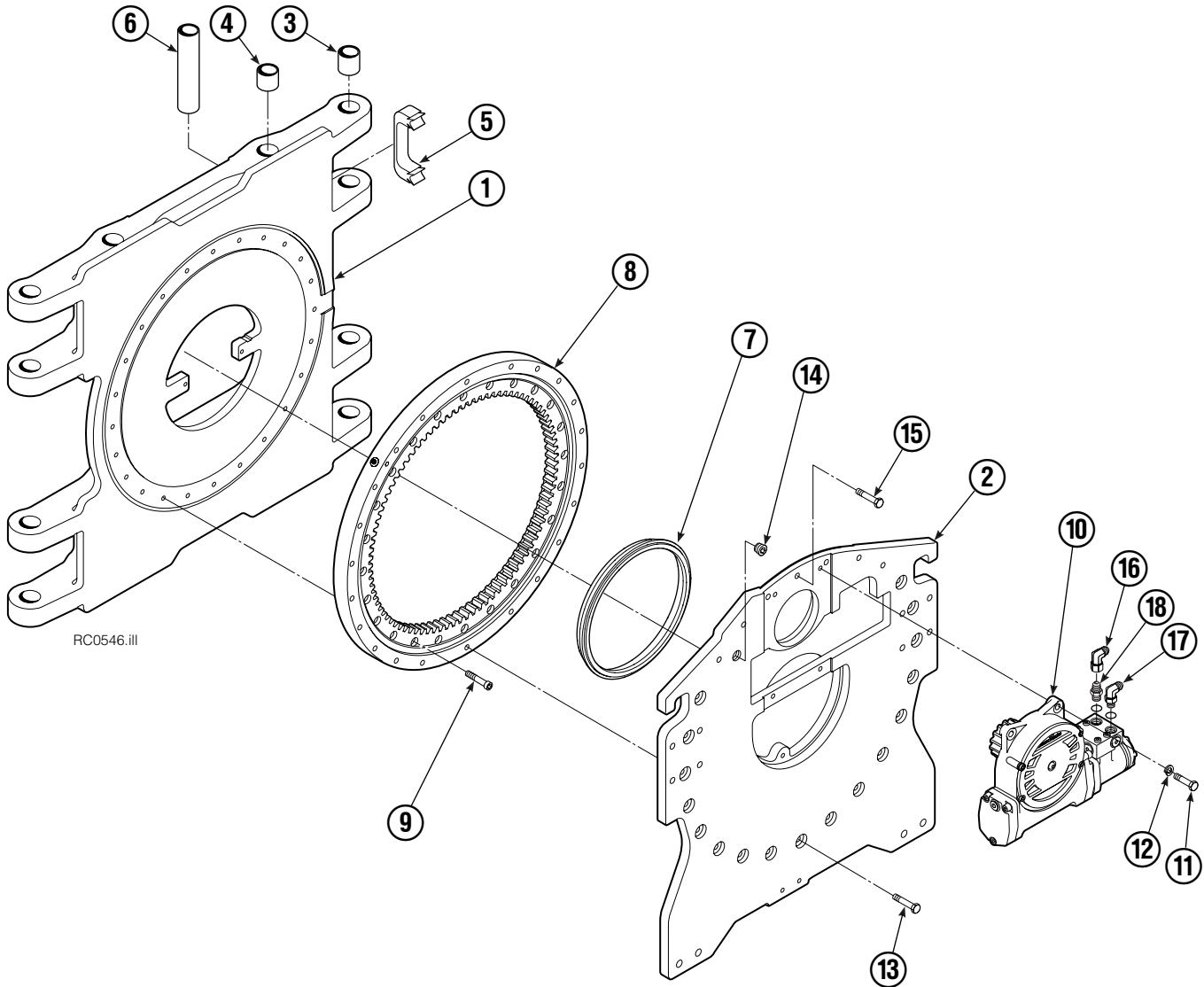
| 72G | | | | |
|-----|-----|----------|-----------------------------------|--|
| REF | QTY | PART NO. | DESCRIPTION | |
| 1 | 6 | 665595 | No Hand Hold Decal | |
| 2 | 1 | 660269 | Short Arm Rotation Position Decal | |
| 3 | 4 | 656038 | Caution Decal | |
| 4 | 4 | 679150 | No Step Decal | |
| 5 | 4 | 665677 | Trapped Pressure Decal | |
| 6 | 1 | 679059 | Quick-Change Hook Decal | |

Publications



| 72G | |
|----------|---|
| PART NO. | DESCRIPTION |
| | Parts Manual |
| 213744 | Service Manual |
| 210135 | Operator's Guide |
| 212420 | Installation Instructions - Fixed Frame |
| 677555 | Driver Training Video - VHS |
| 678363 | Troubleshooting Video - VHS |
| 680664 | Servicing Cascade Cylinders - VHS |
| 679929 | Tool Catalog |
| 673964 | Literature Index Order Form |

Frame Group



72G

| REF | QTY | PART NO. | DESCRIPTION | REF | QTY | PART NO. | DESCRIPTION |
|-----|-----|----------|--------------------------------|-----|-----|----------|--|
| | | 221780 | Frame Group – 60 in. ▲ | 12 | 4 | 683822 | Lockwasher, M12 |
| 1 | 1 | 221767 | Frame – 60 in. ▲ | 13 | 17 | 643538 | Capscrew, .5 x 1.5 |
| 2 | 1 | 399046 | Baseplate | 14 | 1 | 6605 | Fitting, 3/4 in. |
| 3 | 8 | 211718 | Bearing | 15 | 7 | 643539 | Capscrew, .5 x 1.75 |
| 4 | 8 | 211717 | Bearing | 16 | 1 | 605761 | Fitting, 8-8 SAE |
| 5 | 4 | 211712 | Hose Guard | 17 | 1 | 601250 | Fitting, 8-8 SAE |
| 6 | 4 | 209987 | Spacer | 18 | 1 | 601377 | Fitting, 8-8 SAE |
| 7 | 1 | 209944 | Seal | | | — | Bearing Service Kit (items 3, 4, 6) |
| 8 | 1 | 672830 | Bearing Assembly | | | — | Pin Service Kit (items 4, 6) |
| 9 | 24 | 4507 | Capscrew, .5 x 1.75 | | | — | Pin Service Kit (items 3) |
| 10 | 1 | 795492 | Drive Group – 2.8 c.i. Motor ● | | | 685842 | Bearing Service Kit (items 8,9,12,13,15) |
| 11 | 4 | 211689 | Capscrew, M12 x 30 | | | 669344 | Stop Block Kit |

▲ Maximum roll handling capacity.

● See Drive Group page for parts breakdown.

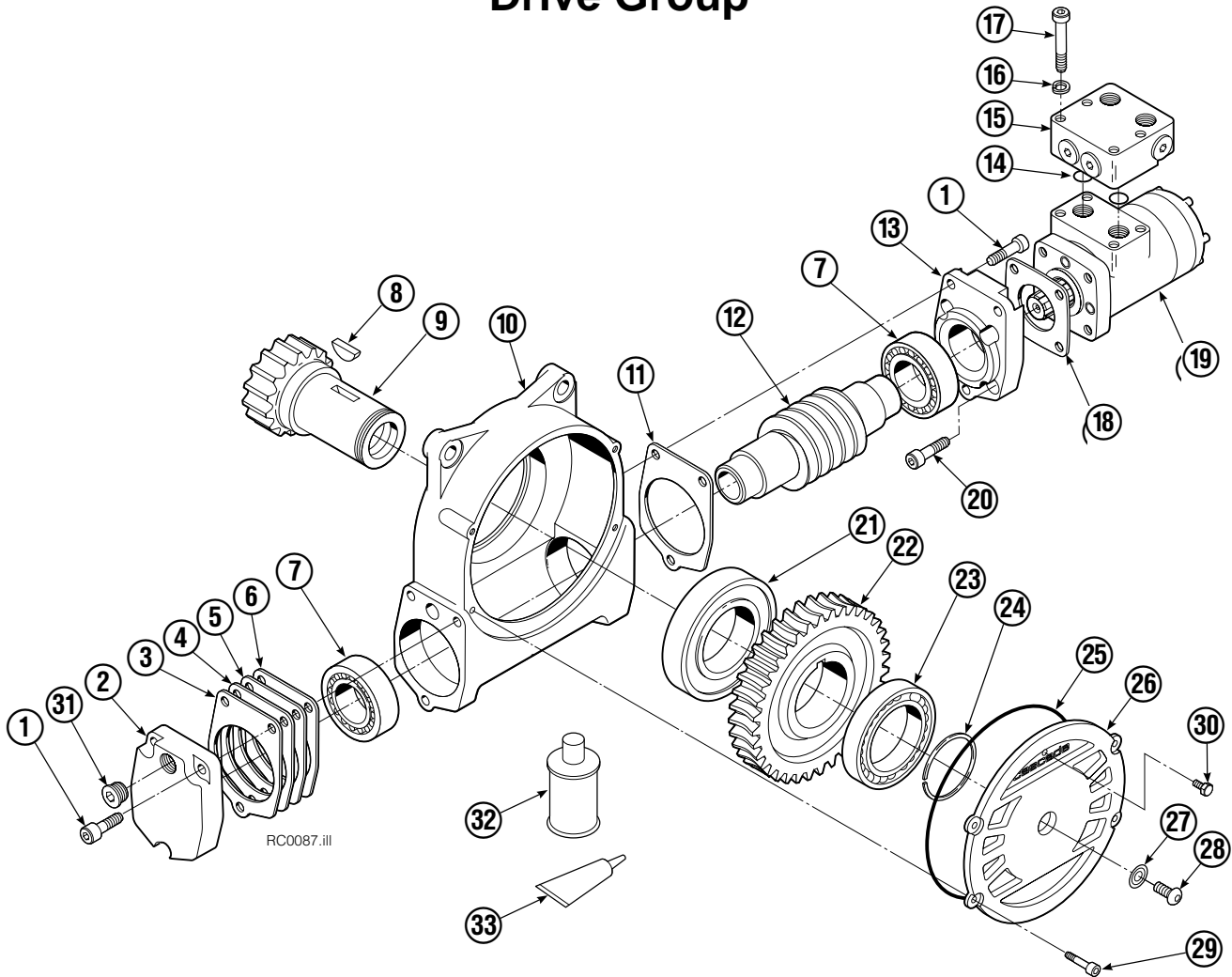
Reference: S-4165, S-4188, S-4650, S-4733.

Reference: Common Parts Groups 211975, 399052.

Baseplate Group 399284.

Fitting Group 212367.

Drive Group



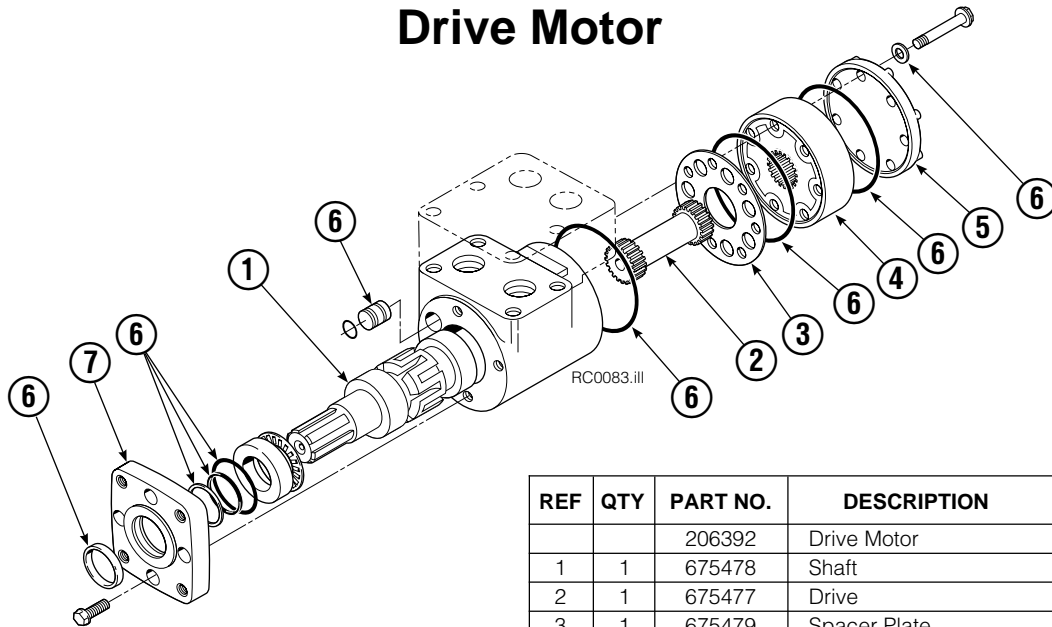
| REF | QTY | PART NO. | DESCRIPTION | REF | QTY | PART NO. | DESCRIPTION |
|-----|-----|----------|---------------------------------|-----|-----|----------|-------------------------------------|
| | | 795492 | Drive Group with 2.8 c.i. Motor | 19 | 1 | 206392 | Drive Motor – 2.8 c.i. ■ |
| 1 | 6 | 769570 | Capscrew, M12 x 25 | 20 | 4 | 4468 | Capscrew, 3/8 NC x .75 GR8 |
| 2 | 1 | 676855 | Cover | 21 | 1 | 670580 | Bearing |
| 3 | ● | 674513 | Shim – .005" (blue) | 22 | 1 | 675609 | Worm Gear |
| 4 | ● | 670574 | Shim – .010" (brown) | 23 | 1 | 670581 | Bearing |
| 5 | ● | 671757 | Shim – .015" (pink) | 24 | 1 | 7214 | Snap Ring |
| 6 | ● | 671758 | Shim – .020" (yellow) | 25 | 1 | 643423 | O-Ring |
| 7 | 2 | 670579 | Bearing | 26 | 1 | 775552 | Cover |
| 8 | 1 | 670582 | Key | 27 | 1 | 783609 | Seal |
| 9 | 1 | 670556 | Pinion | 28 | 1 | 783608 | Capscrew, M10 x 16 |
| 10 | 1 | 775551 | Housing | 29 | 4 | 200882 | Capscrew, M8 x 20 |
| 11 | 1 | 686465 | Gasket | 30 | 1 | 644010 | Relief Fitting |
| 12 | 1 | 675608 | Worm | 31 | 1 | 604510 | Fitting, 6 |
| 13 | 1 | 775553 | Adapter | 32 | 1 | 656300 | Gear Box Lube – 48 oz. |
| 14 | 2 | 2705 | O-Ring | 33 | 1 | 668184 | Sealant |
| 15 | 1 | 670549 | Check Valve ▲ | | | 670578 | Shim Service Kit (items 3-6,25,33) |
| 16 | 4 | 6444 | Lockwasher | | | 675637 | Bearing Service Kit (items 21 & 33) |
| 17 | 4 | 607059 | Capscrew, 5/16 NC x 1.75 GR8 | | | 675638 | Bearing Service Kit (items 3-7,25) |
| 18 | 1 | 670575 | Gasket | | | 685227 | Motor Kit-4.5 (items 4,14,18) |

● Quantity as required.

■ See Drive Motor page for parts breakdown.

▲ See Check Valve page for parts breakdown.

Drive Motor



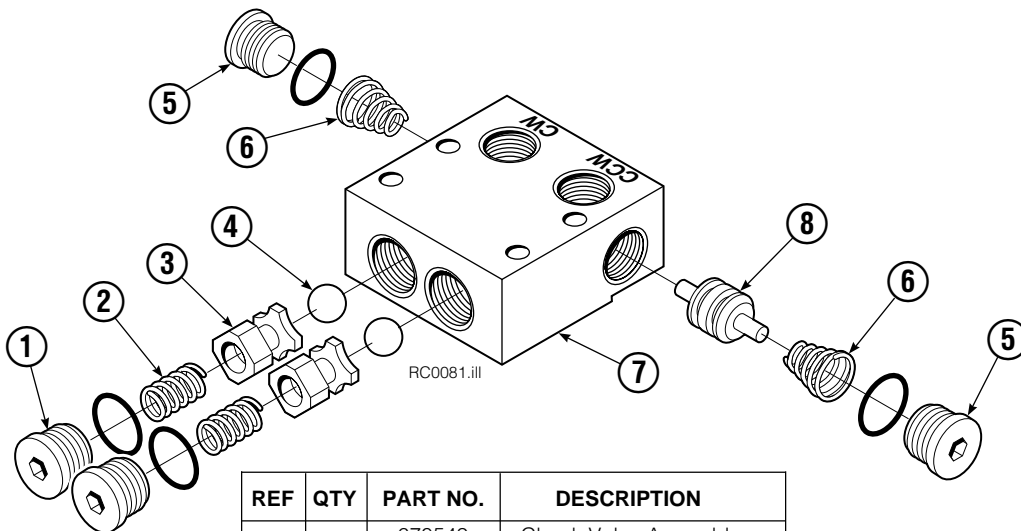
| REF | QTY | PART NO. | DESCRIPTION |
|-----|-----|----------|------------------------------|
| | | 206392 | Drive Motor |
| 1 | 1 | 675478 | Shaft |
| 2 | 1 | 675477 | Drive |
| 3 | 1 | 675479 | Spacer Plate |
| 4 | 1 | 675480 | ■ Gerotor Set (101-1768-007) |
| 4 | 1 | 685075 | ■ Gerotor Set (101-1768-009) |
| 5 | 1 | 675482 | End Cap |
| 6 | 1 | 206405 | ● Service Kit |
| 7 | 1 | 685089 | ■ Flange (101-1768-007) |
| 7 | 1 | 685090 | ■ Flange (101-1768-009) |

Cascade provides service replacement parts for the listed parts only. Due to cost, if others parts need replacement, the complete drive motor should be replaced.

■ See Nameplate under valve for correct part number of Gerotor Set and Flange.

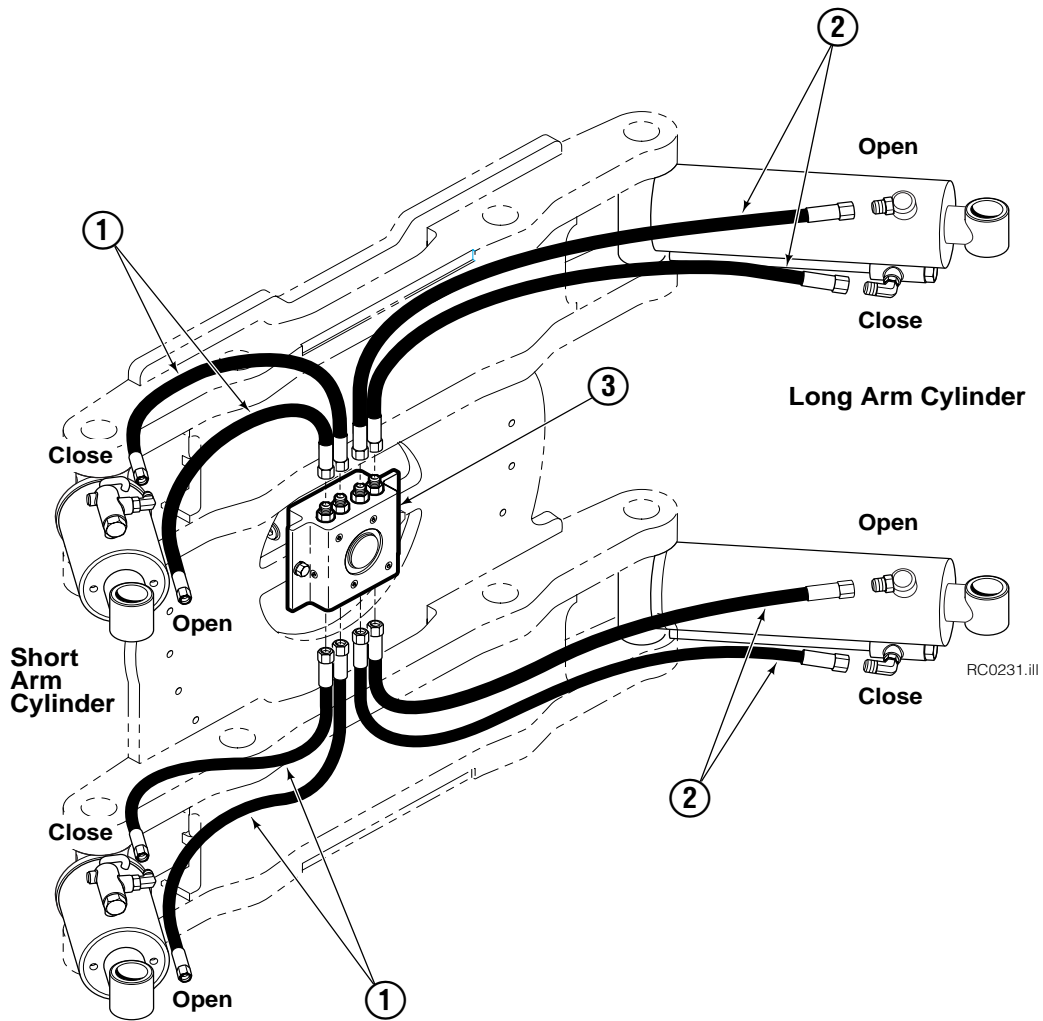
● Compatible with water glycol based hydraulic fluids.

Check Valve



| REF | QTY | PART NO. | DESCRIPTION |
|-----|-----|----------|----------------------|
| | | 670549 | Check Valve Assembly |
| 1 | 2 | 609453 | Fitting, 10 |
| 2 | 2 | 670552 | Spring |
| 3 | 2 | 670551 | Guide |
| 4 | 2 | 7020 | Ball |
| 5 | 2 | 602580 | Fitting, 8 |
| 6 | 2 | 673989 | Spring |
| 7 | 1 | 670550 | Body |
| 8 | 1 | 670553 | Spool |

Hosing Group Positioned Short Arm



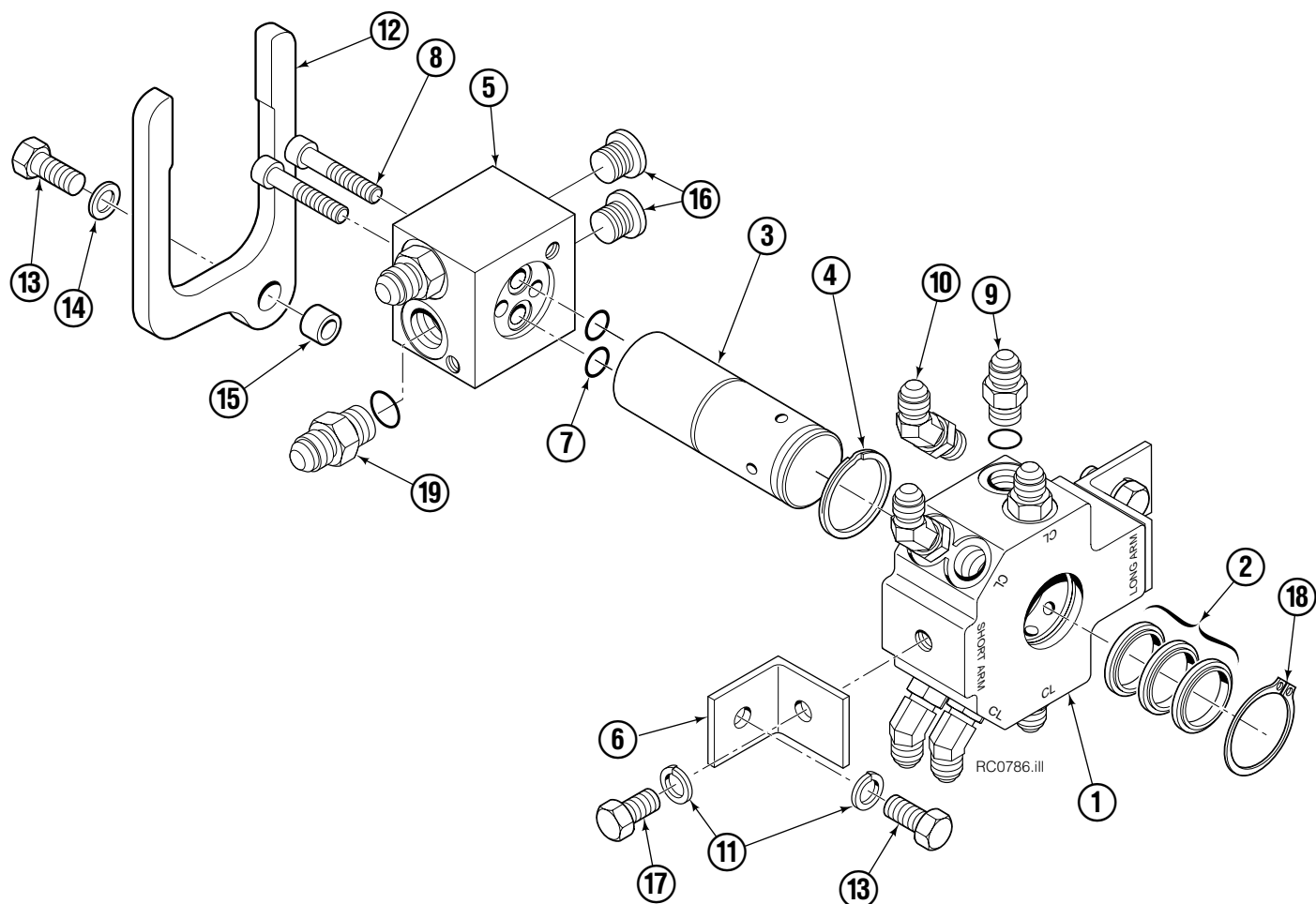
| 72G | | | |
|-----|-----|----------|----------------------|
| REF | QTY | 60 in. ■ | DESCRIPTION |
| | | PART NO. | |
| | | 221781 | Hose Group |
| 1 | 4 | 675084 | Hose, 25.75" |
| 2 | 4 | 210022 | Hose, 35.5" |
| 3 | 1 | ▲ | Revolving Connection |

■ Maximum roll handling capacity.

▲ See Revolving Connection page for part number.

Reference: S-4193, S-4194.

Revolving Connection



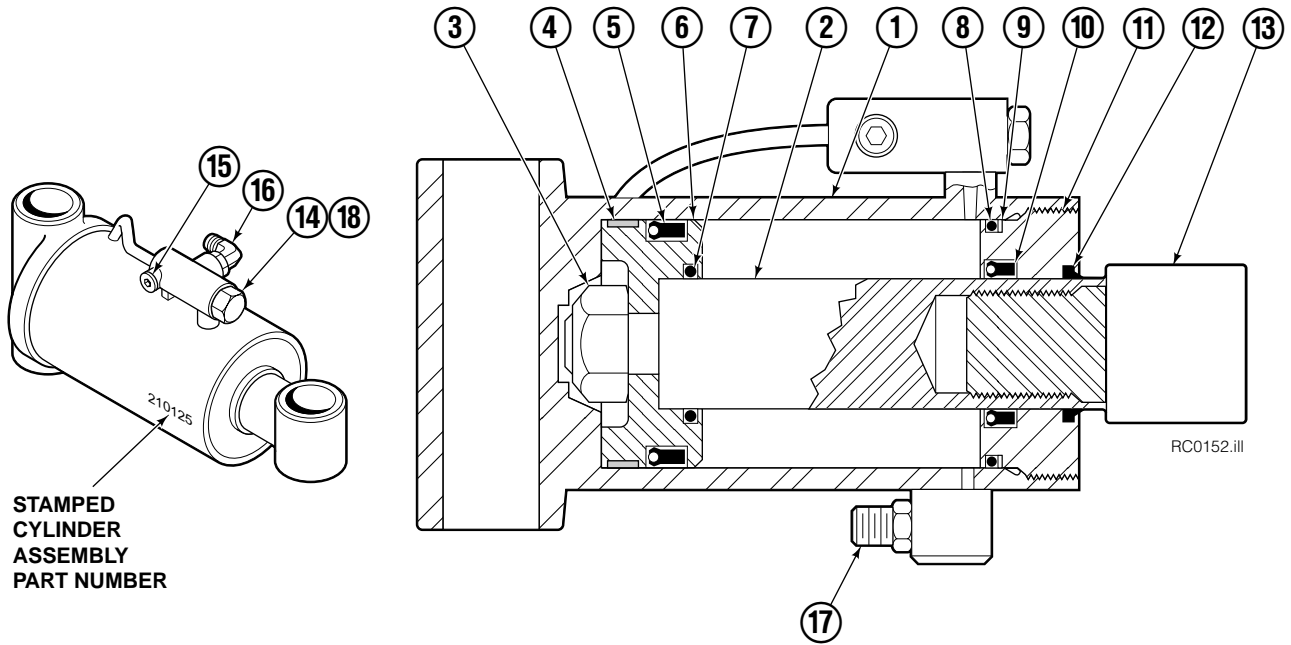
| 66G | | | |
|-----|-----|----------|----------------------|
| REF | QTY | PART NO. | DESCRIPTION |
| | | 222393 | Revolving Connection |
| 1 | 1 | 222192 | Valve Body |
| 2 | 3 | 214649 | ◆ Seal |
| 3 | 1 | 222389 | Shaft |
| 4 | 1 | 7341 | ◆ Retaining Ring |
| 5 | 1 | 222190 | End Block |
| 6 | 2 | 222189 | Bracket |
| 7 | 2 | 564448 | ◆ O-Ring |
| 8 | 2 | 766123 | ◆ Capscrew, M8 x 50 |
| 9 | 4 | 604511 | Fitting, 6-6 |
| 10 | 4 | 611302 | Fitting, 6-6 |
| 11 | 4 | 681238 | Lockwasher, M10 |
| 12 | 1 | 211909 | End Block Retainer |
| 13 | 3 | 215480 | Capscrew, M10 x 25 |
| 14 | 1 | 209021 | Washer, M10 |
| 15 | 1 | 212725 | Spacer |
| 16 | 2 | 602580 | Fitting, 8 |
| 17 | 2 | 212632 | Capscrew, M10 x 20 |
| 18 | 1 | 3138 | ◆ Retaining Ring |
| 19 | 2 | 601377 | ● Fitting, 8-8 |

◆ Included in Service Kit 222223.

● Included in Fitting Group 212367.

Reference: SK-6113.

Short Arm Cylinder



| 66G | | | | | | | |
|-----|-----|----------|----------|---------------|----------|----------|-------------------|
| REF | QTY | 51 in. ■ | 55 in. ■ | 60 in. ■ | 63 in. ■ | 72 in. ■ | DESCRIPTION |
| | | PART NO. | PART NO. | PART NO. | PART NO. | PART NO. | |
| | | 213639 | 213635 | 213641 | 213637 | 213643 | Cylinder Assembly |
| 1 | 1 | 4195-179 | 4195-189 | 4195-194 | 4195-195 | 4195-190 | Shell |
| 2 | 1 | 4130-163 | 4130-174 | 4130-200 | 4130-245 | 4130-335 | Rod |

■ Maximum roll handling capacity.

Common Parts

| REF | QTY | PART NO. | DESCRIPTION | REF | QTY | PART NO. | DESCRIPTION |
|-----|-----|----------|----------------|-----|-----|----------|-------------------------|
| 3 | 1 | 560997 | Nut | 12 | 1 | 564443 | ▲ Wiper |
| 4 | 1 | 211295 | ▲ Wear Ring | 13 | 1 | 209764 | Rod End |
| 5 | 1 | 564902 | ▲ Seal | 14 | 1 | 659058 | Check Valve |
| 6 | 1 | 211292 | Piston | 15 | 1 | 609234 | Fitting, 4 |
| 7 | 1 | 210087 | ▲ O-Ring | 16 | 1 | 601676 | Fitting, 6-6 |
| 8 | 1 | 564445 | ▲ O-Ring | 17 | 1 | 604511 | Fitting, 6-6 |
| 9 | 1 | 564446 | ▲ Back-Up Ring | 18 | 1 | 667516 | Check Valve Service Kit |
| 10 | 1 | 564442 | ▲ Seal | | | 210133 | Cylinder Service Kit |
| 11 | 1 | 209763 | Retainer | | | | |

▲ Included in Service Kit 210133.

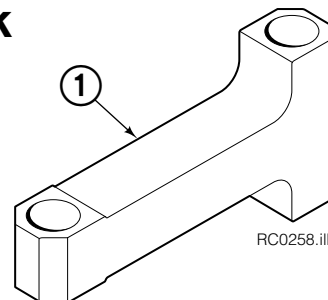
Reference: S-4195, LS-4454, S-4460.

Short Arm Link

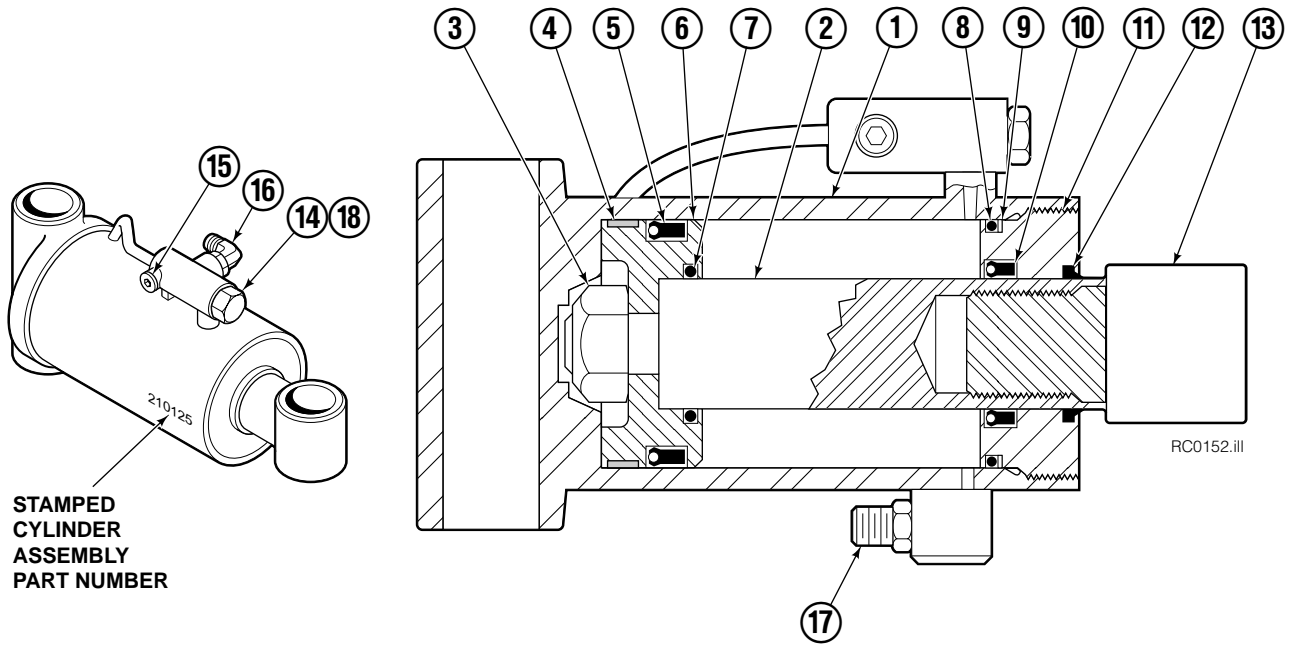
| 66G | | | |
|-----|-----|----------|-----------------|
| REF | QTY | PART NO. | DESCRIPTION |
| 1 | 2 | 213954 | Link – 51 in. ■ |
| | 2 | 213955 | Link – 55 in. ■ |
| | 2 | 213956 | Link – 60 in. ■ |
| | 2 | 213957 | Link – 63 in. ■ |
| | 2 | 210145 | Link – 72 in. ■ |

■ Maximum roll handling capacity.

Reference: S-4196, S-4203.



Long Arm Cylinder



| 66G | | | | | | | |
|-----|-----|----------|----------|----------|---------------|----------|-------------------|
| REF | QTY | 51 in. ■ | 55 in. ■ | 60 in. ■ | 63 in. ■ | 72 in. ■ | DESCRIPTION |
| | | PART NO. | PART NO. | PART NO. | PART NO. | PART NO. | |
| | | 213638 | 213634 | 213640 | 213636 | 213642 | Cylinder Assembly |
| 1 | 1 | 4195-358 | 4195-376 | 4195-395 | 4195-422 | 4195-410 | Shell |
| 2 | 1 | 4130-348 | 4130-379 | 4130-390 | 4130-420 | 4130-500 | Rod |

■ Maximum roll handling capacity.

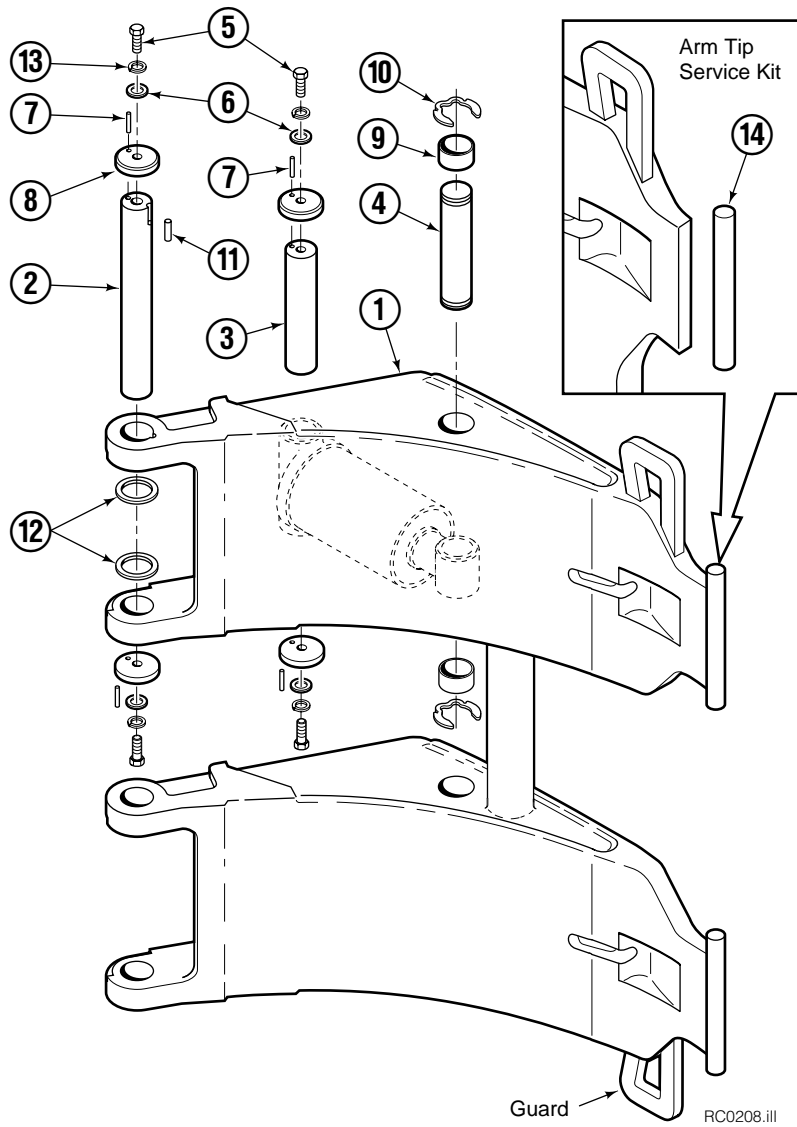
Common Parts

| REF | QTY | PART NO. | DESCRIPTION | REF | QTY | PART NO. | DESCRIPTION |
|-----|-----|----------|----------------|-----|-----|----------|-------------------------|
| 3 | 1 | 560997 | Nut | 12 | 1 | 564443 | ▲ Wiper |
| 4 | 1 | 211295 | ▲ Wear Ring | 13 | 1 | 209764 | Rod End |
| 5 | 1 | 564902 | ▲ Seal | 14 | 1 | 659058 | Check Valve |
| 6 | 1 | 211292 | Piston | 15 | 1 | 609234 | Fitting, 4 |
| 7 | 1 | 210087 | ▲ O-Ring | 16 | 1 | 601676 | Fitting, 6-6 |
| 8 | 1 | 564445 | ▲ O-Ring | 17 | 1 | 604511 | Fitting, 6-6 |
| 9 | 1 | 564446 | ▲ Back-Up Ring | 18 | 1 | 667516 | Check Valve Service Kit |
| 10 | 1 | 564442 | ▲ Seal | | | 210133 | Cylinder Service Kit |
| 11 | 1 | 209763 | Retainer | | | | |

▲ Included in Service Kit 210133.

Reference: S-4195, LS-4454, S-4460.

Short Arm



| 72G | | | |
|-----|-----|----------|---------------------|
| REF | QTY | 60 in. ■ | DESCRIPTION |
| | | PART NO. | |
| | | 221783 | Arm Group w/o Guard |
| 1 | 1 | 221784 | Short Arm w/o Guard |

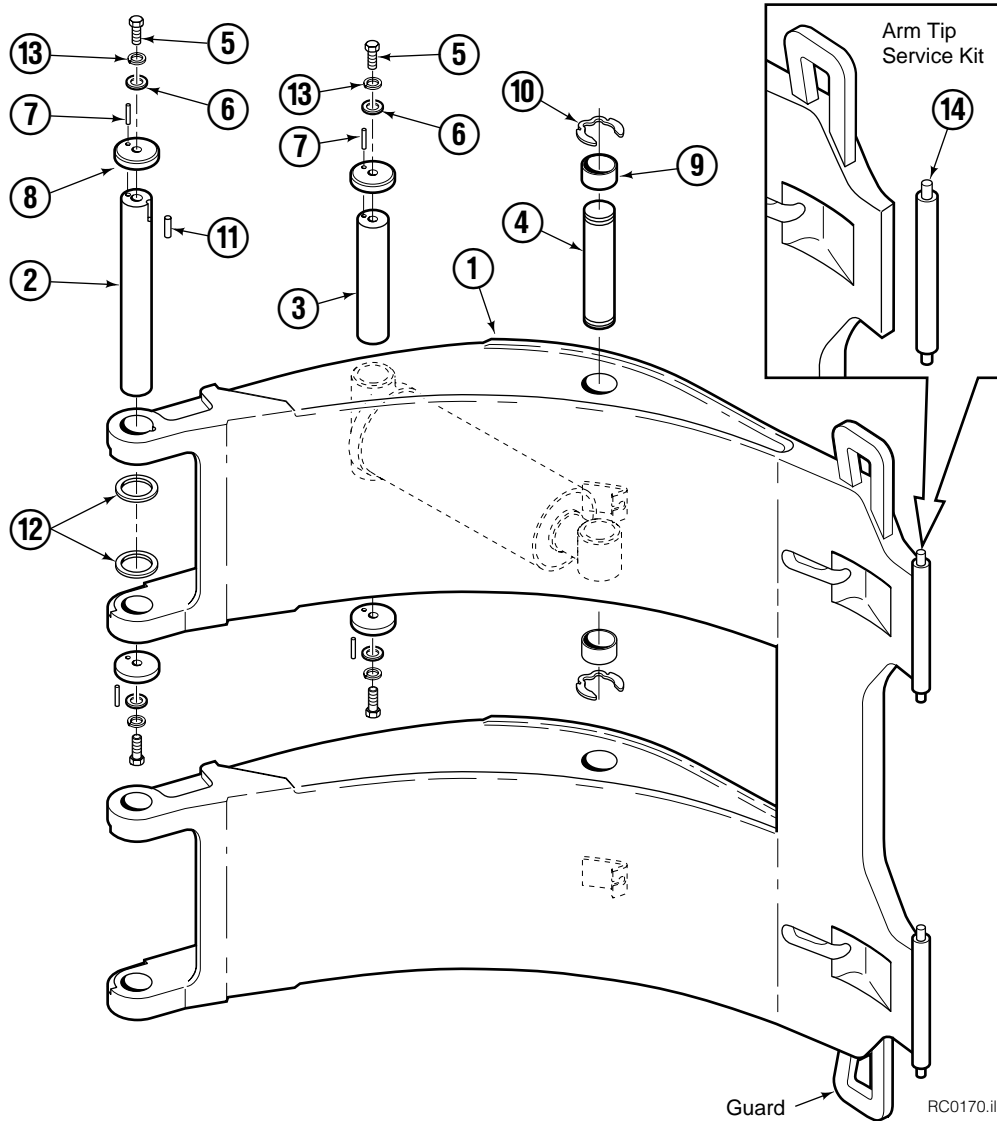
■ Maximum roll handling capacity.

Common Parts

| REF | QTY | PART NO. | DESCRIPTION | REF | QTY | PART NO. | DESCRIPTION |
|-----|-----|----------|------------------------|-----|-----|----------|--|
| | | 212933 | Common Parts Group | 11 | 2 | 212382 | Dowel Pin, 8x16 mm |
| 2 | 2 | 209982 | Arm Pivot Pin | 12 | 16 | 209941 | Shim - .062 in. |
| 3 | 2 | 209983 | Cylinder Pivot Pin | 13 | 8 | 681238 | Lockwasher |
| 4 | 2 | 4175-150 | Cylinder Rod Pivot Pin | 14 | 1 | 212902 | Arm Tip Service Kit |
| 5 | 8 | 215480 | Capscrew, M10x1.5x25 | | | 212905 | Bearing Service Kit (items 9, 10) |
| 6 | 8 | 209021 | Washer, M10 | | | 212906 | Pin Service Kit (items 2-8, 10-13) |
| 7 | 8 | 769009 | Roll Pin | | | 212907 | Pin Service Kit (items 2, 5-8, 11, 13) |
| 8 | 8 | 209985 | Cap | | | 212908 | Pin Service Kit (items 3, 5-8) |
| 9 | 4 | 210080 | Bearing | | | 212909 | Pin Service Kit (items 4, 9, 10) |
| 10 | 4 | 209986 | Retaining Ring | | | | |

Reference: S-4172, S-4173.

Long Arm



| 72G | | | |
|-----|-----|----------------------|---------------------|
| REF | QTY | 60 in. ■ PART NO. | DESCRIPTION |
| | | 221782 | Arm Group w/o Guard |
| 1 | 1 | 221789 | Long Arm w/o Guard |

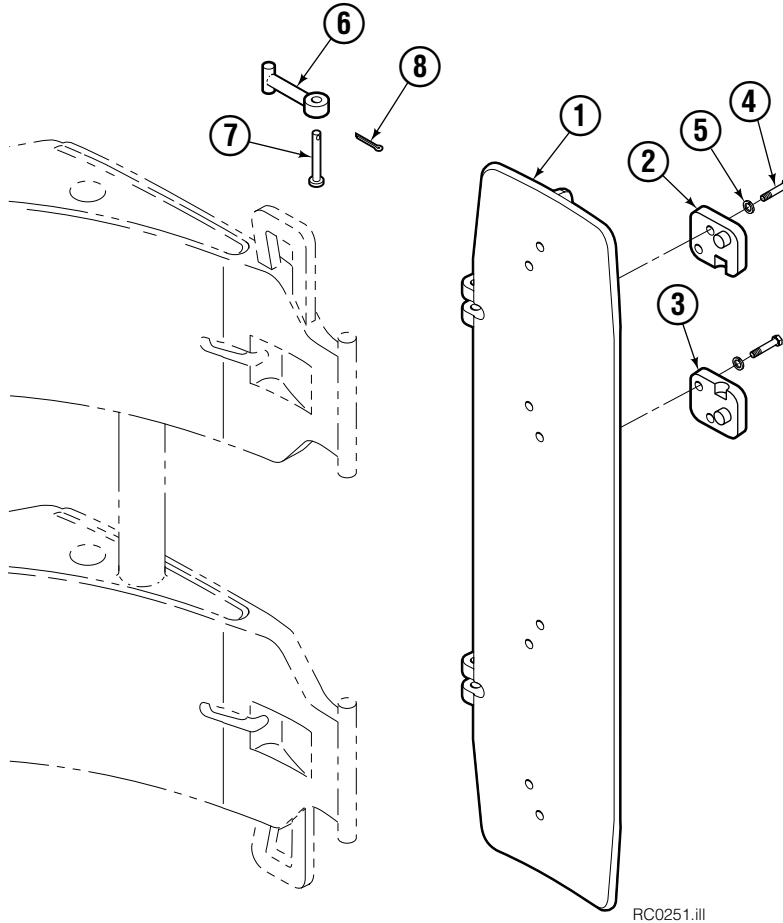
■ Maximum roll handling capacity.

Common Parts

| REF | QTY | PART NO. | DESCRIPTION | REF | QTY | PART NO. | DESCRIPTION |
|-----|-----|----------|------------------------|-----|-----|----------|--|
| | | 212933 | Common Parts Group | 11 | 2 | 212382 | Dowel Pin, 8x16 mm |
| 2 | 2 | 209982 | Arm Pivot Pin | 12 | 16 | 209941 | Shim - .062 in. |
| 3 | 2 | 209983 | Cylinder Pivot Pin | 13 | 8 | 681238 | Lockwasher |
| 4 | 2 | 4175-150 | Cylinder Rod Pivot Pin | 14 | 1 | 212902 | Arm Tip Service Kit |
| 5 | 8 | 215480 | Capcrew, M10x1.5x25 | | | 212905 | Bearing Service Kit (items 9, 10) |
| 6 | 8 | 209021 | Washer, M10 | | | 212906 | Pin Service Kit (items 2-8, 10-13) |
| 7 | 8 | 769009 | Roll Pin | | | 212907 | Pin Service Kit (items 2, 5-8, 11, 13) |
| 8 | 8 | 209985 | Cap | | | 212908 | Pin Service Kit (items 3, 5-8) |
| 9 | 4 | 210080 | Bearing | | | 212909 | Pin Service Kit (items 4, 9, 10) |
| 10 | 4 | 209986 | Retaining Ring | | | | |

Reference: S-4172, S-4173.

Pad Group – Short Arm



RC0251.iii

| 60G | | | |
|-----|-----|----------|--------------------|
| REF | QTY | 60 in. ■ | DESCRIPTION |
| | | PART NO. | |
| | | 209883 | Standard Pad Group |
| 1 | 1 | 209895 | Pad, Standard |

■ Maximum roll handling capacity.

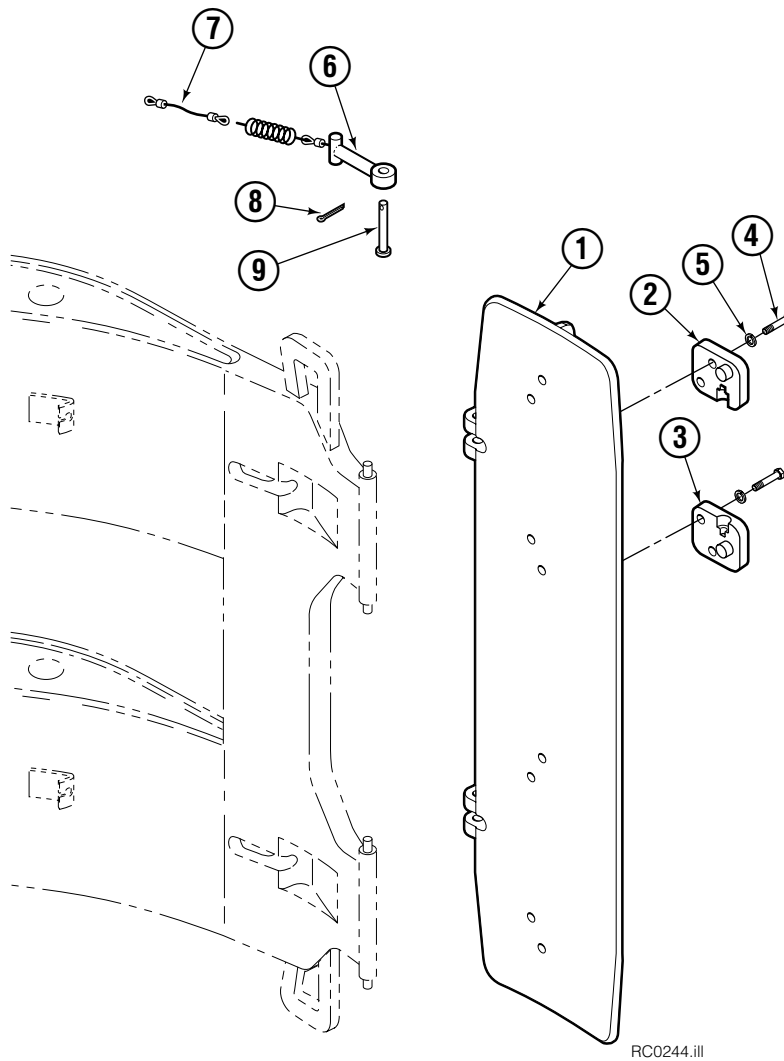
Common Parts

| REF | QTY | PART NO. | DESCRIPTION | REF | QTY | PART NO. | DESCRIPTION |
|-----|-----|----------|--------------------------------|-----|-----|----------|-----------------|
| | | 212935 | Common Parts Group – Short Arm | 5 | 8 | 681473 | Lockwasher, M12 |
| 2 | 2 | 209904 | Retainer – RH ▲ | 6 | 2 | 209909 | Link |
| 3 | 2 | 209905 | Retainer – LH ▲ | 7 | 2 | 674265 | Clevis Pin |
| 4 | 8 | 763021 | Cap screw, M12 x 30 | 8 | 2 | 6525 | Cotter Pin |

▲ Driver's view, clamp in horizontal position, Short Arm up.

Reference: S-4176, S-4177.

Pad Group – Long Arm



RC0244.ill

| 60G | | | |
|-----|-----|----------|--------------------|
| REF | QTY | 60 in. ■ | DESCRIPTION |
| | | PART NO. | |
| | | 209882 | Standard Pad Group |
| 1 | 1 | 209895 | Pad, Standard |

■ Maximum roll handling capacity.

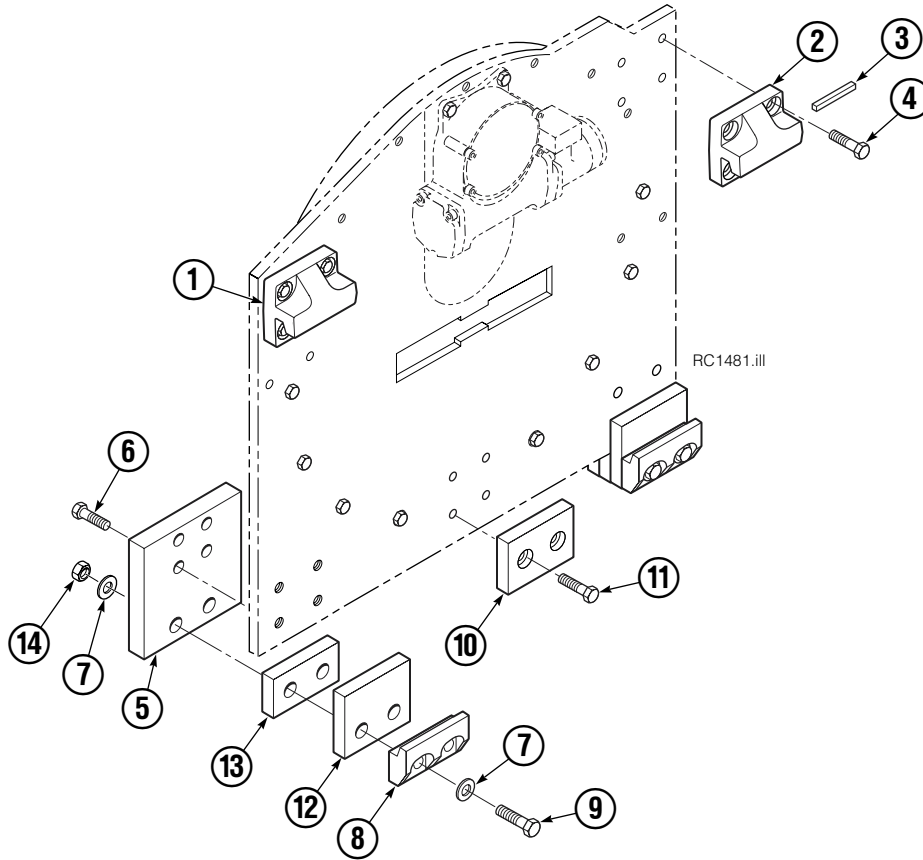
Common Parts

| REF | QTY | PART NO. | DESCRIPTION | REF | QTY | PART NO. | DESCRIPTION |
|-----|-----|----------|-------------------------------|-----|-----|----------|-------------|
| | | 212931 | Common Parts Group – Long Arm | 6 | 2 | 209916 | Link |
| 2 | 2 | 211997 | Retainer – RH ▲ | 7 | 2 | 4182-110 | Cable |
| 3 | 2 | 211998 | Retainer – LH ▲ | 8 | 2 | 674265 | Clevis Pin |
| 4 | 8 | 763021 | Capscrew, M12 x 30 | 9 | 2 | 6525 | Cotter Pin |
| 5 | 8 | 681473 | Lockwasher, M12 | | | | |

▲ Driver's view, clamp in horizontal position, Short Arm up.

Reference: S-4176, S-4177.

Mounting Group



| Class IV, 2° | | | |
|--------------|-----|----------|--------------------|
| REF | QTY | PART NO. | DESCRIPTION |
| | | 3009574 | Mounting Group |
| 1 | 1 | 675061 | Upper Hook – RH |
| 2 | 1 | 675062 | Upper Hook – LH |
| 3 | 1 | 670704 | Stop Kit |
| 4 | 8 | 679082 | Capscrew, M20 x 35 |
| 5 | 2 | 6001039 | Extension Plate |
| 6 | 8 | 685677 | Capscrew, M16 x 45 |
| 7 | 8 | 670692 | Washer |
| 8 | 2 | 679832 | Lower Hook |
| 9 | 4 | 684596 | Capscrew, M20 x 90 |
| 10 | 1 | 3009573 | Center Spacer |
| 11 | 2 | 219246 | Capscrew, M12 x 25 |
| 12 | 2 | 3009572 | Spacer |
| 13 | 2 | 3009571 | Spacer |
| 14 | 4 | 769150 | Nut, M20 |

Do you have questions you need answered right now? Call your nearest Cascade Parts Department. Visit us online at www.cascorp.com

Cascade Corporation
2501 Sheridan Avenue
Springfield, OH 45505
Tel: 888-CASCADE (227-2233)
FAX: 888-329-0234

Cascade Canada Inc.
5570 Timberlea Blvd.
Mississauga, Ontario
Canada L4W-4M6
Tel: 905-629-7777
FAX: 905-629-7785

Cascade GmbH
D-41199 Monchengladbach
Klosterhofweg 52
Germany
Tel: 49-216-668230
FAX: 49-216-6682323

Cascade Finland
Albert Petreliuksenkatu 3
01370 Vantaa
Finland
Tel: 358-9-836-1925
FAX: 358-9-836-1935

**Cascade N.V.
European Headquarters**
P.O. Box 3009
1300 El Almere
Damluisweg 56
1332 ED Almere
The Netherlands
Tel: 31-36-5492911
FAX: 31-36-5492964

**Cascade N.V.
Benelux Sales and Service**
P.O. Box 3009
1300 El Almere
Damluisweg 56
1332 ED Almere
The Netherlands
Tel: 31-36-5492950
FAX: 31-36-5492974

Cascade (UK) Ltd.
15, Orgreave Crescent
Dore House Industrial Estate
Handsworth
Sheffield S13 9NQ
England
Tel: 742-697524
FAX: 742-695121

Cascade Scandinavia AB
Box 124
Hammarvägen 10
567 23 Vaggeryd
Sweden
Tel: 42-0-393-36950
FAX: 46-0-393-36959

Cascade Norway
Østerliveien 37A
1153 Oslo
Norway
Tel: 47-22-743160
FAX: 47-22-743157

Cascade France S.A.R.L.
1D Rue De Charaintru
BP 18, 91360 Epinay-Sur-Orge
Morangis Cedex, France
Tel: 33-1- 64547500
FAX: 33-1-64547501

Cascade Hispania S.A.
Carrer 5 Sector C
Zona Franca Duanera
Poligono de la Zon Franca
08040 Barcelona, Spain
Office No. 256
Tel: 93-264-07-30
FAX: 93-264-07-31

Cascade Japan Ltd.
5-5-41,
Torikai Kami
Settsu, Osaka
Japan, 566
Tel: 81-726-53-3490
FAX: 81-726-53-3497

Cascade Korea
108B, Namdong Ind Complex
658-3 Gojan-Dong
Namdong-Gu
Inchon, 405-310 Korea
Tel: 82-32-821-2051
FAX: 82-32-821-2055

Cascade Australia
1445 Ipswich Road
Rocklea, QLD 4106
Australia
Tel: 1-800227-223
FAX: (07) 3373-7333

Cascade New Zealand
15 Ra Ora Drive
East Tamaki, Auckland
New Zealand
Tel: 9-273-9136
FAX: 9-273-9137

Cascade (Africa) Pty. Ltd.
P.O. Box 625, Isando 1600
60A Steel Road
Sparton, Kempton Park
South Africa
Tel: 27-11-975-9240
FAX: 27-11-394-1147

Cascade-Xiamen
No. 668 Yangguang Rd.
Xinyang Industrial Zone
Haicang, Xiamen City
Fujian Province
P.R. China 361026
Tel: 86-592-651-2500
FAX: 86-592-651-2571

**Cascade (Singapore)
Trading Co.**
Four Seasons Park
Autumn Block - Apt. 1802
12 Cuscaden Walk
Singapore
Tel: 65-834-1935
FAX: 65-834-1936

