



Parts Manual

Model _____ Fork Clamp _____

Catalog Number _____ 50D-CFB-194 _____

cascade®
corporation

For Technical Assistance call: 800-227-2233, Fax: 888-329-8207

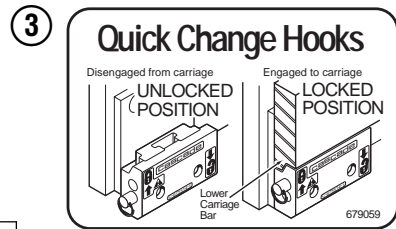
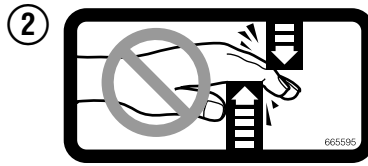
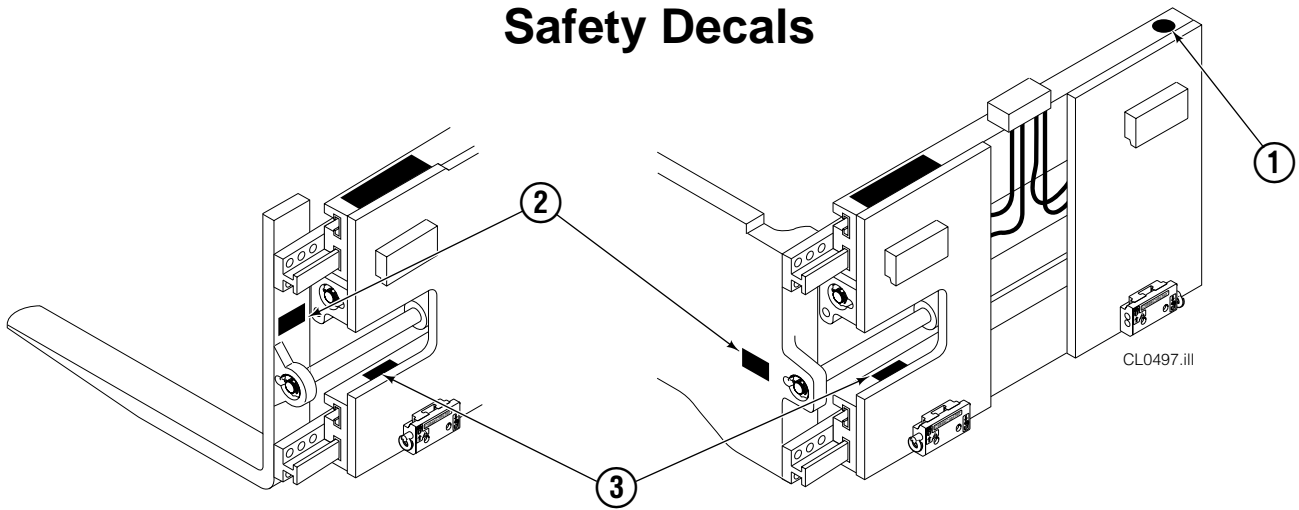
To Order Parts call: 888-227-2233, Fax: 888-329-0234

OR

Write: Cascade Corporation, P.O. Box 20187, Portland, OR 97220

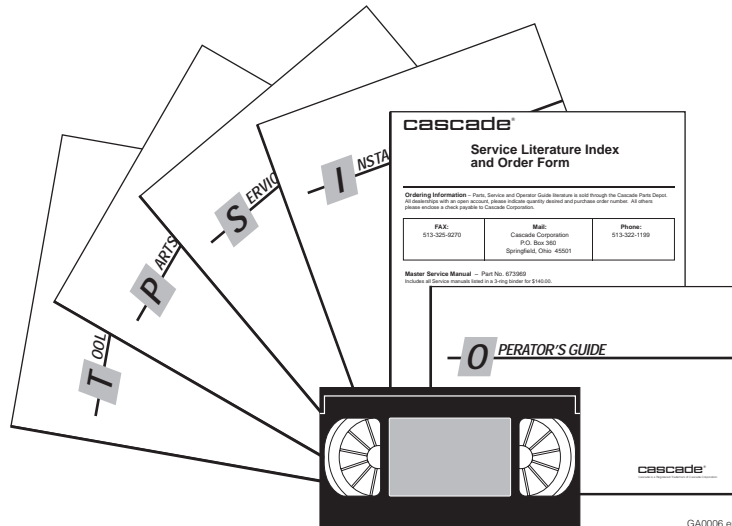
Internet: www.cascorp.com

Safety Decals



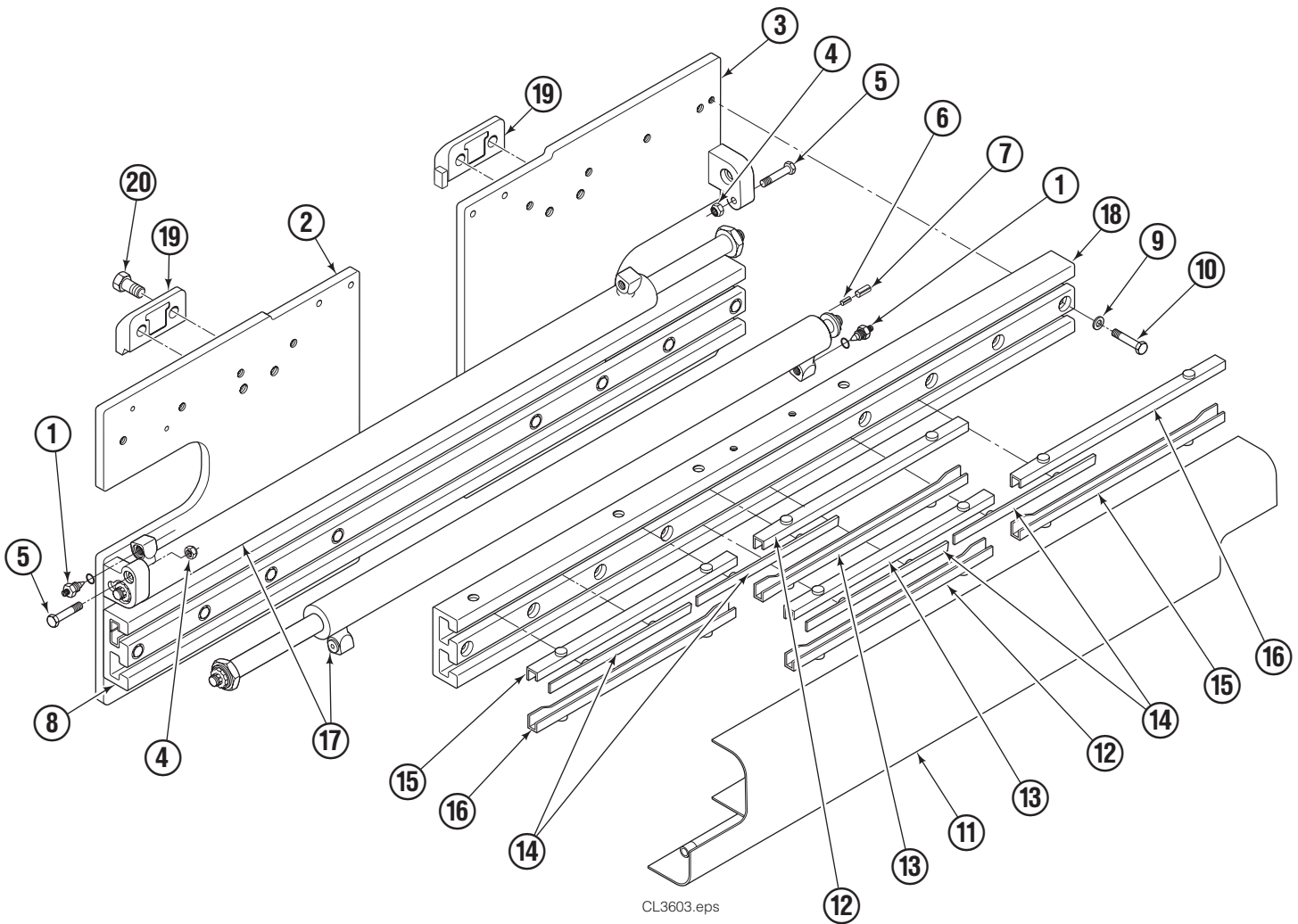
REF	QTY	PART NO.	DESCRIPTION
1	1	679150	No Step Decal
2	2	665595	No Hand Hold Decal
3	1	679059	Quick Change Hook Decal

Publications



PART NO.	DESCRIPTION
669224	Service Manual
672944	Operators Guide
668987	Installation Instructions
680664	Servicing Cascade Cylinders-VHS
679929	Tool Catalog
673964	Literature Index Order Form

Base Unit Group

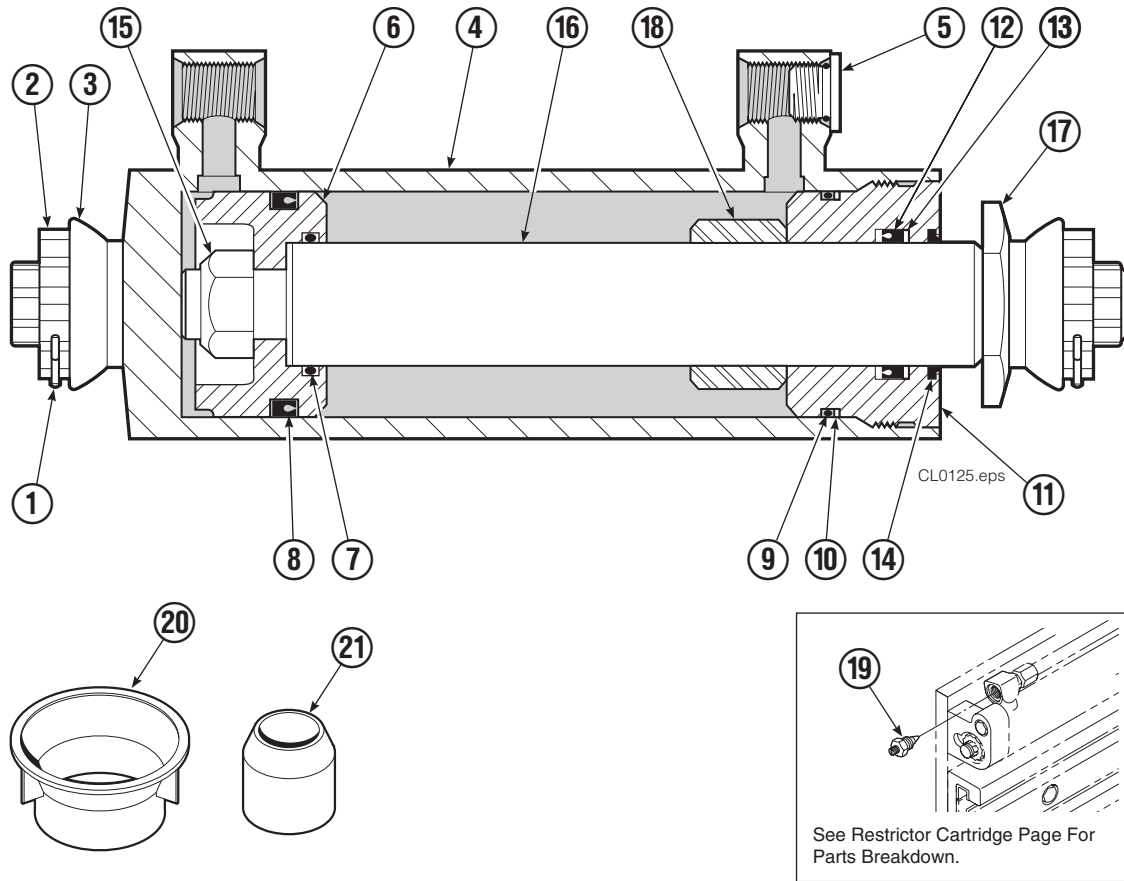


40D							
REF	QTY	PART NO.	DESCRIPTION	REF	QTY	PART NO.	DESCRIPTION
		389172	Base Unit Group	11	1	207318	Bumper
1	2	667609	Restrictor Cartridge ●	12	4	672610	Bearing
2	1	207396	Mounting Plate – RH	13	4	672609	Bearing
3	1	207395	Mounting Plate – LH	14	4	667663	Bearing
4	2	665707	Nut, 1/2	15	4	671851	Bearing
5	2	640699	Capscrew, 1/2 x 2.75	16	4	671852	Bearing
6	2	7882	Roll Pin – Inner	17	2	389123	Cylinder ◆
7	2	7961	Roll Pin – Outer	18	1	207394	Frame – Upper
8	2	207325	Frame – Lower	19	1	210491	Hook – RH
9	16	667225	Washer, 5/8		1	6002330	Hook – LH
10	16	667644	Capscrew, 5/8 x 3.25	20	4	768577	Capscrew, M20 x 35

● See Restrictor Cartridge page for parts breakdown.
Not included in Base Unit Group.

◆ See Cylinder page for parts breakdown.
Reference: Common Parts Group 389173, SK-5839.

Cylinder Assembly

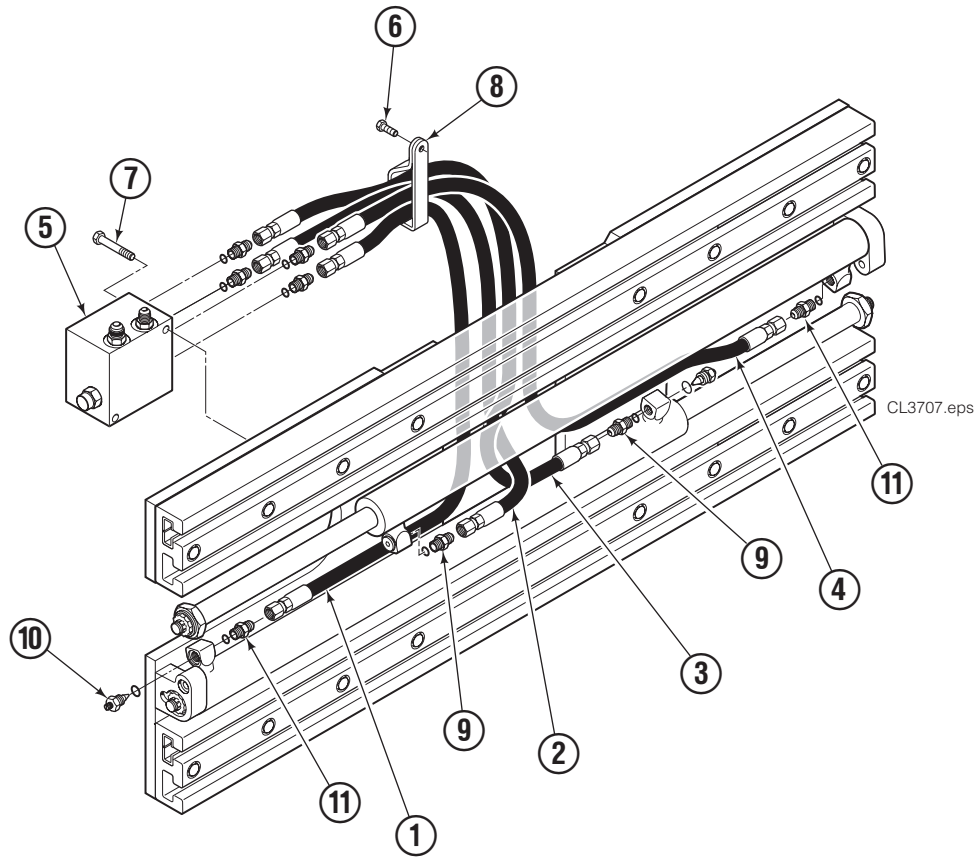


40D							
REF	QTY	PART NO.	DESCRIPTION	REF	QTY	PART NO.	DESCRIPTION
		389123	Cylinder Assembly	12	1	662451	▲ Seal
1	2	6511	■ Cotter Pin	13	1	638246	▲ Nylon Ring
2	2	667667	■ Retainer	14	1	564930	▲ Wiper
3	2	667668	■ Nut	15	1	561012	Nut
4	1	565202	Shell	16	1	565203	Rod
5	1	602580	Fitting	17	1	667676	Washer
6	1	558402	Piston	18	1	—	Spacer
7	1	2722	▲ O-Ring	19	1	667609	Restrictor Cartridge ●
8	1	662457	▲ Seal	20	1	671049	▲ Seal Loader, Piston
9	1	2791	▲ O-Ring	21	1	671052	▲ Seal Loader, Retainer
10	1	615134	▲ Back-Up Ring			667723	Service Kit
11	1	667675	Retainer				

■ Included in Nut Service Kit 668925.
Reference: S-7642, S-7666.

▲ Included in Service Kit 667723.
● Not included in Cylinder Assembly.

Valve Group



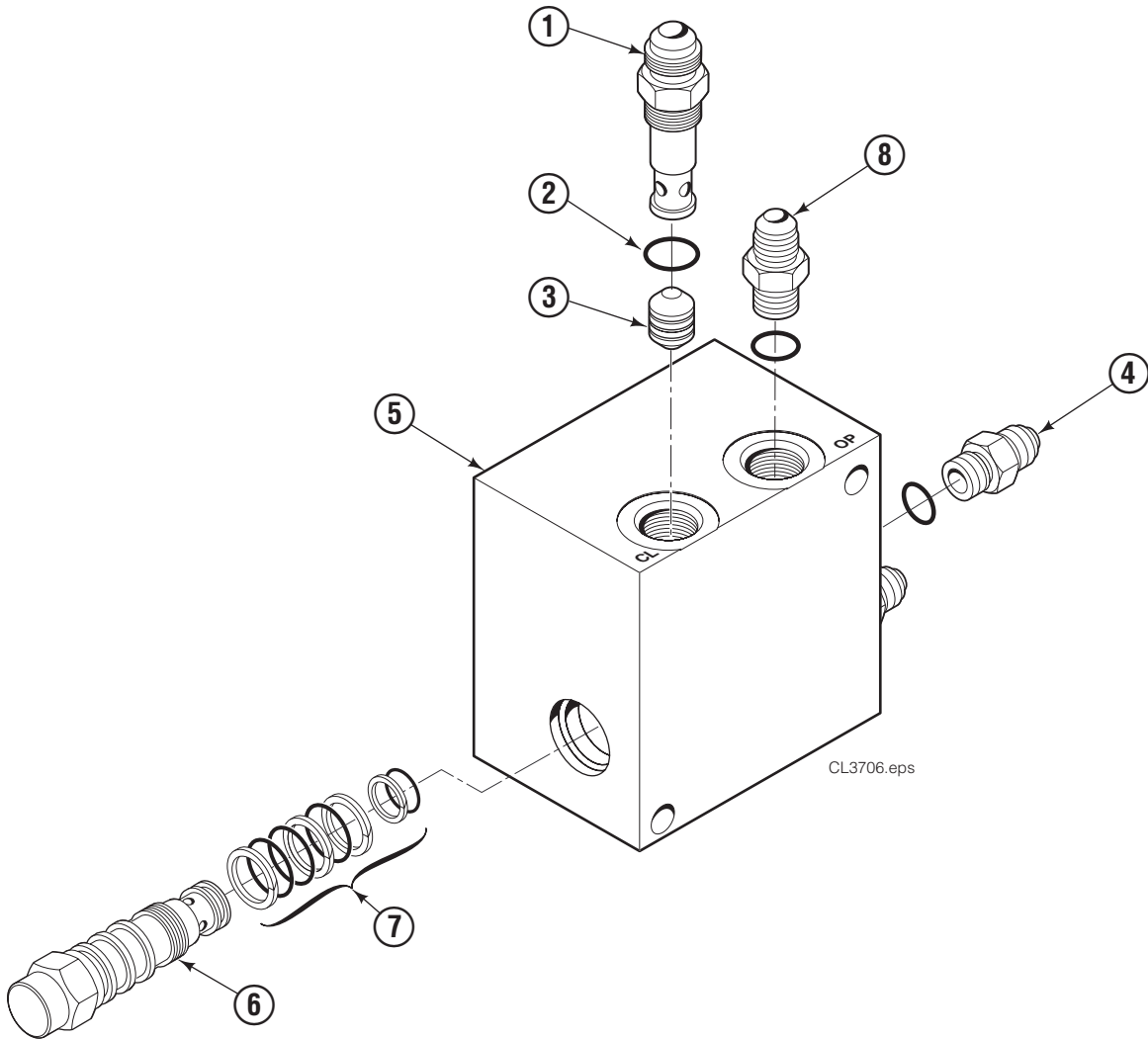
40D			
REF	QTY	PART NO.	DESCRIPTION
		207397	Valve Group
1	1	206742	Hose, 52.75 in.
2	1	675067	Hose, 34.00 in.
3	1	680053	Hose, 37.00 in.
4	1	350637	Hose, 56.75 in.
5	1	6052742	Valve Assembly ◆
6	1	3651	Capscrew, 1/2 x .75
7	2	8601	Capscrew, 3/8 x 3.50
8	1	204404	Hose Bracket
9	2	686369	Fitting
10	2	667609	Restrictor Cartridge ●
11	2	611288	Fitting, 6-8

◆ See Valve Assembly page for parts breakdown.

● See Restrictor Cartridge page for parts breakdown.

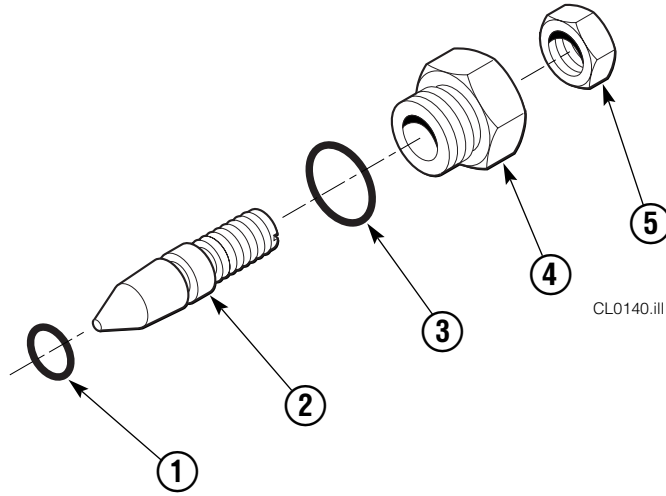
Reference: SK-5860.

Check Valve



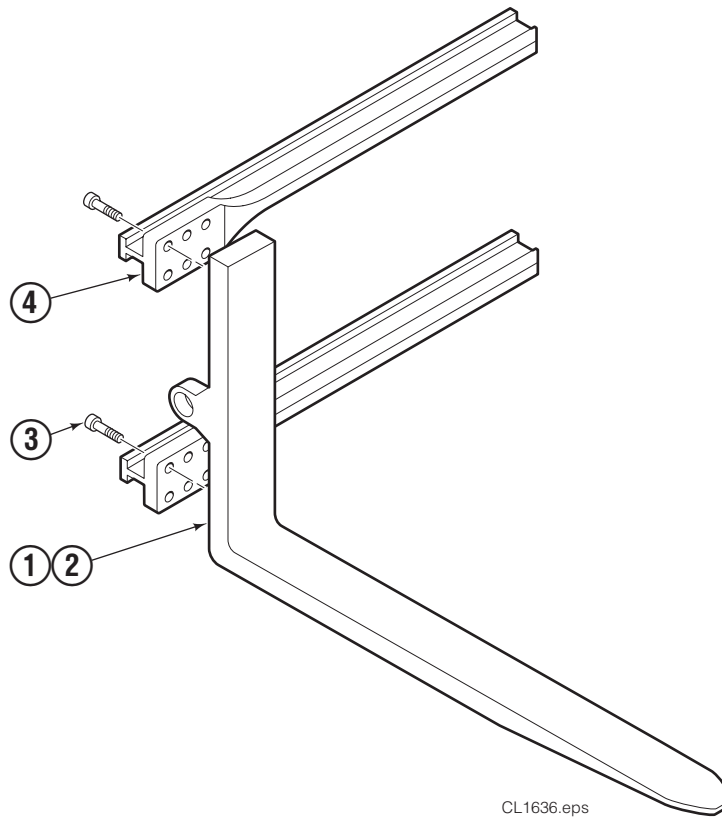
REF	QTY	PART NO.	DESCRIPTION
		6052742	Check Valve – Non-Sideshifting
1	1	667490	Special Fitting
2	1	2841	O-Ring
3	1	667471	Spool
4	4	604511	Fitting, 6-6
5	1	6052663	Valve Body
6	1	204922	Check Valve – VPO
7	1	1808326	Cartridge Service Kit
8	1	601377	Fitting, 8-8

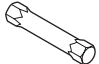
Restrictor Cartridge



REF	QTY	PART NO.	DESCRIPTION
		667609	Restrictor Cartridge
1	1	2701	O-Ring
2	1	667611	Plunger
3	1	2841	O-Ring
4	1	667610	Plug - Special
5	1	5716	Jam Nut

Bolt-On Fork Group

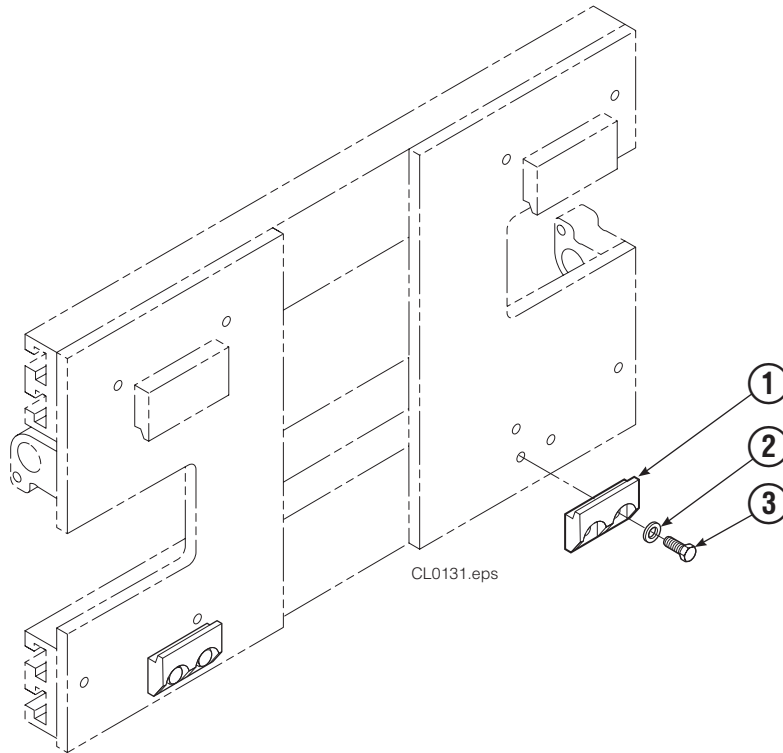


ARM CAPSCREW EXTENSION TOOL Required for Proper Torquing of Capscrews		
	50D	667699

50D			
REF	QTY	PART NO.	DESCRIPTION
		324401	Fork Group ♦
1	1	324416	Fork Weldment – LH
2	1	324417	Fork Weldment – RH
3	24	607105	Capscrew, 3/4 x 2.00
4	4	èí €â€p	Arm Bar

♦ Includes items 1 – 3 only.
Reference: S-7773, S-7774.

Bolt-On Mounting Group



Class II

REF	QTY	PART NO.	DESCRIPTION
		678934	Mounting Group
1	2	675968	Lower Hook
2	4	667225	Washer, 5/8
3	4	667369	Capscrew, 5/8 x 1.25

Recommended Spare Parts List

Fork Clamp - 50D-CFB-194				
PART NUMBER	DESCRIPTION	ATTACHMENTS SERVICED		
		1-5	6-19	20-50
BASE UNIT GROUP				
207325	Frame-Upper	0	1	2
207325	Frame-Lower	0	1	2
207318	Bumper	0	0	1
672610	Bearing	4	8	12
667663	Bearing	4	8	12
672609	Bearing	4	8	12
671851	Bearing	4	8	12
671852	Bearing	4	8	12
599489	Graphite Lubricant, 16 oz. Aerosol	2	4	6
CYLINDER				
389123	Cylinder Assembly	0	0	1
565202	Shell	0	1	1
558402	Piston	0	0	2
667675	Retainer	0	0	2
565203	Rod	0	1	2
668925	Nut Kit	0	2	4
667723	Service Kit	2	4	8
VALVE GROUP				
6052742	Check Valve Non-Sideshift	0	0	1
1808326	Service Kit-VPO	1	2	4
204922	Check Valve-VPO	1	1	2
206742	Hose	0	1	2
675067	Hose	0	1	2
680053	Hose	0	1	2
350637	Hose	0	1	2
MOUNTING				
667369	Capscrew	0	4	8
675968	Lower Hook	0	4	8
PAINT				
685660	12 oz. Aerosol Heritage White	1	1	1
PUBLICATIONS				
	Parts Manual	1	1	1
669224	Service Manual	1	1	1
668987	Installation Instruction	1	1	1
672944	Operator's Guide	1	1	1
679929	Tool Catalog	1	1	1
VIDEOS				
680664	Servicing Cascade Cylinders	1	1	1

Do you have questions you need answered right now?

Call your nearest Cascade Parts Department.

Visit us online at www.cascorp.com

AMERICAS

**Cascade Corporation
Parts Sales**

2501 Sheridan Ave.
Springfield, OH 45505
Tel: 888-CASCADE (227-2233)
Fax: 888-329-0234

Cascade Canada Inc.

5570 Timberlea Blvd.
Mississauga, Ontario
Canada L4W-4M6
Tel: 905-629-7777
Fax: 905-629-7785

Cascade do Brasil

Rua João Guerra, 134
Macuco, Santos - SP
Brasil 11015-130
Tel: 55-13-2105-8800
Fax: 55-13-2105-8899

EUROPE-AFRICA

**Cascade Italia S.R.L.
European Headquarters**

Via Dell'Artigianato 1
37030 Vago di Lavagno (VR)
Italy
Tel: 39-045-8989111
Fax: 39-045-8989160

Cascade (Africa) Pty. Ltd.

PO Box 625, Isando 1600
60A Steel Road
Sparton, Kempton Park
South Africa
Tel: 27-11-975-9240
Fax: 27-11-394-1147

ASIA-PACIFIC

Cascade Japan Ltd.

2-23, 2-Chome,
Kukuchi Nishimachi
Amagasaki, Hyogo
Japan, 661-0978
Tel: 81-6-6420-9771
Fax: 81-6-6420-9777

Cascade Korea

121B 9L Namdong Ind.
Complex, 691-8 Gojan-Dong
Namdong-Ku
Inchon, Korea
Tel: +82-32-821-2051
Fax: +82-32-821-2055

Cascade-Xiamen

No. 668 Yangguang Rd.
Xinyang Industrial Zone
Haicang, Xiamen City
Fujian Province
P.R. China 361026
Tel: 86-592-651-2500
Fax: 86-592-651-2571

**Cascade India Material
Handling Private Limited**

No 34, Global Trade Centre
1/1 Rambaugh Colony
Lal Bahadur Shastri Road,
Navi Peth, Pune 411 030
(Maharashtra) India
Phone: +91 020 2432 5490
Fax: +91 020 2433 0881

Cascade Australia Pty. Ltd.

1445 Ipswich Road
Rocklea, QLD 4107
Australia
Tel: 1-800-227-223
Fax: +61 7 3373-7333

Cascade New Zealand

15 Ra Ora Drive
East Tamaki, Auckland
New Zealand
Tel: +64-9-273-9136
Fax: +64-9-273-9137

**Sunstream Industries
Pte. Ltd.**

18 Tuas South Street 5
Singapore 637796
Tel: +65-6795-7555
Fax: +65-6863-1368

