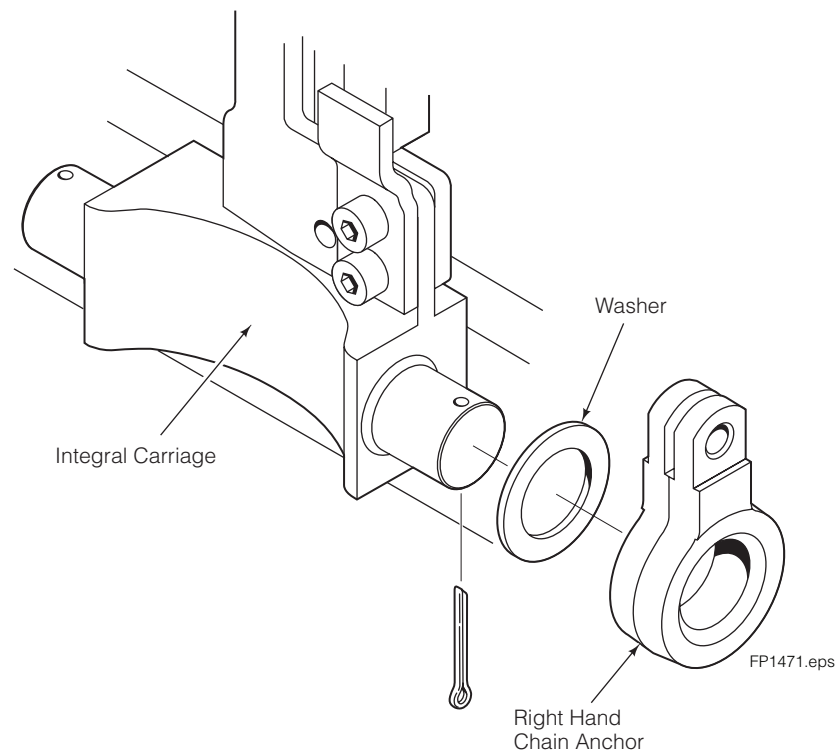




Installation Instructions

Integral Carriage Washer Service Kit 6804007

This sheet describe installing a washer on C-Series Integral Carriages. Prior to installing the carriage right hand chain anchor, the washer must be installed to eliminate chain interference with mast components.



NOTE: This information should not be interpreted as the basis for warranty claims unless so designated.

cascade[®]
corporation

For Technical Support . . .

Call: 1-800-227-2233 Fax: 1-888-329-8207
Internet: www.cascorp.com
Write: Cascade Corporation, PO Box 20187, Portland, OR 97294

To Order Parts . . .

Call: 1-888-227-2233 Fax: 1-888-329-0234
Internet: www.cascorp.com
Write: Cascade Corporation, 2501 Sheridan Ave., Springfield, OH 45505