

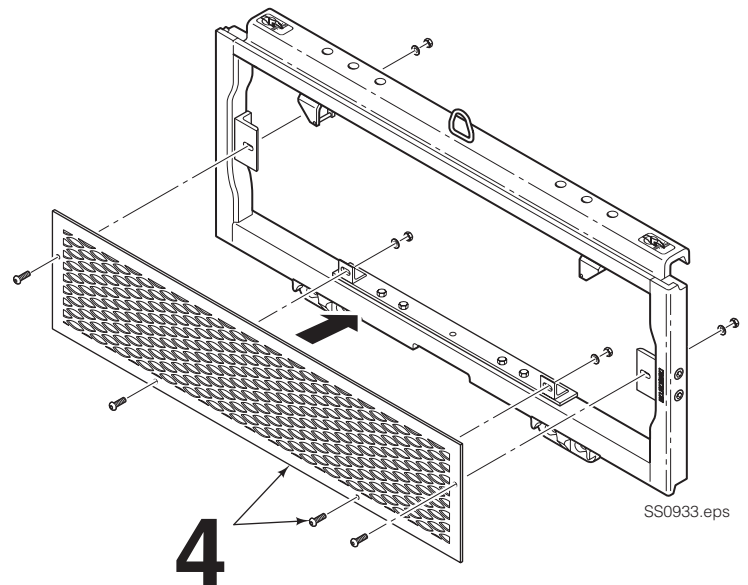
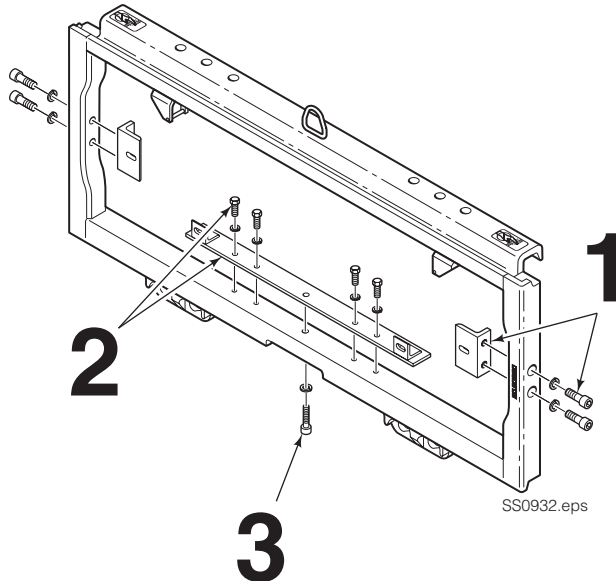


# Installation Instructions

## Sideshifter Guard Kit 6087365

This sheet provides instructions for field installing a hydraulic component guard to a 55F Sideshifter. The kit contains fasteners and brackets to mount the guard.

- 1** Mount the angle brackets to the sides of the frame so that the brackets are inline with the front face of the frame. Tighten capscrews to 50 ft.-lbs. (60 Nm).
- 2** Mount the bracket to the inner bottom of the frame. Tighten the capscrews 15 ft.-lbs. (20 Nm).
- 3** Install the capscrew to the bottom of the frame. Tighten to 25 ft.-lbs. (35 Nm).
- 4** Install the guard on the frame. Tighten the capscrews to 15 ft.-lbs. (20 Nm).



**NOTE:** This information should not be interpreted as the basis for warranty claims unless so designated.

**cascade**<sup>®</sup>  
**corporation**

**For Technical Support . . .**

Call: 1-800-227-2233 Fax: 1-888-329-8207  
Internet: [www.cascorp.com](http://www.cascorp.com)  
Write: Cascade Corporation, PO Box 20187, Portland, OR 97294

**To Order Parts . . .**

Call: 1-888-227-2233 Fax: 1-888-329-0234  
Internet: [www.cascorp.com](http://www.cascorp.com)  
Write: Cascade Corporation, 2501 Sheridan Ave., Springfield, OH 45505