



# Parts Manual

---

Model Fork Positioner

Serial Number 100C-HB-027

---

**cascade**<sup>®</sup>  
corporation

**For Technical Assistance call:** 800-227-2233, Fax: 888-329-8207

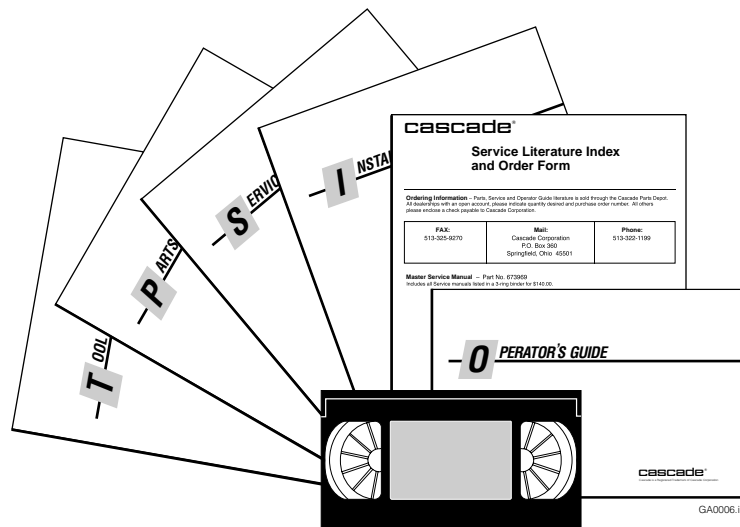
**To Order Parts call:** 888-227-2233, Fax: 888-329-0234

**OR**

**Write:** Cascade Corporation, P.O. Box 20187, Portland, OR 97220

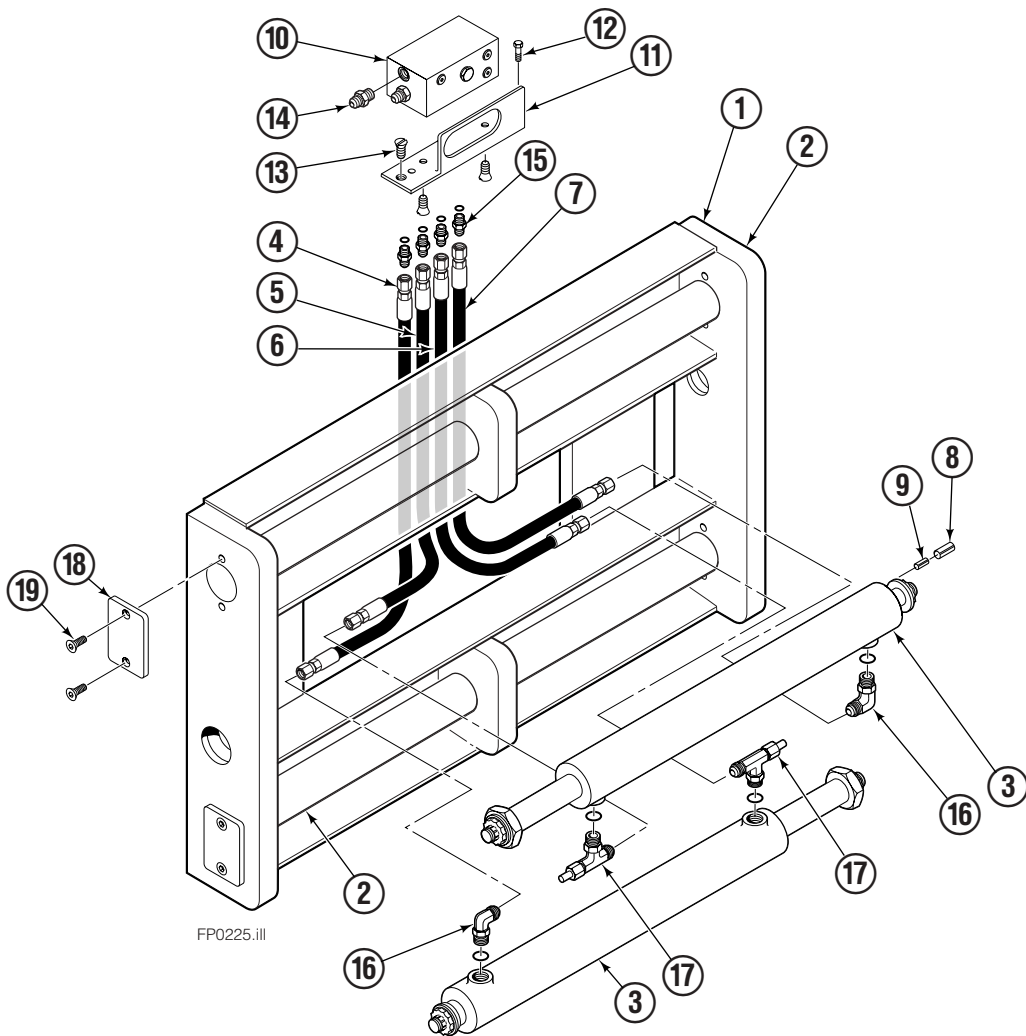
**Internet:** [www.cascorp.com](http://www.cascorp.com)

# Publications



<b>100C</b>	
<b>PART NO.</b>	<b>DESCRIPTION</b>
	Parts Manual
	Service Manual
219989	Operators Guide
219990	Installation Instructions
680664	Servicing Cascade Cylinders-VHS
679929	Tool Catalog
673964	Literature Index Order Form

# Frame Group



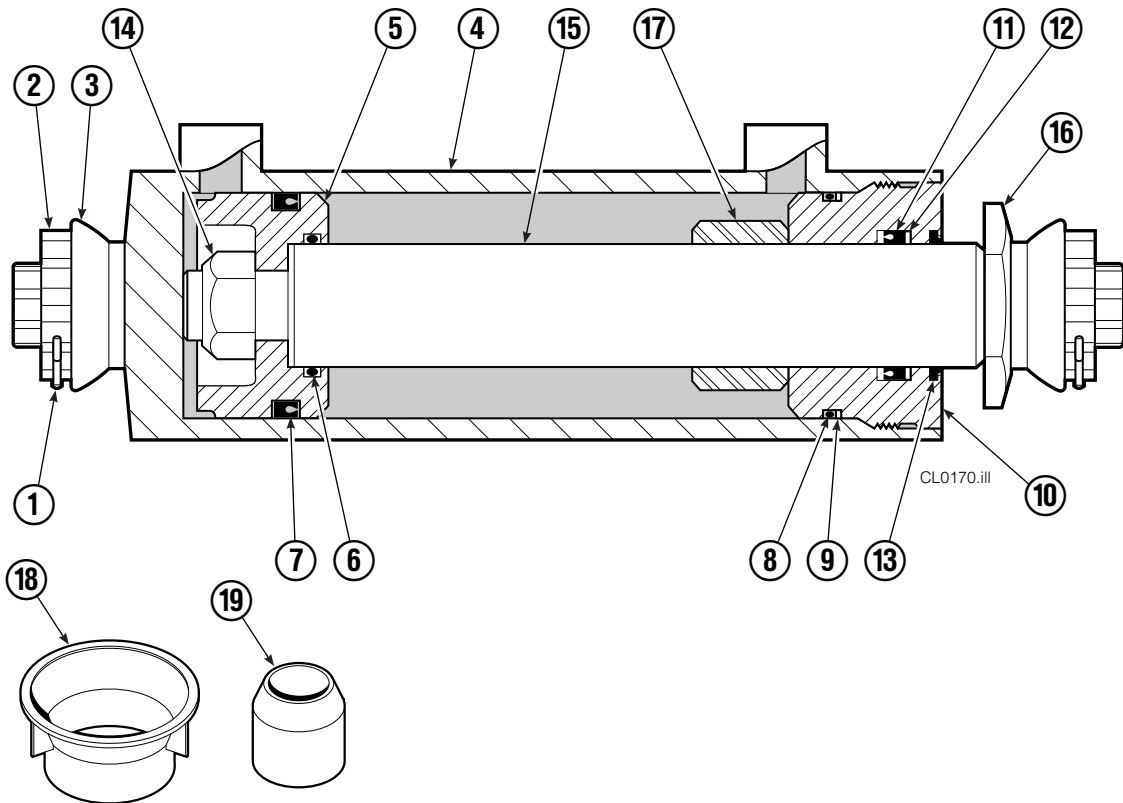
## 100C

REF	QTY	PART NO.	DESCRIPTION	REF	QTY	PART NO.	DESCRIPTION
		3002602	Frame Group, 72 in.	10	1	668861	Valve ■
		384642	Hose Group (items 4-7)	11	1	844137	Bracket
1	1	3002603	Frame	12	1	643524	Capscrew, .375 x .75
2	2	829226	Shaft	13	3	4750	Capscrew, .375 x .75
3	2	381450	Cylinder ◆	14	1	601377	Fitting, 8-8
4	1	675057	Hose, 43.5 in.	15	4	611288	Fitting, 6-8
5	1	201264	Hose, 67 in.	16	2	601676	Fitting, 6-6
6	1	201264	Hose, 67 in.	17	2	617487	Restrictor ★
7	1	675057	Hose, 43.5 in.	18	4	826123	Cover Plate ●
8	2	7961	Roll Pin	19	8	4771	Capscrew, .375 x 1.00 ●
9	2	7882	Roll Pin				

- ◆ See Cylinder page for parts breakdown.
- See Valve page for parts breakdown.
- ★ See Restrictor page for parts breakdown.

- Included in Retainer Group 214679.
- Reference: Hydraulic Group 381520, S-8619, S-8704.

# Cylinder



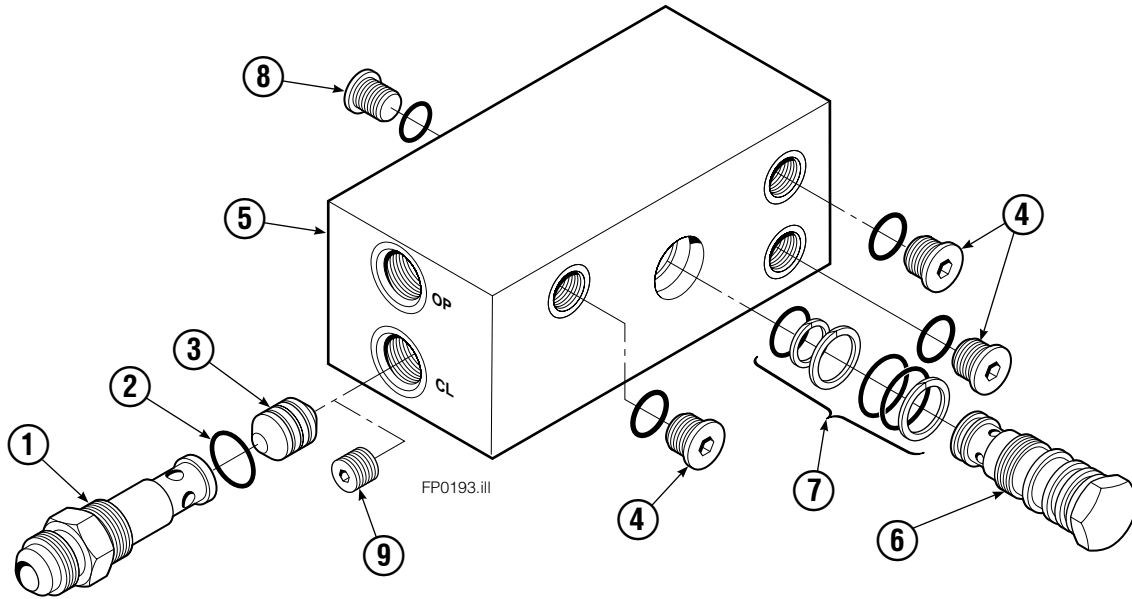
100C			
REF	QTY	PART NO.	DESCRIPTION
		384150	Cylinder Assembly
1	2	6511	Cotter Pin ■
2	2	667667	Retainer ■
3	2	667668	Nut ■
4	1	584428	Shell
5	1	558402	Piston
6	1	2722	O-Ring ✕
7	1	557376	Seal ✕
8	1	2791	O-Ring ✕
9	1	615134	Back-Up Ring ✕
10	1	667675	Retainer
11	1	662451	Seal ✕
12	1	638246	Nylon Ring ✕
13	1	628047	Wiper ✕
14	1	561012	Nut
15	1	564954	Rod
16	1	667676	Washer
17	1	829238	Spacer
18	1	671049	Seal Loader, Piston ✕
19	1	671052	Seal Loader, Retainer ✕
		667723	Service Kit

✕ Included in Service Kit.

■ Included in Nut Service Kit 668925.

Reference: S-5564, S-5565

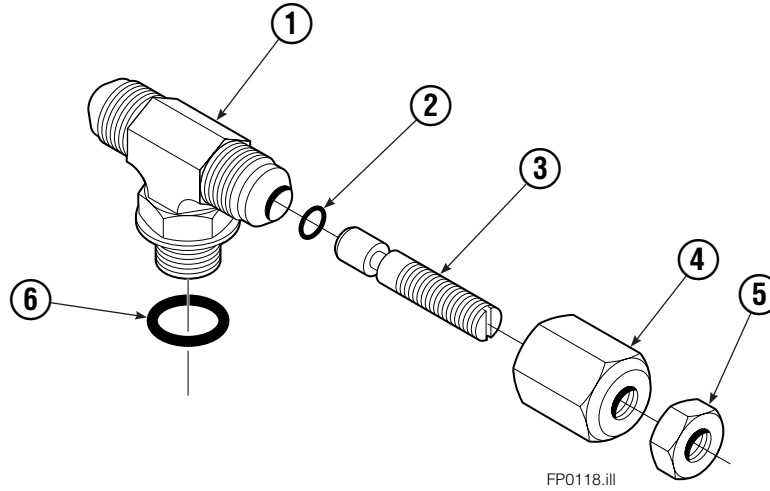
# Valve Assembly



REF	QTY	PART NO.	DESCRIPTION
		668861	Check Valve
1	1	667490	Special Fitting
● 2	2	2841	O-Ring
3	1	667471	Spool
4	3	609455	Fitting
5	1	668862	Valve Body
6	1	678270	Check Valve - V.P.O.
● 7	1	661347	Service Kit
8	1	604510	Fitting, 6
■ 9	1	676343	Regeneration Elimination Plug
		668864	Service Kit

- Included in Service Kit 668864.
- For eliminating regeneration circuit only.  
(See Technical Bulletin Number 121)

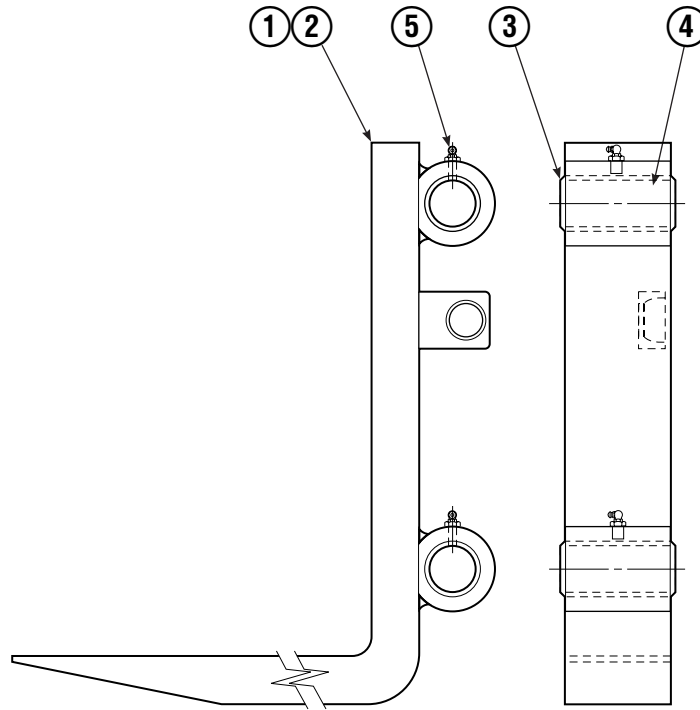
# Restrictor Fitting



FP0118.ill

REF	QTY	PART NO.	DESCRIPTION
		617487	Restrictor Assembly
1	1	617486	Tee
2	1	2698	O-Ring
3	1	11100	Setscrew
4	1	11099	Cap
5	1	5715	Jam Nut
6	1	2840	O-Ring

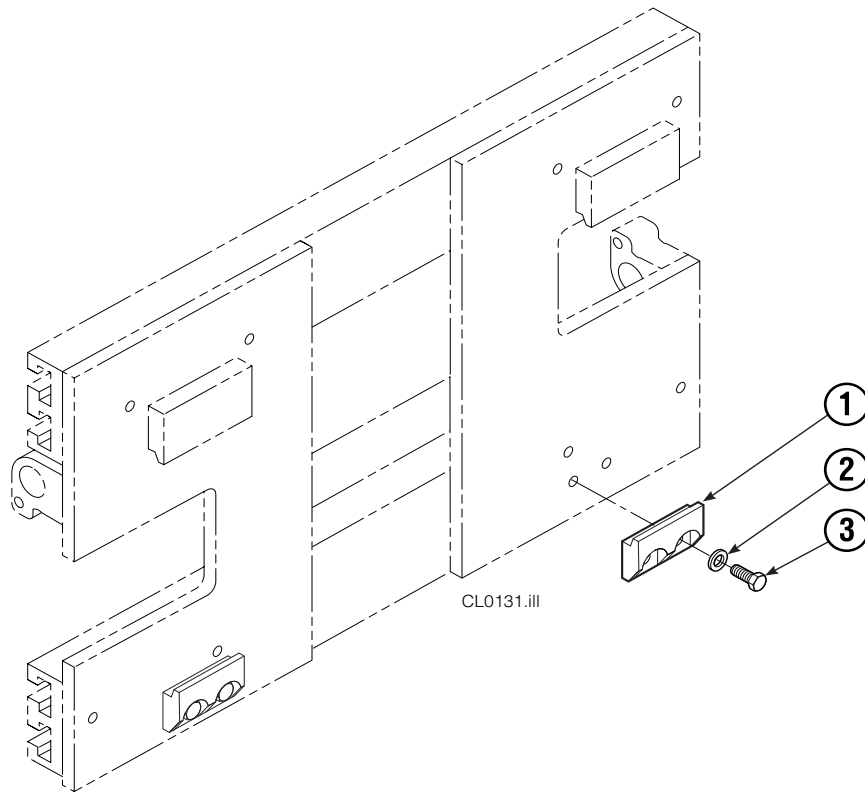
# Fork Group



FP0191.iii

REF	QTY	36 in. PART NO.	42 in. PART NO.	48 in. PART NO.	54 in. PART NO.	60 in. PART NO.	72 in. PART NO.	96 in. PART NO.	DESCRIPTION
		214672	214673	<b>214674</b>	214675	214676	214677	214678	Fork Group
1	1	829195	829194	829193	829192	829191	393961	393963	Fork - L.H.
2	1	829185	829186	829187	829188	829189	393962	393964	Fork - R.H.
3	8	7217	7217	7217	7217	7217	7217	7217	Retaining Ring
4	4	827203	827203	827203	827203	827203	827203	827203	Bushing
5	4	828470	828470	828470	828470	828470	828470	828470	Grease Fitting

# Mounting Group



REF	QTY	PART NO	DESCRIPTION
		397586	Mounting Group
1	2	679832	Lower Hook
2	4	670692	Washer
3	4	768579	Capscrew



**Do you have questions you need answered right now?** Call your nearest Cascade Parts Department. Visit us online at [www.cascorp.com](http://www.cascorp.com)

**Cascade Corporation**  
2501 Sheridan Avenue  
Springfield, OH 45505  
Tel: 888-CASCADE (227-2233)  
FAX: 888-329-0234

**Cascade Canada Inc.**  
5570 Timberlea Blvd.  
Mississauga, Ontario  
Canada L4W-4M6  
Tel: 905-629-7777  
FAX: 905-629-7785

**Cascade GmbH**  
D-41199 Monchengladbach  
Klosterhofweg 52  
Germany  
Tel: 49-216-668230  
FAX: 49-216-6682323

**Cascade Finland**  
Albert Petreliuksenkatu 3  
01370 Vantaa  
Finland  
Tel: 358-9-836-1925  
FAX: 358-9-836-1935

**Cascade N.V.  
European Headquarters**  
P.O. Box 3009  
1300 El Almere  
Damluisweg 56  
1332 ED Almere  
The Netherlands  
Tel: 31-36-5492911  
FAX: 31-36-5492964

**Cascade N.V.  
Benelux Sales and Service**  
P.O. Box 3009  
1300 El Almere  
Damluisweg 56  
1332 ED Almere  
The Netherlands  
Tel: 31-36-5492950  
FAX: 31-36-5492974

**Cascade (UK) Ltd.**  
15, Orgreave Crescent  
Dore House Industrial Estate  
Handsworth  
Sheffield S13 9NQ  
England  
Tel: 742-697524  
FAX: 742-695121

**Cascade Scandinavia AB**  
Box 124  
Hammarvägen 10  
567 23 Vaggeryd  
Sweden  
Tel: 42-0-393-36950  
FAX: 46-0-393-36959

**Cascade Norway**  
Østerliveien 37A  
1153 Oslo  
Norway  
Tel: 47-22-743160  
FAX: 47-22-743157

**Cascade France S.A.R.L.**  
1D Rue De Charaintru  
BP 18, 91360 Epinay-Sur-Orge  
Morangis Cedex, France  
Tel: 33-1- 64547500  
FAX: 33-1-64547501

**Cascade Hispania S.A.**  
Carrer 5 Sector C  
Zona Franca Duanera  
Poligono de la Zon Franca  
08040 Barcelona, Spain  
Office No. 256  
Tel: 93-264-07-30  
FAX: 93-264-07-31

**Cascade Japan Ltd.**  
5-5-41,  
Torikai Kami  
Settsu, Osaka  
Japan, 566  
Tel: 81-726-53-3490  
FAX: 81-726-53-3497

**Cascade Korea**  
108B, Namdong Ind Complex  
658-3 Gojan-Dong  
Namdong-Gu  
Inchon, 405-310 Korea  
Tel: 82-32-821-2051  
FAX: 82-32-821-2055

**Cascade Australia**  
1445 Ipswich Road  
Rocklea, QLD 4106  
Australia  
Tel: 1-800227-223  
FAX: (07) 3373-7333

**Cascade New Zealand**  
15 Ra Ora Drive  
East Tamaki, Auckland  
New Zealand  
Tel: 9-273-9136  
FAX: 9-273-9137

**Cascade (Africa) Pty. Ltd.**  
P.O. Box 625, Isando 1600  
60A Steel Road  
Sparton, Kempton Park  
South Africa  
Tel: 27-11-975-9240  
FAX: 27-11-394-1147

**Cascade-Xiamen**  
No. 668 Yangguang Rd.  
Xinyang Industrial Zone  
Haicang, Xiamen City  
Fujian Province  
P.R. China 361026  
Tel: 86-592-651-2500  
FAX: 86-592-651-2571

**Cascade (Singapore)  
Trading Co.**  
Four Seasons Park  
Autumn Block - Apt. 1802  
12 Cuscaden Walk  
Singapore  
Tel: 65-834-1935  
FAX: 65-834-1936

