



# Parts Manual

---

Model Bulk Box Handler

Serial Number 35D-BBH-007

---

**cascade**<sup>®</sup>

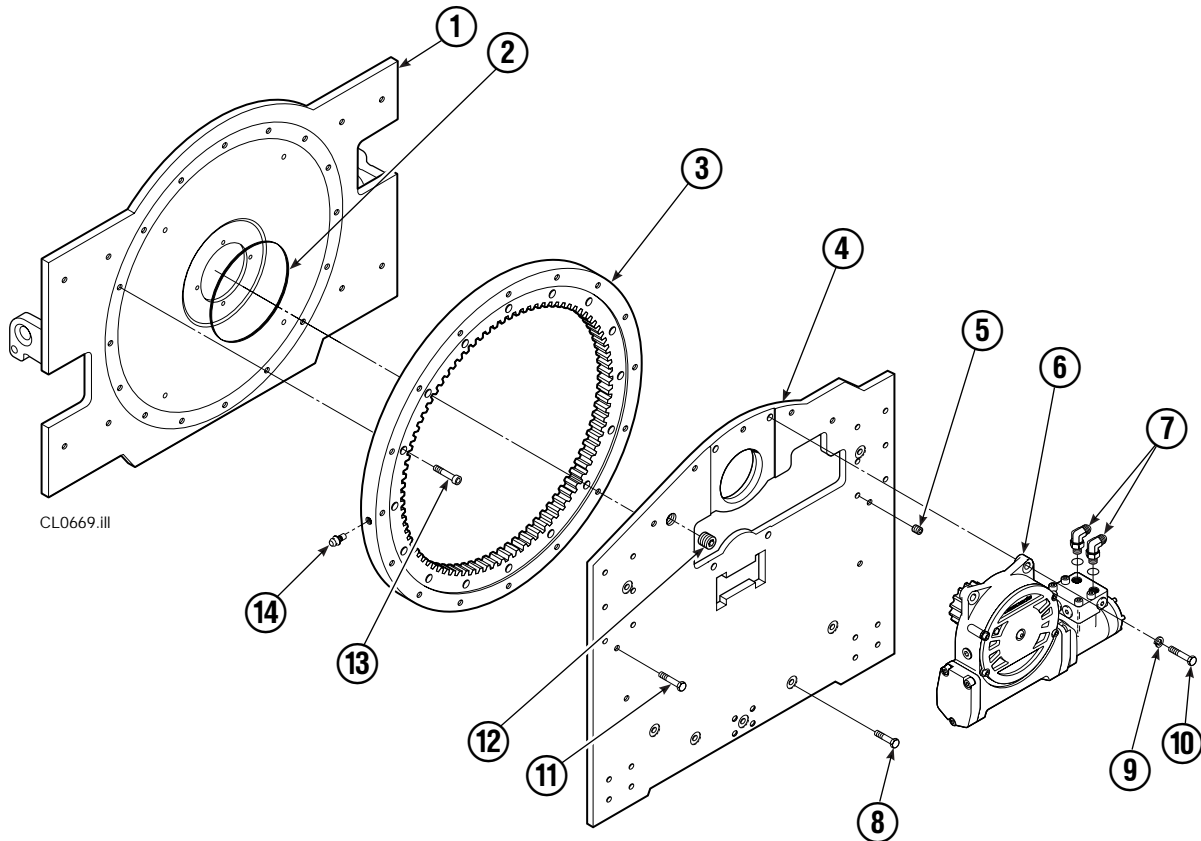
For Technical Assistance call: 800-227-2233, Fax: 888-329-8207

To Order Parts call: 888-227-2233, Fax: 888-329-0234

OR

Write: Cascade Corporation, P.O. Box 20187, Portland, OR 97220

# Rotator Group

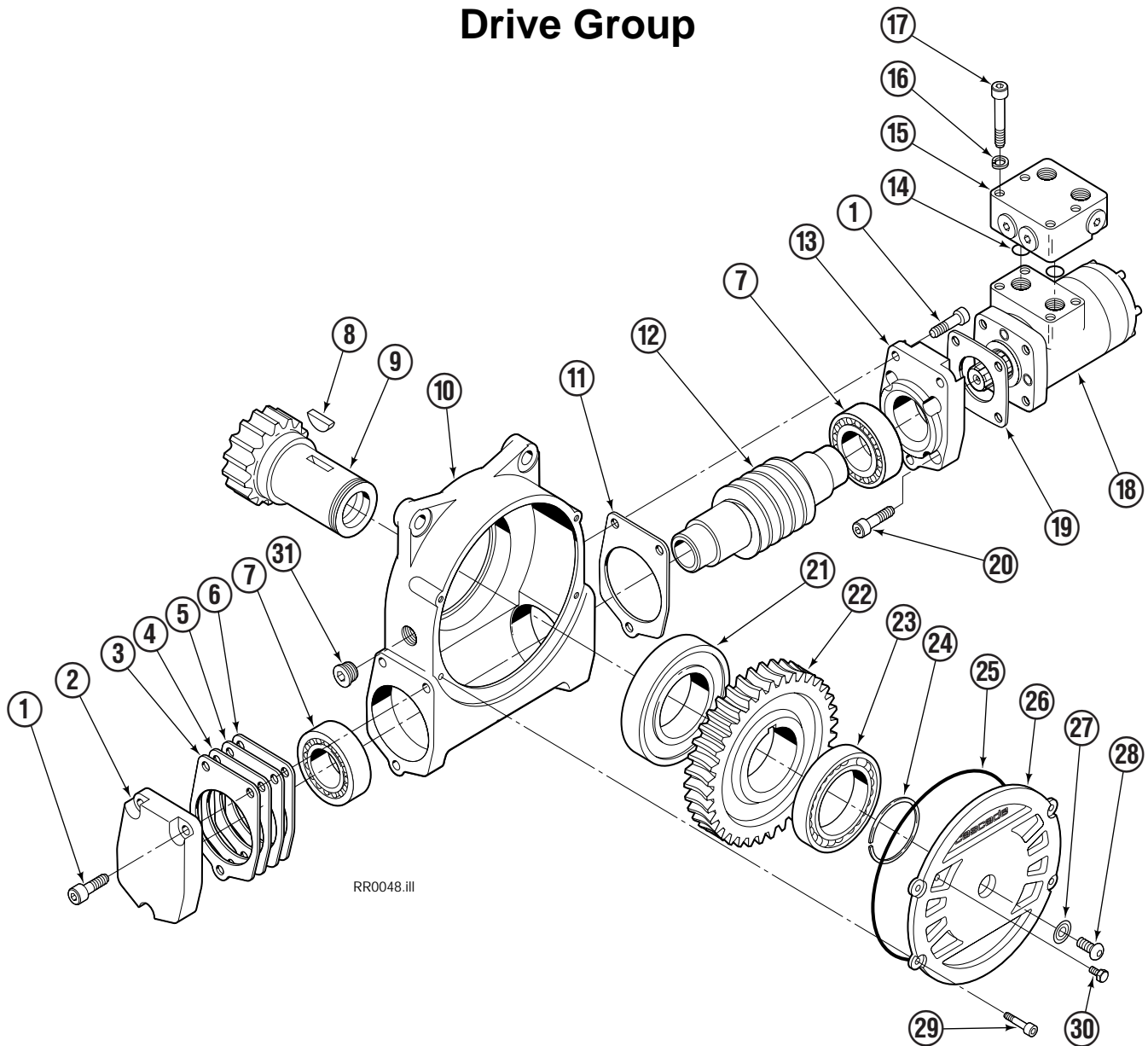


| 35D |     |          |                             |
|-----|-----|----------|-----------------------------|
| REF | QTY | PART NO. | DESCRIPTION                 |
|     |     | 353083   | Rotator Group               |
| 1   | 1   | 353084   | Faceplate                   |
| 2   | 1   | 670931   | Seal                        |
| 3   | 1   | 672828   | Bearing Assembly            |
| 4   | 1   | 687229   | Baseplate                   |
| 5   | 6   | 631385   | Plug                        |
| 6   | 1   | 675628   | Drive Group ▲               |
| 7   | 2   | 611303   | Fitting                     |
| 8   | 7   | 643538   | Capscrew, 1/2 NC x 1.50 GR8 |
| 9   | 4   | 6290     | Lockwasher, 1/2 in. ID      |
| 10  | 4   | 661742   | Capscrew, 1/2 NC x 1.25 GR5 |
| 11  | 9   | 643539   | Capscrew, 1/2 NC x 1.75 GR8 |
| 12  | 1   | 6605     | Plug                        |
|     |     | 4505     | Capscrew                    |
| 13  | 16  | 4505     | Capscrew                    |
| 14  | 1   | 7401     | Grease Fitting              |
|     |     | 672481   | Bearing Service Kit         |

▲ See Drive Group page for parts breakdown.

Reference: Common Parts Group 680700, SK-5346, SK-5649.

# Drive Group



RR0048.iii

| REF | QTY | PART NO. | DESCRIPTION                  | REF | QTY | PART NO. | DESCRIPTION                          |
|-----|-----|----------|------------------------------|-----|-----|----------|--------------------------------------|
|     |     | 675628   | Drive Group                  | 19  | 1   | 670575   | Gasket                               |
| 1   | 6   | 607071   | Capscrew, 7/16 NC x 1.0 GR8  | 20  | 4   | 4468     | Capscrew, 3/8 NC x .75 GR8           |
| 2   | 1   | 676855   | Cover                        | 21  | 1   | 670580   | Bearing                              |
| 3   | ●   | 675627   | Shim - .005"                 | 22  | 1   | 675609   | Worm Gear                            |
| 4   | ●   | 670574   | Shim - .010"                 | 23  | 1   | 670581   | Bearing                              |
| 5   | ●   | 671757   | Shim - .015"                 | 24  | 1   | 7214     | Snap Ring                            |
| 6   | ●   | 671758   | Shim - .020"                 | 25  | 1   | 643423   | O-Ring                               |
| 7   | 2   | 670579   | Bearing                      | 26  | 1   | 670567   | Cover                                |
| 8   | 1   | 670582   | Key                          | 27  | 1   | 603680   | Seal                                 |
| 9   | 1   | 670506   | Pinion                       | 28  | 1   | 4874     | Capscrew, 3/8 NC x .50 GR8           |
| 10  | 1   | 670565   | Housing                      | 29  | 4   | 671535   | Capscrew, 5/16 NC x .75              |
| 11  | 1   | 686465   | Gasket                       | 30  | 1   | 644010   | Relief Fitting                       |
| 12  | 1   | 675608   | Worm                         | 31  | 1   | 604510   | Fitting, 6                           |
| 13  | 1   | 670570   | Adaptor                      | 32  | 1   | 656300   | Gear Box Lube - 48 oz. (not shown)   |
| 14  | 2   | 2705     | O-Ring                       | 33  | 1   | 668184   | Sealant (not shown)                  |
| 15  | 1   | 670549   | Check Valve ★                |     |     | 670578   | Shim Service Kit (items 3-6, 11, 33) |
| 16  | 4   | 6444     | Lockwasher                   |     |     | 675637   | Shim Service Kit (items 21, 33)      |
| 17  | 4   | 607059   | Capscrew, 5/16 NC x 1.75 GR8 |     |     | 675638   | Shim Service Kit (items 3-7)         |
| 18  | 1   | 206392   | Drive Motor ▲                |     |     | 206394   | Motor Kit (items 11,14,18,19,20,33)  |

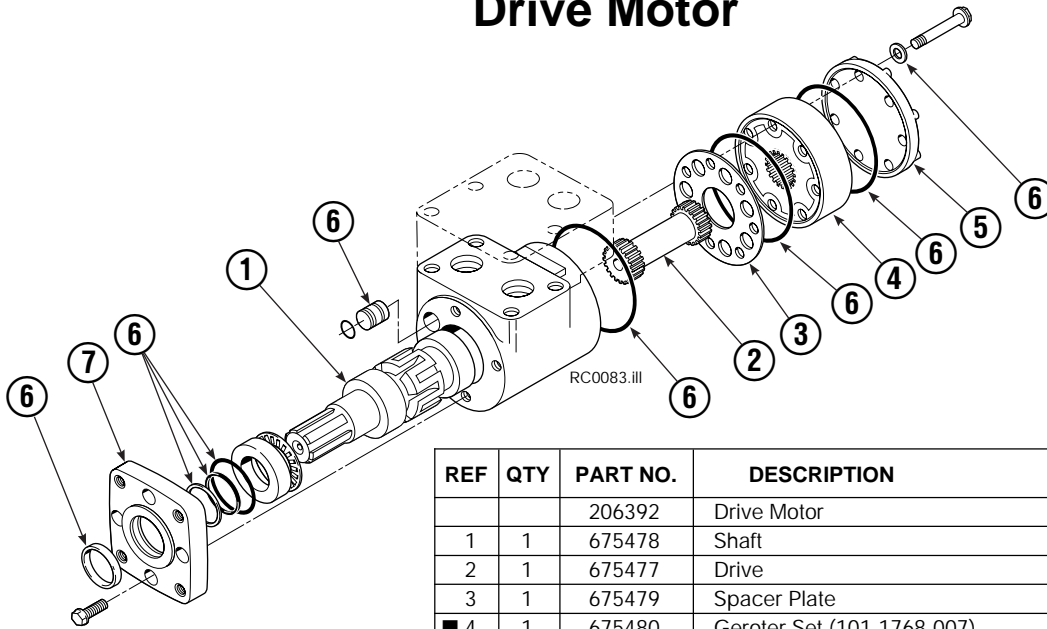
● Quantity as required.

★ See Check Valve page for parts breakdown.

▲ See Drive Motor page for parts breakdown.

Common Parts - 675627

# Drive Motor

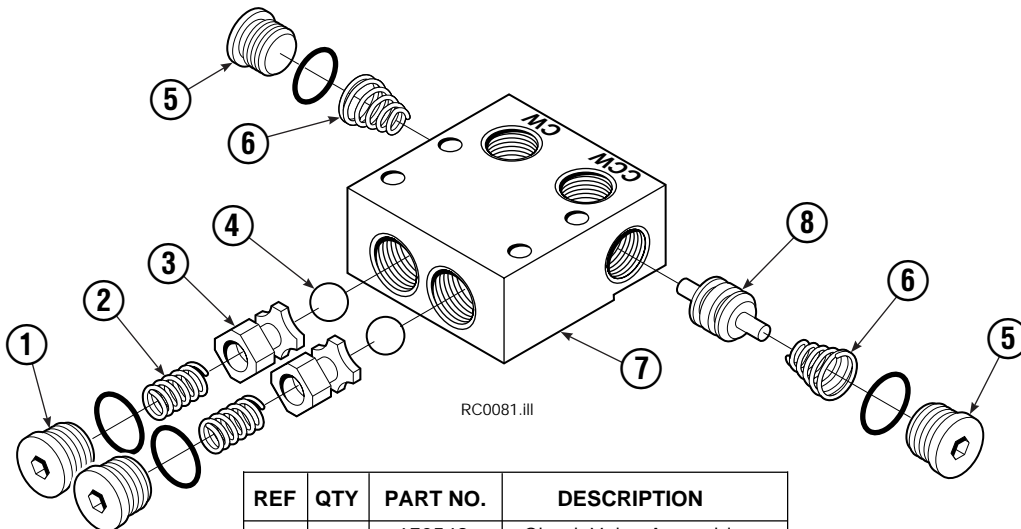


| REF | QTY | PART NO. | DESCRIPTION                |
|-----|-----|----------|----------------------------|
|     |     | 206392   | Drive Motor                |
| 1   | 1   | 675478   | Shaft                      |
| 2   | 1   | 675477   | Drive                      |
| 3   | 1   | 675479   | Spacer Plate               |
| ■ 4 | 1   | 675480   | Gerotor Set (101-1768-007) |
| ■ 4 | 1   | 685075   | Gerotor Set (101-1768-009) |
| 5   | 1   | 675482   | End Cap                    |
| ● 6 | 1   | 206405   | Service Kit                |
| ■ 7 | 1   | 685089   | Flange (101-1768-007)      |
| ■ 7 | 1   | 685090   | Flange (101-1768-009)      |

Cascade provides service replacement parts for the listed parts only. Due to cost, if others parts need replacement, the complete drive motor should be replaced.

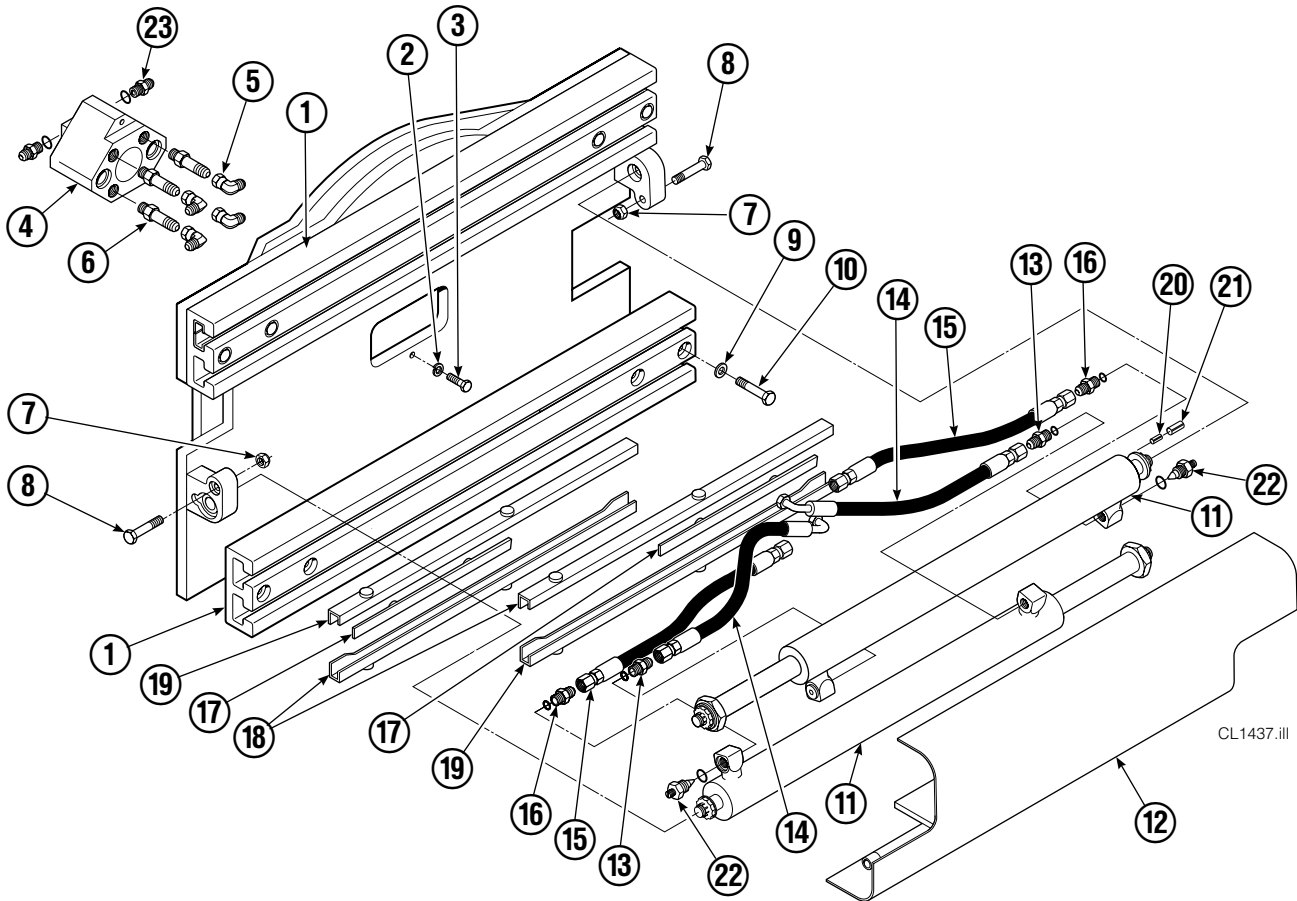
- See Nameplate under valve for correct part number of Gerotor Set and Flange.
- Compatible with water glycol based hydraulic fluids.

# Check Valve



| REF | QTY | PART NO. | DESCRIPTION          |
|-----|-----|----------|----------------------|
|     |     | 670549   | Check Valve Assembly |
| 1   | 2   | 609453   | Fitting, 10          |
| 2   | 2   | 670552   | Spring               |
| 3   | 2   | 670551   | Guide                |
| 4   | 2   | 7020     | Ball                 |
| 5   | 2   | 602580   | Fitting, 8           |
| 6   | 2   | 673989   | Spring               |
| 7   | 1   | 670550   | Body                 |
| 8   | 1   | 670553   | Spool                |

# Frame Group



| 35D |     |          |                         |     |     |          |                        |
|-----|-----|----------|-------------------------|-----|-----|----------|------------------------|
| REF | QTY | PART NO. | DESCRIPTION             | REF | QTY | PART NO. | DESCRIPTION            |
|     |     | 382140   | Frame Group             | 12  | 1   | 671519   | Bumper                 |
| 1   | 2   | 674166   | Frame                   | 13  | 2   | 611288   | Fitting, 6-8           |
| 2   | 2   | 686119   | Lockwasher, M8          | 14  | 2   | 659225   | Hose                   |
| 3   | 2   | 765352   | Capscrew, M8 x 30       | 15  | 2   | 689875   | Hose                   |
| 4   | 1   | 686420   | Revolving Connection ■  | 16  | 2   | 686369   | Fitting                |
| 5   | 4   | 2680     | Fitting, 6-6            | 17  | 4   | 667663   | Bearing                |
| 6   | 4   | 605743   | Fitting, 6-6            | 18  | 4   | 668910   | Bearing                |
| 7   | 2   | 665707   | Nut, 1/2 in. ID         | 19  | 4   | 668911   | Bearing                |
| 8   | 2   | 3659     | Capscrew, 1/2 NC x 2.50 | 20  | 2   | 7861     | Roll Pin - Inner       |
| 9   | 8   | 667910   | Washer, 1/2 in. ID      | 21  | 2   | 7962     | Roll Pin - Outer       |
| 10  | 8   | 675236   | Capscrew, 1/2 NC x 3.00 | 22  | 2   | 667609   | Restrictor Cartridge ● |
| 11  | 2   | 667911   | Cylinder ▲              | 23  | 2   | 604511   | Fitting, 6-6           |

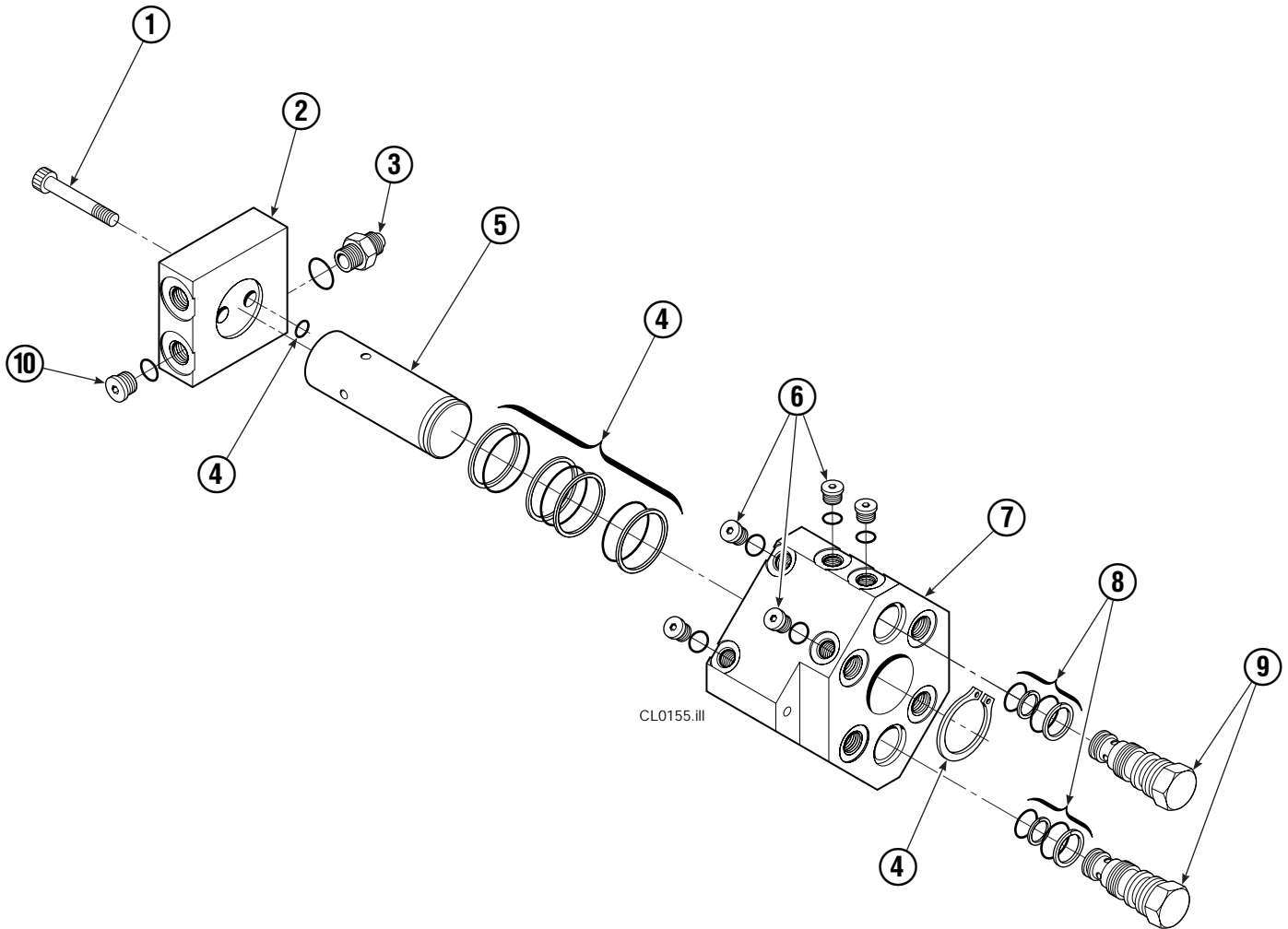
■ See Revolving Connection page for parts breakdown.

▲ See Cylinder page for parts breakdown.

● See Restrictor Cartridge page for parts breakdown.

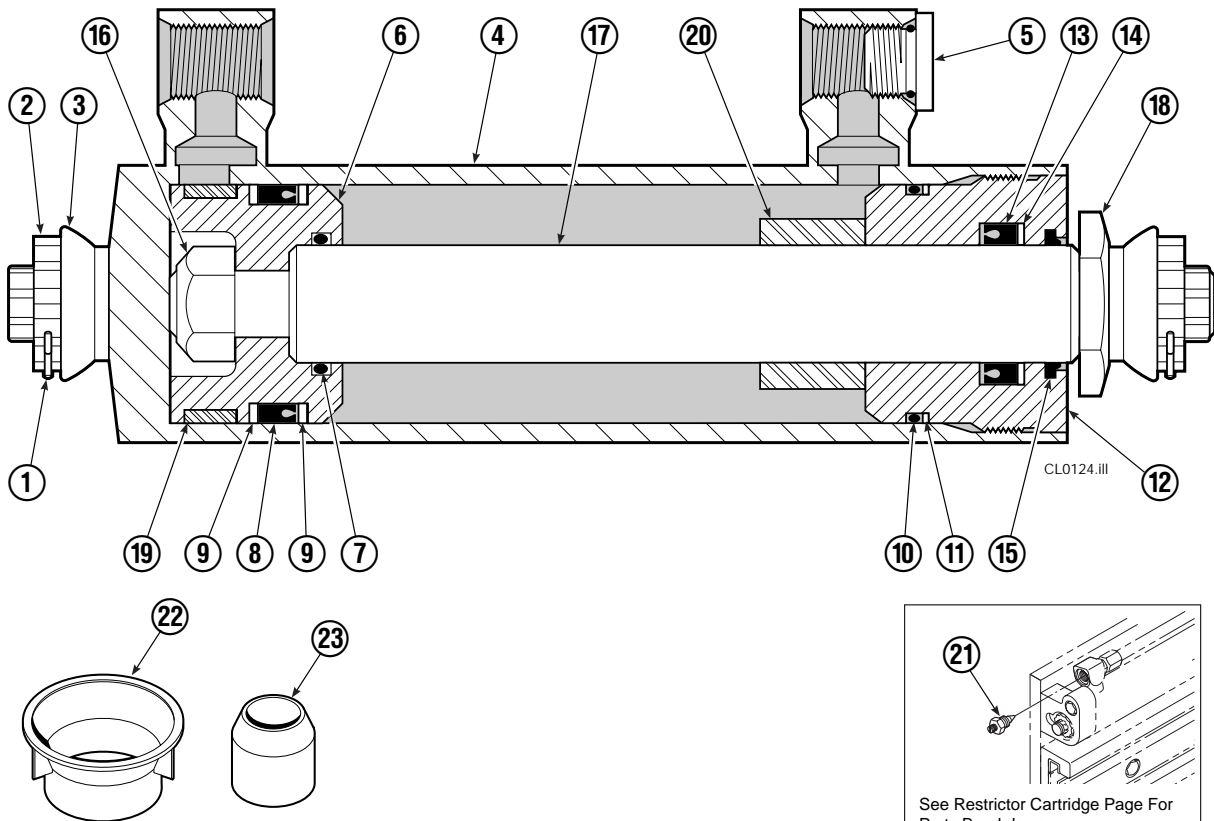
Reference: SK-5660.

# Revolving Connection



| 35D/50D |     |          |                                |
|---------|-----|----------|--------------------------------|
| REF     | QTY | PART NO. | DESCRIPTION                    |
|         |     | 686420   | Revolving Connection           |
| 1       | 2   | 768795   | Capscrew, M8 x 1,25 x 30 x 8.8 |
| 2       | 1   | 686421   | End Block                      |
| 3       | 2   | 604511   | Fitting, 6-6                   |
| 4       | 1   | 687237   | Service Kit                    |
| 5       | 1   | 686422   | Shaft                          |
| 6       | 5   | 663694   | Fitting, 3                     |
| 7       | 1   | 686423   | Body                           |
| 8       | 2   | 667516   | Check Valve Service Kit        |
| 9       | 2   | 678376   | Check Valve                    |
| 10      | 2   | 604510   | Fitting, 6                     |

# Cylinder



| 35D |     |          |                         |
|-----|-----|----------|-------------------------|
| REF | QTY | PART NO. | DESCRIPTION             |
|     |     | 667911   | Cylinder Assembly       |
| 1   | 2   | 6510     | Cotter Pin ■            |
| 2   | 2   | 667624   | Nut Retainer ■          |
| 3   | 2   | 667625   | Nut ■                   |
| 4   | 1   | 553758   | Shell                   |
| 5   | 1   | 602580   | Fitting                 |
| 6   | 1   | 670891   | Piston                  |
| 7   | 1   | 2716     | O-Ring ▲                |
| 8   | 1   | 662454   | Seal ▲                  |
| 9   | 2   | 638249   | Nylon Ring ▲            |
| 10  | 1   | 2787     | O-Ring ▲                |
| 11  | 1   | 615130   | Back-Up Ring ▲          |
| 12  | 1   | 667917   | Retainer                |
| 13  | 1   | 662448   | Seal ▲                  |
| 14  | 1   | 638243   | Nylon Ring ▲            |
| 15  | 1   | 636853   | Wiper ▲                 |
| 16  | 1   | 667623   | Nut                     |
| 17  | 1   | 667914   | Rod                     |
| 18  | 1   | 667626   | Washer                  |
| 19  | 1   | 660761   | Bearing                 |
| 20  | 1   | —        | Spacer                  |
| 21  | 1   | 667609   | Restrictor Cartridge ●  |
| 22  | 1   | 671049   | Seal Loader, Piston ▲   |
| 23  | 1   | 671052   | Seal Loader, Retainer ▲ |
|     |     | 667995   | Service Kit             |

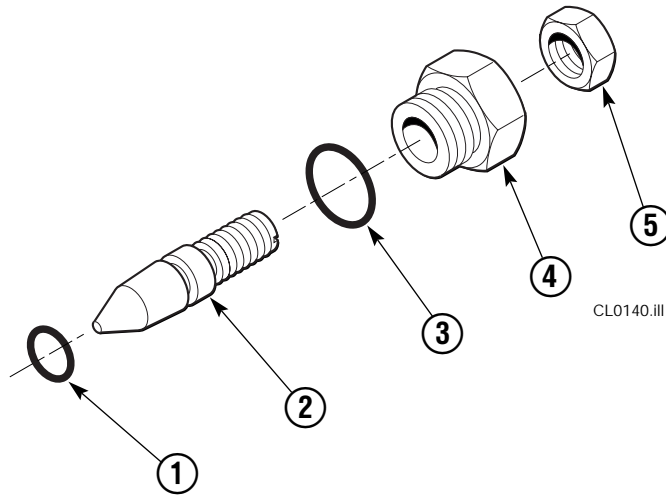
▲ Included in Service Kit 667995.

■ Included in Nut Service Kit 668926.

● Not included in Cylinder Assembly.

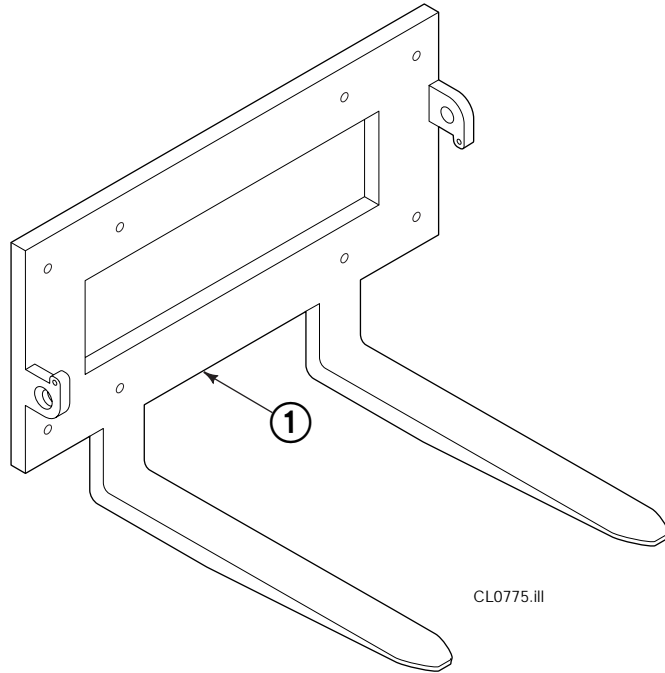
Reference: S-7662.

# Restrictor Cartridge



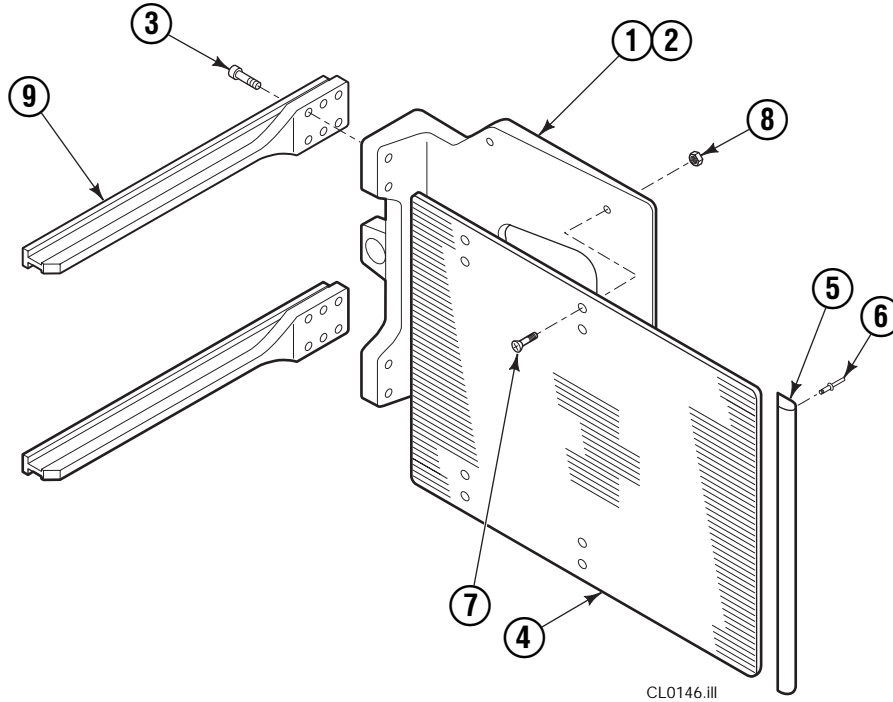
| REF | QTY | PART NO. | DESCRIPTION          |
|-----|-----|----------|----------------------|
|     |     | 667609   | Restrictor Cartridge |
| 1   | 1   | 2701     | O-Ring               |
| 2   | 1   | 667611   | Plunger              |
| 3   | 1   | 2841     | O-Ring               |
| 4   | 1   | 667610   | Plug - Special       |
| 5   | 1   | 5716     | Jam Nut              |

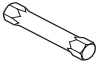
# Fork Weldment



| 50D |     |          |               |
|-----|-----|----------|---------------|
| REF | QTY | PART NO. | DESCRIPTION   |
| 1   | 1   | 6001762  | Fork Weldment |

# Multi-Purpose/Rigid Arms

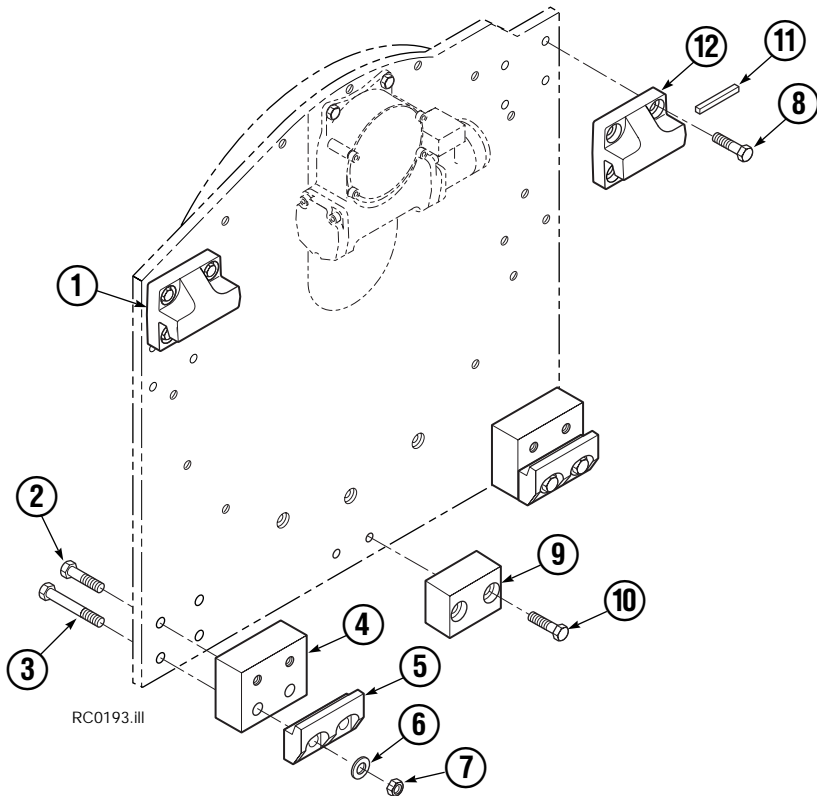


| ARM CAPSCREW EXTENSION TOOL   |        |        |
|---|--------|--------|
| Required for proper torquing of capscrews   |        |        |
|  | 35/50D | 667699 |

| 35D |     |          |                     |
|-----|-----|----------|---------------------|
| REF | QTY | PART NO. | DESCRIPTION         |
|     |     | 354434   | Arm Assembly - LH ▲ |
|     |     | 354433   | Arm Assembly - RH ■ |
| 1   | 1   | 354436   | Arm - LH            |
| 2   | 1   | 354435   | Arm - RH            |
| 3   | 12  | 607103   | Capscrew            |
| 4   | 1   | 335833   | Contact Pad - LH    |
| 4   | 1   | 335833   | Contact Pad - RH    |
| 5   | 1   | 671627   | Edge Guard          |
| 6   | 6   | 667843   | Rivet               |
| 7   | 4   | 4672     | Capscrew            |
| 8   | 4   | 550218   | Nut                 |
| 9   | 4   | 667905   | Arm Bar             |

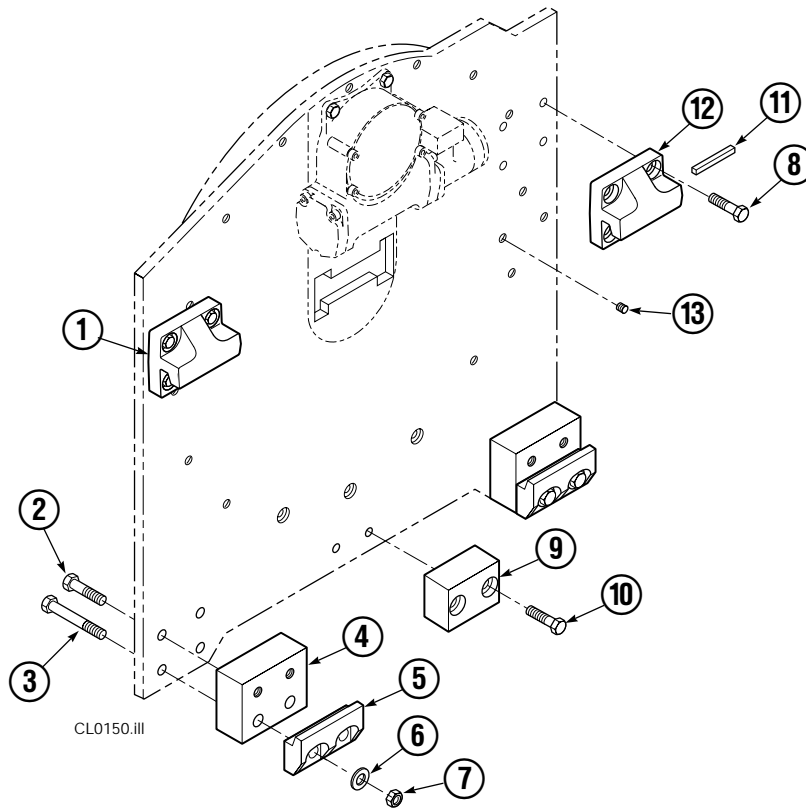
- ▲ Includes items 1 & 3-8.  
 ■ Includes items 2-8.  
 Reference: S-8265, S-82675

# Bolt-On Mounting Group



| Class II, 0° |     |          |                         |
|--------------|-----|----------|-------------------------|
| REF          | QTY | PART NO. | DESCRIPTION             |
|              |     | 680630   | Mounting Group          |
| 1            | 1   | 670523   | Upper Hook – LH         |
| 2            | 4   | 3709     | Capscrew, 5/8 NC x 1.50 |
| 3            | 4   | 674261   | Capscrew, 5/8 NC x 3.75 |
| 4            | 2   | 676037   | Spacer                  |
| 5            | 2   | 675968   | Lower Hook              |
| 6            | 4   | 667225   | Washer                  |
| 7            | 4   | 676281   | Nut, 5/8 in. ID         |
| 8            | 8   | 667765   | Capscrew, 5/8 NC x 1.50 |
| 9            | 1   | 680683   | Center Spacer           |
| 10           | 2   | 677828   | Capscrew, 1/2 NC x 1.00 |
| 11           | 1   | 669344   | Stop Kit                |
| 12           | 1   | 670524   | Upper Hook – RH         |

# Bolt-On Mounting Group



| Class III, 0° |     |          |                         |
|---------------|-----|----------|-------------------------|
| REF           | QTY | PART NO. | DESCRIPTION             |
|               |     | 680632   | Mounting Group          |
| 1             | 1   | 670527   | Upper Hook – LH         |
| 2             | 4   | 641284   | Capscrew, 5/8 NC x 2.25 |
| 3             | 4   | 669305   | Capscrew, 5/8 NC x 5.00 |
| 4             | 2   | 682068   | Spacer                  |
| 5             | 2   | 675969   | Lower Hook              |
| 6             | 4   | 667225   | Washer                  |
| 7             | 4   | 676281   | Nut, 5/8                |
| 8             | 8   | 667369   | Capscrew, 5/8 NC x 1.25 |
| 9             | 1   | 682067   | Center Spacer           |
| 10            | 2   | 677828   | Capscrew, 1/2 NC x 1.00 |
| 11            | 1   | 669344   | Stop Kit                |
| 12            | 1   | 670528   | Upper Hook – RH         |
| 13            | 2   | 631385   | Plug, 5/8               |

**Do you have questions you need answered right now?** Call your nearest Cascade Parts Department.

**Cascade Corporation**  
2501 Sheridan Avenue  
Springfield, OH 45505  
Tel: 888-CASCADE (227-2233)  
FAX: 888-329-0234

**Cascade Canada Inc.**  
5570 Timberlea Blvd.  
Mississauga, Ontario  
Canada L4W-4M6  
Tel: 905-629-7777  
FAX: 905-629-7785

**Cascade GmbH**  
D-41199 Monchengladbach  
Klosterhofweg 52  
Germany  
Tel: 21-66-602091  
FAX: 21-66-680947

**Cascade Finland**  
01370 Vantas  
Finland  
Tel: 358-0-836-1925  
FAX: 358-0-836-1935

**Cascade N.V.  
European Headquarters**  
P.O. Box 3009  
1300 El Almere  
Damsluisweg 56  
1332 ED Almere  
The Netherlands  
Tel: 31-36-5492911  
FAX: 31-36-5492964

**Cascade N.V.  
Benelux Sales and Service**  
P.O. Box 3009  
1300 El Almere  
Damsluisweg 56  
1332 ED Almere  
The Netherlands  
Tel: 31-36-5492950  
FAX: 31-36-5492974

**Cascade (UK) Ltd.**  
15, Orgreave Crescent  
Dore House Industrial Estate  
Handsworth  
Sheffield S13 9NQ  
England  
Tel: 742-697524  
FAX: 742-695121

**Cascade Scandinavia  
Hydraulik A.B.**  
Muskötgatan 19, E8-9  
S25466 Helsingborg  
Sweden  
Tel: 42-151135  
FAX: 42-152997

**Cascade Norway**  
Østerliveien 37A  
1153 Oslo  
Norway  
Tel: 47-22-743160  
FAX: 47-22-743157

**Cascade France S.A.R.L.**  
11, Rue Jean Charcot  
Zone Industrielle Sud or  
B.P. 22  
91421 Morangis Cedex  
France  
Tel: 1- 64547501  
FAX: 1-9790584

**Cascade Hispania S.A.**  
Avenida De La Fabregada, 7  
Hospitalet De Llobregat  
Barcelona  
Spain  
Tel: 3-335-5158  
FAX: 3-335-4756

**Cascade Japan Ltd.**  
5-5-41,  
Torikai Kami  
Settsu, Osaka  
Japan, 566  
Tel: 81-726-53-3490  
FAX: 81-726-53-3497

**Cascade Korea**  
Room 508, Pum Yang Bldg.  
750-14, Bang Bac-Dong  
Se-Cho Ku, Seoul  
Korea  
Tel: 2599-7131 ext. 512  
FAX: 2533-8089

**HYCO-Cascade Pty. Ltd.**  
1445 Ipswich Road  
Rocklea,  
Queensland 4107  
Australia  
Tel: 3-274-2722  
FAX: 3-274-3456

**HYCO-Cascade (NZ) Ltd.**  
15 Ra Ora Drive, East Tamaki  
P.O. Box 38-440  
Howick, Auckland  
New Zealand  
Tel: 9-273-9136  
FAX: 9-273-9137

**Cascade (Africa) Pty. Ltd.**  
P.O. Box 625, Isando 1600  
60A Steel Road  
Sparton, Kempton Park  
South Africa  
Tel: 975-9240  
FAX: 394-1147

**Cascade-Xiamen**  
Wanshan No. 1 Workshop  
Huli Road  
Xiamen 361006  
Fujian, PRC  
Tel: 592-562-4600  
FAX: 592-562-4671

**Cascade (Singapore)  
Trading Co.**  
Four Seasons Park  
Autumn Block - Apt. 1802  
12 Cascaden Walk  
Singapore  
Tel: 65-834-1935  
FAX: 65-834-1936

