



# Parts Manual

---

Model Single-Double Pallet

Serial Number 55E-FD-139

---

**cascade**<sup>®</sup>

For Technical Assistance and to Order Parts . . .

Call: 1-800-CASCADE or 503-669-6300

OR

Write: Cascade Corporation, P.O. Box 20187, Portland, OR 97294-0187

# Decals



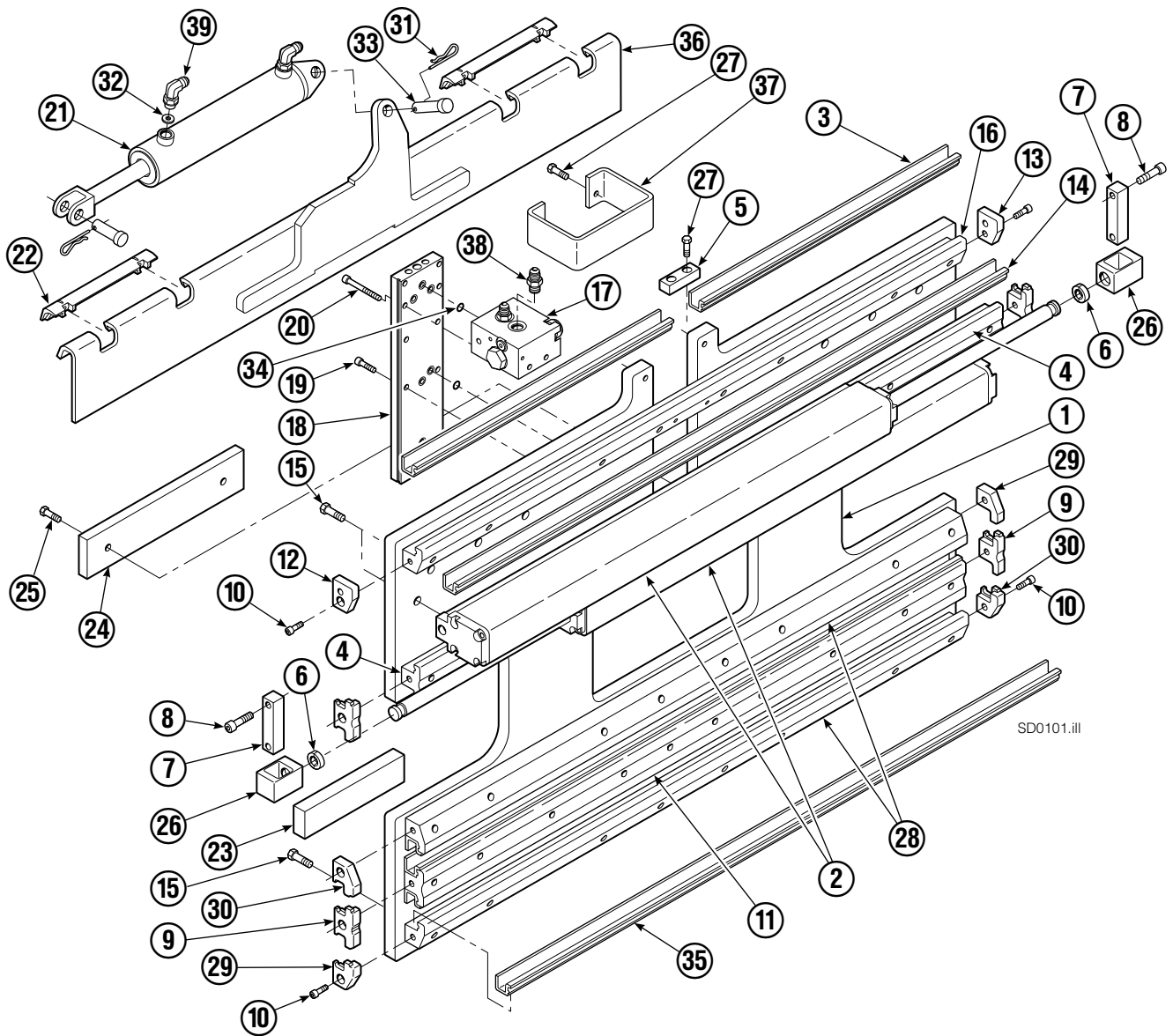
| 55E |     |          |                    |
|-----|-----|----------|--------------------|
| REF | QTY | PART NO. | DESCRIPTION        |
| 1   | 6   | 665595   | No Hand Hold Decal |
| 2   | 4   | 679150   | No Step Decal      |

# Publications



| 55E      |                             |
|----------|-----------------------------|
| PART NO. | DESCRIPTION                 |
|          | Parts Manual                |
| 213580   | Operator's Guide            |
| 213372   | Installation Instructions   |
| 679929   | Tool Catalog                |
| 673964   | Literature Index Order Form |

# Base Unit Group – ITA Class III



# Base Unit Group – ITA Class III

| 55E |     |           |                             |
|-----|-----|-----------|-----------------------------|
| REF | QTY | PART NO.  | DESCRIPTION                 |
|     |     | 214641    | Base Unit Group – Class III |
| 1   | 1   | 212428    | Baseplate Class – III       |
| 2   | 2   | 214620    | Frame Cylinder ★            |
| 3   | 2   | 4730-1050 | Bearing Segment             |
| 4   | 2   | 214628    | T-Bar – Upper               |
| 5   | 1   | 212722    | Fork Stop                   |

## Common Parts

| REF | QTY | PART NO.  | DESCRIPTION                | REF | QTY | PART NO.  | DESCRIPTION        |
|-----|-----|-----------|----------------------------|-----|-----|-----------|--------------------|
| 6   | 4   | 210490    | Retainer Half Ring ■       | 23  | 2   | 208350    | Lower Bearing      |
| 7   | 2   | 210489    | Rod End Anchor ■           | 24  | 1   | 212740    | Spacer Block       |
| 8   | 4   | 768303    | Capscrew, M10 x 35 ■       | 25  | 2   | 767615    | Capscrew, M10 x 25 |
| 9   | 4   | 210140    | Bearing Retainer           | 26  | 2   | 209741    | Rod End ■          |
| 10  | 10  | 787375    | Capscrew, M8 x 20 GR 8.8   | 27  | 4   | 684649    | Capscrew, M10 x 25 |
| 11  | 1   | 214631    | T-Bar – Lower              | 28  | 2   | 214633    | T-Bar – Lower      |
| 12  | 1   | 211380    | Retainer/Stop – RH         | 29  | 2   | 212585    | Bearing Retainer   |
| 13  | 1   | 211379    | Retainer/Stop – LH         | 30  | 2   | 212586    | Bearing Retainer   |
| 14  | 4   | 4730-0490 | Bearing Segment            | 31  | 2   | 672726    | Cotter Pin         |
| 15  | 50  | 211689    | Capscrew, M12 x 30 GR 10.9 | 32  | 1   | 675550    | Washer             |
| 16  | 1   | 214635    | T-Bar – Upper              | 33  | 2   | 678525    | Clevis Pin         |
| 17  | 1   | 212566    | Valve Assembly ▲           | 34  | 7   | 214053    | O-Ring             |
| 18  | 1   | 211456    | Manifold                   | 35  | 4   | 4318-1040 | Bearing Segment    |
| 19  | 6   | 768208    | Capscrew, M8 x 25          | 36  | 1   | 211371    | Anchor Bracket     |
| 20  | 4   | 768795    | Capscrew, M8 x 30          | 37  | 1   | 212741    | Valve Guard        |
| 21  | 1   | 675548    | Sideshift Cylinder ●       | 38  | 2   | 604511    | Fitting, 6-6       |
| 22  | 2   | 672018    | Upper Bearing              | 39  | 2   | 601676    | Fitting, 6-6       |

★ See Frame Cylinder page for parts breakdown.

▲ See Valve Assembly – Class III page for parts breakdown.

■ Included in Cylinder Rod Anchor Kit 213856.

● See Sideshift Cylinder page for parts breakdown.

Reference: SK-6131.

# Cylinder

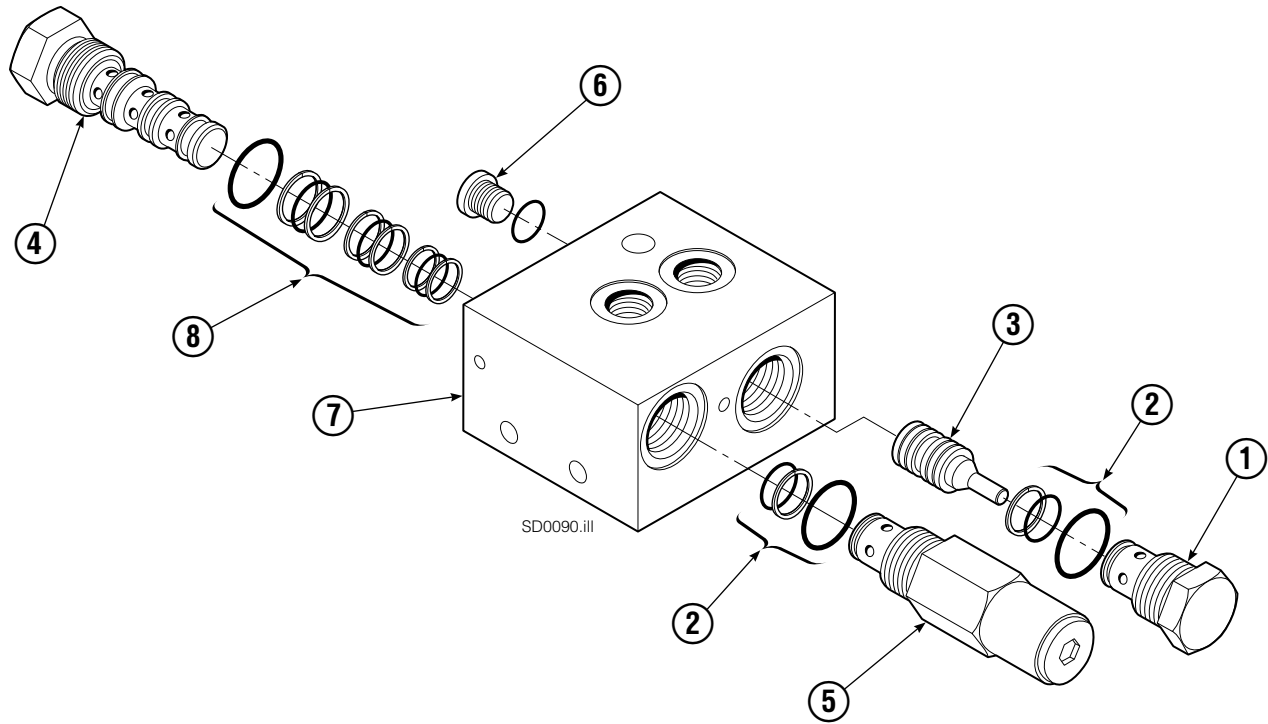


| REF | QTY | PART NO. | DESCRIPTION       | REF | QTY | PART NO. | DESCRIPTION    |
|-----|-----|----------|-------------------|-----|-----|----------|----------------|
|     |     | 214620   | Cylinder Assembly | 8   | 2   | 210053   | O-Ring ▲       |
| 1   | 1   | 214621   | Cylinder/Shell    | 9   | 2   | 210050   | Back-Up Ring ▲ |
| 2   | 1   | 4157-805 | Rod               | 10  | 1   | 212477   | Seal ▲         |
| 3   | 1   | 213783   | Cap               | 11  | 1   | 209808   | Seal ▲         |
| 4   | 8   | 768208   | Capscrew, M8 x 25 | 12  | 2   | 214053   | O-Ring ▲       |
| 5   | 1   | 209809   | Bearing ▲         | 13  | 1   | 562131   | Wiper ▲        |
| 6   | 1   | 787375   | Capscrew, M8 x 20 |     |     | 210090   | Service Kit    |
| 7   | 1   | 212452   | Retainer          |     |     |          |                |

▲ Included in Service Kit 210090.

Reference: S-4644, S-4643.

# Valve ITA Class III



| 55E |     |          |                        |
|-----|-----|----------|------------------------|
| REF | QTY | PART NO. | DESCRIPTION            |
|     |     | 212566   | Valve Assembly         |
| 1   | 1   | 209847   | Check Valve            |
| 2   | 2   | 682170   | Service Kit ▲          |
| 3   | 1   | 210265   | Piston                 |
| 4   | 1   | 210266   | Flow Divider/Combiner  |
| 5   | 1   | 213535   | Crossover Relief Valve |
|     |     | 609234   | Fitting, 4             |
| 7   | 1   | 211454   | Valve Body             |
| 8   | 1   | 679992   | Service Kit ▲          |
|     |     | 213604   | Valve Service Kit      |

▲ Included in Valve Service Kit 213604.

# Sideshift Cylinder

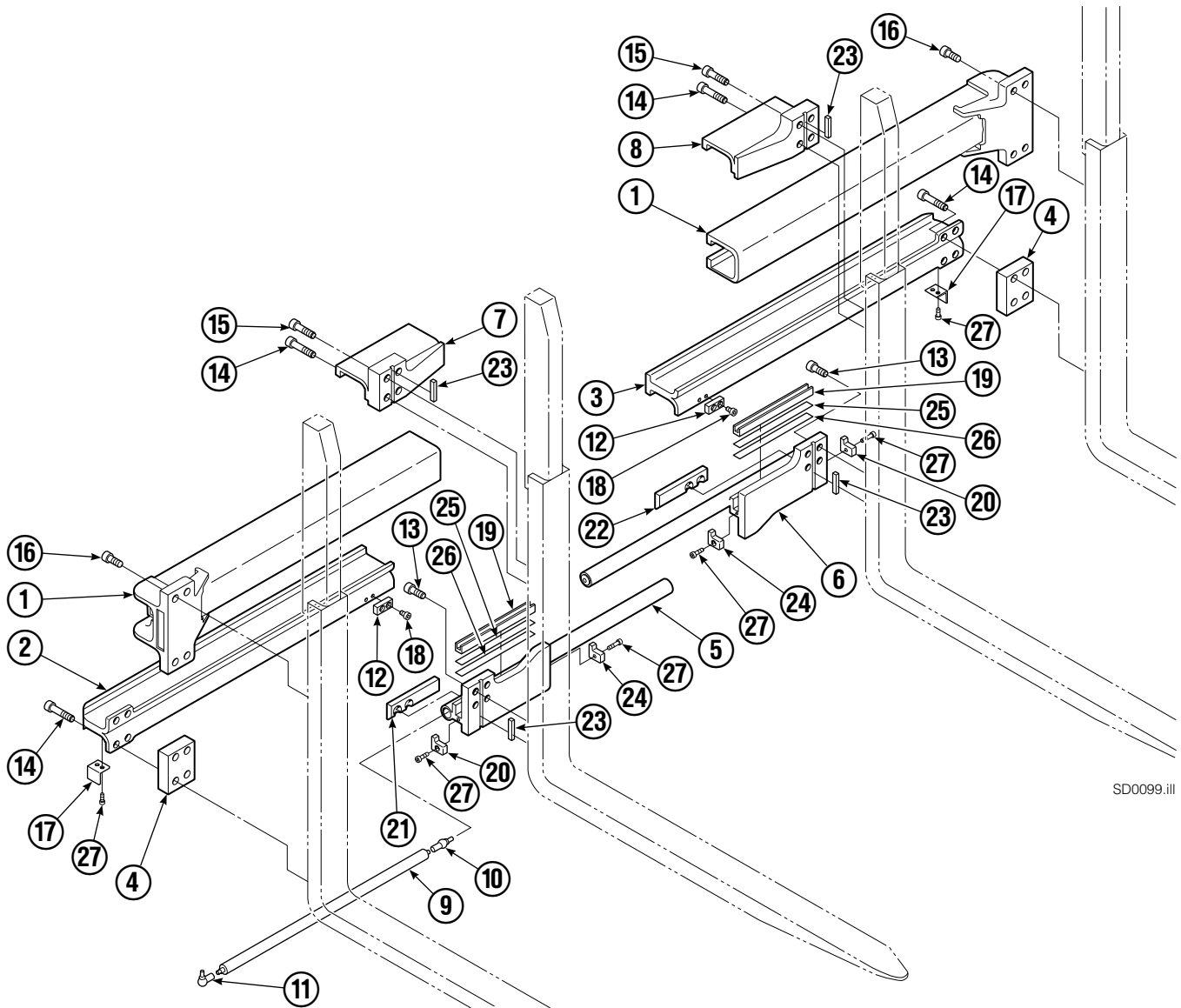


FP0079.ill

| REF  | QTY | PART NO. | DESCRIPTION           |
|------|-----|----------|-----------------------|
|      |     | 675548   | Cylinder Assembly     |
| 1    | 1   | 553857   | Nut                   |
| ■ 2  | 1   | 662452   | Seal                  |
| 3    | 1   | 553501   | Piston                |
| ■ 4  | 1   | 636851   | Wiper                 |
| ■ 5  | 1   | 638247   | Back-up Ring          |
| 6    | 1   | 675550   | Washer (orifice .085) |
| 7    | 1   | 675549   | Shell                 |
| 8    | 1   | 553449   | Rod                   |
| ■ 9  | 1   | 2785     | O-Ring                |
| ■ 10 | 1   | 615128   | Back-up Ring          |
| 11   | 1   | 553500   | Retainer              |
| 12   | 1   | 553856   | Retaining Ring        |
| 13   | 1   | 7202     | Snap Ring             |
| ■ 14 | 1   | 641835   | Seal                  |
| 15   | 1   | ---      | Spacer                |
|      |     | 553861   | Service Kit           |

■ Included in Service Kit 553861.

# Arm Group



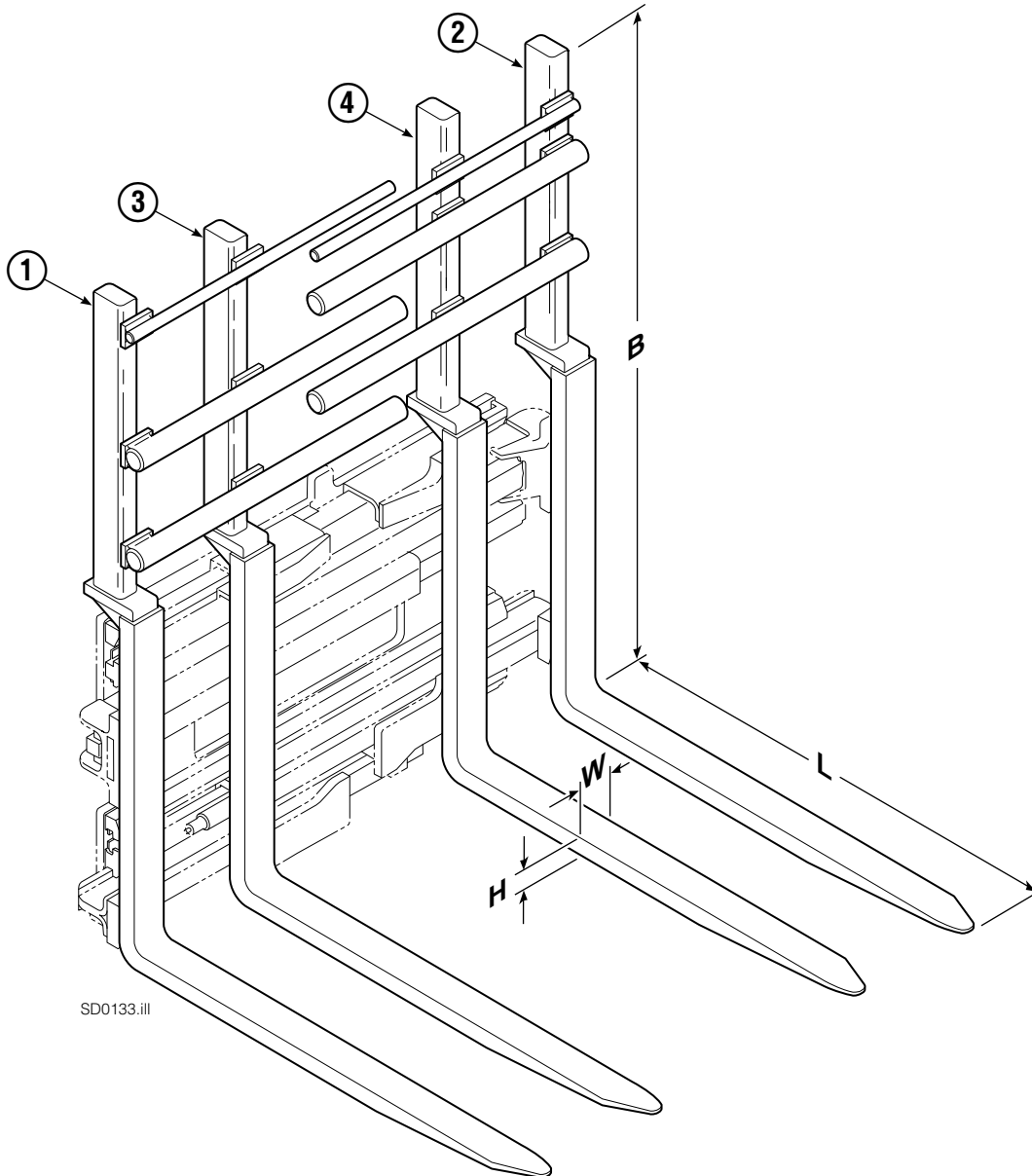
SD0099.ill

| 55E |     |           |                    |     |     |           |                        |
|-----|-----|-----------|--------------------|-----|-----|-----------|------------------------|
| REF | QTY | PART NO.  | DESCRIPTION        | REF | QTY | PART NO.  | DESCRIPTION            |
|     |     | 212581    | Arm Group          | 14  | 12  | 769578    | Capscrew, M16 x 60     |
| 1   | 2   | 4316-0799 | Upper Arm Bar      | 15  | 4   | 769577    | Capscrew, M16 x 50     |
| 2   | 1   | 211672    | Lower Arm Bar - RH | 16  | 8   | 769573    | Capscrew, M16 x 30     |
| 3   | 1   | 211671    | Lower Arm Bar - LH | 17  | 2   | 213022    | Guard                  |
| 4   | 2   | 210587    | Spacer             | 18  | 4   | 213023    | Capscrew, M10 x 16     |
| 5   | 1   | 212994    | Lower Hook - RH    | 19  | 2   | 4501-0222 | Bearing Segment        |
| 6   | 1   | 212997    | Lower Hook - LH    | 20  | 2   | 212979    | Bearing Retainer       |
| 7   | 1   | 211384    | Upper Hook - RH    | 21  | 1   | 212682    | Bearing - RH           |
| 8   | 1   | 211383    | Upper Hook - LH    | 22  | 1   | 213899    | Bearing - LH           |
| 9   | 2   | 212683    | Gas Spring ▲       | 23  | 4   | 213364    | Key                    |
| 10  | 2   | 213011    | Ball Joint ▲       | 24  | 2   | 213360    | Bearing Retainer       |
| 11  | 2   | 213012    | Ball Joint ▲       | 25  | 4   | 212559    | Shim, .04 in. (.1 mm)  |
| 12  | 2   | 212687    | Lower Fork Stop    | 26  | 4   | 213913    | Shim, .020 in. (.5 mm) |
| 13  | 8   | 769574    | Capscrew, M16 x 35 | 27  | 8   | 787375    | Capscrew, M8 x 20      |

▲ Included in Gas Spring Kit 213855.

Reference: SK-6116.

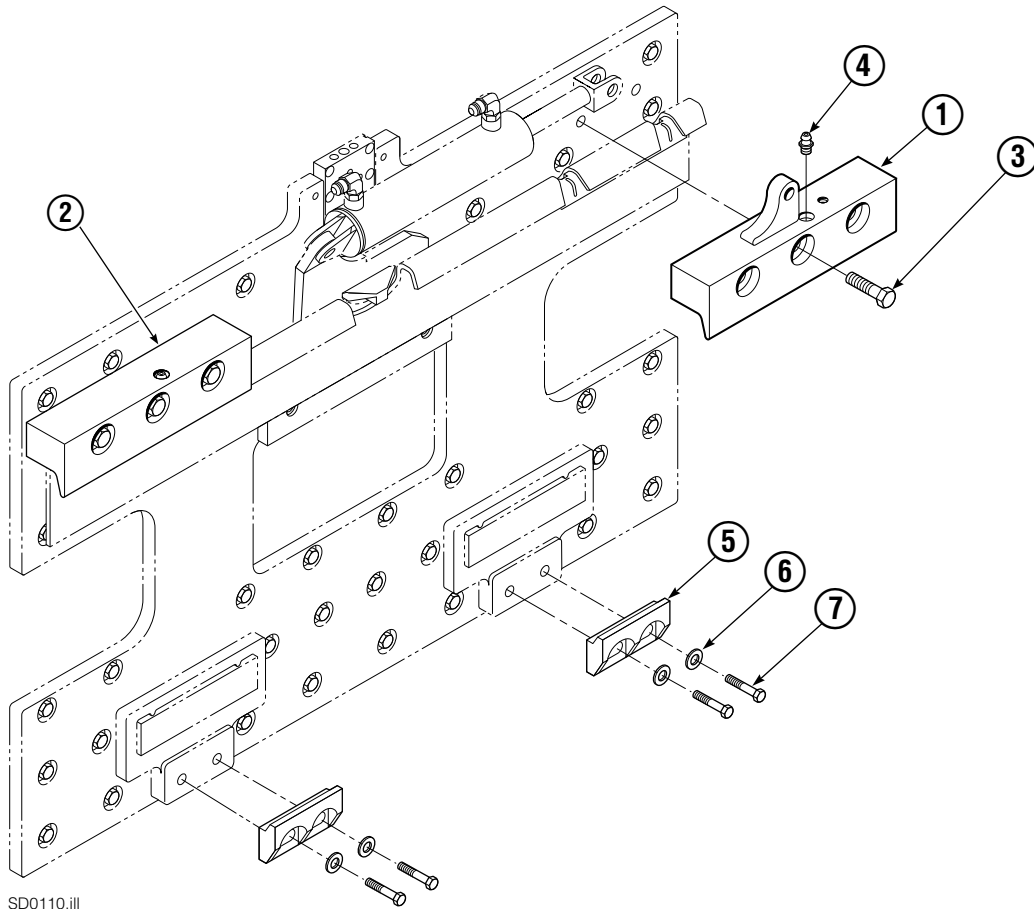
# Interlocking Backrest/Fork Group



SD0133.iii

| 55E        |     |     |    |                        |               |               |               |               |
|------------|-----|-----|----|------------------------|---------------|---------------|---------------|---------------|
| SIZE (IN.) |     |     |    | FORK GROUP<br>PART NO. | REF 1         | REF 2         | REF 3         | REF 4         |
| L          | W   | H   | B  |                        | Outer Fork-RH | Outer Fork-LH | Inner Fork-RH | Inner Fork-LH |
| 35.8       | 3.1 | 1.8 | 60 | 391336                 | 391359        | 391358        | 396933        | 396932        |

# Mounting Group ITA Class III



SD0110.iii

| 55E |     |          |                    |
|-----|-----|----------|--------------------|
| REF | QTY | ITA III  | DESCRIPTION        |
|     |     | PART NO. |                    |
|     |     | 212574   | Upper Hook Group ▲ |
|     |     | 391335   | Lower Hook Group ★ |
| 1   | 1   | 211375   | Upper Hook - RH    |
| 2   | 1   | 210592   | Upper Hook - LH    |
| 3   | 6   | 796631   | Cap screw, M16x65  |
| 4   | 2   | 7403     | Grease Fitting     |
| 5   | 2   | 675969   | Lower Hook         |
| 6   | 4   | 667225   | Washer             |
| 7   | 4   | 779009   | Cap screw          |

▲ Includes items 1, 2 and 3.

★ Includes items 5, 6 and 7.

Reference: SK-6116.

**Do you have questions you need answered right now?** Call your nearest Cascade Parts Department.

**Cascade Corporation**

2201 NE 201st  
Troutdale, OR 97060  
Tel: 1-800-CAS-CADE  
503-669-6300  
FAX: 503-669-6338

**Cascade Canada Inc.**

5570 Timberlea Blvd.  
Mississauga, Ontario  
Canada L4W-4M6  
Tel: 905-629-7777  
FAX: 905-629-7785

**Cascade GmbH**

D-41199 Monchengladbach  
Klosterhofweg 52  
Germany  
Tel: 21-66-602091  
FAX: 21-66-680947

**Cascade N.V.**

Kirkkokatu 1  
48100 Kotka  
Finland  
Tel: 52-184393  
FAX: 52-184833

**Cascade N.V.  
European Headquarters**

P.O. Box 3009  
1300 El Almere  
Damsluisweg 56  
1332 ED Almere  
The Netherlands  
Tel: 31-36-5492911  
FAX: 31-36-5492964

**Cascade N.V.  
Benelux Sales and Service**

P.O. Box 3009  
1300 El Almere  
Damsluisweg 56  
1332 ED Almere  
The Netherlands  
Tel: 31-36-5492950  
FAX: 31-36-5492974

**Cascade (UK) Ltd.**

15, Orgreave Crescent  
Dore House Industrial Estate  
Handsworth  
Sheffield S13 9NQ  
England  
Tel: 742-697524  
FAX: 742-695121

**Cascade Scandinavia  
Hydraulik A.B.**

Muskötgatan 19, E8-9  
S25466 Helsingborg  
Sweden  
Tel: 42-151135  
FAX: 42-152997

**Cascade France S.A.R.L.**

11, Rue Jean Charcot  
Zone Industrielle Sud or  
B.P. 22  
91421 Morangis Cedex  
France  
Tel: 1-64547500  
FAX: 1-64547501

**Cascade Hispania S.A.**

Avenida De La Fabregada, 7  
Hospitalet De Llobregat  
Barcelona  
Spain  
Tel: 3-335-5158  
FAX: 3-335-4756

**Cascade Japan Ltd.**

5-5-41,  
Torikai Kami  
Settsu, Osaka  
Japan, 566  
Tel: 81-726-53-3490  
FAX: 81-726-53-3497

**Cascade Korea**

Room 508, Pum Yang Bldg.  
750-14, Bang Bac-Dong  
Se-Cho Ku, Seoul  
Korea  
Tel: 2599-7131 ext. 512  
FAX: 2533-8089

**HYCO-Cascade Pty. Ltd.**

87 Antimony Street  
Carole Park,  
Brisbane 4300  
Australia  
Tel: 7-271-1966  
FAX: 7-271-3830

**HYCO-Cascade (NZ) Ltd.**

23 Haseler Crescent  
P.O. Box 38-440  
Howick, Auckland  
New Zealand  
Tel: 9-273-9136  
FAX: 9-273-9137

**Cascade (Africa) Pty. Ltd.**

P.O. Box 625, Isando 1600  
60A Steel Road  
Sparton, Kempton Park  
South Africa  
Tel: 975-9240  
FAX: 394-1147

**Cascade-Xiamen**

Wanshan No. 1 Workshop  
Huli Road  
Xiamen 361006  
Fujian, PRC  
Tel: 592-562-4600  
FAX: 592-562-4671

**Sunstream Industries**

**PTE Ltd.**

No. 3 Tuas Link 1  
Singapore 2263  
Tel: 863-3488  
FAX: 863-1368

