



Parts Manual

Model Single-Double Pallet Handler

Serial Number 50D-ES-188

cascade[®]

For Technical Assistance and to Order Parts . . .

Call: 1-800-CASCADE or 503-669-6300

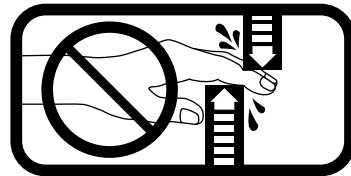
OR

Write: Cascade Corporation, P.O. Box 20187, Portland, OR 97294-0187

Safety Decals

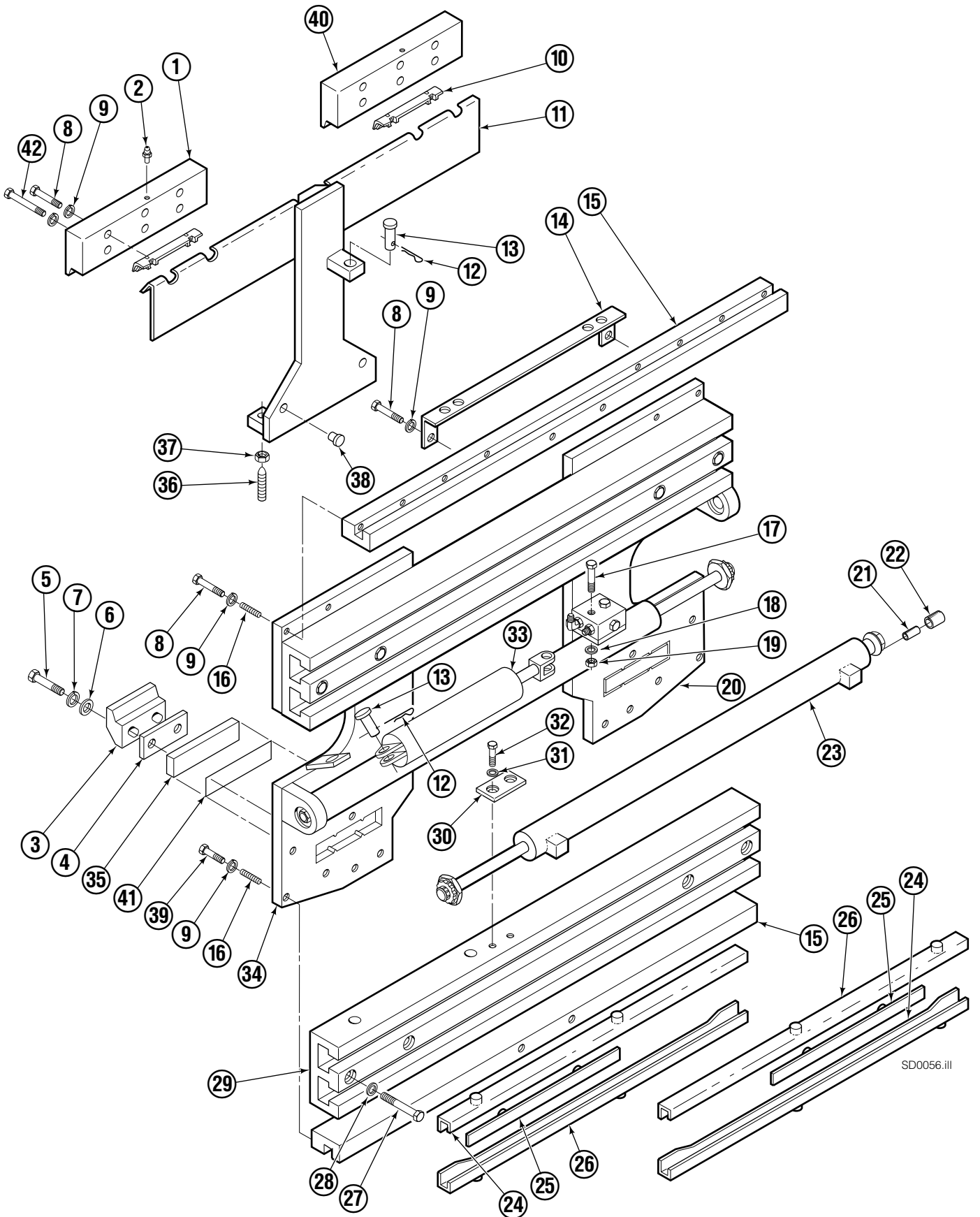


Part No. 679150
(1 Place & 1 Optional)



Part No. 665595
(2 Place & 2 Optional)

Base Unit and Mounting ITA Class III



SD0056.iii

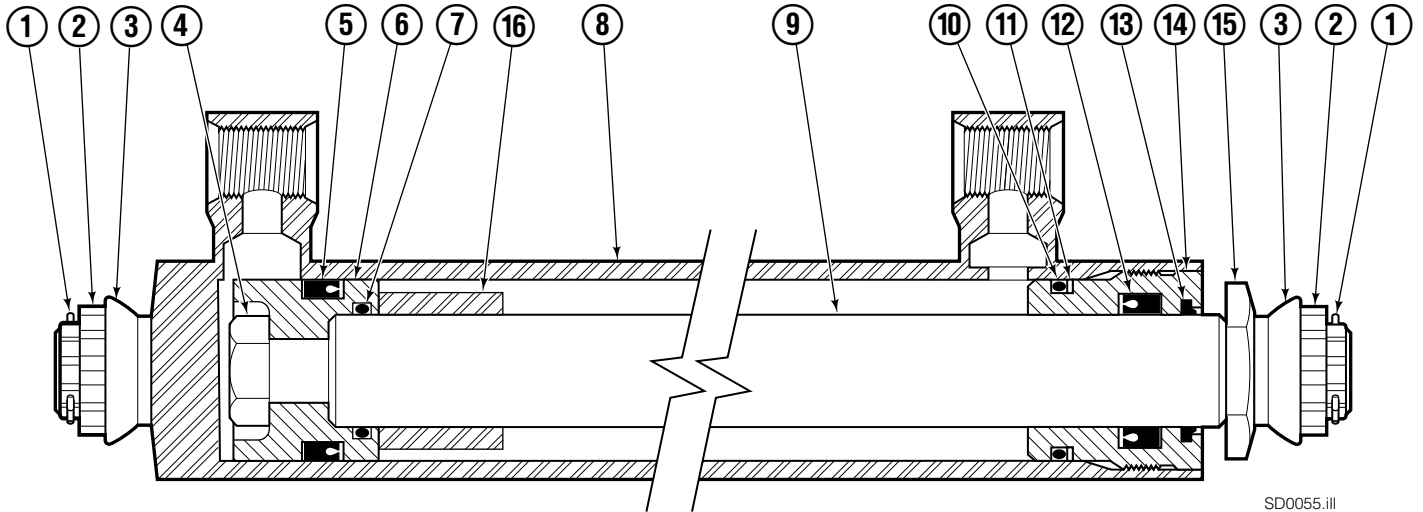
Base Unit and Mounting ITA Class III

50D							
REF	QTY	PART NO.	DESCRIPTION	REF	QTY	PART NO.	DESCRIPTION
		376257	Base Unit Group	21	2	7962	Roll Pin
		375155	Common Parts Group	22	2	7861	Roll Pin
		204276	Mounting Group	■23	2	204200	Cylinder
1	1	204265	Upper Hook–RH	24	4	208857	Bearing
2	4	7403	Grease Fitting	25	4	208858	Bearing
3	2	675969	Lower Hook	26	4	667663	Bearing
4	2	204273	Spacer	27	8	667909	Capscrew, 1/2NCx3.0
5	4	667808	Capscrew, 5/8NCx2.0 GR8	28	8	667910	Washer
6	4	667225	Washer	29	2	204255	Frame
7	4	6292	Lockwasher	30	2	376647	Stop
8	20	643539	Capscrew, 1/2NCx1.75 GR8	31	4	6288	Lockwasher, 3/8
9	30	6290	Lockwasher, 1/2	32	4	643524	Capscrew, 3/8NCx.75 GR8
10	2	672018	Bearing	◆33	1	675548	Sideshift Cylinder
11	1	204266	Anchor	34	1	376258	Mounting Plate–RH
12	2	672726	Cotter Pin	35	2	204212	Lower Bearing
13	2	678525	Pin	36	2	5027	Setscrew
14	1	205227	Bracket	37	2	5932	Nut
15	2	205222	Channel	38	2	200761	Thrust Plug
16	4	205324	Spring Pin	39	6	643538	Capscrew, 1/2NCx1.50 GR8
17	2	3559	Capscrew, 1/4NCx2.0 GR5	40	1	204267	Upper Hook–LH
18	2	6201	Washer, 1/4	41	2	204274	Strip
19	2	6097	Nut	42	4	643542	Capscrew, 1/2NCx2.75 GR8
20	1	376259	Mounting Plate–LH				

■ See Cylinder page for parts breakdown.

◆ See Sideshift Cylinder page for parts breakdown.

Cylinder

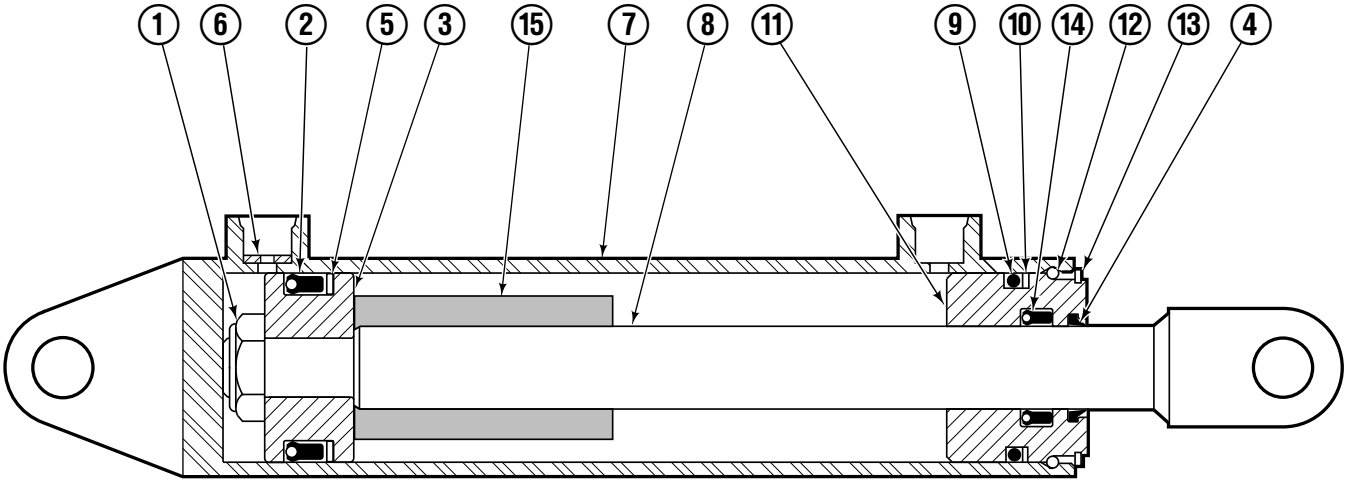


SD0055.iii

50D			
REF	QTY	PART NO.	DESCRIPTION
		204200	Cylinder Assembly
1	2	6510	Cotter Pin
2	2	667624	Retainer
3	2	667625	Nut
4	1	667623	Nut
■ 5	1	557598	Seal
6	1	559702	Piston
■ 7	1	2716	O-Ring
8	1	559662	Shell
9	1	416991	Rod
■ 10	1	2722	O-Ring
■ 11	1	615126	Back-up Ring
■ 12	1	662448	Seal
■ 13	1	636853	Wiper
14	1	413799	Retainer
15	1	667626	Washer
16	1	---	Spacer
		560729	Service Kit

■ Included in Service Kit 560729.

Sideshift Cylinder

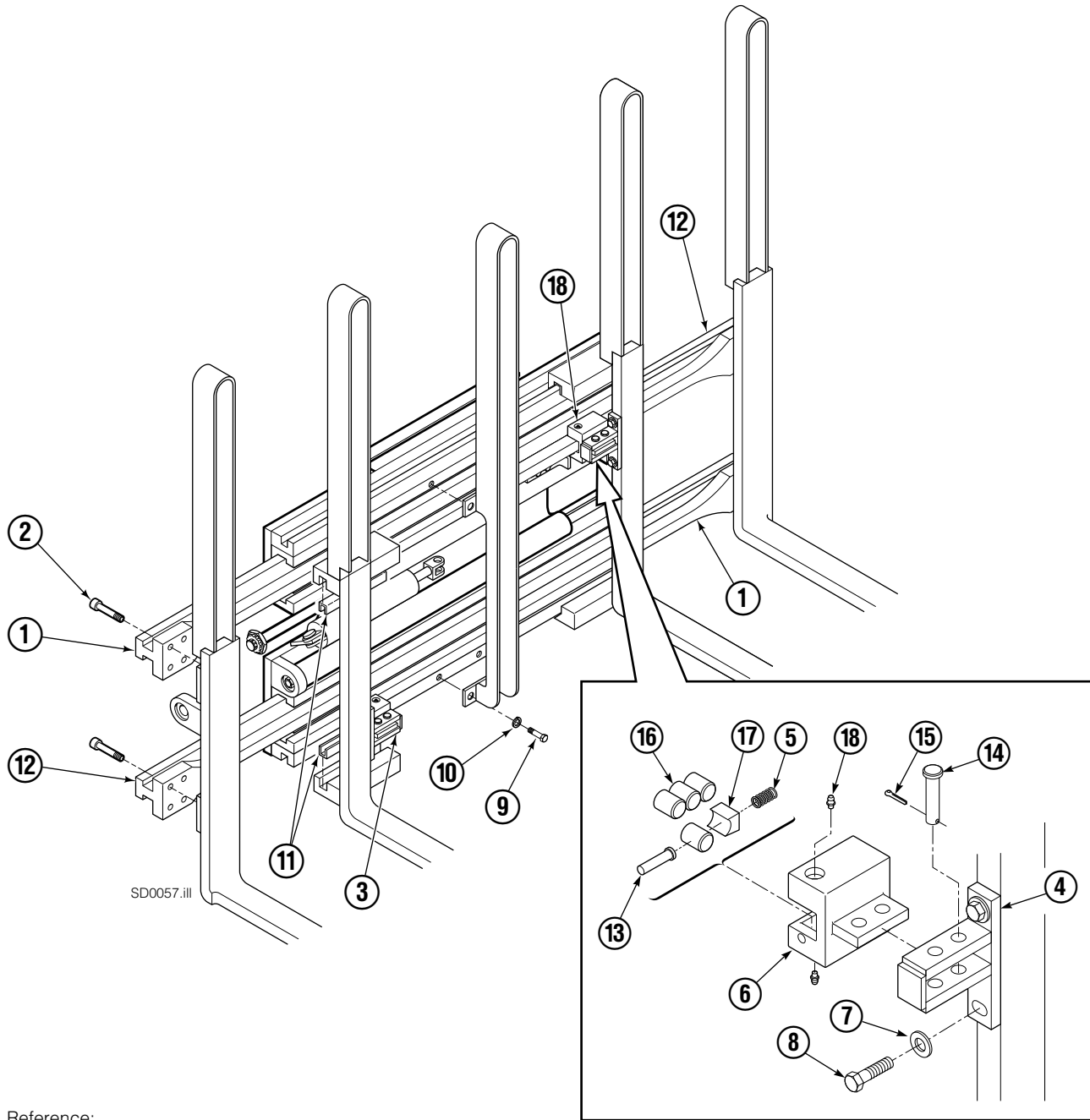


FP0079.ill

REF	QTY	PART NO.	DESCRIPTION
		675548	Cylinder Assembly
1	1	553857	Nut
■ 2	1	662452	Seal
3	1	553501	Piston
■ 4	1	636851	Wiper
■ 5	1	638247	Back-up Ring
6	1	675550	Washer (orifice .085)
7	1	675549	Shell
8	1	553449	Rod
■ 9	1	2785	O-Ring
■ 10	1	615128	Back-up Ring
11	1	553500	Retainer
12	1	553856	Retaining Ring
13	1	7202	Snap Ring
■ 14	1	641835	Seal
15	1	---	Spacer
		553861	Service Kit

■ Included in Service Kit 553861.

Arm Group

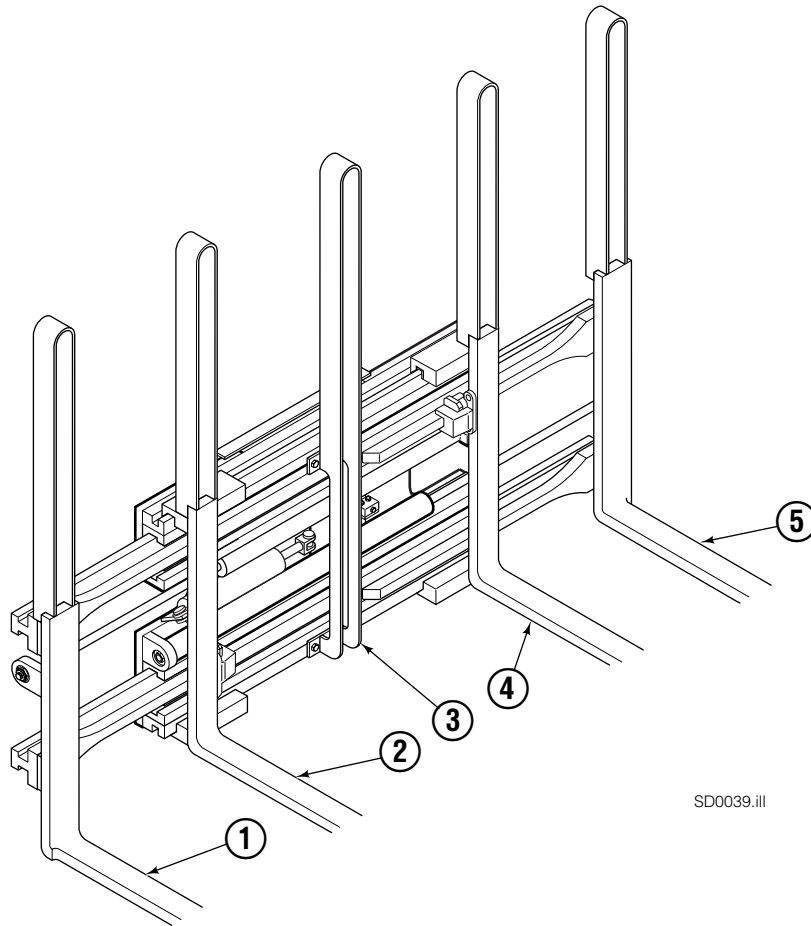


Reference:
 376257 Base Unit Group
 375155 Common Parts Group

50D							
REF	QTY	PART NO.	DESCRIPTION	REF	QTY	PART NO.	DESCRIPTION
		379037	Arm Group	9	4	633801	Capscrew
1	2	375137	Arm Bar	10	4	6290	Washer
2	16	607103	Capscrew, 3/4NCx1.50 GR8	11	4	209654	Bearing
3	2	209429	Roller Assembly	12	2	379038	Arm Bar
■ 4	1	209410	Anchor Plate	■ 13	1	209433	Pin
■ 5	1	211729	Spring	■ 14	2	674265	Clevis Pin
■ 6	1	209414	Housing	■ 15	2	6524	Cotter Pin
7	4	6455	Washer	■ 16	4	209430	Rod-Roller
8	4	4506	Capscrew	■ 17	1	209431	Spring Keeper

■ Included in Roller Assembly (Item 3).

Fork and Backrest Group Loop Backrest

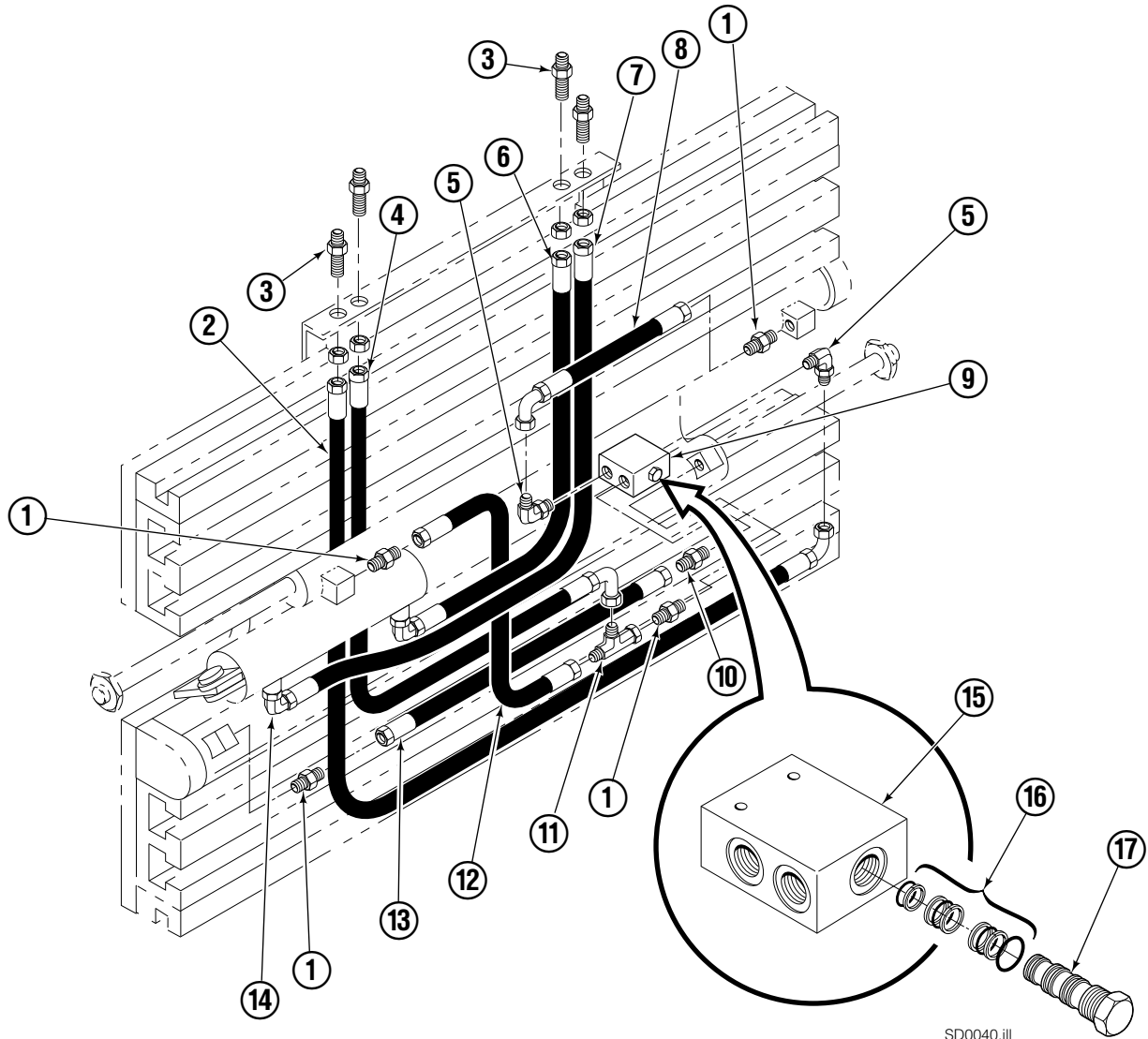


SD0039.iii

50D			
REF	QTY	36"x 54"■ PART NO.	DESCRIPTION
		377589	Fork and Backrest Group
1	1	377600	Outer Fork-RH
2	1	377596	Inner Fork-RH
3	1	359767	Center Backrest
4	1	377594	Inner Fork-LH
5	1	377598	Outer Fork-LH

■ Fork length x backrest height.

Hydraulics



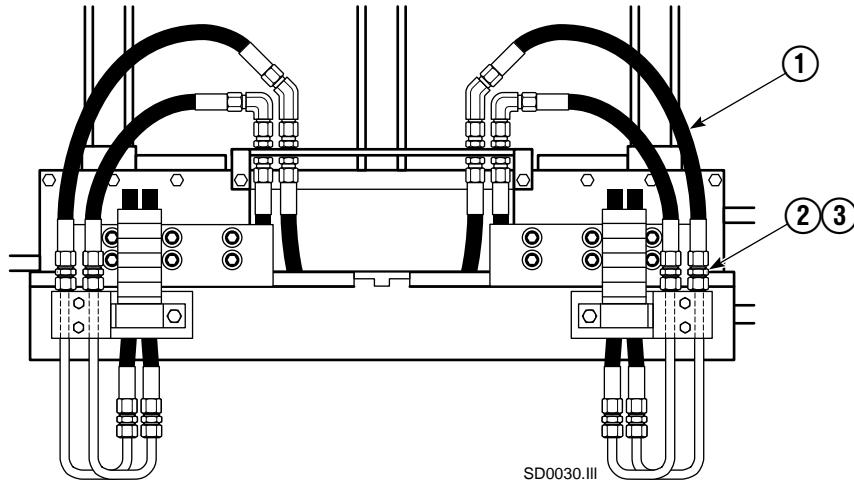
SD0040.ill

50D			
REF	QTY	PART NO.	DESCRIPTION
1	4	611288	Fitting, 6-8
2	1	205226	Hose
3	4	2375	Fitting, 6-6
4	1	205246	Hose
5	2	601676	Fitting, 6-6
6	1	205224	Hose
7	1	205223	Hose
8	1	375156	Hose
■ 9	1	204223	Valve Assembly
10	2	604511	Fitting, 6-6
11	1	611329	Fitting, 6-6
12	1	204224	Hose
13	1	676085	Hose
14	2	666984	Fitting, 4-6
15	1	204222	Valve Body
16	1	204951	Service Kit
17	1	201527	Valve Cartridge

■ Includes items 15-17.

Reference:
376257 Base Unit Group
375155 Common Parts Group

Installation Kit



REF	QTY	PART NO.	DESCRIPTION
		205854	Installation Kit
1	4	2161	Hose
2	4	2347	Fitting, 6-6
3	4	674294	Fitting, 6-8

Do you have questions you need answered right now? Call your nearest Cascade Parts Department.

Cascade Corporation

2201 NE 201st
Troutdale, OR 97060
Tel: 1-800-CAS-CADE
503-669-6300
FAX: 503-669-6338

Cascade Canada Inc.

5570 Timberlea Blvd.
Mississauga, Ontario
Canada L4W-4M6
Tel: 905-629-7777
FAX: 905-629-7785

Cascade GmbH

D-41199 Monchengladbach
Klosterhofweg 52
Germany
Tel: 21-66-602091
FAX: 21-66-680947

Cascade N.V.

Kirkkokatu 1
48100 Kotka
Finland
Tel: 52-184393
FAX: 52-184833

**Cascade N.V.
European Headquarters**

P.O. Box 3009
1300 El Almere
Damsluisweg 56
1332 ED Almere
The Netherlands
Tel: 31-36-5492911
FAX: 31-36-5492964

**Cascade N.V.
Benelux Sales and Service**

P.O. Box 3009
1300 El Almere
Damsluisweg 56
1332 ED Almere
The Netherlands
Tel: 31-36-5492950
FAX: 31-36-5492974

Cascade (UK) Ltd.

15, Orgreave Crescent
Dore House Industrial Estate
Handsworth
Sheffield S13 9NQ
England
Tel: 742-697524
FAX: 742-695121

**Cascade Scandinavia
Hydraulik A.B.**

Muskötgatan 19, E8-9
S25466 Helsingborg
Sweden
Tel: 42-151135
FAX: 42-152997

Cascade France S.A.R.L.

11, Rue Jean Charcot
Zone Industrielle Sud or
B.P. 22
91421 Morangis Cedex
France
Tel: 1-64547500
FAX: 1-64547501

Cascade Hispania S.A.

Avenida De La Fabregada, 7
Hospitalet De Llobregat
Barcelona
Spain
Tel: 3-335-5158
FAX: 3-335-4756

Cascade Japan Ltd.

5-5-41,
Torikai Kami
Settsu, Osaka
Japan, 566
Tel: 81-726-53-3490
FAX: 81-726-53-3497

Cascade Korea

Room 508, Pum Yang Bldg.
750-14, Bang Bac-Dong
Se-Cho Ku, Seoul
Korea
Tel: 2599-7131 ext. 512
FAX: 2533-8089

HYCO-Cascade Pty. Ltd.

87 Antimony Street
Carole Park,
Brisbane 4300
Australia
Tel: 7-271-1966
FAX: 7-271-3830

HYCO-Cascade (NZ) Ltd.

23 Haseler Crescent
P.O. Box 38-440
Howick, Auckland
New Zealand
Tel: 9-273-9136
FAX: 9-273-9137

Cascade (Africa) Pty. Ltd.

P.O. Box 625, Isando 1600
60A Steel Road
Sparton, Kempton Park
South Africa
Tel: 975-9240
FAX: 394-1147

Cascade-Xiamen

Wanshan No. 1 Workshop
Huli Road
Xiamen 361006
Fujian, PRC
Tel: 592-562-4600
FAX: 592-562-4671

Sunstream Industries

PTE Ltd.

No. 3 Tuas Link 1
Singapore 2263
Tel: 863-3488
FAX: 863-1368

