



Parts Manual

Model 60G Roll Clamp

Serial Number 60G-RCP-252

cascade[®]
corporation

For Technical Assistance call: 800-227-2233, Fax: 888-329-8207

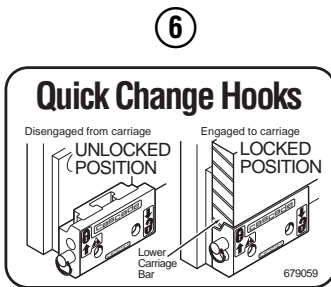
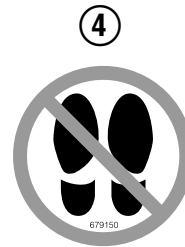
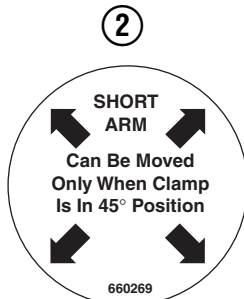
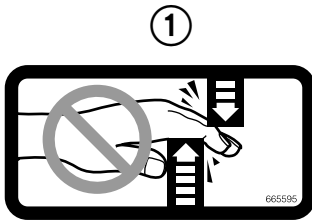
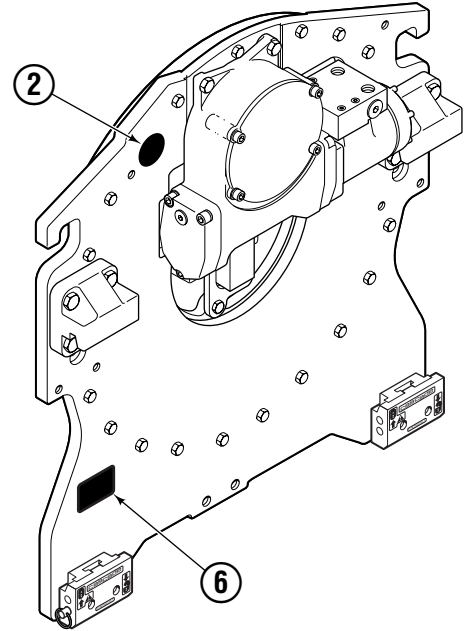
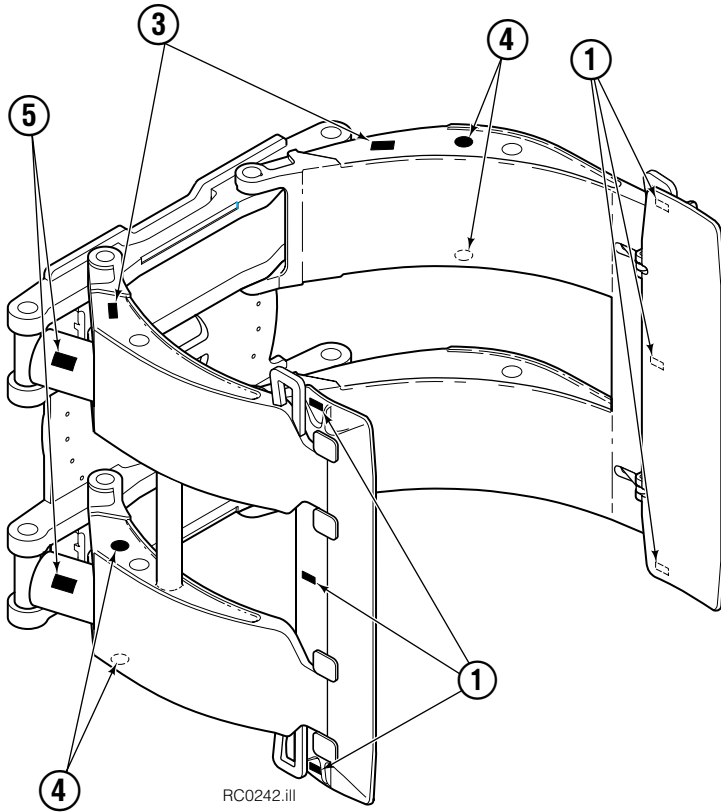
To Order Parts call: 888-227-2233, Fax: 888-329-0234

OR

Write: Cascade Corporation, P.O. Box 20187, Portland, OR 97220

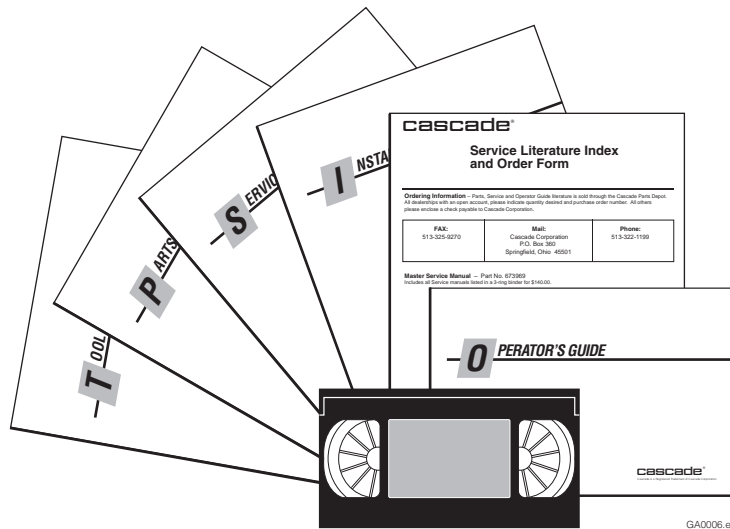
Internet: www.cascorp.com

Decals



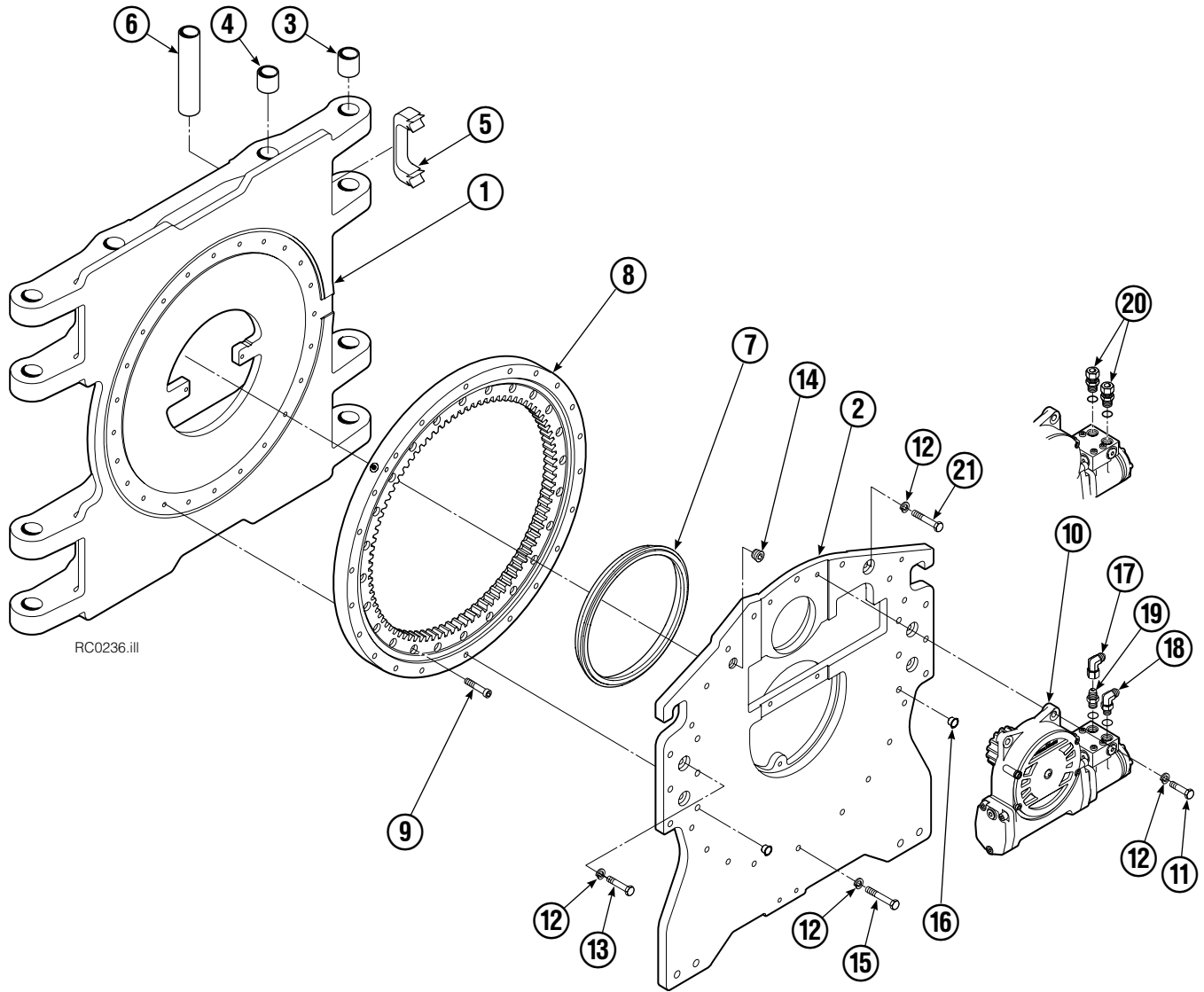
60G				
REF	QTY	PART NO.	DESCRIPTION	
1	4	665595	No Hand Hold Decal	
2	2	660269	Short Arm Rotation Position Decal	
3	6	656038	Caution Decal	
4	4	679150	No Step Decal	
5	4	665677	Trapped Pressure Decal	
6	1	679059	Quick-Change Hook Decal	
7	1	671167	Oil Fill Tag (not shown)	
		212926	Decal Kit, (items 1-7)	

Publications



60G	
PART NO.	DESCRIPTION
216498	Parts Manual
213744	Service Manual
210135	Operator's Guide
212420	Installation Instructions - Fixed Frame
677555	Driver Training Video - VHS
679929	Tool Catalog
673964	Literature Index Order Form

Frame Group

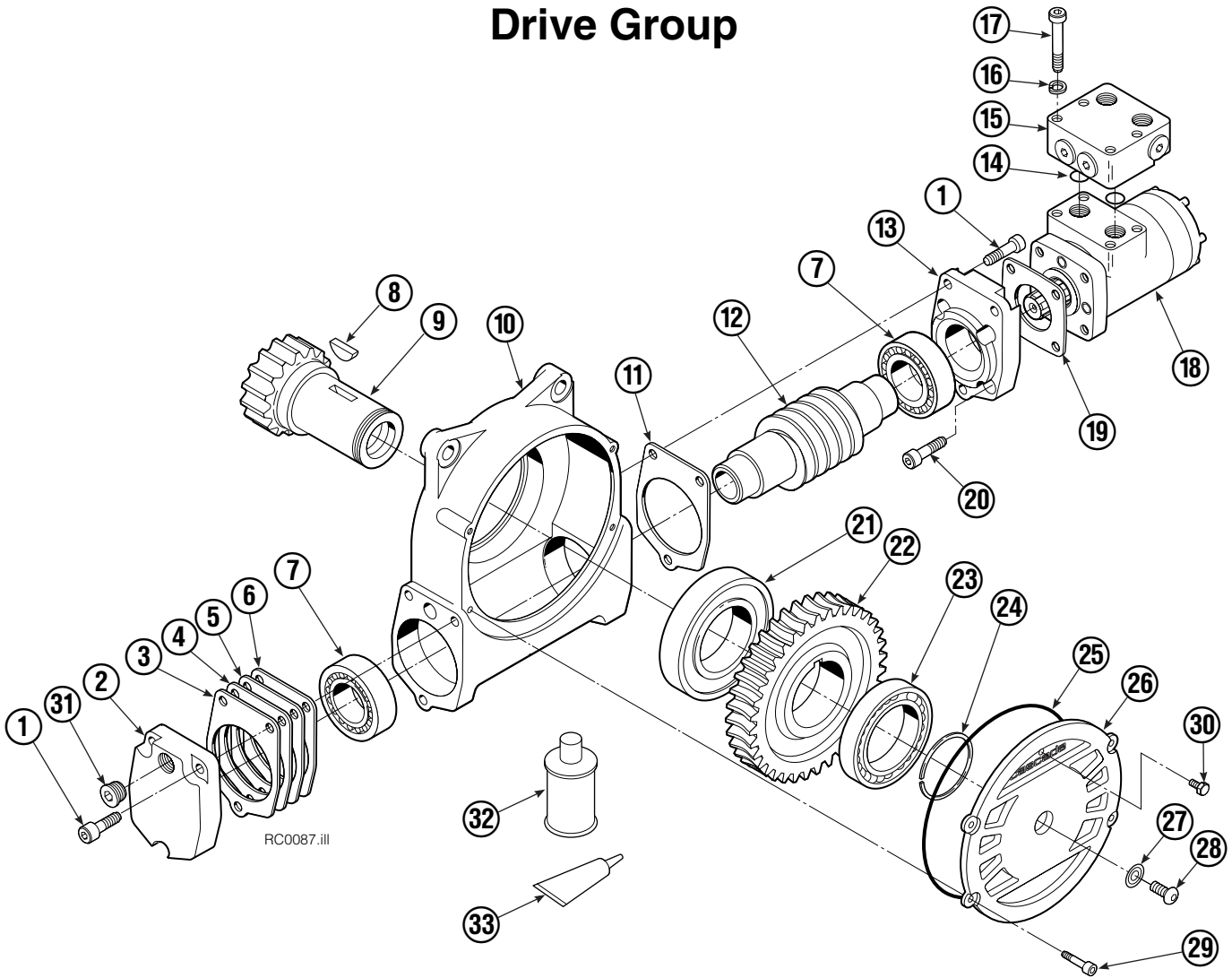


60G							
REF	QTY	PART NO.	DESCRIPTION	REF	QTY	PART NO.	DESCRIPTION
		6028412	Frame Group w/o Stop – 80 in. ▲	11	4	211689	Capscrew, M12 x 30
1	1	6028413	Frame w/o Stop – 80 in.	12	26	683822	Lockwasher, M12
2	1	209940	Baseplate w/o Stop	13	4	206174	Capscrew, M12 x 45
3	8	211718	Bearing	14	1	6605	Fitting, 3/4 in.
4	8	211717	Bearing	15	18	213633	Capscrew, M12 x 55
5	4	211712	Hose Guard	16	2	631428	Plug
6	4	209987	Spacer	17	1	605761	Fitting, 8-8 SAE
7	1	209944	Seal	18	1	601250	Fitting, 8-8 SAE
8	1	213761	Bearing Assembly	19	1	601377	Fitting, 8-8 SAE
9	24	767596	Capscrew, M12 x 40		2	765492	Fitting, 8 SAE – M10 L-Series
10	1	212308	Drive Group – 2.2 c.i. Motor ●	20	2	765493	Fitting, 8 SAE – M12 L-Series
10	1	795491	Drive Group – 2.8 c.i. Motor ●		2	756920	Fitting, 8 SAE – M12 S-Series

▲ Maximum roll handling capacity.
 ● See Drive Group page for parts breakdown.
 Reference: S-4165, S-4506, S-4189, S-4159.

Baseplate & Rotator Group 213763.
 Fitting Group 212367.
 Common Parts 213762.

Drive Group

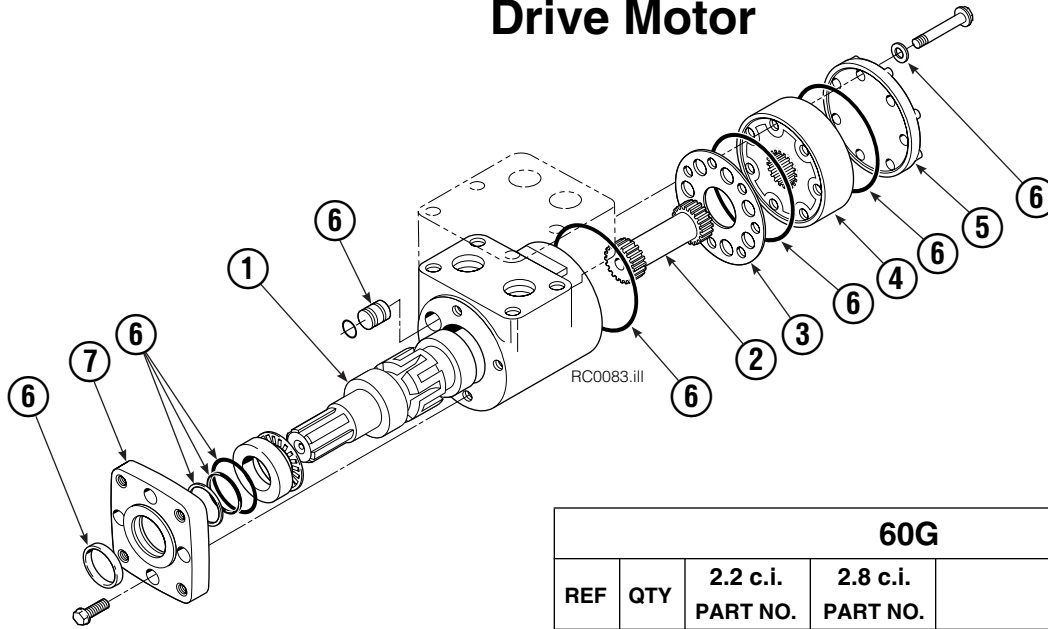


60G							
REF	QTY	PART NO.	DESCRIPTION	REF	QTY	PART NO.	DESCRIPTION
		212308	Drive Group with 2.2 c.i. Motor	19	1	670575	Gasket
		795491	Drive Group with 2.8 c.i. Motor	20	4	4468	Capscrew, 3/8 NC x .75 GR8
1	6	768826	Capscrew, M12 x 25	21	1	670580	Bearing
2	1	795258	Cover	22	1	675609	Worm Gear
3	●	674513	Shim - .005" (blue)	23	1	670581	Bearing
4	●	670574	Shim - .010" (brown)	24	1	7214	Snap Ring
5	●	671757	Shim - .015" (pink)	25	1	204970	Gasket
6	●	671758	Shim - .020" (yellow)	26	1	775552	Cover
7	2	670579	Bearing	27	1	783609	Seal
8	1	670582	Key	28	1	783608	Capscrew, M12 x 16
9	1	670506	Pinion	29	4	775639	Capscrew, M8 x 20
10	1	775551	Housing	30	1	644010	Relief Fitting
11	1	686465	Gasket	31	1	602580	Fitting, 8
12	1	675608	Worm	32	1	656300	Gear Box Lube - 48 oz.
13	1	775553	Adapter	33	1	668184	Sealant
14	2	2705	O-Ring			670578	Shim Service Kit (items 3-6,11,25,33)
15	1	670549	Check Valve			675637	Bearing Service Kit (items 21 & 33)
16	4	6444	Lockwasher			675638	Bearing Service Kit (items 3-7,11,25)
17	4	607059	Capscrew, 5/16 NC x 1.75 GR8			212919	Motor Kit-2.2 (items 11,14,18,19,20,33)
18	1	210139	Drive Motor - 2.2 c.i. ▲			206394	Motor Kit-2.8 (items 11,14,18,19,20,33)
18	1	206392	Drive Motor - 2.8 c.i. ▲				

● Quantity as required.

▲ See Drive Motor page for parts breakdown.

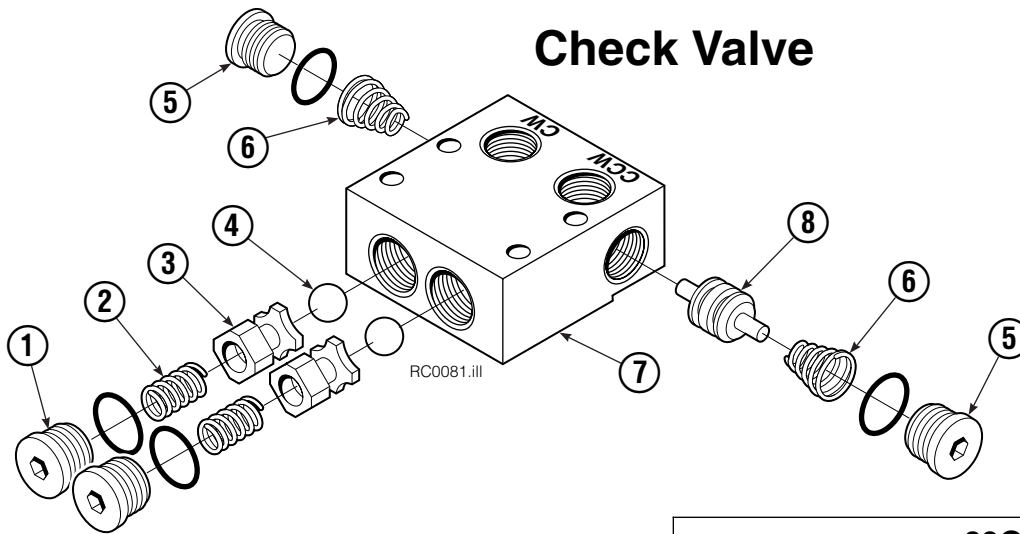
Drive Motor



60G				
REF	QTY	2.2 c.i. PART NO.	2.8 c.i. PART NO.	DESCRIPTION
		210139	206392	Drive Motor
1	1	675478	675478	Shaft
2	1	675477	675477	Drive Link
3	1	211528	675479	Spacer Plate
4	1	210137	675480	Geroler/Gerotor Set
5	1	211527	675482	End Cap
6	1	206405	206405	Service Kit ●
7	1	685090	685090	Flange

Cascade provides service replacement parts for the listed parts only. Due to cost, if others parts need replacement, the complete Drive Motor should be replaced.

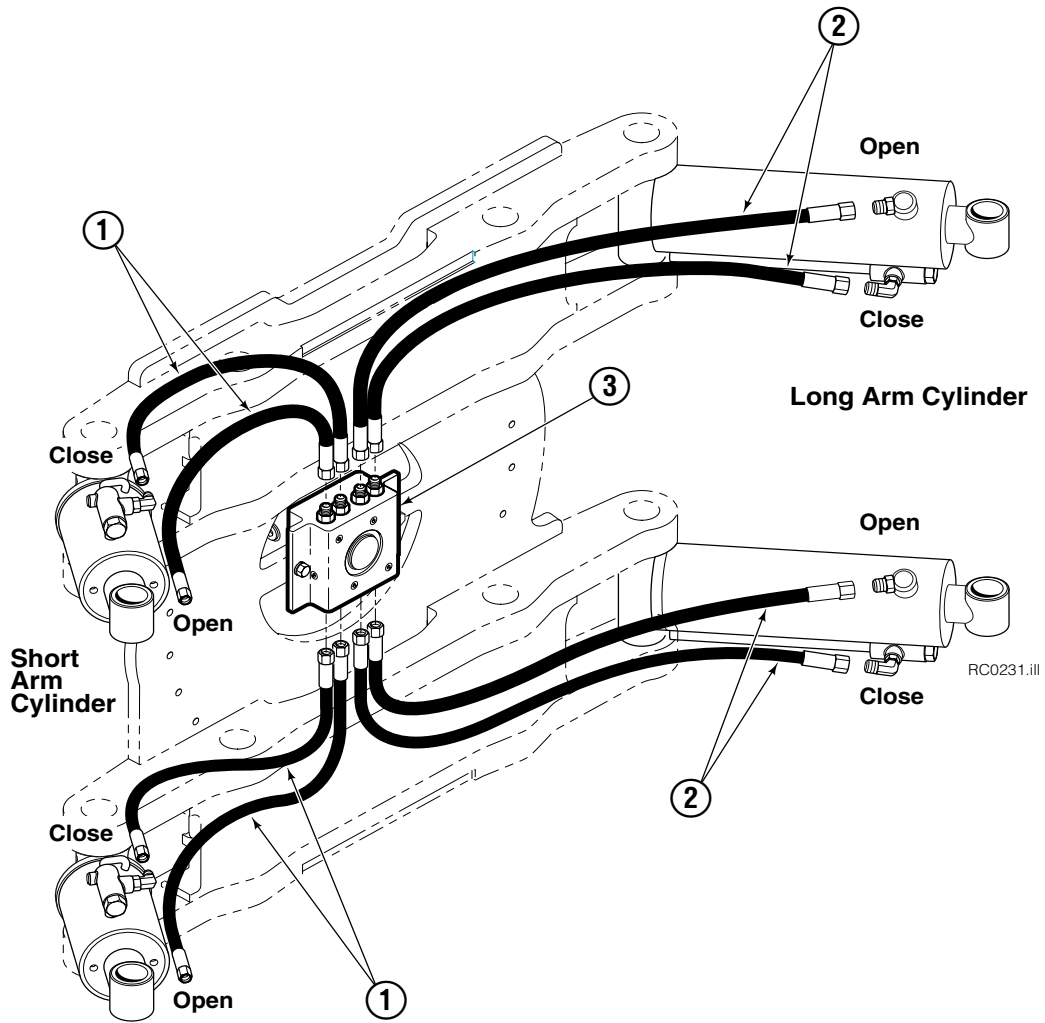
Check Valve



60G			
REF	QTY	PART NO.	DESCRIPTION
		670549	Check Valve Assembly
1	2	609453	Fitting, 10
2	2	670552	Spring
3	2	670551	Guide
4	2	7020	Ball
5	2	602580	Fitting, 8
6	2	673989	Spring
7	1	670550	Body
8	1	670553	Spool

Hosing Group

Positioned Short Arm



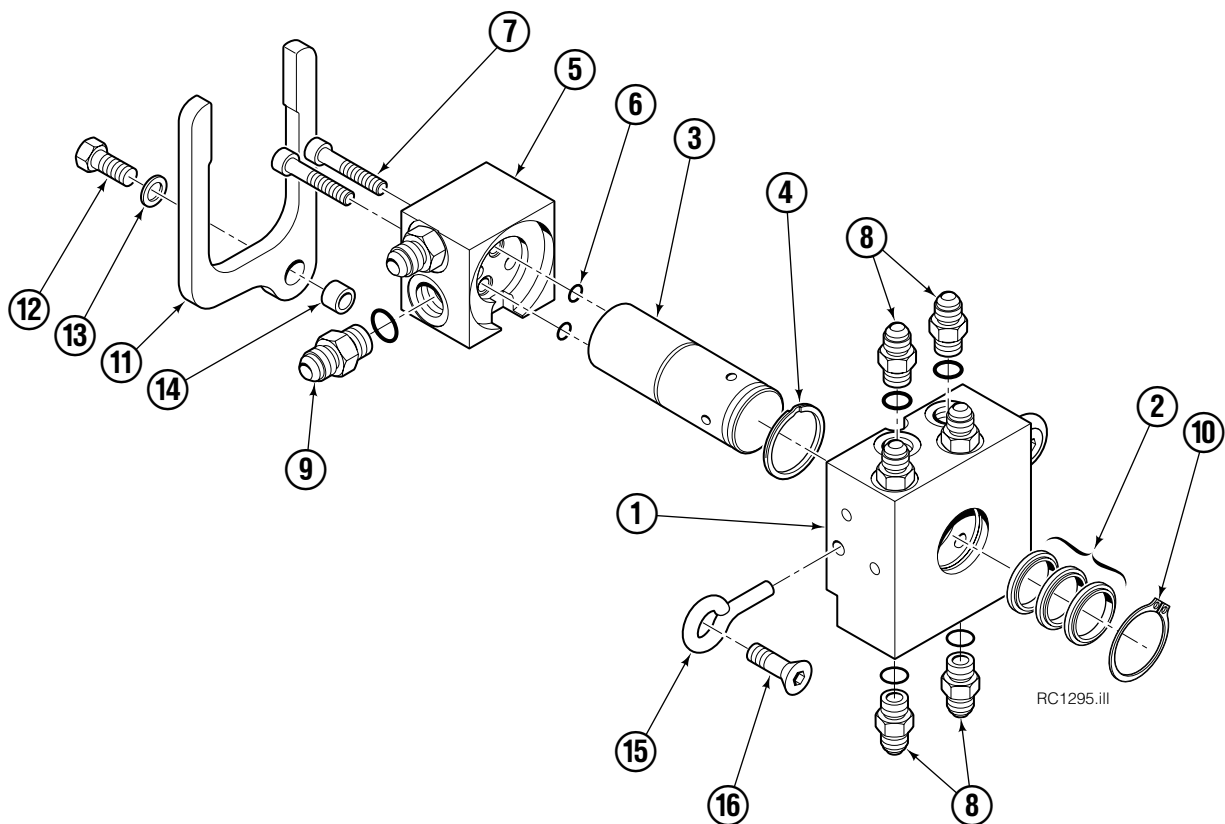
REF	QTY	PART NO.	DESCRIPTION
		213972	Hose Group
1	4	213994	Hose
2	4	213995	Hose
3	1	▲	Revolving Connection

■ Maximum roll handling capacity.

▲ See Revolving Connection page for part number.

Reference: S-4193, S-4194.

Revolving Connection



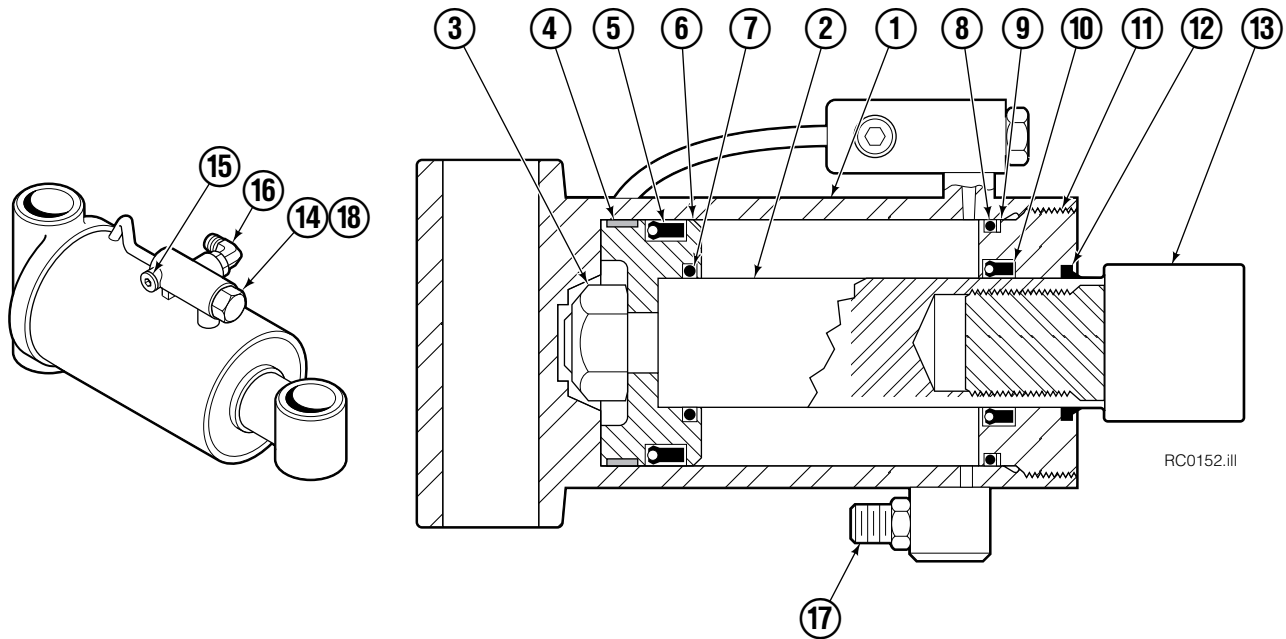
RC1295.iii

60G			
REF	QTY	PART NO.	DESCRIPTION
		6023703	Revolving Connection Group
		6023446	Revolving Connection ●
1	1	6023548	Valve Body
2	3	214649	◆ Seal
3	1	6023523	Shaft
4	1	7341	◆ Retaining Ring
5	1	6023542	End Block
6	2	684587	◆ O-Ring
7	2	766123	Capscrew, M8 x 50
8	8	604511	Fitting, 6-6
9	2	601377	Fitting, 8-8
10	1	3138	◆ Retaining Ring
11	1	211909	End Block Retainer
12	1	215480	Capscrew, M10 x 25
13	1	206322	Washer, M10
14	1	212725	Spacer
15	2	227962	Eye Pin
16	2	768697	Capscrew, M10 x 25

◆ Included in Service Kit 6024395.

● Revolving Connection 6023446 includes items 1-10.

Long Arm Cylinder



60G			
REF	QTY	Long Arm	
		80 in. ■	
		PART NO.	DESCRIPTION
		6019397	Cylinder Assembly
1	1	4195-426	Shell
2	1	4130-410	Rod

■ Maximum roll handling capacity.

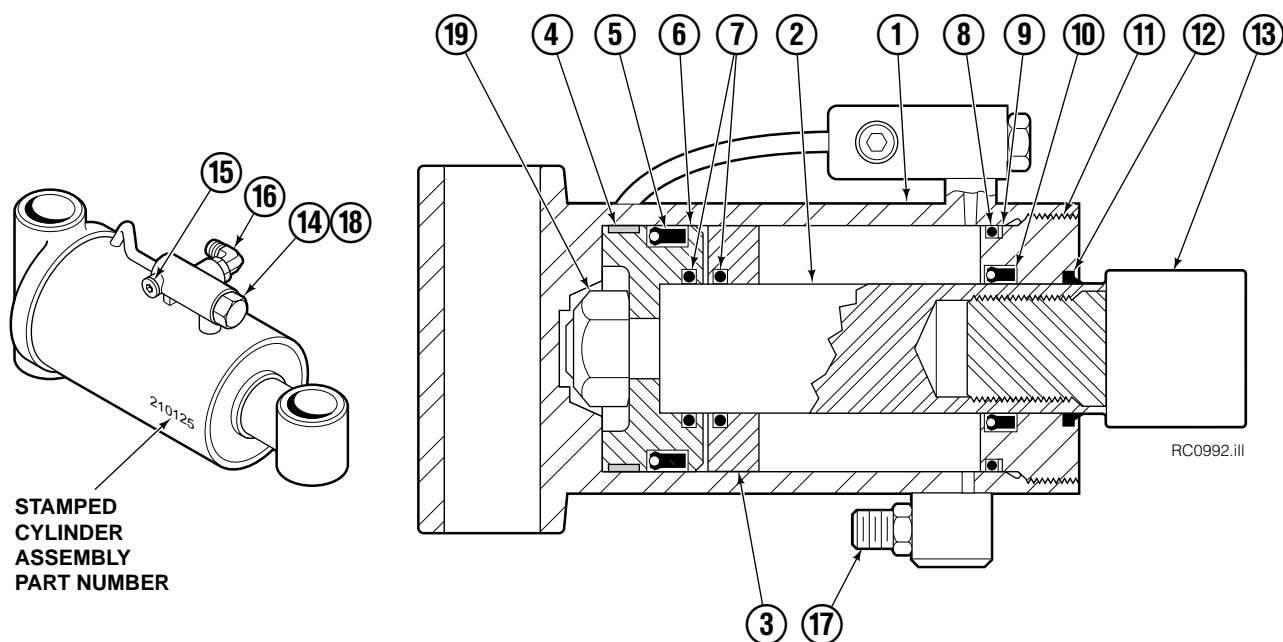
Common Parts

REF	QTY	PART NO.	DESCRIPTION	REF	QTY	PART NO.	DESCRIPTION
3	1	560997	Nut	12	1	564443	Wiper ▲
4	1	211295	Wear Ring ▲	13	1	209764	Rod Eye
5	1	564902	Seal ▲	14	1	659058	Check Valve
6	1	211292	Piston	15	1	609234	Fitting, 4
7	1	210087	O-Ring ▲	16	1	601676	Fitting, 6-6
8	1	564445	O-Ring ▲	17	1	604511	Fitting, 6-6
9	1	564446	Back-Up Ring ▲	18	1	667516	Check Valve Service Kit
10	1	564442	Seal ▲			210133	Cylinder Service Kit
11	1	209763	Retainer				

▲ Included In Service Kit 210133.

Reference: S-4454, S-4460.

Cylinders



60G			
REF	QTY	Short Arm	
		80 in. ■	
		PART NO.	DESCRIPTION
		6015235	Cylinder Assembly
1	1	4195-181	Shell
2	1	4130-335	Rod
3	1	—	Spacer

■ Maximum roll handling capacity.

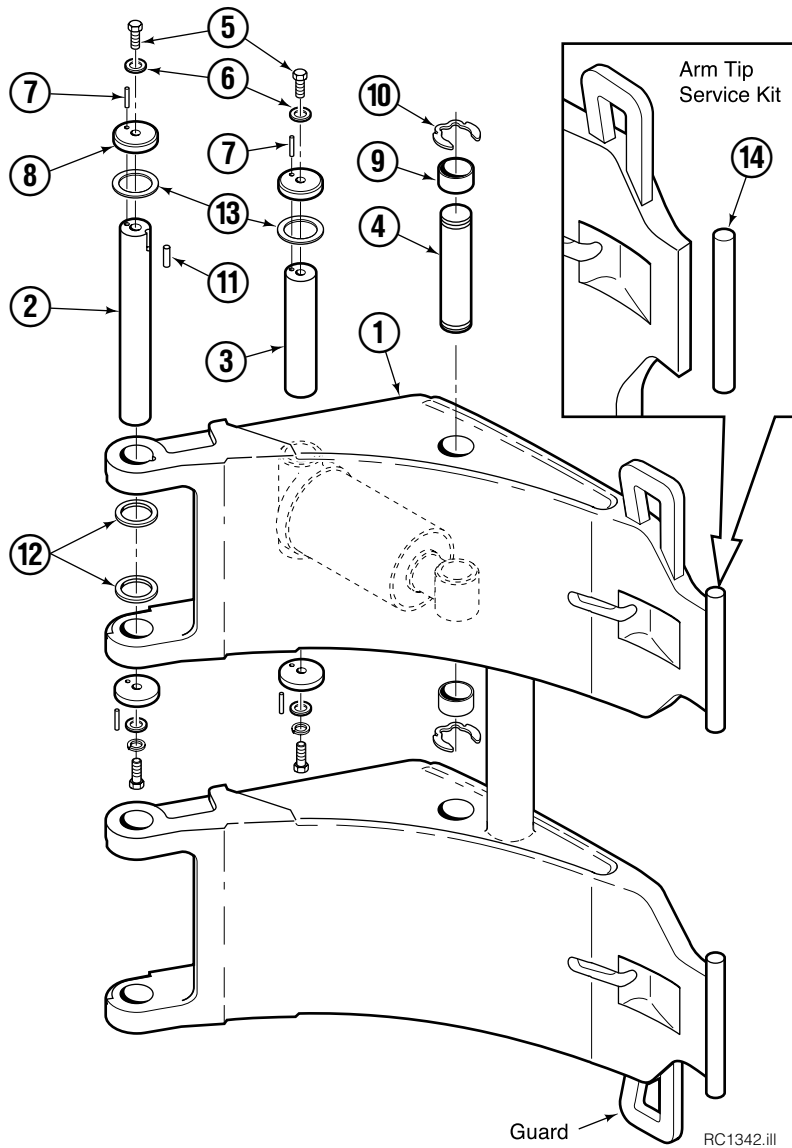
Common Parts

REF	QTY	PART NO.	DESCRIPTION	REF	QTY	PART NO.	DESCRIPTION
4	1	211295	Wear Ring ▲	13	1	209764	Rod Eye
5	1	564902	Seal ▲	14	1	659058	Check Valve
6	1	211292	Piston	15	1	609234	Fitting, 4
7	2	210087	O-Ring ▲	16	1	601676	Fitting, 6-6
8	1	564445	O-Ring ▲	17	1	604511	Fitting, 6-6
9	1	564446	Back-Up Ring ▲	18	1	667516	Check Valve Service Kit
10	1	564442	Seal ▲	19	1	560997	Nut
11	1	209763	Retainer			210133	Cylinder Service Kit
12	1	564443	Wiper ▲				

▲ Included In Service Kit 210133.

Reference: S-4454, S-4460.

Short Arm

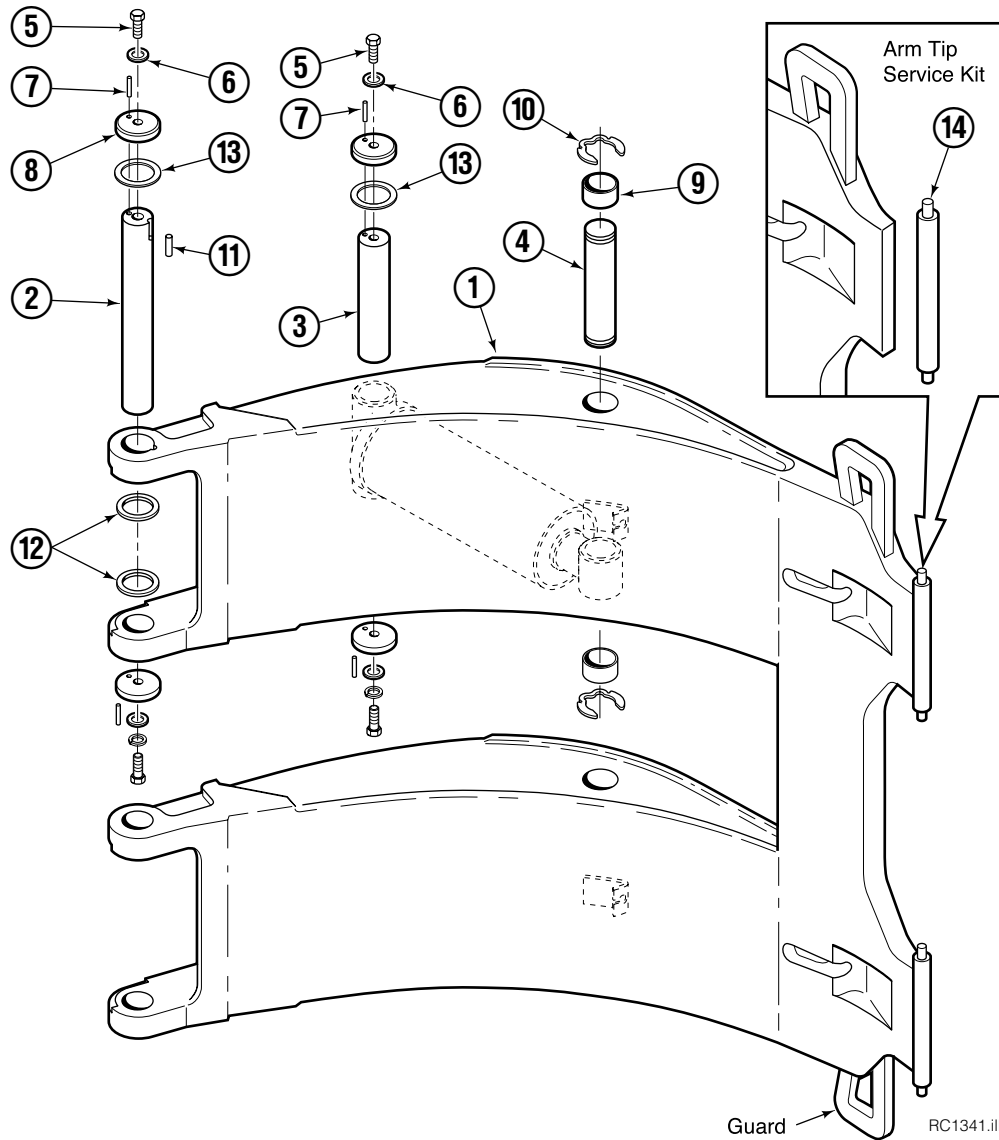


60G			
REF	QTY	80 in. ■	DESCRIPTION
		PART NO.	
		6028402	Arm Group
1	1	6028403	Short Arm

■ Maximum roll handling capacity.

REF	QTY	PART NO.	DESCRIPTION	REF	QTY	PART NO.	DESCRIPTION
2	2	6017336	Arm Pivot Pin	9	4	210080	Bearing
3	2	6023679	Cylinder Pivot Pin	10	4	209986	Retaining Ring
4	2	4175-150	Cylinder Rod Pivot Pin	11	2	212382	Dowel Pin, 8x16 mm
5	8	3007512	Capscrew, M12 x 25	12	16	209941	Shim - .062 in.
6	8	209019	Washer, M12	13	8	213029	Shim
7	8	209776	Roll Pin	14	1	212902	Arm Tip Service Kit
8	8	6017339	Cap				

Long Arm

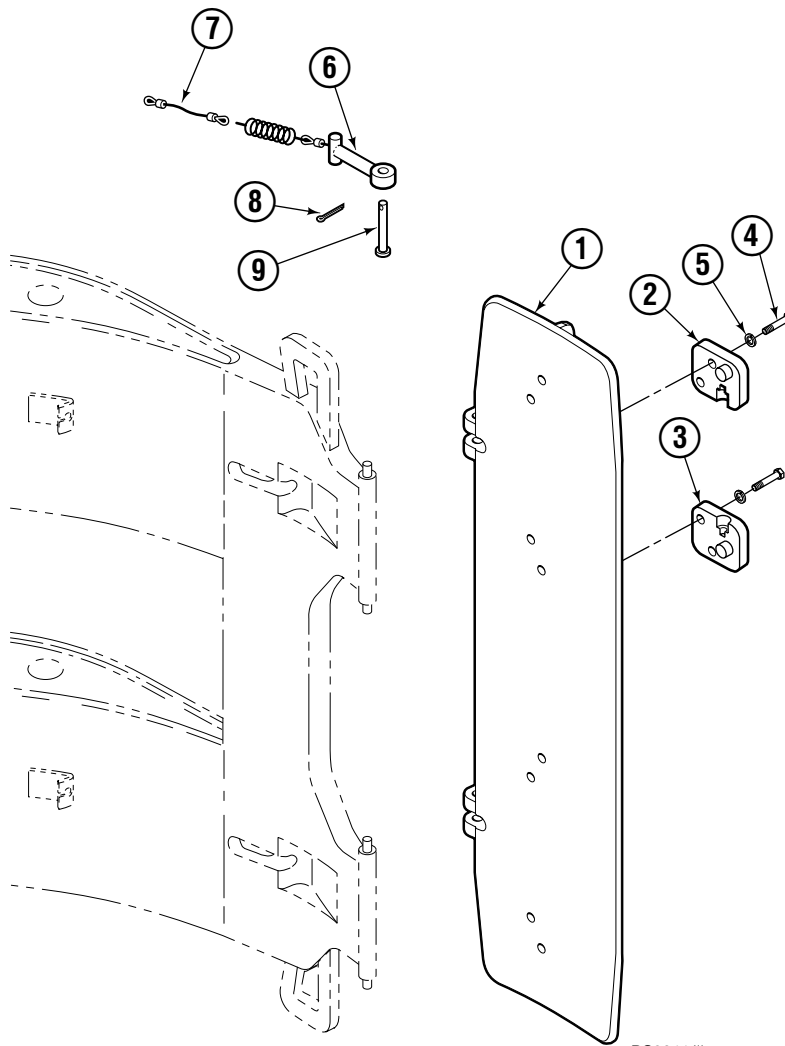


60G			
REF	QTY	80 in. ■	DESCRIPTION
		PART NO.	
		6028407	Arm Group w/o Guard
1	1	6028408	Long Arm w/o Guard

■ Maximum roll handling capacity.

REF	QTY	PART NO.	DESCRIPTION	REF	QTY	PART NO.	DESCRIPTION
2	2	6017336	Arm Pivot Pin	9	4	210080	Bearing
3	2	6023679	Cylinder Pivot Pin	10	4	209986	Retaining Ring
4	2	4175-150	Cylinder Rod Pivot Pin	11	2	212382	Dowel Pin, 8x16 mm
5	8	3007512	Capscrew, M12 x 25	12	16	209941	Shim - .062 in.
6	8	209019	Washer, M12	13	8	213029	Shim
7	8	209776	Roll Pin	14	1	212902	Arm Tip Service Kit
8	8	6017339	Cap				

Pad Group – Long Arm



RC0244.ill

60G			
REF	QTY	80 in. ■	DESCRIPTION
		PART NO.	
		6028479	Contact Pad Group
1	1	6028219	Contact Pad

▲ Driver's view, clamp in horizontal position, Long Arm up.

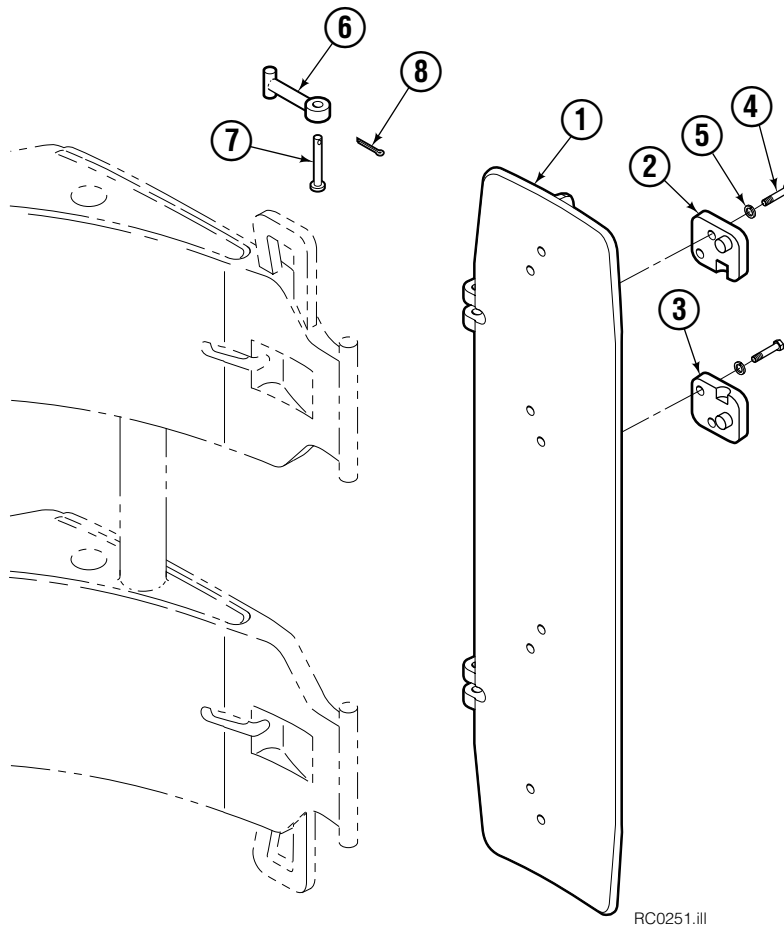
Common Parts

REF	QTY	PART NO.	DESCRIPTION
		212934	Common Parts Group
2	2	211997	Retainer, R.H. ▲
3	2	211998	Retainer, L.H. ▲
4	8	763021	Capscrew, M12
5	8	681473	Lockwasher, M12
6	2	209916	Link Assembly
7	2	4182-280	Cable
8	2	674265	Clevis Pin
9	2	6525	Cotter Pin

▲ Driver's view, clamp in horizontal position, Long Arm up.

Reference: S-4176, S-4177.

Pad Group — Short Arm



RC0251.ill

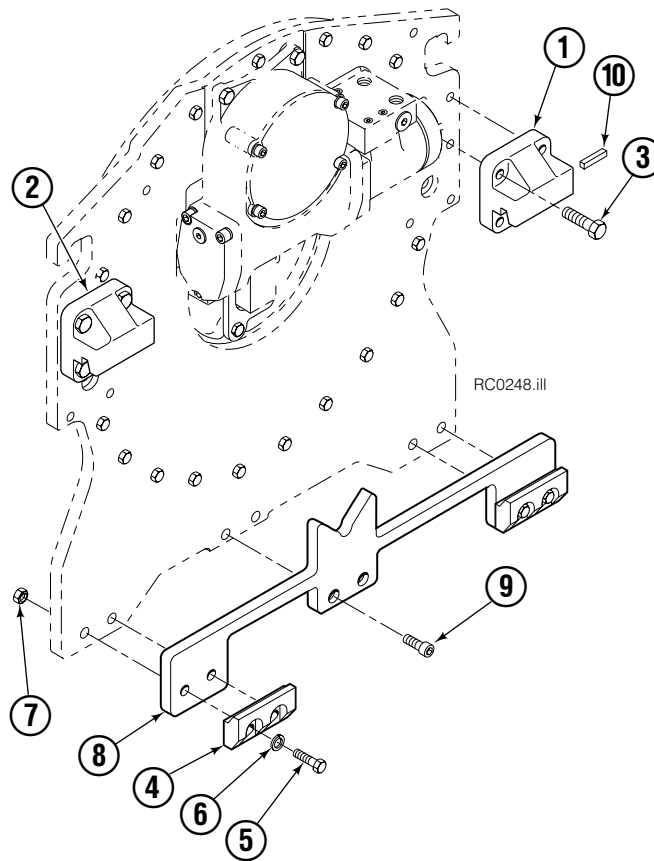
REF	QTY	PART NO.	DESCRIPTION
		6028480	Pad Group
1	1	6028219	Contact Pad
2	2	209904	Retainer, RH ▲
3	2	209905	Retainer, LH ▲
4	8	767810	Capscrew, M12x25
5	8	681473	Lockwasher, M12
6	2	209909	Link
7	2	674265	Clevis Pin
8	2	6525	Cotter Pin

▲ Driver's view, clamp in horizontal position, Short Arm up.

Reference: S-4176, S-4177.

Common Parts: 212935.

Mounting Group



Class III, 2°

REF	QTY	PART NO.	DESCRIPTION
		209926	Mounting Group
1	1	209932	Upper Hook – RH
2	1	209933	Upper Hook – LH
3	4	779010	Capscrew, M16 x 35
4	2	675969	Lower Hook
5	4	678997	Capscrew, M16 x 70
6	4	667225	Washer, .625 in. I.D.
7	4	781534	Nut, M16
8	1	209936	Spacer
9	2	213771	Capscrew, M12 x 25
10	1	669344	Stop Kit

Do you have questions you need answered right now? Call your nearest Cascade Parts Department.

Cascade Corporation

2501 Sheridan Avenue
Springfield, OH 45505
Tel: 888-CASCADE (227-2233)
FAX: 888-329-0234
www.cascorp.com

Cascade Canada Inc.

5570 Timberlea Blvd.
Mississauga, Ontario
Canada L4W-4M6
Tel: 905-629-7777
FAX: 905-629-7785

Cascade GmbH

D-41199 Monchengladbach
Klosterhofweg 52
Germany
Tel: 49-216-668230
FAX: 49-216-6682323

Cascade Finland

Albert Petreliuksenkatu 3
01370 Vantaa
Finland
Tel: 358-9-836-1925
FAX: 358-9-836-1935

**Cascade N.V.
European Headquarters**

P.O. Box 3009
1300 El Almere
Damluisweg 56
1332 ED Almere
The Netherlands
Tel: 31-36-5492911
FAX: 31-36-5492964

**Cascade N.V.
Benelux Sales and Service**

P.O. Box 3009
1300 El Almere
Damluisweg 56
1332 ED Almere
The Netherlands
Tel: 31-36-5492950
FAX: 31-36-5492974

Cascade (UK) Ltd.

15, Orgreave Crescent
Dore House Industrial Estate
Handsworth
Sheffield S13 9NQ
England
Tel: 742-697524
FAX: 742-695121

Cascade Scandinavia AB

Box 124
Hammarvägen 10
567 23 Vaggeryd
Sweden
Tel: 42-0-393-36950
FAX: 46-0-393-36959

Cascade Norway

Østerliveien 37A
1153 Oslo
Norway
Tel: 47-22-743160
FAX: 47-22-743157

Cascade France S.A.R.L.

1D Rue De Charaintru
BP 18, 91360 Epinay-Sur-Orge
Morangis Cedex, France
Tel: 33-1- 64547500
FAX: 33-1-64547501

Cascade Hispania S.A.

Carrer 5 Sector C
Zona Franca Duanera
Poligono de la Zon Franca
08040 Barcelona, Spain
Office No. 256
Tel: 93-264-07-30
FAX: 93-264-07-31

Cascade Japan Ltd.

5-5-41,
Torikai Kami
Settsu, Osaka
Japan, 566
Tel: 81-726-53-3490
FAX: 81-726-53-3497

Cascade Korea

108B, Namdong Ind Complex
658-3 Gojan-Dong
Namdong-Gu
Inchon, 405-310 Korea
Tel: 82-32-821-2051
FAX: 82-32-821-2055

Cascade Australia

1445 Ipswich Road
Rocklea, QLD 4106
Australia
Tel: 1-800227-223
FAX: (07) 3373-7333

Cascade New Zealand

15 Ra Ora Drive
East Tamaki, Auckland
New Zealand
Tel: 9-273-9136
FAX: 9-273-9137

Cascade (Africa) Pty. Ltd.

P.O. Box 625, Isando 1600
60A Steel Road
Sparton, Kempton Park
South Africa
Tel: 27-11-975-9240
FAX: 27-11-394-1147

Cascade-Xiamen

No. 668 Yangguant Rd.
Xinyang Industry Zone
Haicant, Xiamen City
Fujian Province
P.R. China 361026
Tel: 86-592-651-2500
FAX: 86-592-651-2571

**Cascade (Singapore)
Trading Co.**

Four Seasons Park
Autumn Block - Apt. 1802
12 Cuscaden Walk
Singapore
Tel: 65-834-1935
FAX: 65-834-1936

