



# Parts Manual

---

Model Push-Pull

Serial Number 35E-PB-211

---

**cascade**<sup>®</sup>

For Technical Assistance and to Order Parts . . .

Call: 1-800-CASCADE or 503-669-6300

OR

Write: Cascade Corporation, P.O. Box 20187, Portland, OR 97294-0187

# Publications



GA0006.eps

PART NO.	DESCRIPTION
	Parts Manual
686455	Service Manual
684945	Operators Guide
685531	Operators Pocket Guide
684944	Installation Instructions
680664	Servicing Cascade Cylinders-VHS
679929	Tool Catalog
673964	Literature Index Order Form

# Decals



Optional Faceplate Extension



Part No. 679150  
(1 Place & 1 optional)



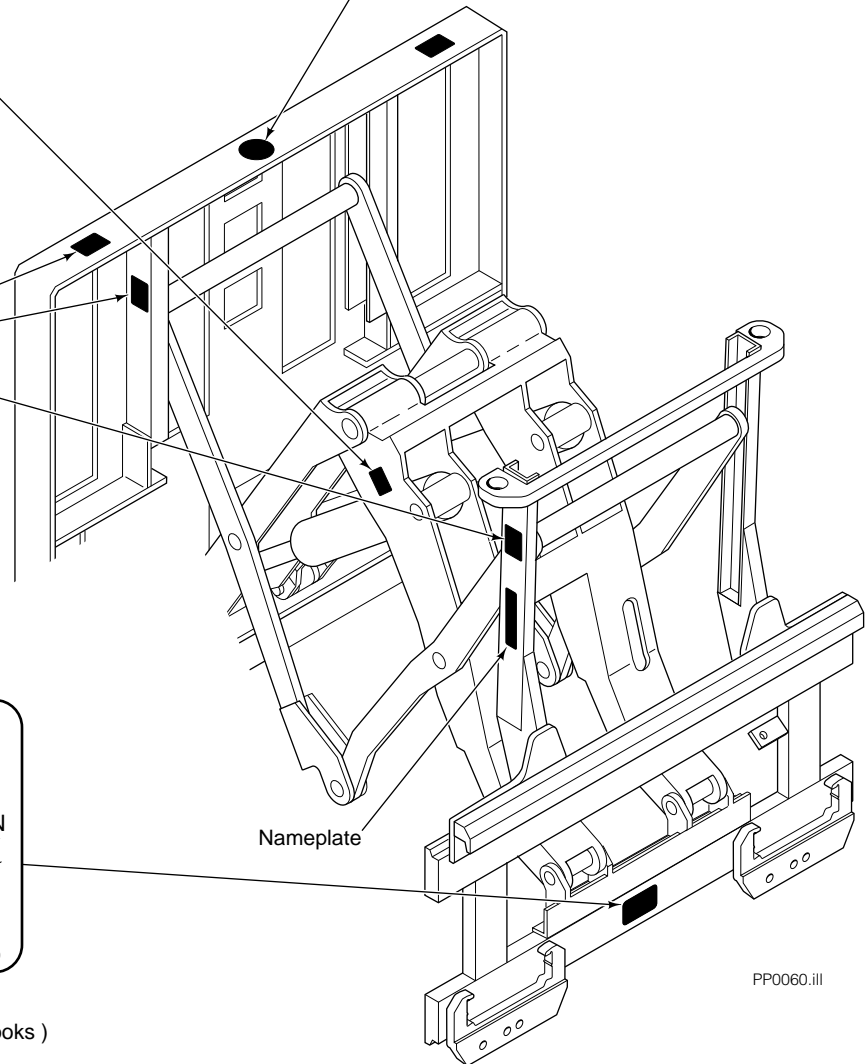
Part No. 665595  
(2 Place & 2 optional)



Part No. 656038  
(6 Places)



Part No. 679059  
(1 Place if equipped with Quick Change Hooks)



Nameplate

PP0060.iii

# Platens



**Note:** Usable platen lengths are determined by measuring from the faceplate (fully retracted position) to the platen tip or total platen length minus 4 1/2".

REF	QTY	PART NO.	DESCRIPTION
		685751	Platen Group
1	1	685752	Platen L. H.
2	1	685753	Platen R. H.
3	2	622907	Pin
4	2	8007	Rivet
5	2	622908	Spring
6	2	622897	Handle
7	2	■ 685533	Upper Hook Assembly
8	4	685677	Capscrew
9	★	206969	Shim (.030)
10	2	682851	Lower Hook
11	4	667225	Washer
12	4	779009	Capscrew
13	●	688379	Shim (.060)

★ As required.

● As required (2 maximum)

■ Items 3 through 6 are included in Upper Hook Assembly 688386.

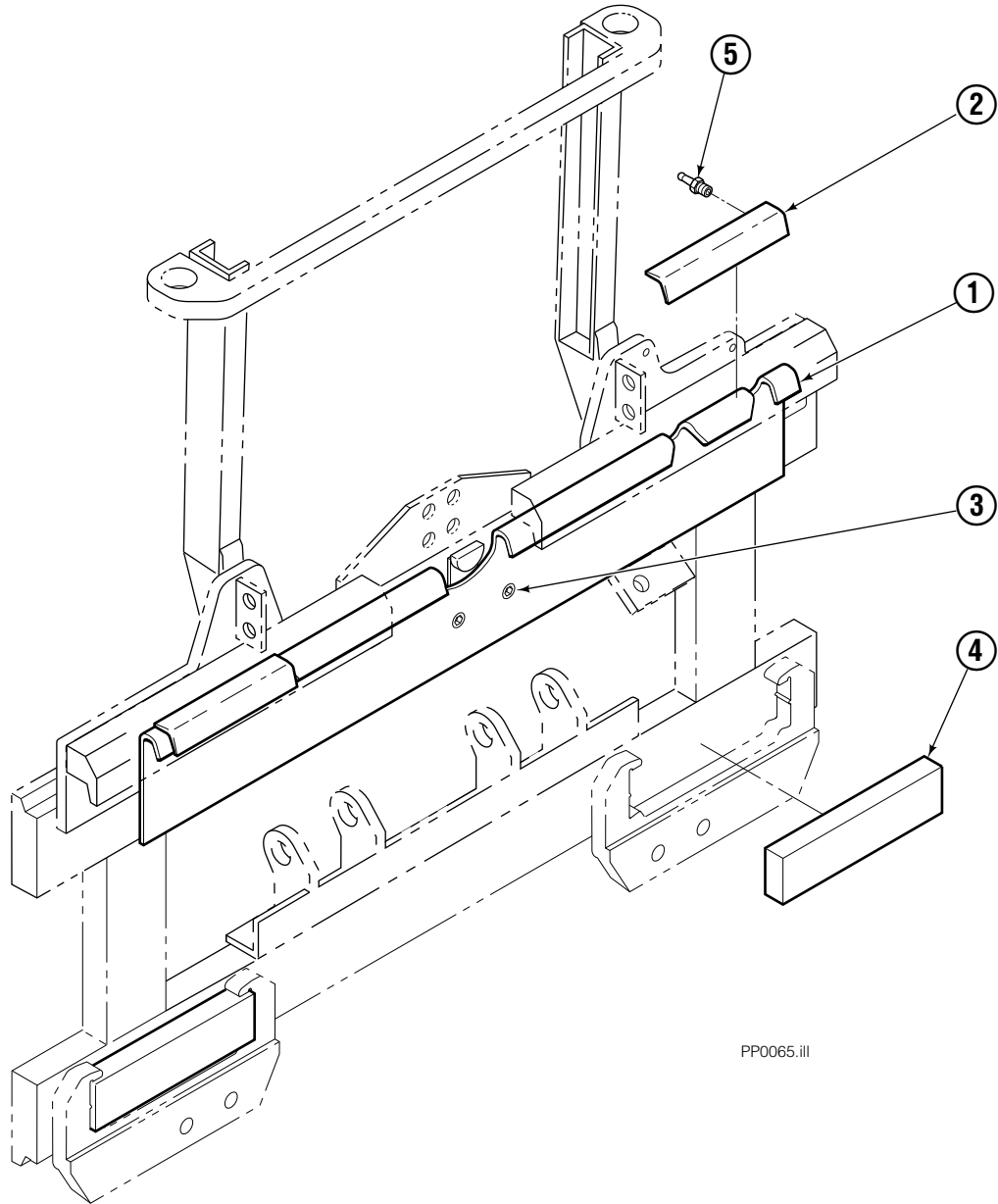
Ref: S-3408

# Frame Group ITA II



35E/45E			
REF	QTY	PART NO.	DESCRIPTION
		204649	Frame Group
1	1	204651	Frame
2	3	2453	Fitting, 6-6
3	1	686509	Tube
4	1	686510	Tube
5	1	2680	Fitting, 6-6
6	1	2375	Fitting, 6-6
7	2	683001	Washer
8	2	683142	Capscrew

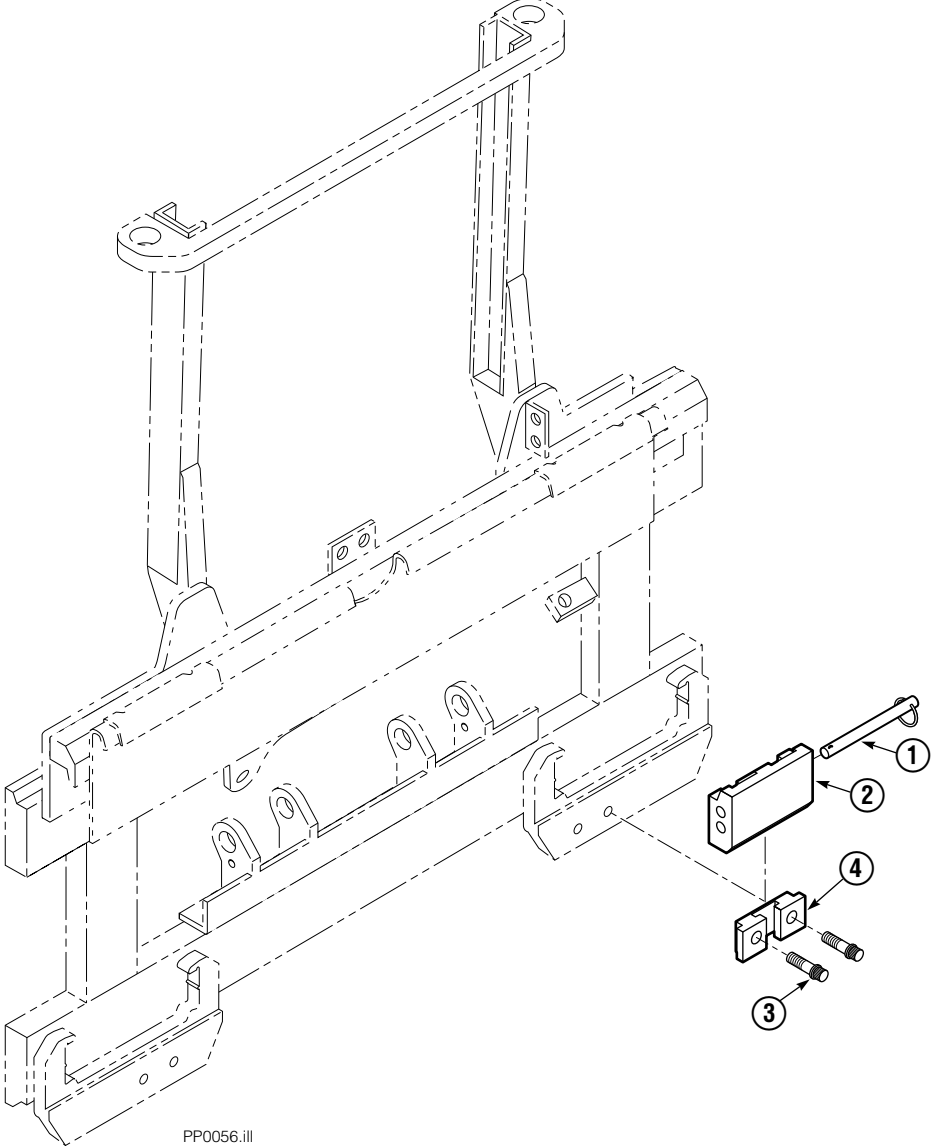
# Non S/S Mounting Group ITA II



PP0065.ill

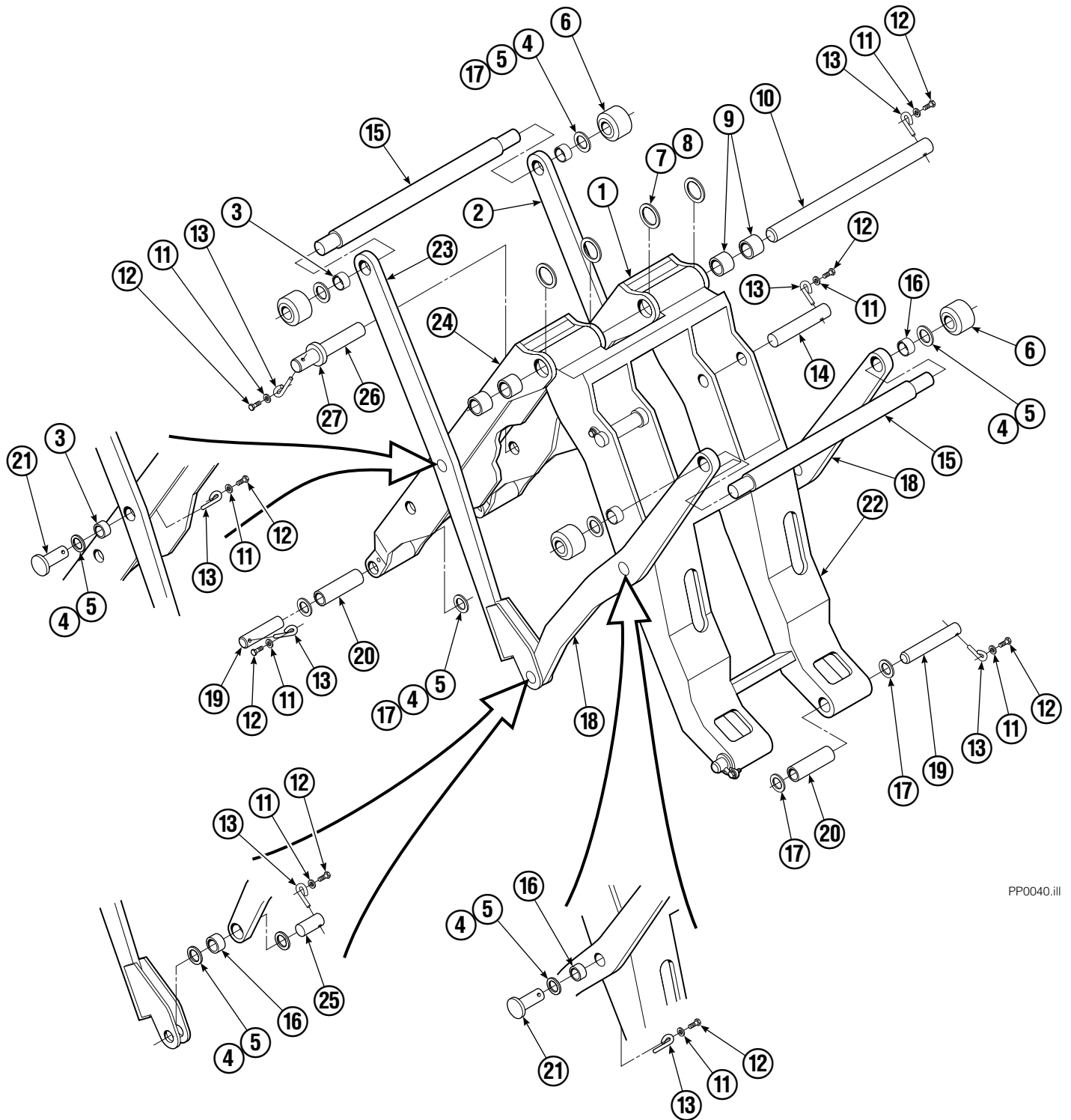
35E/45E			
REF	QTY	PART NO.	DESCRIPTION
		682832	Mounting Group-39" Wide
1	1	682550	Anchor Bracket-39" Wide
2	2	671165	Bearing Segment
3	2	768759	Setscrew
4	2	682814	Bearing
5	4	7403	Grease Fitting

# Quick-Change Lower Hook Group ITA II



35E/45E			
REF	QTY	PART NO.	DESCRIPTION
		683179	Lower Hook Group ITA II
1	2	678832	Pin
2	2	675514	Hook
3	4	683182	Capscrew
4	2	675515	Guide

# Mechanism Group



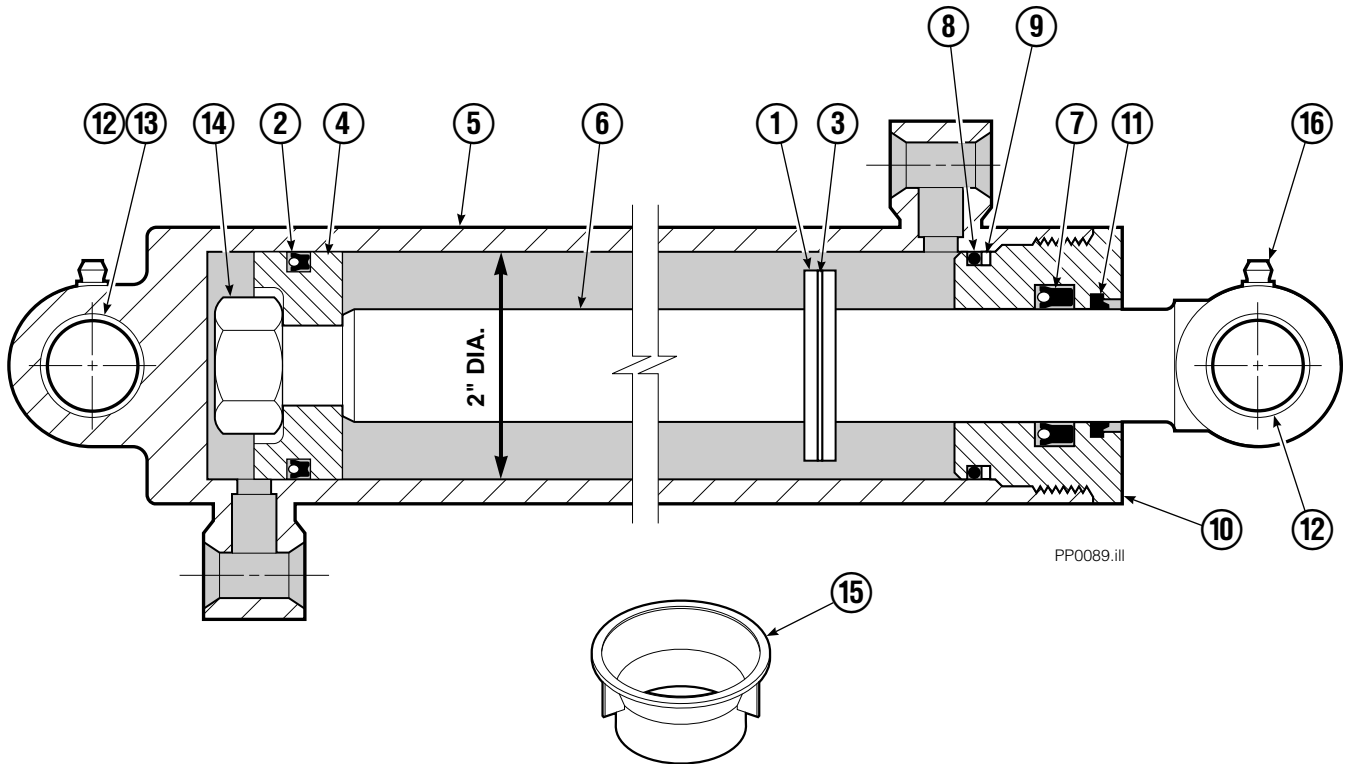
PP0040.ill

# Mechanism Group

35E/45E			
REF	QTY	PART NO.	DESCRIPTION
		364009	Mechanism Group
1	1	364240	Arm-Inner Secondary R. H.
2	1	204692	Arm-Secondary Outer R. H.
3	4	683154	■ Bushing
4	●	683161	Shim (.030)
5	●	683162	Shim (.060)
6	4	205070	Roller
7	●	683163	Shim (.030)
8	●	683164	Shim (.060)
9	4	683155	■ Bushing
10	1	682821	Pin
11	15	6229	Washer
12	15	685661	Capscrew
13	15	682999	Eye-Pin
14	2	682822	Pin-Head
15	2	205065	Pin
16	6	683153	■ Bushing
17	●	204532	Shim (.12)
18	2	204694	Arm-Outer Primary
19	4	204533	Pin-Frame
20	4	204535	■ Bushing
21	4	204695	Pin
22	1	364238	Arm-Inner Primary
23	1	204693	Arm-Secondary Outer L. H.
24	1	364239	Arm-Inner Secondary L. H.
25	2	204696	Pin-Outer
26	2	682823	Pin-Rod
27	2	683165	Spacer
28	6	7401	Grease Fitting

- Quantity as required.
- Included in Bushing Service Kit 205075.

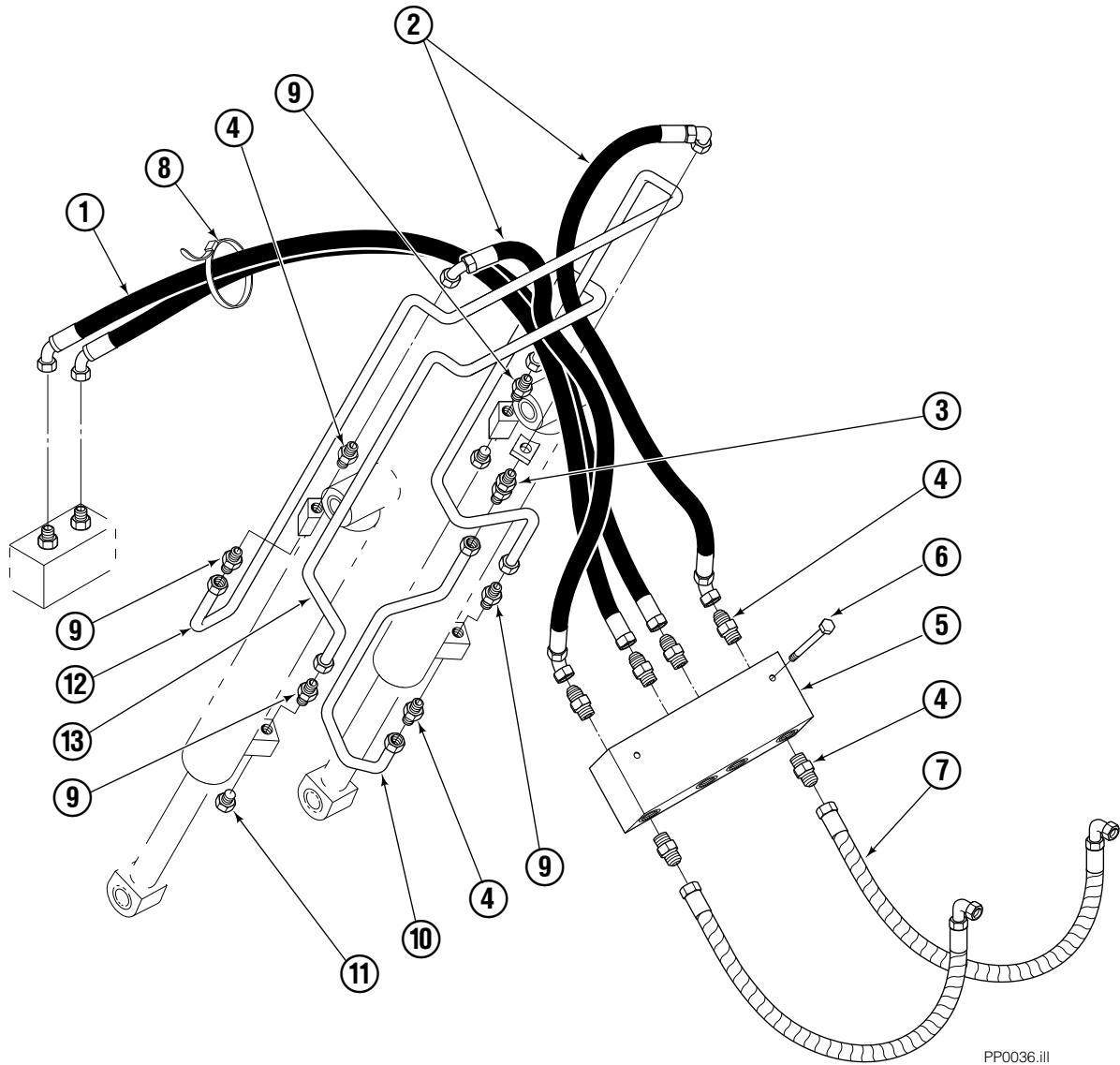
# Cylinder



REF	QTY	PART NO.	DESCRIPTION
		355504	Cylinder Assembly
1	1	---	Spacer
2	1	562552	Seal ■
3	1	7348	Snap Ring
4	1	562334	Piston
5	1	562716	Shell
6	1	558626	Rod
7	1	559705	Seal ■
8	1	2785	O-Ring ■
9	1	615128	Back-Up Ring ■
10	1	559696	Retainer
11	1	636853	Wiper ■
12	4	559697	Bearing
13	1	559698	Spacer
14	1	678019	Nut
15	1	671047	Seal Loader Kit ■
16	2	7401	Grease fitting

■ Included in Service Kit 562338.

# Hydraulic Group



PP0036.ill

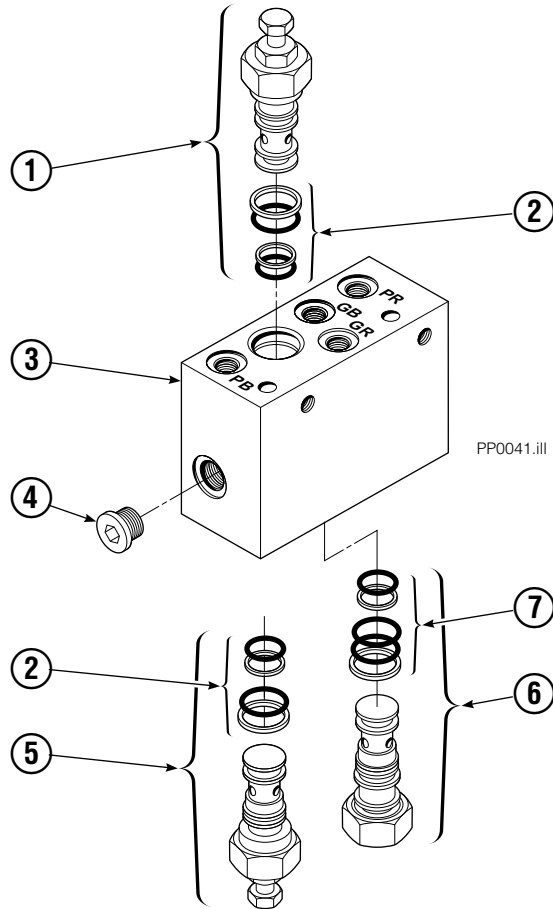
## 35E/45E

REF	QTY	PART NO.	DESCRIPTION
		685828	Hydraulic Group ITA II
1	1	685831	Hose
2	2	683173	Hose
3	1	2375	Fitting, 6-6
4	8	604511	Fitting, 6-6
5	1	682812	■ Valve
6	2	765329	Capscrew, M8x1.25x20-8.8
7	2	685978	Hose ITA II
8	2	684956	Cable tie
9	4	605235	Fitting 5-6
10	1	200647	Tube
11	2	604510	Plug, 6
12	1	200649	Tube
13	1	200648	Tube

■ See Valve page for parts breakdown.

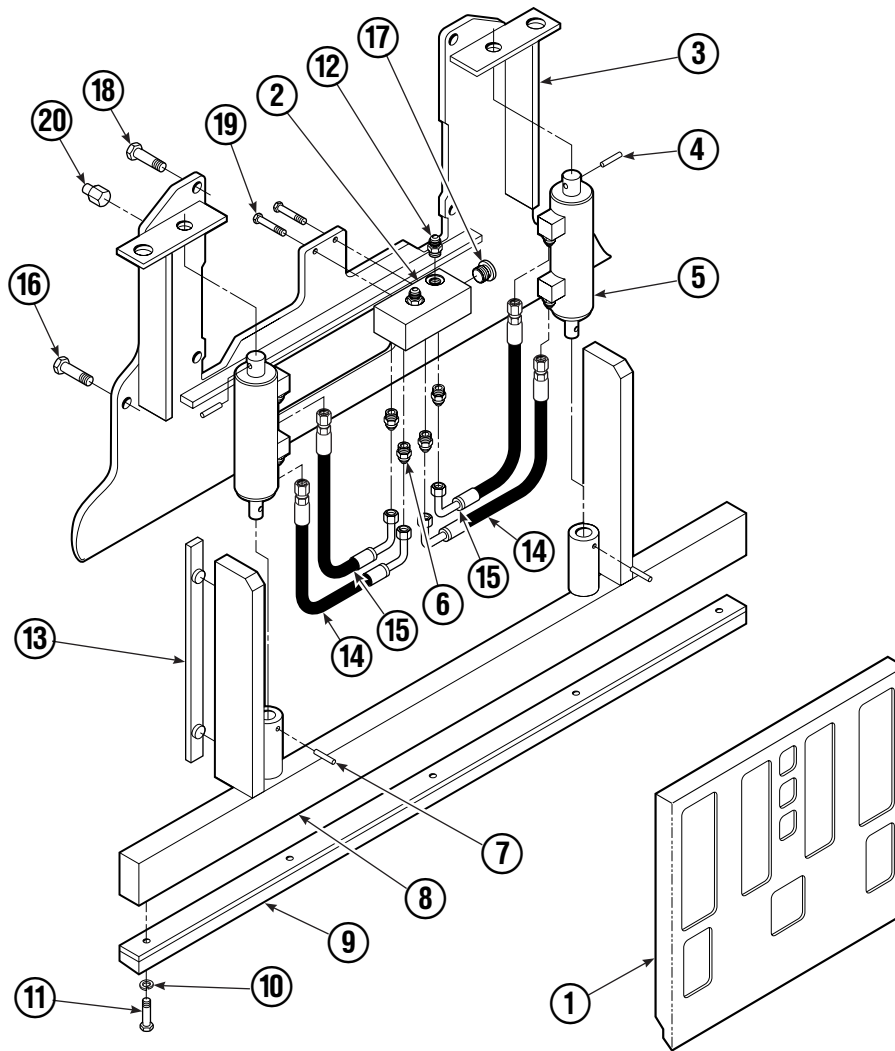
# Valve

## Load Push/Pull



35E/45E			
REF	QTY	PART NO.	DESCRIPTION
		682812	Valve Assembly
1	1	677125	Sequence Valve (Retract)
2	2	669597	Service Kit
3	1	682813	Body
4	5	663694	Fitting, 3
5	1	677124	Sequence Valve (Extend)
6	1	659058	Gripper Check Valve
7	1	667516	Service Kit

# Faceplate Group



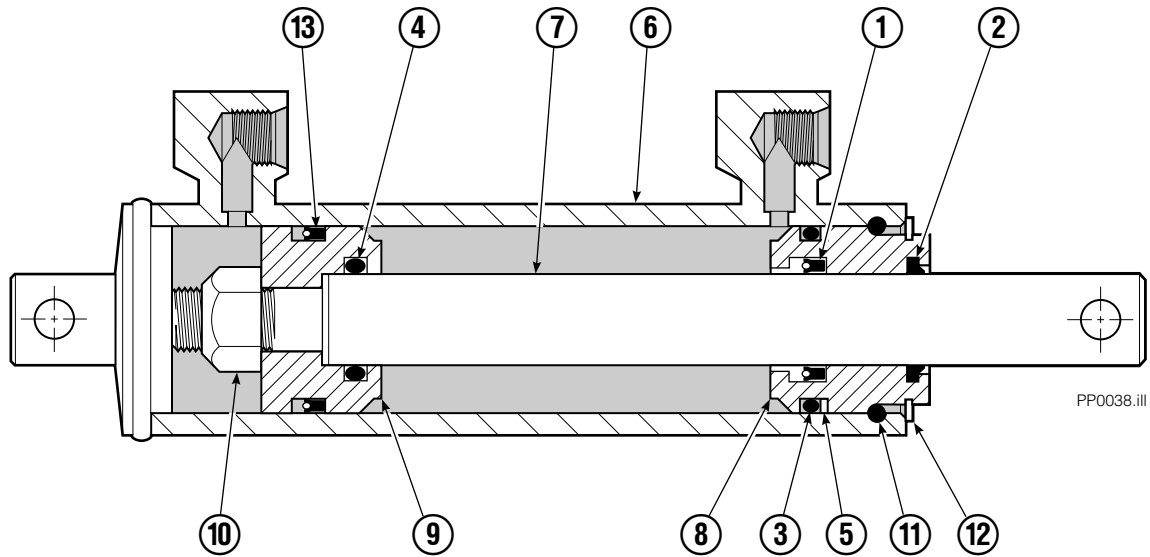
PP0226.iii

## 35E/45E

REF	QTY	PART NO.	DESCRIPTION	REF	QTY	PART NO.	DESCRIPTION
		205966	Faceplate Group 40" x 40" ■	10	5	6444	Lockwasher
		205961	Gripper Jaw Assembly ●	11	5	768794	Capscrew, M8x1,25x20-8.8
1	1	204634	Faceplate 40" x 40" ■	12	2	604511	Fitting, 6-6
2	1	205959	Junction Block	13	2	686573	Bearing
3	1	206396	Gripper Jaw	14	2	205957	Hose
4	2	673385	Drive Pin	15	2	205958	Hose
5	2	682844	Gripper Cylinder ▼	16	2	768710	Capscrew
6	8	617915	Fitting, 4-4	17	2	609234	Plug, 4
7	2	200877	Drive Pin	18	4	779010	Capscrew
8	1	206403	Gripper Bar	19	2	763166	Capscrew, M8x1,25x25-8.8
9	1	672712	Gripper Pad	20	4	682850	Stop

- Width x height.
- Includes items 2 through 20.
- ▼ See Gripper Cylinder page for parts breakdown.

# Gripper Cylinder



PP0038.iii

35E/45E			
REF	QTY	PART NO.	DESCRIPTION
		682844	Gripper Cylinder
▼ 1	1	646540	Seal
▼ 2	1	636850	Wiper
▼ 3	1	2718	O-Ring
▼ 4	1	2710	O-Ring
▼ 5	1	615122	Back-Up Ring
6	1	685662	Shell
7	1	685663	Rod
8	1	685664	Retainer
9	1	685665	Piston
10	1	563462	Nut
11	1	563916	Ring
12	1	684284	Snap Ring
▼ 13	1	663728	Piston Seal

▼ Included in Service Kit 684827.

**Do you have questions you need answered right now?** Call your nearest Cascade Parts Department.

**Cascade Corporation**

2201 NE 201st  
Troutdale, OR 97060  
Tel: 1-800-CAS-CADE  
503-669-6300  
FAX: 503-669-6338

**Cascade Canada Inc.**

5570 Timberlea Blvd.  
Mississauga, Ontario  
Canada L4W-4M6  
Tel: 905-629-7777  
FAX: 905-629-7785

**Cascade GmbH**

D-41199 Monchengladbach  
Klosterhofweg 52  
Germany  
Tel: 21-66-602091  
FAX: 21-66-680947

**Cascade N.V.**

Kirkkokatu 1  
48100 Kotka  
Finland  
Tel: 52-184393  
FAX: 52-184833

**Cascade N.V.  
European Headquarters**

P.O. Box 3009  
1300 El Almere  
Damsluisweg 56  
1332 ED Almere  
The Netherlands  
Tel: 31-36-5492911  
FAX: 31-36-5492964

**Cascade N.V.  
Benelux Sales and Service**

P.O. Box 3009  
1300 El Almere  
Damsluisweg 56  
1332 ED Almere  
The Netherlands  
Tel: 31-36-5492950  
FAX: 31-36-5492974

**Cascade (UK) Ltd.**

15, Orgreave Crescent  
Dore House Industrial Estate  
Handsworth  
Sheffield S13 9NQ  
England  
Tel: 742-697524  
FAX: 742-695121

**Cascade Scandinavia  
Hydraulik A.B.**

Muskötgatan 19, E8-9  
S25466 Helsingborg  
Sweden  
Tel: 42-151135  
FAX: 42-152997

**Cascade France S.A.R.L.**

11, Rue Jean Charcot  
Zone Industrielle Sud or  
B.P. 22  
91421 Morangis Cedex  
France  
Tel: 1-64547500  
FAX: 1-64547501

**Cascade Hispania S.A.**

Avenida De La Fabregada, 7  
Hospitalet De Llobregat  
Barcelona  
Spain  
Tel: 3-335-5158  
FAX: 3-335-4756

**Cascade Japan Ltd.**

5-5-41,  
Torikai Kami  
Settsu, Osaka  
Japan, 566  
Tel: 81-726-53-3490  
FAX: 81-726-53-3497

**Cascade Korea**

Room 508, Pum Yang Bldg.  
750-14, Bang Bac-Dong  
Se-Cho Ku, Seoul  
Korea  
Tel: 2599-7131 ext. 512  
FAX: 2533-8089

**HYCO-Cascade Pty. Ltd.**

87 Antimony Street  
Carole Park,  
Brisbane 4300  
Australia  
Tel: 7-271-1966  
FAX: 7-271-3830

**HYCO-Cascade (NZ) Ltd.**

23 Haseler Crescent  
P.O. Box 38-440  
Howick, Auckland  
New Zealand  
Tel: 9-273-9136  
FAX: 9-273-9137

**Cascade (Africa) Pty. Ltd.**

P.O. Box 625, Isando 1600  
60A Steel Road  
Sparton, Kempton Park  
South Africa  
Tel: 975-9240  
FAX: 394-1147

**Cascade-Xiamen**

Wanshan No. 1 Workshop  
Huli Road  
Xiamen 361006  
Fujian, PRC  
Tel: 592-562-4600  
FAX: 592-562-4671

**Sunstream Industries**

**PTE Ltd.**

No. 3 Tuas Link 1  
Singapore 2263  
Tel: 863-3488  
FAX: 863-1368

