



Parts Manual

Model _____ **Load Stabilizer**

Serial Number _____ **35E-LSS-A004 R9**

cascade®
corporation

For Technical Assistance call: 800-227-2233, Fax: 888-329-8207

To Order Parts call: 888-227-2233, Fax: 888-329-0234

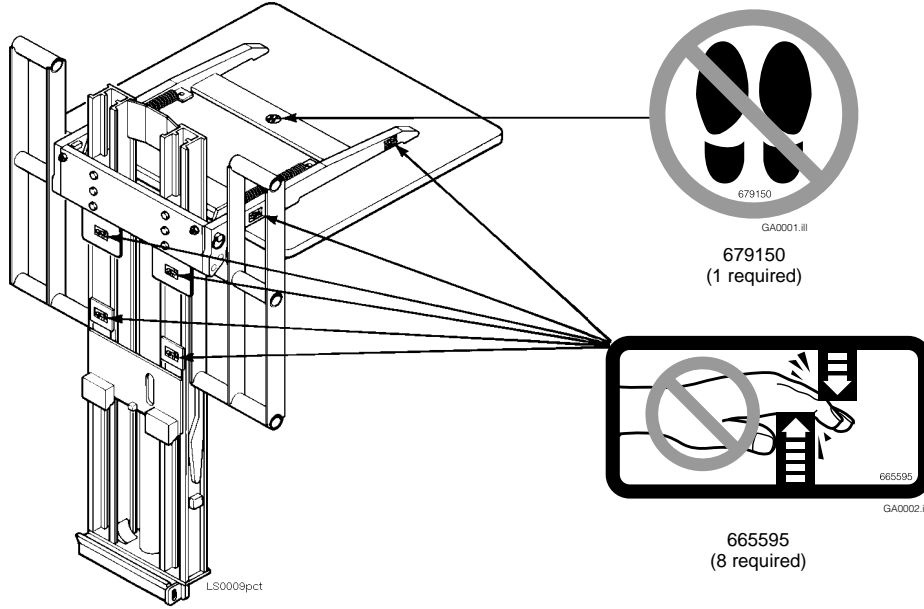
OR

Write: Cascade Corporation, P.O. Box 20187, Portland, OR 97220

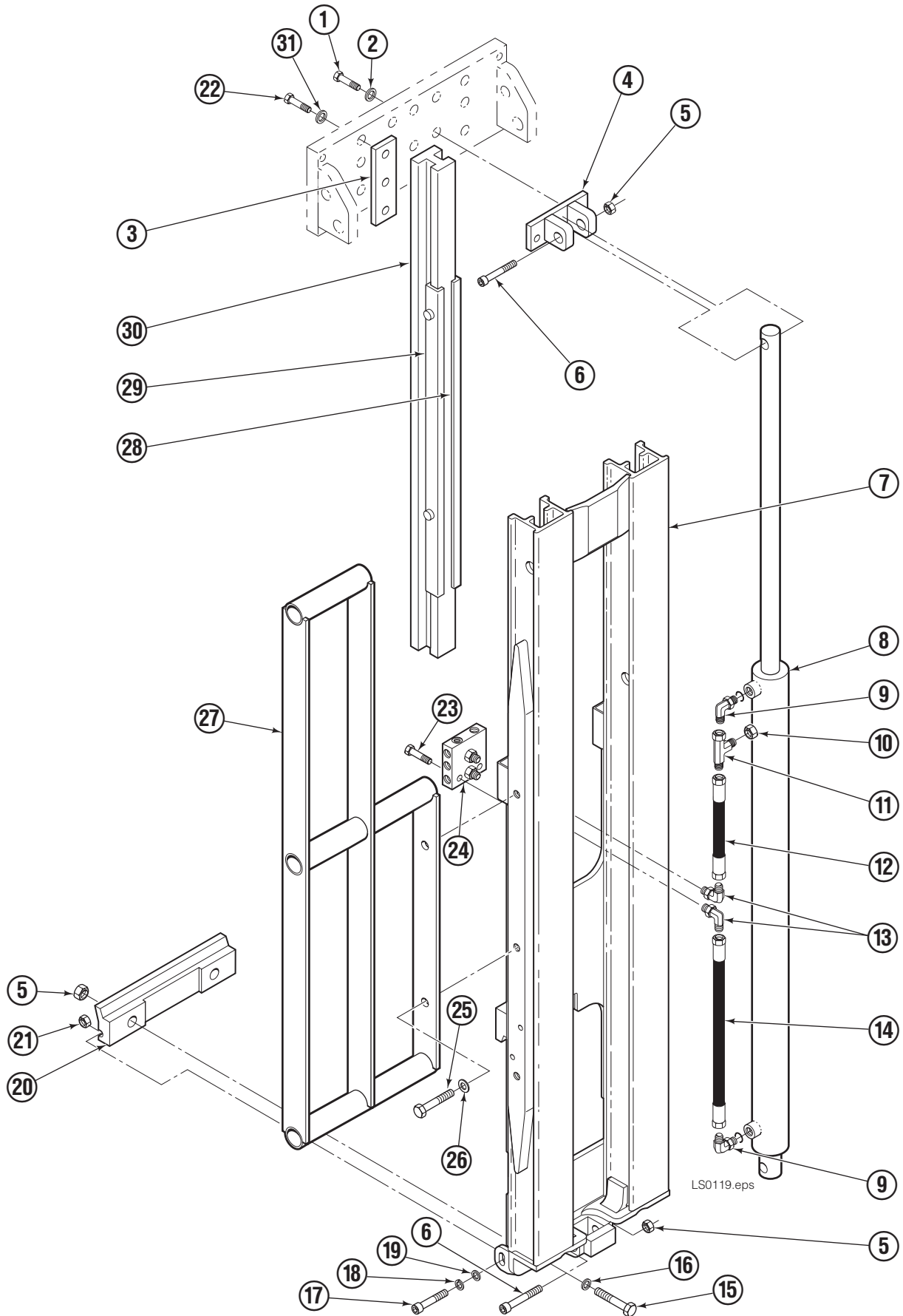
Internet: www.cascorp.com

Decals

Load Stabilizer



Frame Group

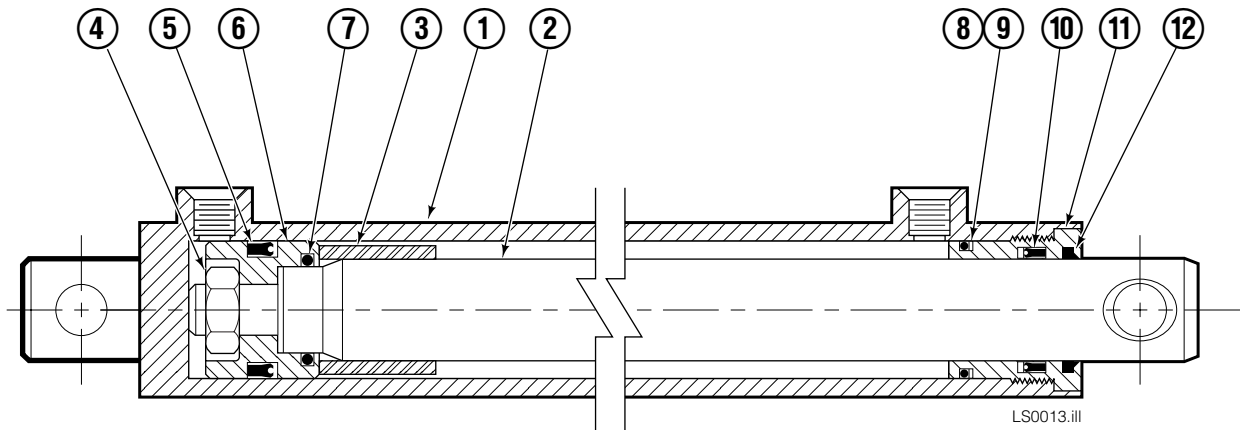


Frame Group

35E			
REF	QTY	PART NO.	DESCRIPTION
1	3	206478	Capscrew, M10 x 30
2	3	201570	Washer
3	2	201956	Shim
4	1	201976	Cylinder Anchor
5	4	678990	Nut
6	2	211250	Capscrew, M16 x 85
7	1	202129	● Frame (S-21051)
8	1	582490	▲ Cylinder ■
9	2	601676	Fitting, 6-6
10	1	2645	Fitting, 6
11	1	611329	Fitting, 6-6
12	1	675058	▲ Hose, 18.25 in.
13	2	2680	Fitting, 6-6
14	1	688694	Hose, 16.75 in.
15	2	689997	Capscrew, M16 x 45
16	2	667225	Washer
17	1	201568	Capscrew, M8 x 45
18	1	680253	Lockwasher, M8
19	1	205349	Washer, M8
20	1	202049	Lower Hook
21	1	767414	Nut, M8
22	8	784139	Capscrew, M12 x 50
23	2	768795	Capscrew, M8 x 30
24	1	202047	Valve Assembly ◆
25	4	766154	Capscrew, M16 x 40
26	4	211179	Washer
27	2	202328	Backrest (S-3712)
28	2	668910	Bearing
29	2	668911	Bearing
30	2	202055	● Arm Bar
31	8	202263	Washer, M12

- Included in Frame Group 206501.
 - ▲ Included in Hydraulic Group 202324.
 - See Cylinder page for parts breakdown.
 - ◆ See Valve page for parts breakdown.
- Reference: Common Parts 201962-R9.

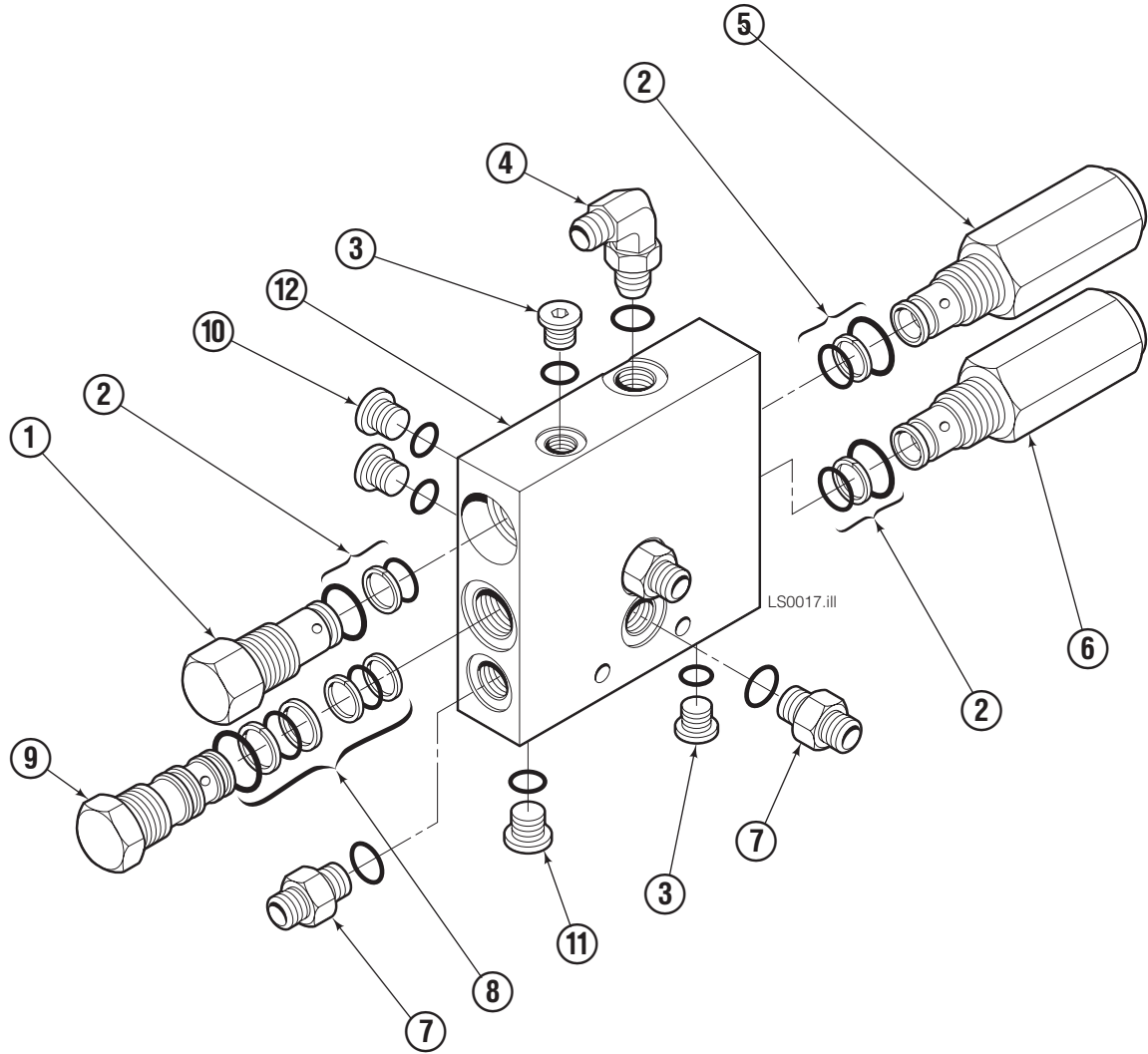
Load Stabilizer Cylinder



35E			
REF	QTY	PART NO.	DESCRIPTION
		582490	Cylinder Assembly
1	1	562298	Shell
2	1	562299	Rod
3	1	-	Spacer
4	1	667623	Nut
5	1	557598	■ Piston Seal
6	1	559702	Piston
7	1	2716	■ O-Ring
8	1	2722	■ O-Ring
9	1	615126	■ Back-Up Ring
10	1	663728	■ Rod Seal
11	1	562300	Retainer
12	1	626468	■ Wiper
		562447	Service Kit

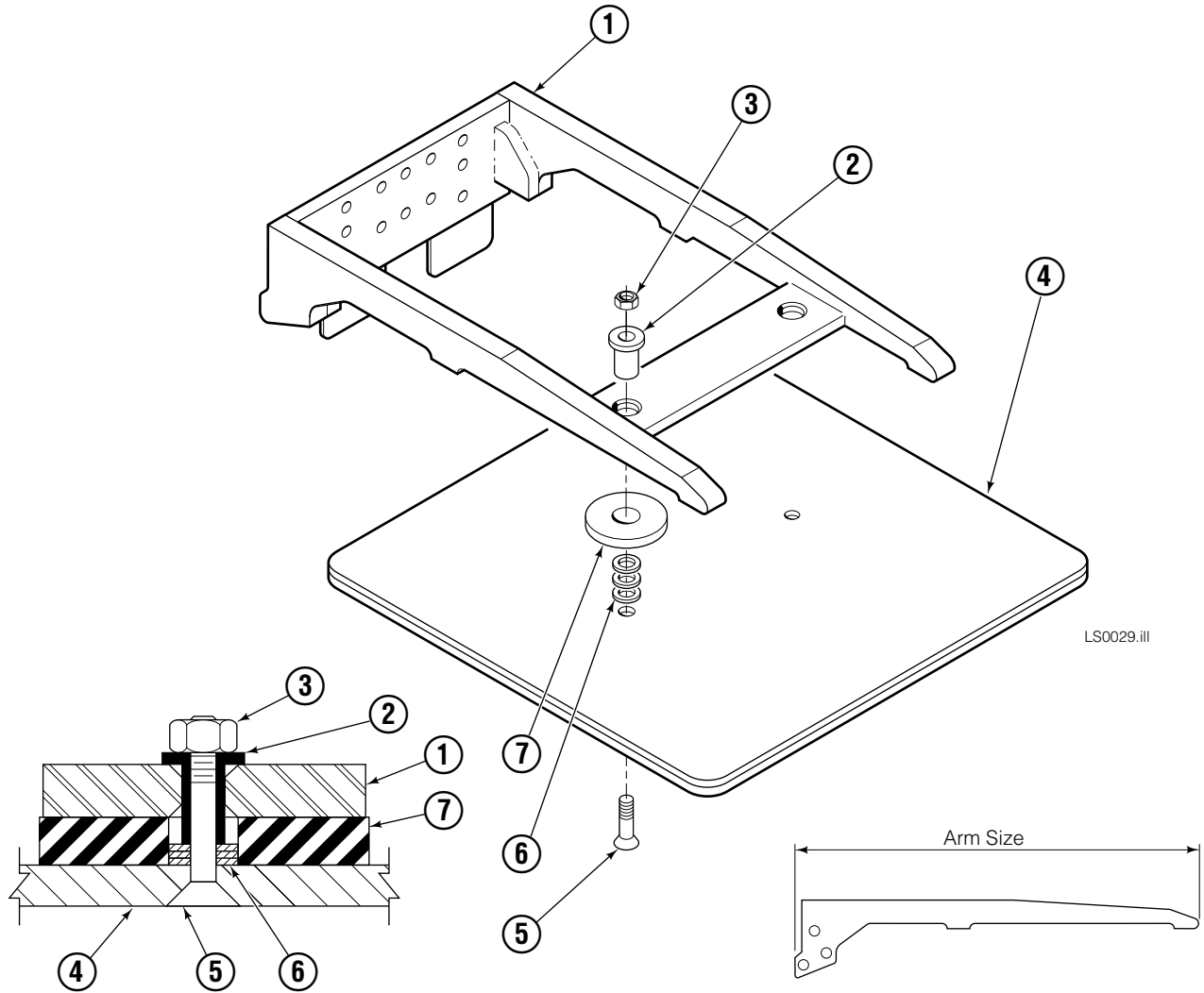
■ Included in Service Kit 562447.

Valve Assembly



35E			
REF	QTY	PART NO.	DESCRIPTION
		202047	Valve Assembly
1	1	682168	Valve Cartridge
2	3	682170	Service Kit
3	2	663694	Plug, 3
4	1	601676	Fitting, 6-6
5	1	201566	Valve Cartridge - Adjustable Relief
6	1	201565	Valve Cartridge - Fixed Relief
7	3	604511	fitting, 6-6
8	1	204424	Service Kit
9	1	201564	Valve Cartridge - PO Check
10	2	604510	Plug, 6
11	1	609234	Plug, 4
12	1	202125	Valve Body

Standard Arm Group



REF	QTY	PART NO.	DESCRIPTION
1	1	202062	Arm
2	2	205976	▲ Sleeve
3	2	205979	▲ Nylon Nut, M12
4	1	201978	Contact Pad - 36" x 36"
5	2	768709	▲ Capscrew
6	6	202251	▲ Washer, M12
7	2	202145	▲ Washer, Rubber
		205980	Service Kit

▲ Included in Service Kit 205980.

Reference: Common Parts 201962.



Parts Manual

Model F-Series Sideshifter

Serial Number 55F-SSS-260

cascade®
corporation

For Technical Assistance call: 800-227-2233, Fax: 888-329-8207

To Order Parts call: 888-227-2233, Fax: 888-329-0234

OR

Write: Cascade Corporation, P.O. Box 20187, Portland, OR 97220

Internet: www.cascorp.com

INSPECTION & MAINTENANCE



WARNING: After completing any service procedure, always test the sideshifter through five complete cycles. First test with no load, then test with a load to make sure the attachment operates correctly before returning it to the job.

Daily

Check items shown each day. Report problems to your supervisor. See Service Manual for maintenance and repair procedures.

100-Hour

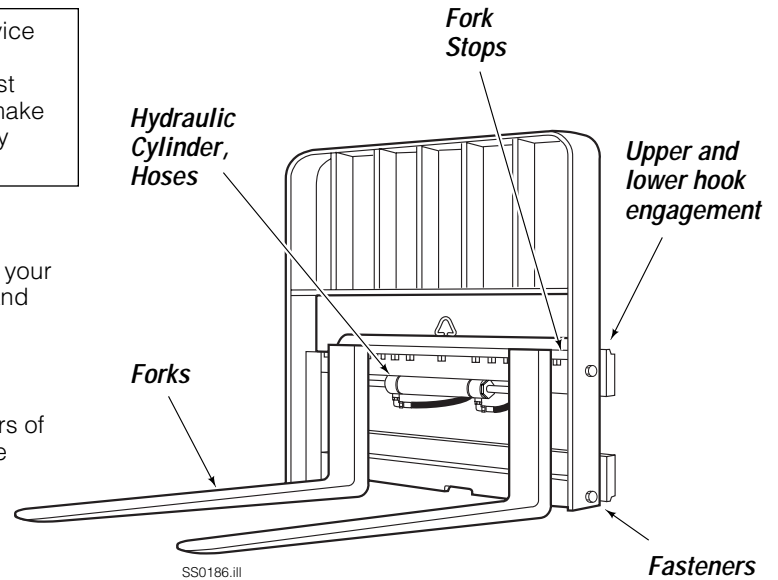
Every time the lift truck is serviced or every 100 hours of truck operation, whichever comes first, complete the following maintenance procedures:

- Check for loose or missing bolts, worn or damaged hoses, hydraulic leaks, and damaged or missing fork stops.
- Inspect clearance between sideshifter lower hooks and truck lower carriage bar (Refer to Step 4, Installation). Tighten lower hook capscrews to 120 ft.-lbs (165 Nm).

500-Hour

After each 500 hours of truck operation, in addition to the 100-hour maintenance, perform the following procedures:

- Tighten backrest capscrews (Cascade) to 145 ft.-lbs. (195 Nm).
- Apply general-purpose lithium-based chassis grease to Sideshifter upper and lower bearings.



1000-Hour

After each 1000 hours of truck operation, in addition to the 100 and 500-hour maintenance, perform the following procedures:

- Inspect upper and lower bearings for wear. If any bearing is worn to less than 3/32 in. (2.5 mm) thickness, replace the entire bearing set. See Service Manual for replacement procedure.
- Inspect forks for wear (Use Cascade fork bar wear gauge 209560 and fork wear calipers 686093).

PARTS

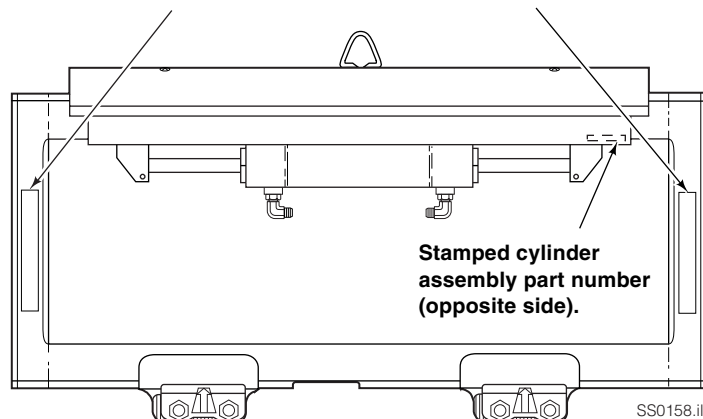
Product Identification – This Section shows replacement parts for F-Series Sideshifters. The product model number and serial number are stamped on the back surface of the LH vertical bar (driver's view), and must be provided when ordering replacement parts. The cylinder/anchor bracket assembly part number is stamped on the front surface RH end of the anchor bracket (driver's view).



WARNING: For the safety of yourself and others, DO NOT install the parts shown in this Manual unless you have thoroughly reviewed the appropriate Service Manual.

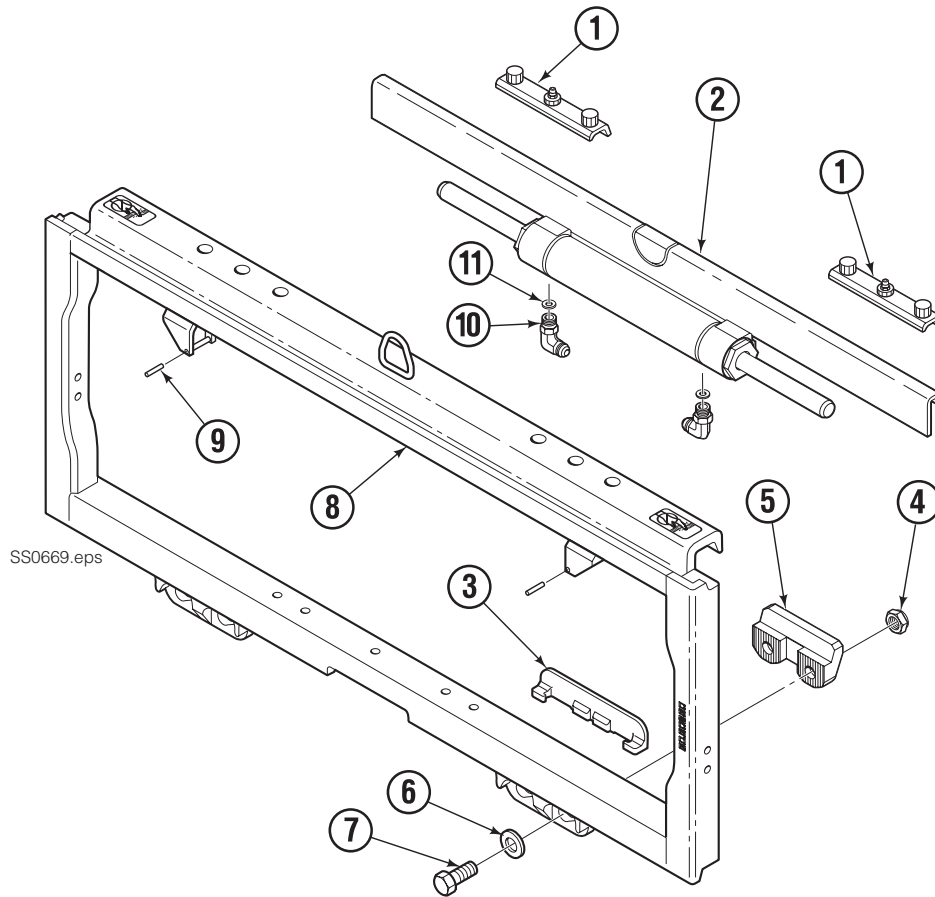
Stamped model number, serial number, specifications.

Sticker showing patent numbers, phone numbers for service.



Back (Driver's View)

Sideshift Assembly

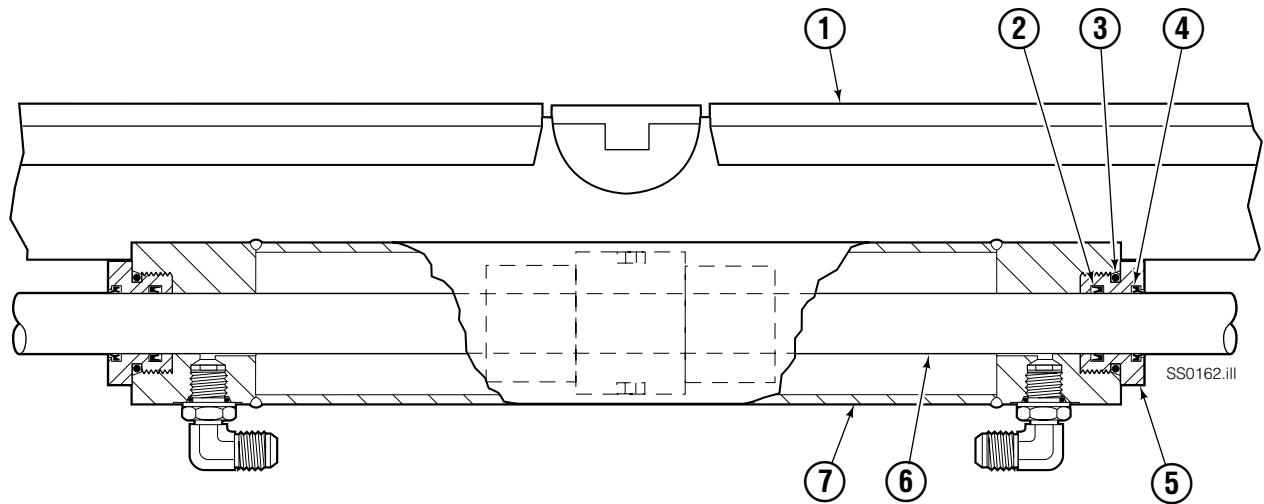


55F							
REF	QTY	PART NO.	DESCRIPTION	REF	QTY	PART NO.	DESCRIPTION
1	2	228782	Upper Bearing	7	4	639121	◆ Capscrew. 5/8 x 1.50 (or)
2	1	6025684	Cylinder ▲		4	752903	◆ Capscrew, M16 x 45
3	2	6000719	Lower Bearing	8	1	6026485	Frame ●
4	4	553857	◆ Nut, 5/8 (or)	9	2	7890	Roll Pin
	4	781534	◆ Nut, M16	10	2	601676	■ Fitting, 6-6
5	2	204186	◆ Lower Hook	11	2	221733	▼ Restrictor Washer
6	4	667225	◆ Washer				

▲ See Cylinder page for parts breakdown.
 ◆ Included in Lower Hook Group 204182.
 Reference: Common Parts Group 219614,
 S-10090 - Type 1.

● If the Frame needs replacing, your best value is to order
 the complete Sideshift Assembly.
 ■ Included in Fitting Group 204179.
 ▼ Included in Restrictor Group 221732.

Cylinder



55F			
REF	QTY	PART NO.	DESCRIPTION
1	1	6025684	Cylinder Assembly
2	2	562132	● Rod Seal
3	2	415866	● O-Ring, 70 Duro
4	2	562131	● Rod Wiper Seal
5	2	218324	Retainer/Seal Carrier
6	-	■	Rod/Piston Assembly
7	-	■	Cylinder Shell
		219868	Rod Seal Service Kit

● Included in Service Kit 219868.

■ Not serviceable, order new Cylinder Assembly.

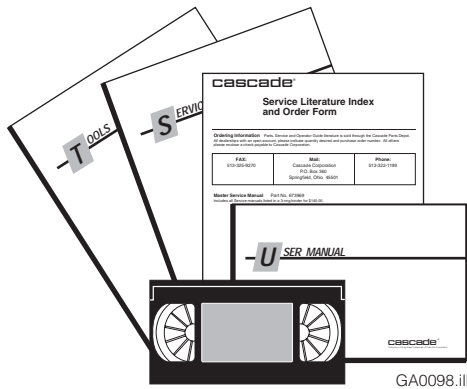
Reference: S-21006.

Recommended Spare Parts

55F		UNITS SERVICED		
PART NUMBER	DESCRIPTION	1-5	6-19	20-50
BASE UNIT AND MOUNTING				
228782	Upper Bearing	8	16	32
6000719	Lower Bearing	6	12	24
204186	Lower Hook	0	2	4
■	Capscrew	0	4	8
■	Nut	0	4	8
667225	Washer	0	4	8
CYLINDER				
6025684	Cylinder Assembly	0	0	1
219868	Cylinder Service Kit	1	2	4

■ See specific parts page for part number.

Publications



55F	
PART NO.	DESCRIPTION
219941	User Manual (Operation, Installation, Parts)
220526	Service Manual
679929	Tool Catalog
673964	Literature Index Order Form

Do you have questions you need answered right now? Call your nearest Cascade Parts Department. Visit us online at www.cascorp.com

**Cascade Corporation
U.S. Headquarters**
2201 NE 201st
Fairview, OR 97024-9718
Tel: 800-CASCADE (227-2233)
FAX: 888-329-8207

Cascade Canada Inc.
5570 Timberlea Blvd.
Mississauga, Ontario
Canada L4W-4M6
Tel: 905-629-7777
FAX: 905-629-7785

Cascade GmbH
Niederwippekühl 1
58579 Schalksmühle
Germany
Tel: 02355-50900
FAX: 02355-509020

Cascade Finland
A. Petreliuksenkatu 3
01370 Vantaa
Finland
Tel: 09-8361925
FAX: 09-8361935

**Cascade N.V.
Benelux Sales and Service**
Damsluisweg 56
PO Box 3009
1300 El Almere
The Netherlands
Tel: 036-5492950
FAX: 036-5492974

Cascade (UK) Ltd.
Unit 4, 12 O'Clock Court
Attercliffe Road
Sheffield, S4 7WW
England
Tel: 0870-850-8756
FAX: 0870-850-8757

**Sales Scotland
Macade Systems Ltd.**
18 Melford Road
Righead Ind. Estate
Bellshill ML4 3LR
Scotland
Tel: 01698-845777
FAX: 01698-845888

Cascade (Africa) Pty. Ltd.
PO Box 625, Isando 1600
60A Steel Road
Sparton, Kempton Park
South Africa
Tel: 27-11-975-9240
FAX: 27-11-394-1147

Cascade Scandinavia AB
Hammarvägen 10
PO Box 124
S-56723 Vaggeryd
Sweden
Tel: 039-336950
FAX: 039-336959

**Cascade France
S.A.R.L. MHP**
1D Rue De Charaintru BP 18,
91360 Epinay-Sur-Orge
France
Tel: 01-6454-7500
FAX: 01-6454-7501

Cascade Hispania S.A.
Carrer 5, Sector C
Zona Franca Duanera
Poligono de la Zona Franca
08040 Barcelona, Spain
Tel: 93-264-07-30
FAX: 93-264-07-31

Cascade Italia S.R.L.
Via Dell'Artigianato 1
37050 Vago di Lavagno (VR)
Italy
Tel: 39-045-8989111
FAX: 39-045-8989160

Movimenta Lda.
Parque Industrial
Vale do Alecrim, Lote 108
2950-403 Palmela
Portugal
Tel: 351-212387340
FAX: 351-212387349

**Sales Switzerland
Fahrzeugbedarf**
8810, Horgen
Switzerland
Tel: 01-7279797
FAX: 01-7279798

Sales Poland
Targowa 35/61
03-728 Warszawa
Tel: 022-619 00 49
FAX: 022-619 00 49
Mobile Tel: 0501-27 29 55

Sales Russia
EMCG Material Handling
Equipment
Moscow
Tel: 095-795-2400
FAX: 095-795-2475
Email: emcg@emcg.ru

Cascade Japan Ltd.
5-5-41,
Torikai Kami
Settsu, Osaka
Japan, 566
Tel: 81-726-53-3490
FAX: 81-726-53-3497

Cascade Korea
121B 9L Namdong Ind.
Complex, 691-8 Gojan-Dong
Namdong-Ku
Inchon, 405-310 Korea
Tel: 82-32-821-2051
FAX: 82-32-821-2055

Cascade Australia
1445 Ipswich Road
Rocklea, QLD 4107
Australia
Tel: 1-800-227-223
FAX: 617-3373-7333

Cascade New Zealand
15 Ra Ora Drive
East Tamaki, Auckland
New Zealand
Tel: 64-9-273-9136
FAX: 64-9-273-9137

Cascade-Xiamen
No. 668 Yangguang Rd.
Xinyang Industrial Zone
Haicang, Xiamen City
Fujian Province
P.R. China 361026
Tel: 86-592-651-2500
FAX: 86-592-651-2571

**Sunstream Industries
Pte Ltd.**
No. 3 Tuas Link 1
2263
Singapore
Tel: 65-6863-3488
FAX: 65-6863-1368

**Cascade do Brasil
Distribuidora de Garras
e Garfos LTDA**
Av. General Valdomiro
de Lima 43
Jabaquara - Sao Paulo - S.P.
Brasil CEP 04344-070
Tel: 55-11-5016-2484
Fax: 55-11-5013-2809

