



Parts Manual

Model _____ Fork Positioner

Serial Number _____ 55D-FPB-03AR0

cascade[®]
corporation

For Technical Assistance call: 800-227-2233, Fax: 888-329-8207

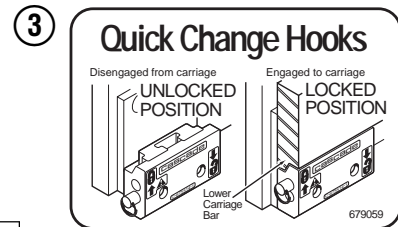
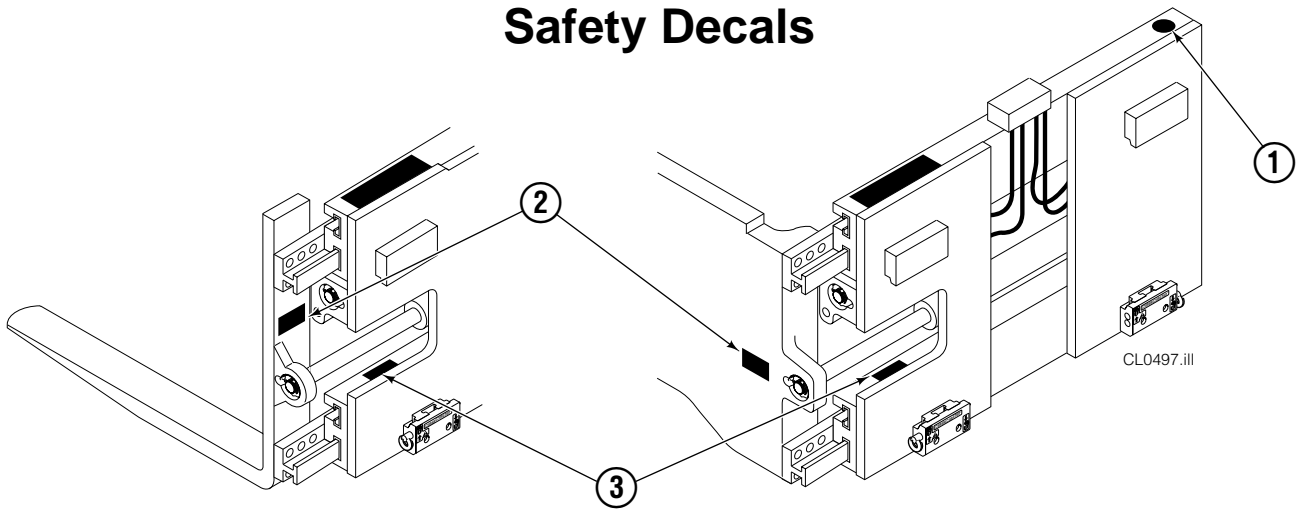
To Order Parts call: 888-227-2233, Fax: 888-329-0234

OR

Write: Cascade Corporation, P.O. Box 20187, Portland, OR 97220

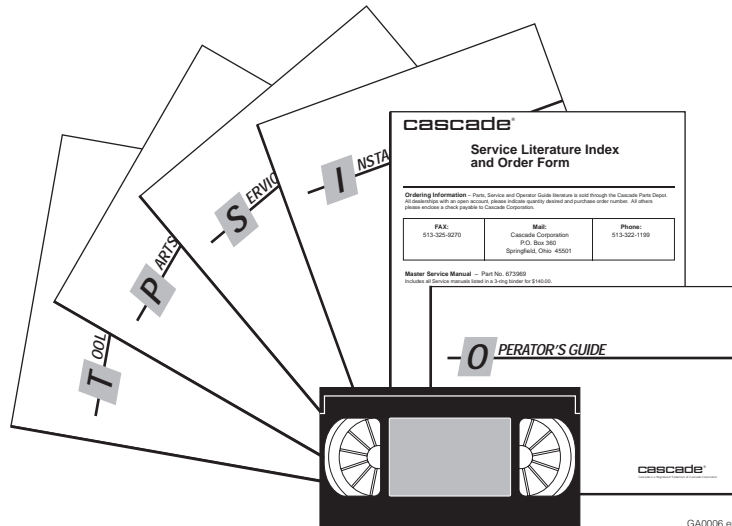
Internet: www.cascorp.com

Safety Decals



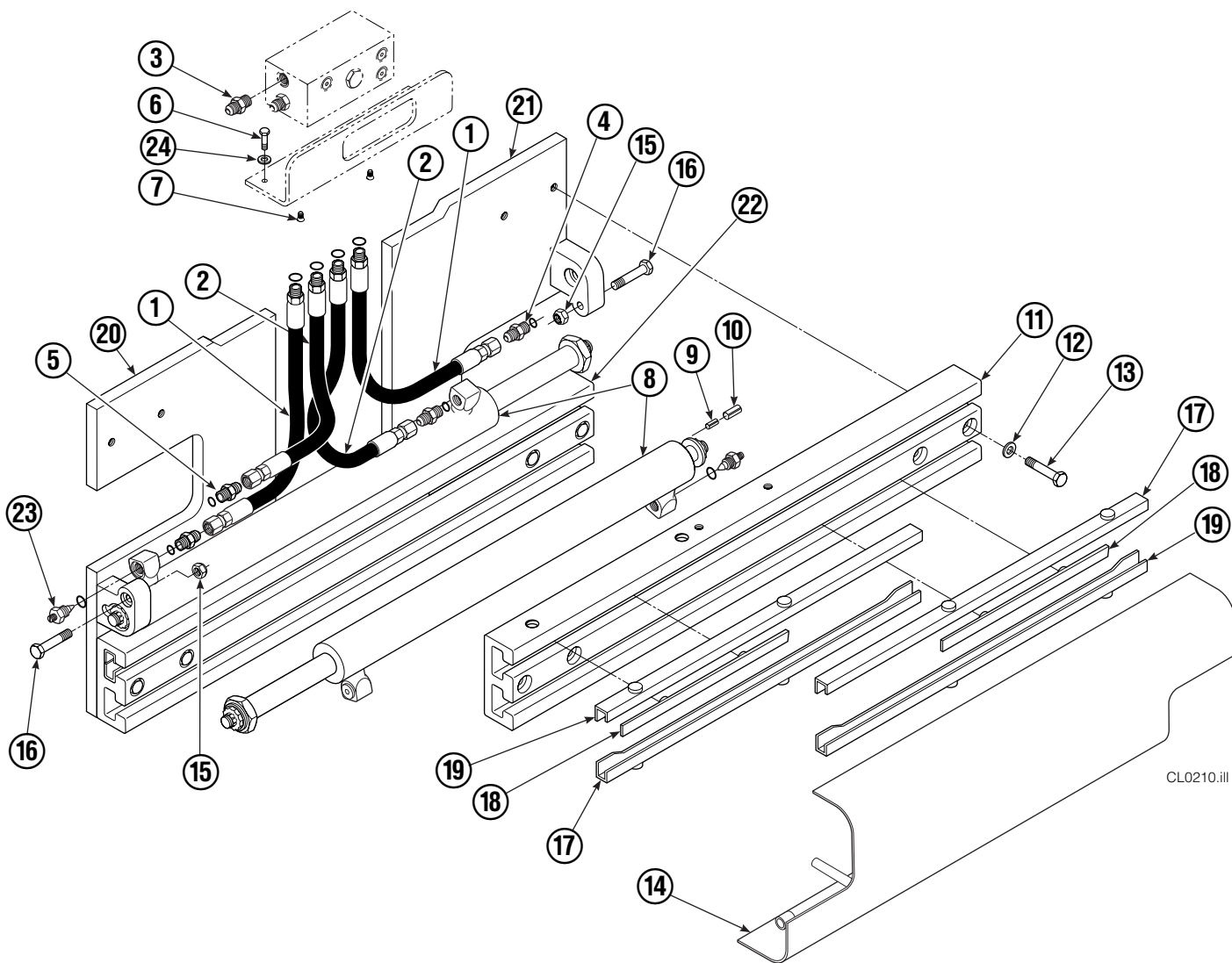
REF	QTY	PART NO.	DESCRIPTION
1	1	679150	No Step Decal
2	2	665595	No Hand Hold Decal
3	1	679059	Quick Change Hook Decal

Publications



PART NO.	DESCRIPTION
669224	Service Manual
672944	Operators Guide
668987	Installation Instructions
680664	Servicing Cascade Cylinders-VHS
679929	Tool Catalog
673964	Literature Index Order Form

Base Unit Group



CL0210.ill

50D							
REF	QTY	PART NO.	DESCRIPTION	REF	QTY	PART NO.	DESCRIPTION
		681232	Base Unit Group	13	8	667644	Capscrew
1	2	210436	Hose, 24.75 in.	14	1	667664	Bumper
2	2	210441	Hose, 21.25 in.	15	2	665707	Nut, 1/2 in. ID
3	1	601377	Fitting, 8-8	16	2	640699	Capscrew, 1/2 NC x 2.75
4	2	686369	Fitting	17	4	668904	Bearing
5	2	611288	Fitting, 6-8	18	4	667663	Bearing
6	2	671222	Capscrew, 3/8 NC x .75	19	4	668905	Bearing
7	2	4750	Capscrew, 3/8 NC x .75	20	1	680626	Mounting Plate - RH
8	2	667666	Cylinder ▲	21	1	680625	Mounting Plate - LH
9	2	7862	Roll Pin - Inner	22	1	674167	Frame - Lower
10	2	7961	Roll Pin - Outer	23	2	667609	Restrictor Cartridge ●
11	1	667659	Frame - Upper	24	2	6230	Washer
12	8	667225	Washer				

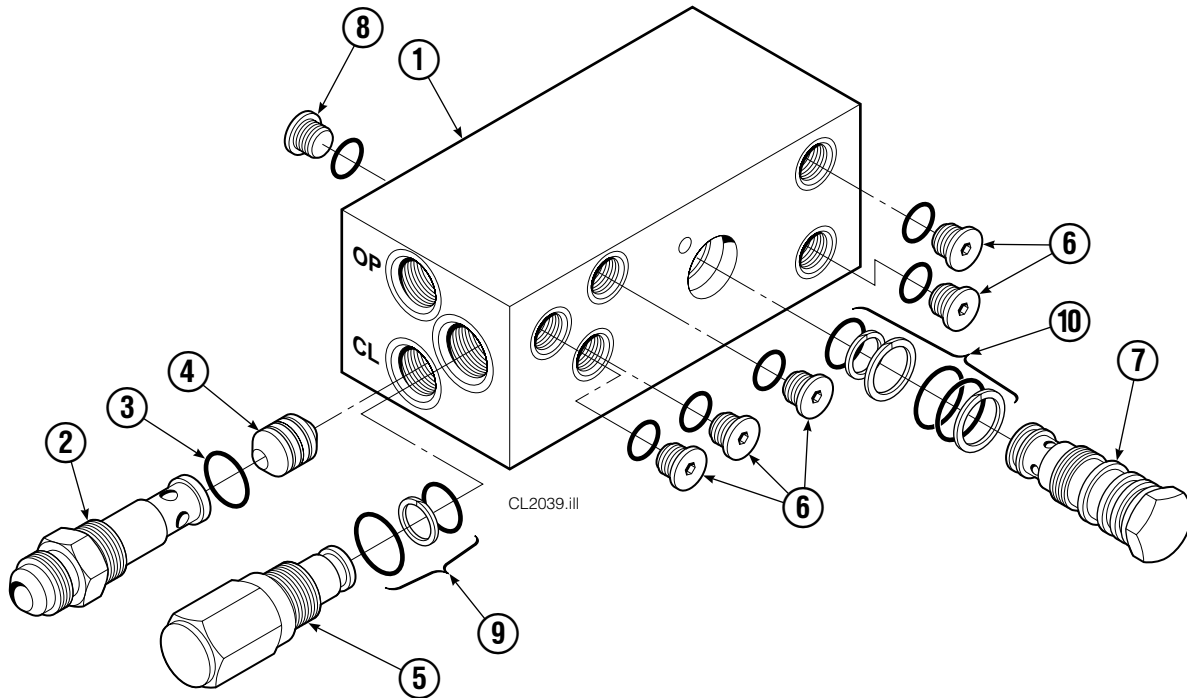
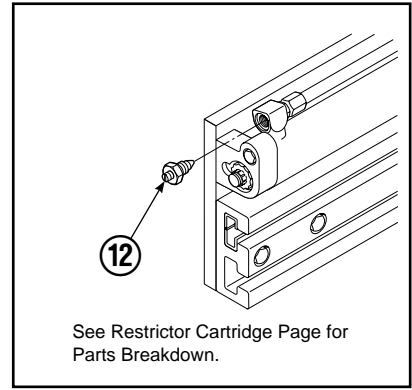
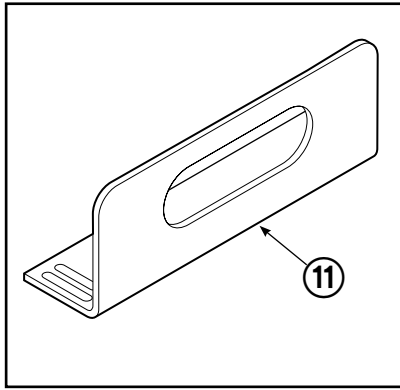
▲ See Cylinder page for parts breakdown.

● Not included in Base Unit Group.

See Restrictor Cartridge page for parts breakdown.

Reference: SK-5302, Common Parts Group 680839.

Check Valve



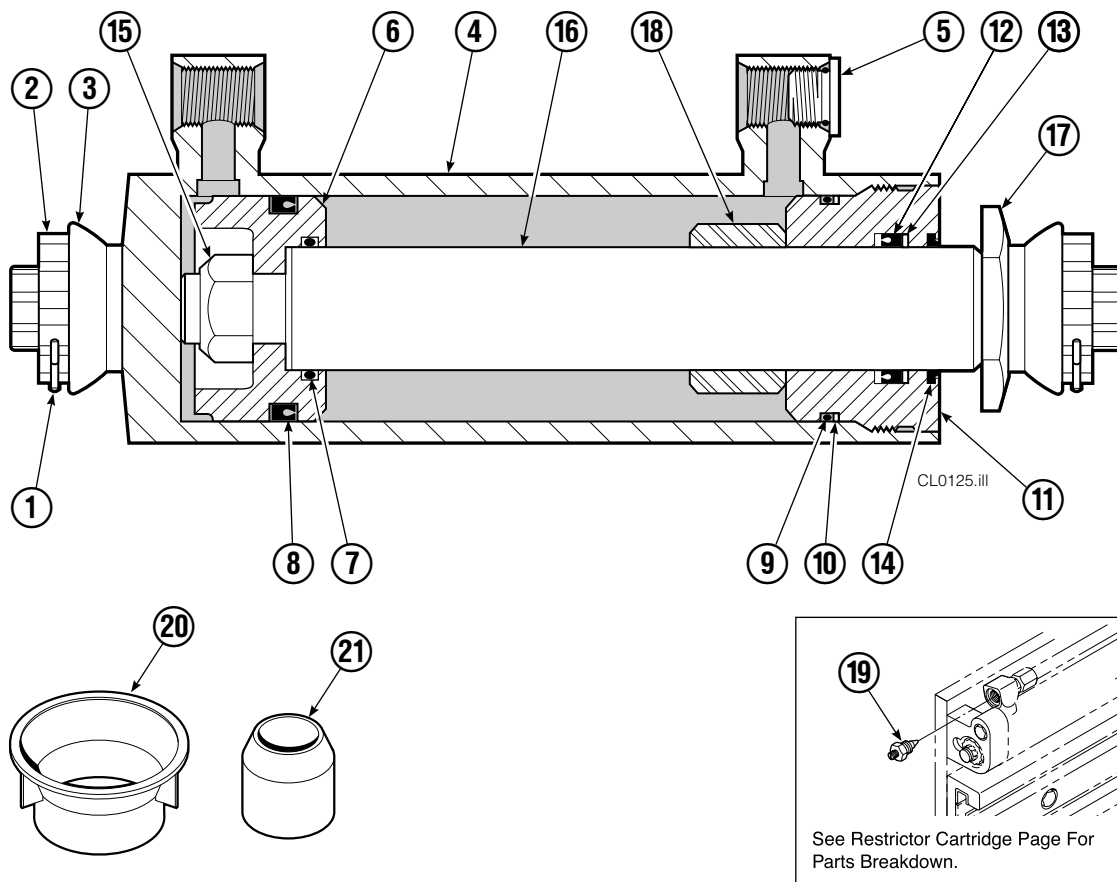
35D							
REF	QTY	PART NO.	DESCRIPTION	REF	QTY	PART NO.	DESCRIPTION
		364527	Valve Group ■	7	1	678270	Check Valve - V.P.O.
		363873	Check Valve ▲	8	1	604510	Fitting, 6
1	1	667468	Valve Body	9	1	667510	Service Kit
2	1	667470	Special Fitting	10	1	661347	Service Kit
3	1	2841	O-Ring	11	1	669999	Bracket
4	1	667471	Spool	12	2	667609	Restrictor Cartridge ●
5	1	679890	Relief Valve			668864	Valve Service Kit
6	5	609455	Fitting			667510	Seal Kit

▲ Contains items 1-10 only.

■ Includes Check Valve 363873 and items 11 & 12.

● See Restrictor Cartridge page for parts breakdown.

Cylinder



See Restrictor Cartridge Page For Parts Breakdown.

50D			
REF	QTY	PART NO.	DESCRIPTION
		667666	Cylinder Assembly
1	2	6511	■ Cotter Pin
2	2	667667	■ Nut Retainer
3	2	667668	■ Nut
4	1	553760	Shell
5	1	602580	Fitting
6	1	558402	Piston
7	1	2722	▲ O-Ring
8	1	557376	▲ Seal
9	1	2791	▲ O-Ring
10	1	615134	▲ Back-Up Ring
11	1	667675	Retainer
12	1	662451	▲ Seal
13	1	638246	▲ Nylon Ring
14	1	564930	▲ Wiper
15	1	561012	Nut
16	1	667670	Rod
17	1	667676	Washer
18	1	—	Spacer
19	1	667609	Restrictor Cartridge ●
20	1	671049	▲ Seal Loader, Piston
21	1	671052	▲ Seal Loader, Retainer
		667723	Service Kit

▲ Included in Service Kit 667723.

■ Included in Nut Service Kit 668925.

● Not included in Cylinder Assembly.

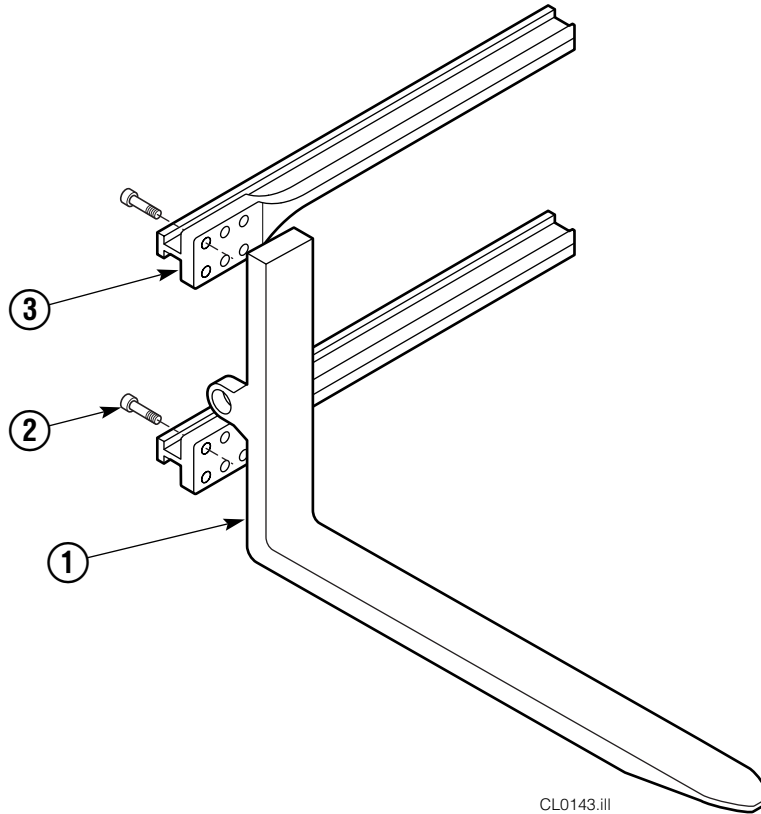
Reference: S-7666.

Restrictor Cartridge



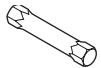
REF	QTY	PART NO.	DESCRIPTION
		667609	Restrictor Cartridge
1	1	2701	O-Ring
2	1	667611	Plunger
3	1	2841	O-Ring
4	1	667610	Plug - Special
5	1	5716	Jam Nut

Bolt-On Pallet Forks



ARM CAPSCREW EXTENSION TOOL

Required for proper torquing of capscrews



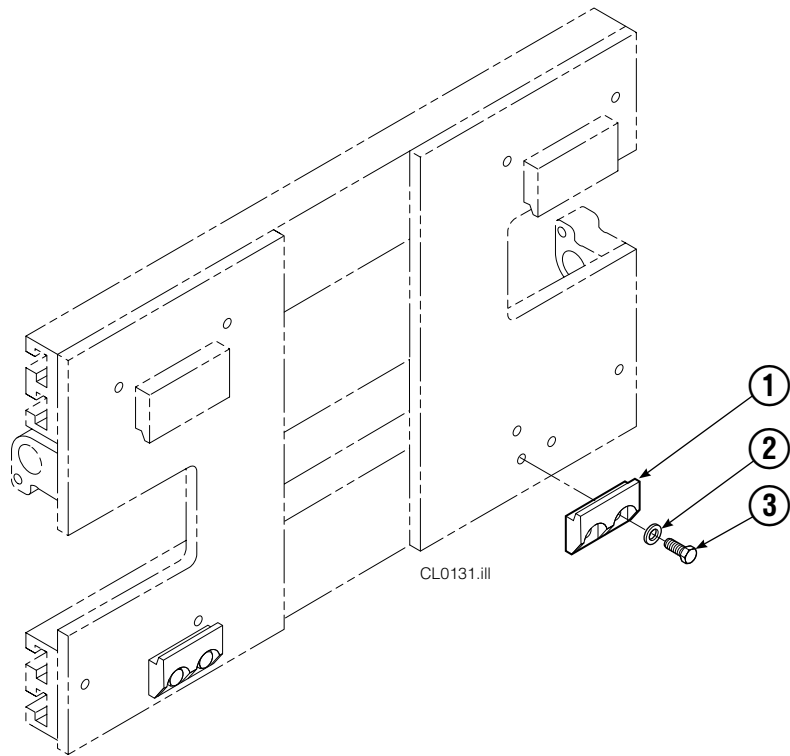
70D

676218

55D			
REF	QTY	PART NO.	DESCRIPTION
		323317	Fork Group ▲
1	1	323282	Pallet Fork – LH
	1	323286	Pallet Fork – RH
2	24	607105	Capscrew
3	4	667700	Arm Bar

▲ Includes items 1 & 2 only.

Bolt-On Mounting Group



Class II			
REF	QTY	PART NO.	DESCRIPTION
		678934	Lower Hook Group
1	2	675968	Lower Hook
2	4	667225	Washer, 5/8 in. ID
3	4	667369	Capscrew, 5/8 NC x 1.25 GR 5

Reference: S-3197.

Mounting Plates with Bolt-On Upper Hooks



REF	QTY	PART NO.	DESCRIPTION
1	1	680625	Mounting Plate Assembly-LH ●
2	1	680626	Mounting Plate Assembly-RH ■
3	1	6002330	Upper Hook-LH
4	1	210491	Upper Hook-RH
5	4	768577	Capscrew, M20 x 35

● Includes items 3 and 5.

■ Includes items 4 and 5.

Do you have questions you need answered right now? Call your nearest Cascade Parts Department. Visit us online at www.cascorp.com

Cascade Corporation

2501 Sheridan Avenue
Springfield, OH 45505
Tel: 888-CASCADE (227-2233)
FAX: 888-329-0234

Cascade Canada Inc.

5570 Timberlea Blvd.
Mississauga, Ontario
Canada L4W-4M6
Tel: 905-629-7777
FAX: 905-629-7785

Cascade GmbH

D-41199 Monchengladbach
Klosterhofweg 52
Germany
Tel: 49-216-668230
FAX: 49-216-6682323

Cascade Finland

Albert Petreliuksenkatu 3
01370 Vantaa
Finland
Tel: 358-9-836-1925
FAX: 358-9-836-1935

**Cascade N.V.
European Headquarters**

P.O. Box 3009
1300 El Almere
Damsluisweg 56
1332 ED Almere
The Netherlands
Tel: 31-36-5492911
FAX: 31-36-5492964

**Cascade N.V.
Benelux Sales and Service**

P.O. Box 3009
1300 El Almere
Damsluisweg 56
1332 ED Almere
The Netherlands
Tel: 31-36-5492950
FAX: 31-36-5492974

Cascade (UK) Ltd.

15, Orgreave Crescent
Dore House Industrial Estate
Handsworth
Sheffield S13 9NQ
England
Tel: 742-697524
FAX: 742-695121

Cascade Scandinavia AB

Box 124
Hammarvägen 10
567 23 Vaggeryd
Sweden
Tel: 42-0-393-36950
FAX: 46-0-393-36959

Cascade Norway

Østerliveien 37A
1153 Oslo
Norway
Tel: 47-22-743160
FAX: 47-22-743157

Cascade France S.A.R.L.

1D Rue De Charaintru
BP 18, 91360 Epinay-Sur-Orge
Morangis Cedex, France
Tel: 33-1- 64547500
FAX: 33-1-64547501

Cascade Hispania S.A.

Carrer 5 Sector C
Zona Franca Duanera
Poligono de la Zon Franca
08040 Barcelona, Spain
Office No. 256
Tel: 93-264-07-30
FAX: 93-264-07-31

Cascade Japan Ltd.

5-5-41,
Torikai Kami
Settsu, Osaka
Japan, 566
Tel: 81-726-53-3490
FAX: 81-726-53-3497

Cascade Korea

108B, Namdong Ind Complex
658-3 Gojan-Dong
Namdong-Gu
Inchon, 405-310 Korea
Tel: 82-32-821-2051
FAX: 82-32-821-2055

Cascade Australia

1445 Ipswich Road
Rocklea, QLD 4106
Australia
Tel: 1-800227-223
FAX: (07) 3373-7333

Cascade New Zealand

15 Ra Ora Drive
East Tamaki, Auckland
New Zealand
Tel: 9-273-9136
FAX: 9-273-9137

Cascade (Africa) Pty. Ltd.

P.O. Box 625, Isando 1600
60A Steel Road
Sparton, Kempton Park
South Africa
Tel: 27-11-975-9240
FAX: 27-11-394-1147

Cascade-Xiamen

No. 668 Yangguang Rd.
Xinyang Industrial Zone
Haicang, Xiamen City
Fujian Province
P.R. China 361026
Tel: 86-592-651-2500
FAX: 86-592-651-2571

**Cascade (Singapore)
Trading Co.**

Four Seasons Park
Autumn Block - Apt. 1802
12 Cuscaden Walk
Singapore
Tel: 65-834-1935
FAX: 65-834-1936

