



Parts Manual

Model Single-Double Pallet Handler

Catalog Number 55E-FDS-1549

cascade®
corporation

For Technical Assistance call: 800-227-2233, Fax: 888-329-8207

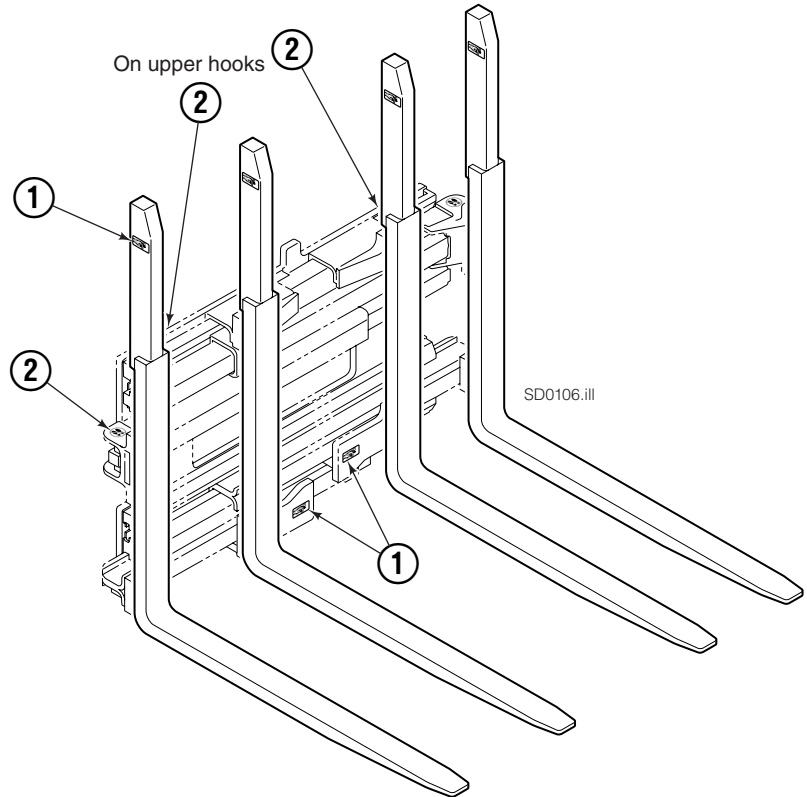
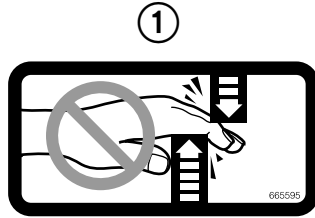
To Order Parts call: 888-227-2233, Fax: 888-329-0234

OR

Write: Cascade Corporation, P.O. Box 20187, Portland, OR 97220

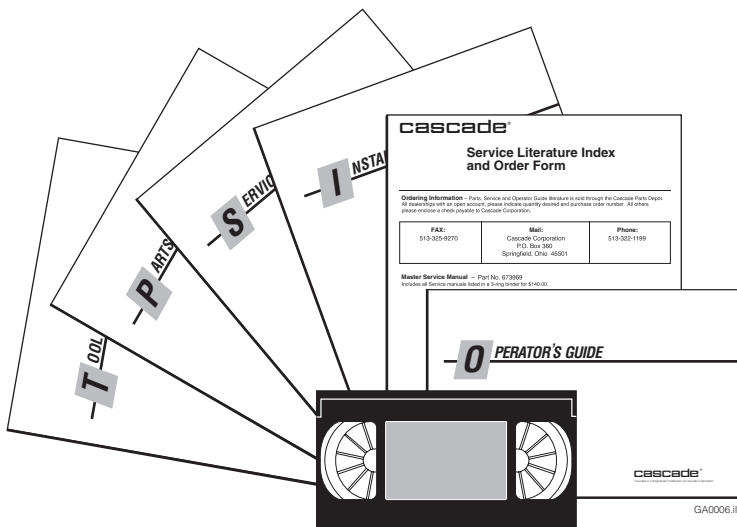
Internet: www.cascorp.com

Safety Decals



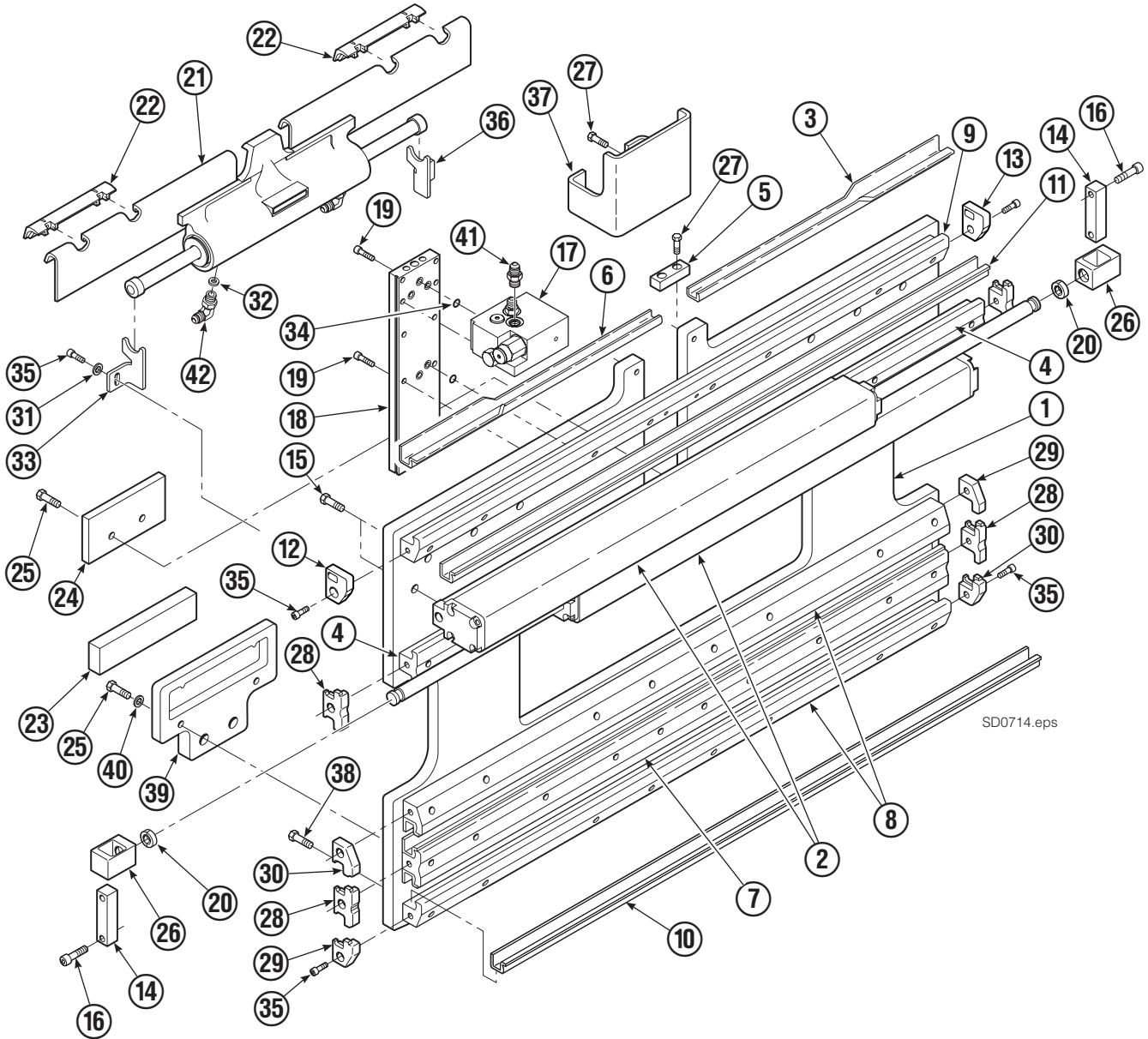
55E			
REF	QTY	PART NO.	DESCRIPTION
1	6	665595	No Hand Hold Decal
2	4	679150	No Step Decal

Publications



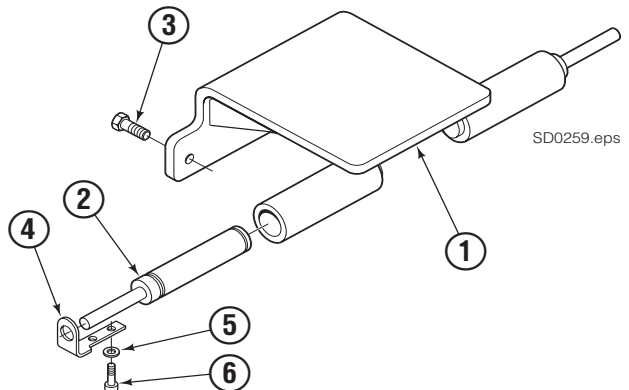
55E	
215793	Service Manual
213580	Operator's Guide
213372	Installation Instructions
679929	Tool Catalog
673964	Literature Index Order Form

Base Unit Group - ITA Class II



Inner Fork Control Group

55E			
REF	QTY	PART NO.	DESCRIPTION
		225394	Inner Fork Control Group
1	1	225396	Bracket
2	2	225395	Gas Cylinder
3	3	683821	Capscrew, M12 x 20
4	2	230791	Retainer
5	4	202346	Washer, M6
6	4	768785	Capscrew, M6 x 10



Base Unit Group - ITA Class II

55E			
REF	QTY	PART NO.	DESCRIPTION
		6110665	Base Unit Group ▼
1	1	3003738	Baseplate
2	2	214622	Frame Cylinder ◆
3	1	4786-0468	Bearing Segment - LH
4	2	6116811	T-Bar - Upper (28323)
5	1	212723	Fork Stop
6	1	4787-0468	Bearing Segment - RH
7	1	6116813	T-Bar - Lower (28324)
8	2	6116815	T-Bar - Lower (28325)
9	1	6116808	T-Bar - Upper (28322)
10	4	4730-1040	Bearing Segment
11	4	4730-1050	Bearing Segment

▼ Includes Inner Fork Control Group 225394.

◆ See Frame Cylinder page for parts breakdown.

REF	QTY	PART NO.	DESCRIPTION	REF	QTY	PART NO.	DESCRIPTION
		6110804	Common Parts Group	27	4	684649	Capscrew, M10 x 25
12	1	211380	Retainer/Stop - RH	28	4	210140	Bearing Retainer
13	1	211379	Retainer/Stop - LH	29	2	212585	Bearing Retainer
14	2	210489	■ Rod End Anchor	30	2	212586	Bearing Retainer
15	22	211689	Capscrew, M12 x 30	31	2	787398	Washer
16	4	768303	■ Capscrew, M10 x 35	32	2	564226	Restrictor Washer
17	1	216838	Valve Assembly ◆	33	1	213737	Bracket - RH
18	1	211456	Manifold	34	7	214053	O-Ring
19	10	768208	Capscrew, M8 x 25	35	12	787375	Capscrew, M8 x 20
20	4	210490	■ Retainer Half Ring	36	1	213736	Bracket - LH
21	1	205842	Sideshift Cylinder ▲	37	1	6007050	Valve Guard
22	2	204187	Upper Bearing	38	30	214487	Capscrew, M12 x 40
23	2	208350	Lower Bearing	39	2	215226	Hanger
24	2	212709	Spacer Block	40	4	787383	Lockwasher, M10
25	8	767615	Capscrew, M10 x 25	41	2	604511	● Fitting, 6-6
26	2	209741	■ Rod End	42	2	601676	● Fitting, 6-6

■ Included in Cylinder Rod Anchor Kit 213856.

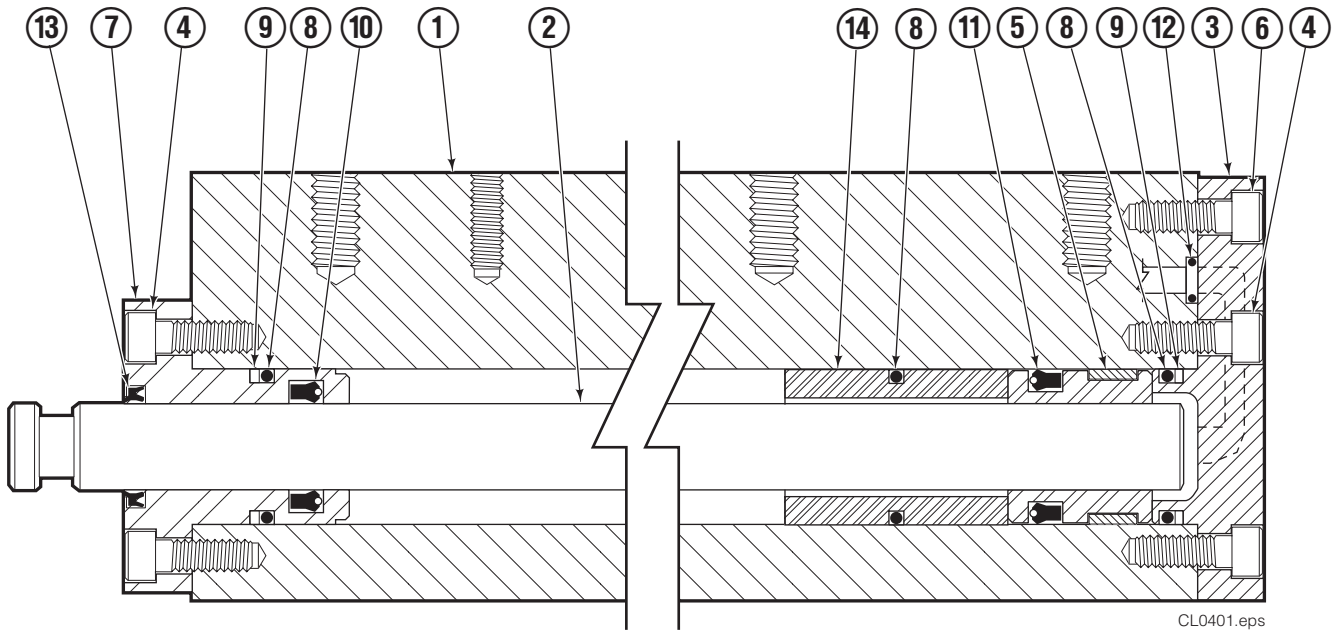
◆ See Valve Assembly page for parts breakdown.

▲ See Sideshift Cylinder page for parts breakdown.

● Included in Fitting Group 213099.

Reference: SK-12083.

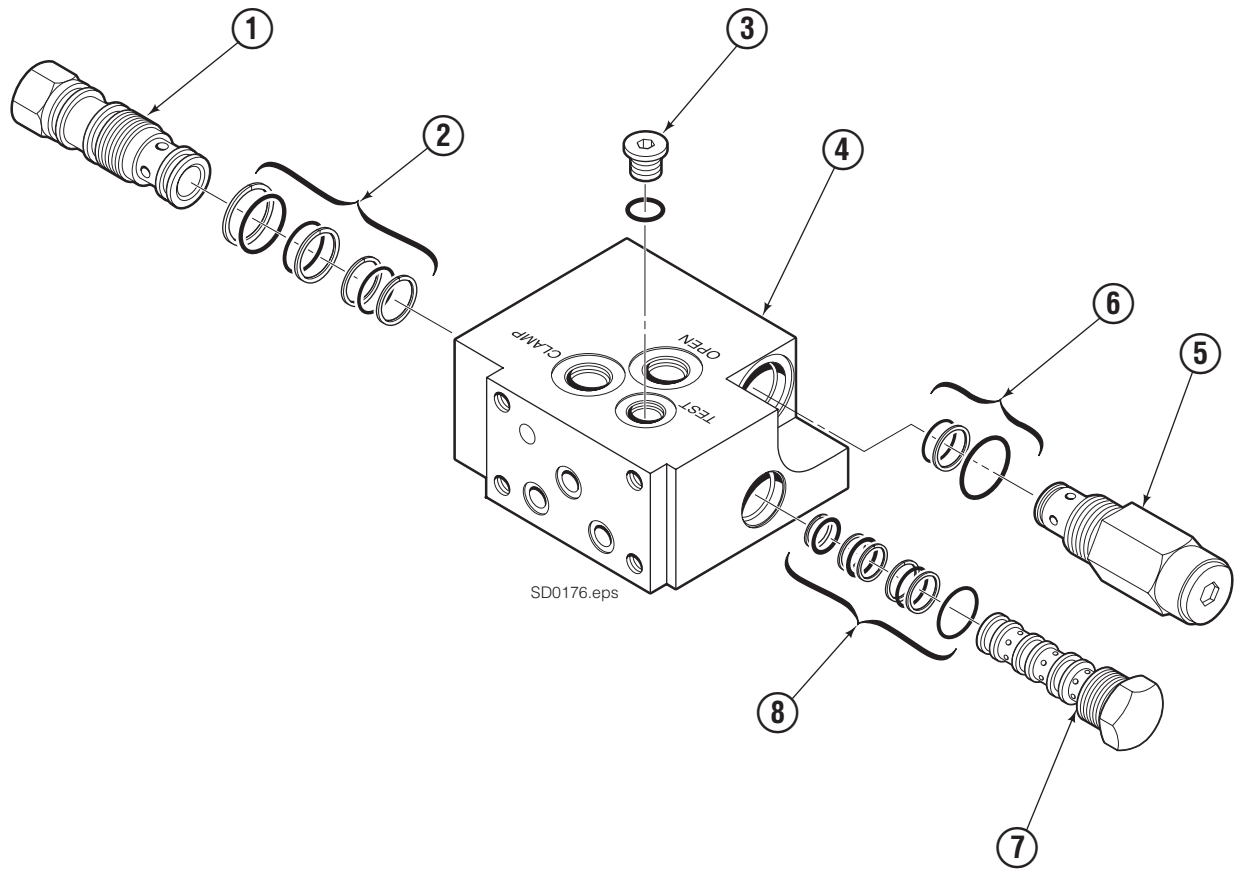
Frame Cylinder



55E			
REF	QTY	PART NO.	DESCRIPTION
		214622	Cylinder Assembly
1	1	214623	Cylinder/Shell
2	1	4157-825	Rod
3	1	213783	End Cap
4	8	768208	Capscrew, M8 x 25
5	1	209809	◆ Bearing
6	1	787375	Capscrew, M8 x 20
7	1	212452	Retainer
8	2	643379	◆ O-Ring
9	2	210050	◆ Back-Up Ring
10	1	212477	◆ Seal
11	1	209808	◆ Seal
12	1	214053	◆ O-Ring
13	1	562131	◆ Wiper
14	1	—	Spacer – Rod
		210288	Service Kit

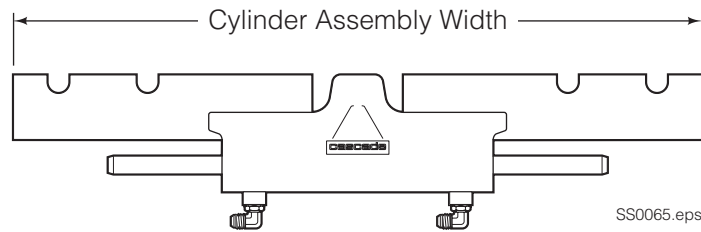
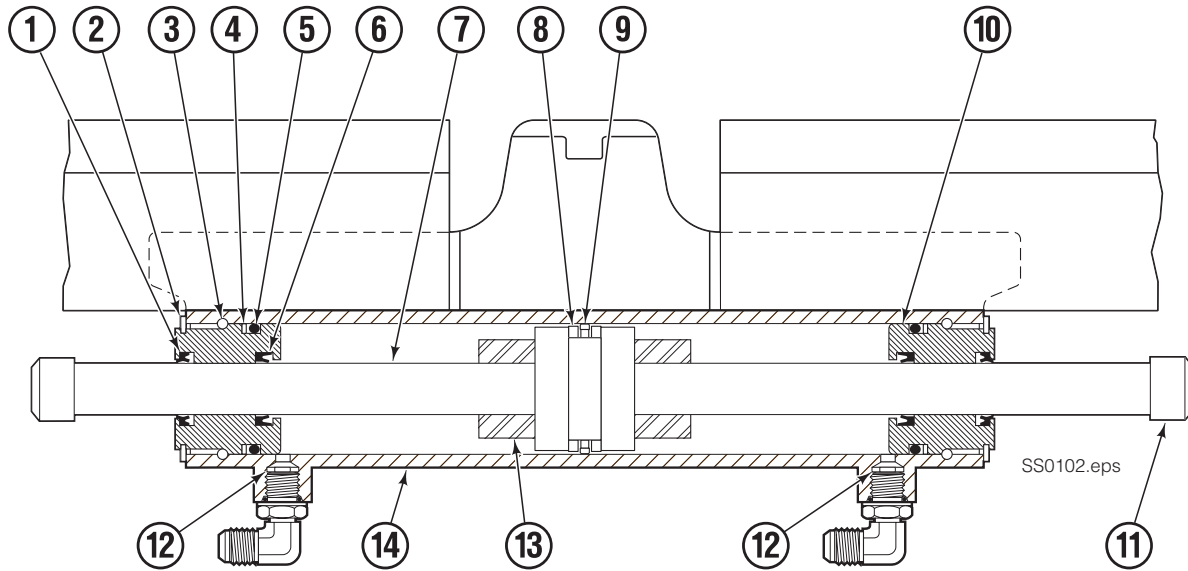
◆ Included in Service Kit 210288.
Reference: S-4643, S-4644.

Valve ITA Class III



55E			
REF	QTY	PART NO.	DESCRIPTION
		216838	Valve Assembly
1	1	6038929	Check Valve
2	1	667516	Service Kit
3	1	609234	Plug
4	1	216840	Valve Body
5	1	6109571	Crossover Relief Valve
6	1	682170	Service Kit
7	1	219040	Flow Divider/Combiner
8	1	220148	Service Kit

Cylinder

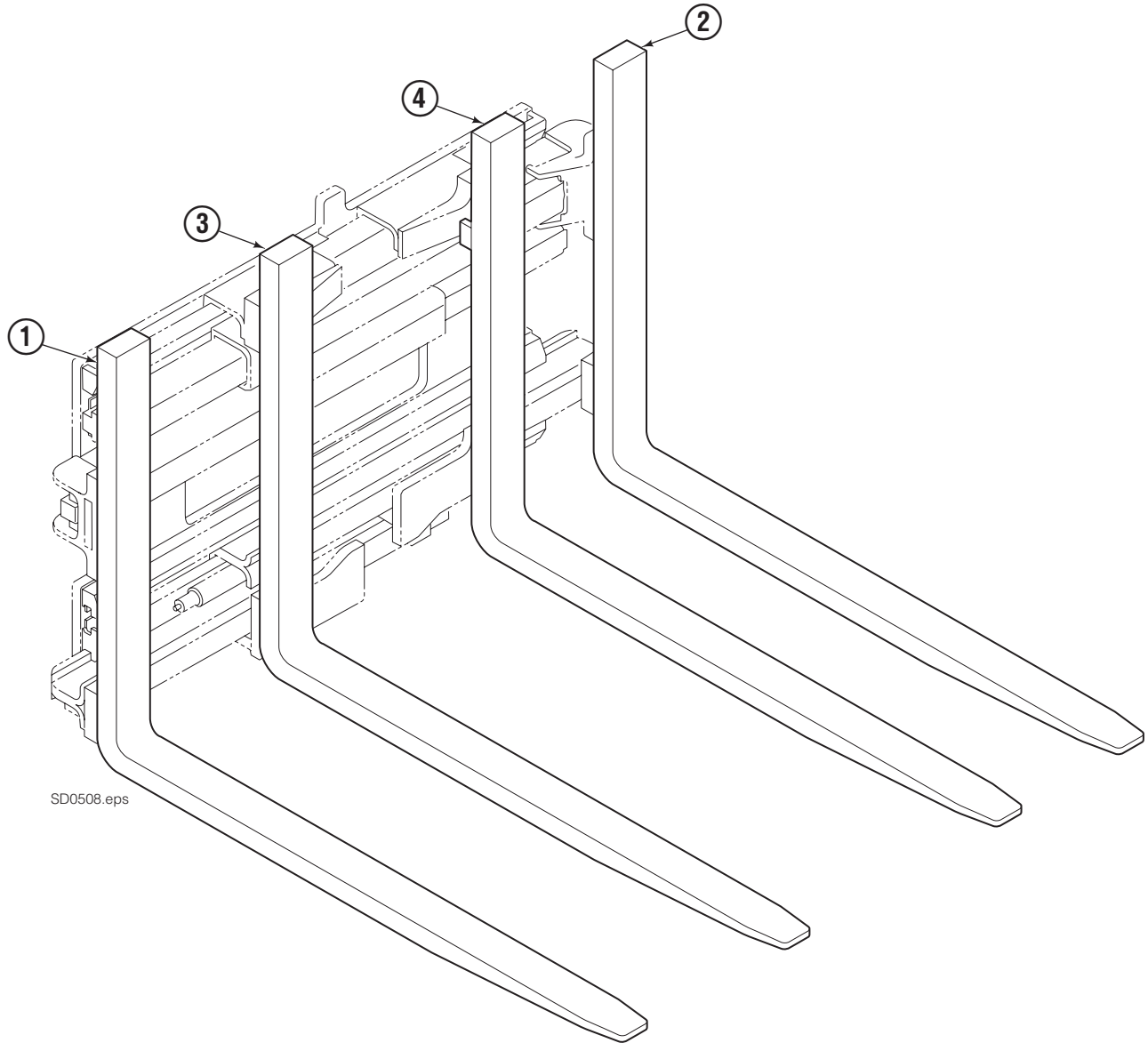


55E							
REF	QTY	PART NO.	DESCRIPTION	REF	QTY	PART NO.	DESCRIPTION
		205842	Cylinder Assembly, 810 mm	8	2	563278	◆ Bearing Ring
1	2	562131	◆ Wiper Seal	9	1	564141	◆ Piston Seal
2	2	562951	Snap Ring	10	2	562792	Retainer
3	2	562942	Retaining Ring	11	2	208378	◆ Rod End Cap
4	2	563388	◆ Back-up Ring	12	2	564226	Speed Control Washer ●
5	2	562127	◆ O-Ring	13	2	—	Spacer
6	2	562132	◆ Rod Seal	14	1	■	Cylinder Shell
7	1	562055	Rod			563487	Service Kit

◆ Included in Service Kit 563487.
Reference: S-6105.

● Included in Restrictor Group 205369.
■ Not serviceable. Order new Cylinder assembly.

Fork Group

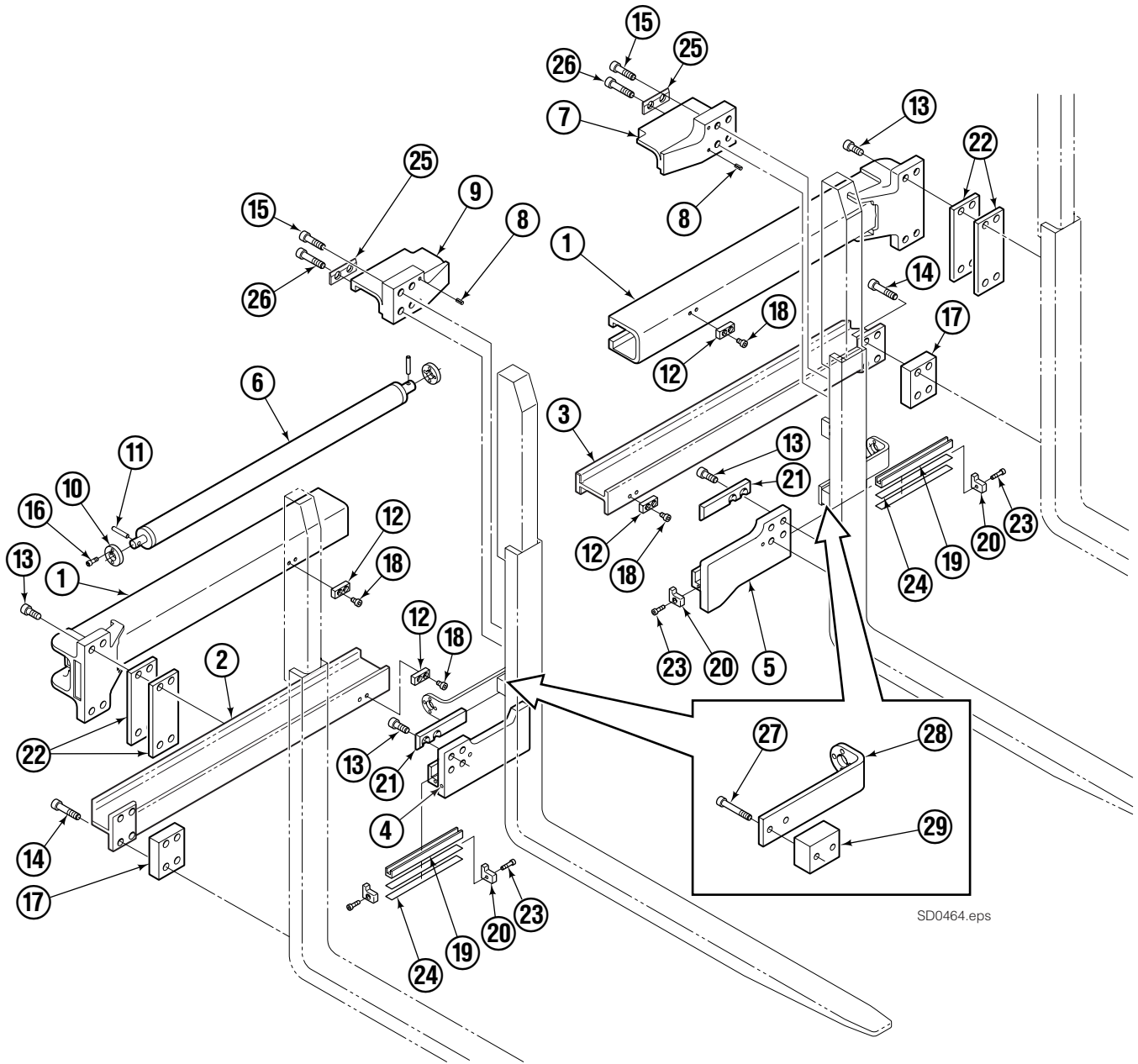


SD0508.eps

55E			
REF	QTY	PART NO.	DESCRIPTION
		6115505	Fork Group
1	1	6115507	Outer Fork – RH
2	1	6115506	Outer Fork – LH
3	1	6115509	Inner Fork – RH
4	1	6115508	Inner Fork – LH

Reference: S-28191, S-28255.

Arm Group



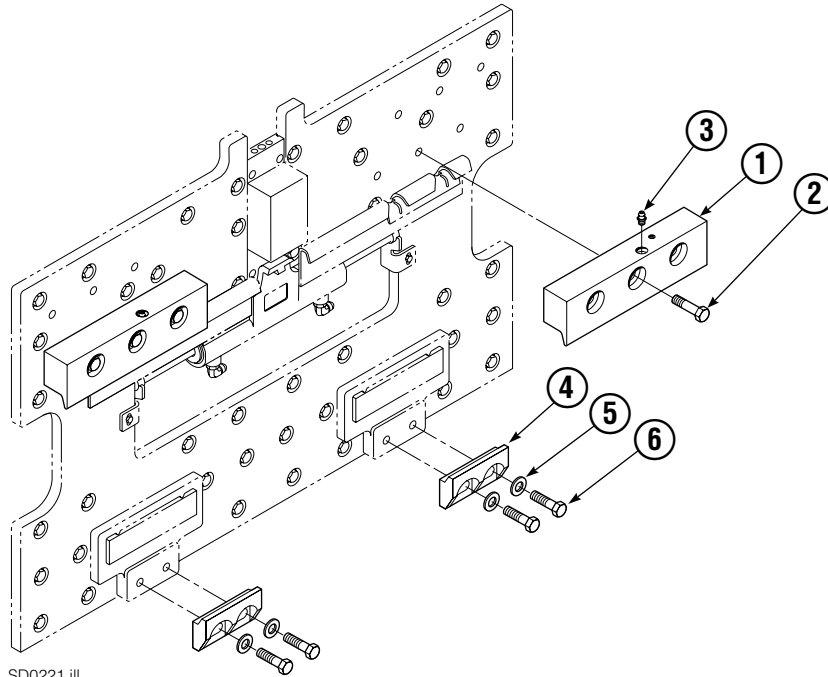
SD0464.eps

Arm Group

55E			
REF	QTY	PART NO.	DESCRIPTION
		6113118	Arm Group
1	2	6117234	Upper Arm Bar (28343)
2	1	220216	Lower Arm Bar – RH (28039)
3	1	220206	Lower Arm Bar – LH (28038)
4	1	6110801	Lower Hook – RH (28216)
5	1	6110800	Lower Hook – LH (28215)
6	1	6111736	Spring Cylinder
7	1	6110789	Upper Hook – LH (28208)
8	4	769014	Roll Pin
9	1	6110790	Upper Hook – RH (28209)
10	2	6003311	Retainer
11	2	6110442	Pin, M6 x 32
12	4	212687	Fork Stop
13	16	769574	Capscrew, M16 x 35
14	8	769578	Capscrew, M16 x 60
15	4	769577	Capscrew, M16 x 50
16	4	787375	Capscrew, M8 x 20
17	2	210587	Spacer
18	8	214414	Capscrew, M10 x 12
19	2	4501-0222	Bearing Segment
20	4	225345	Bearing Retainer
21	2	213899	Bearing
22	4	797610	Spacer
23	4	787375	Capscrew, M8 x 20
24	6	212559	Shim (.04 in.) (1 mm)
25	2	6110402	Bearing Plate
26	4	682073	Capscrew, M16 x 70
27	4	768814	Capscrew, M10 x 60
28	2	28258-0203	Bracket
29	2	6113096	Spacer

Reference: Common Parts Group 6113120,
S-28207, S-28214.

Mounting Group ITA Class II



SD0221.ill

55E			
REF	QTY	PART NO.	DESCRIPTION
		212569	Upper Hook Group ▲
		211173	Lower Hook Group ★
1	2	210591	Upper Hook
2	6	751511	Capscrew, M16 x 55
3	2	7403	Grease Fitting
4	2	675968	Lower Hook
5	4	667225	Washer
6	4	751511	Capscrew, M16 x 55

▲ Includes items 1 & 2.

★ Includes items 4-6.

Reference: SK-6373.

Do you have questions you need answered right now? Call your nearest Cascade Parts Department. Visit us online at www.cascorp.com

**Cascade Corporation
U.S. Headquarters**
2201 NE 201st
Fairview, OR 97024-9718
Tel: 800-CASCADE (227-2233)
FAX: 888-329-8207

Cascade Canada Inc.
5570 Timberlea Blvd.
Mississauga, Ontario
Canada L4W-4M6
Tel: 905-629-7777
FAX: 905-629-7785

Cascade GmbH
Niederwippekühl 1
58579 Schalksmühle
Germany
Tel: 02355-50900
FAX: 02355-509020

Cascade Finland
A. Petreliuksenkatu 3
01370 Vantaa
Finland
Tel: 09-8361925
FAX: 09-8361935

**Cascade N.V.
Benelux Sales and Service**
Damsluisweg 56
PO Box 3009
1300 El Almere
The Netherlands
Tel: 036-5492950
FAX: 036-5492974

Cascade Kenhar Ltd.
3 Kelbrook Road
Parkhouse Ind. Estate
Openshaw,
Manchester M11 2DD
England
Tel: 0800-243015
FAX: 0161-4384055

**Sales Scotland
Macade Systems Ltd.**
18 Melford Road
Righead Ind. Estate
Bellshill ML4 3LR
Scotland
Tel: 01698-845777
FAX: 01698-845888

Cascade (Africa) Pty. Ltd.
PO Box 625, Isando 1600
60A Steel Road
Sparton, Kempton Park
South Africa
Tel: 27-11-975-9240
FAX: 27-11-394-1147

Cascade Scandinavia AB
Hammarvägen 10
PO Box 124
S-56723 Vaggeryd
Sweden
Tel: 039-336950
FAX: 039-336959

**Cascade France
S.A.R.L. MHP**
1D Rue De Charaintru BP 18,
91360 Epinay-Sur-Orge
France
Tel: 01-6454-7500
FAX: 01-6454-7501

Cascade Hispania S.A.
Carrer 5, Sector C
Zona Franca Duanera
Poligono de la Zona Franca
08040 Barcelona, Spain
Tel: 93-264-07-30
FAX: 93-264-07-31

Cascade Italia S.R.L.
Via Dell'Artigianato 1
37050 Vago di Lavagno (VR)
Italy
Tel: 39-045-8989111
FAX: 39-045-8989160

Movimenta Lda.
Parque Industrial
Vale do Alecrim, Lote 108
2950-403 Palmela
Portugal
Tel: 351-212387340
FAX: 351-212387349

**Sales Switzerland
Fahrzeugbedarf**
8810, Horgen
Switzerland
Tel: 01-7279797
FAX: 01-7279798

Sales Poland
Targowa 35/61
03-728 Warszawa
Tel: 022-619 00 49
FAX: 022-619 00 49
Mobile Tel: 0501-27 29 55

Sales Russia
EMCG Material Handling
Equipment
Moscow
Tel: 095-795-2400
FAX: 095-795-2475
Email: emcg@emcg.ru

Cascade Japan Ltd.
5-5-41,
Torikai Kami
Settsu, Osaka
Japan, 566
Tel: 81-726-53-3490
FAX: 81-726-53-3497

Cascade Korea
121B 9L Namdong Ind.
Complex, 691-8 Gojan-Dong
Namdong-Ku
Inchon, 405-310 Korea
Tel: 82-32-821-2051
FAX: 82-32-821-2055

Cascade Australia
1445 Ipswich Road
Rocklea, QLD 4107
Australia
Tel: 1-800-227-223
FAX: 617-3373-7333

Cascade New Zealand
15 Ra Ora Drive
East Tamaki, Auckland
New Zealand
Tel: 64-9-273-9136
FAX: 64-9-273-9137

Cascade-Xiamen
No. 668 Yangguang Rd.
Xinyang Industrial Zone
Haicang, Xiamen City
Fujian Province
P.R. China 361026
Tel: 86-592-651-2500
FAX: 86-592-651-2571

**Sunstream Industries
Pte Ltd.**
No. 3 Tuas Link 1
2263
Singapore
Tel: 65-6863-3488
FAX: 65-6863-1368

**Cascade do Brasil
Distribuidora de Garras
e Garfos LTDA**
Rua João Guerra, 134
Macuco, Santos - SP
Brasil 11015-130
Tel: 55-13-2105-8800
Fax: 55-13-2105-8899

