



# Parts Manual

---

Model Single-Double Pallet Handler

Serial Number 50D-ES-304

---

**cascade**<sup>®</sup>

**For Technical Assistance call:** 800-227-2233, Fax: 888-329-8207

**To Order Parts call:** 888-227-2233, Fax: 888-329-0234

**OR**

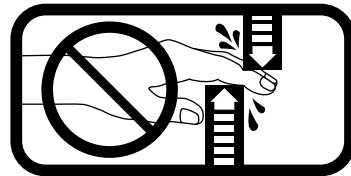
**Write:** Cascade Corporation, P.O. Box 20187, Portland, OR 97220

**Internet:** [www.cascorp.com](http://www.cascorp.com)

# Safety Decals

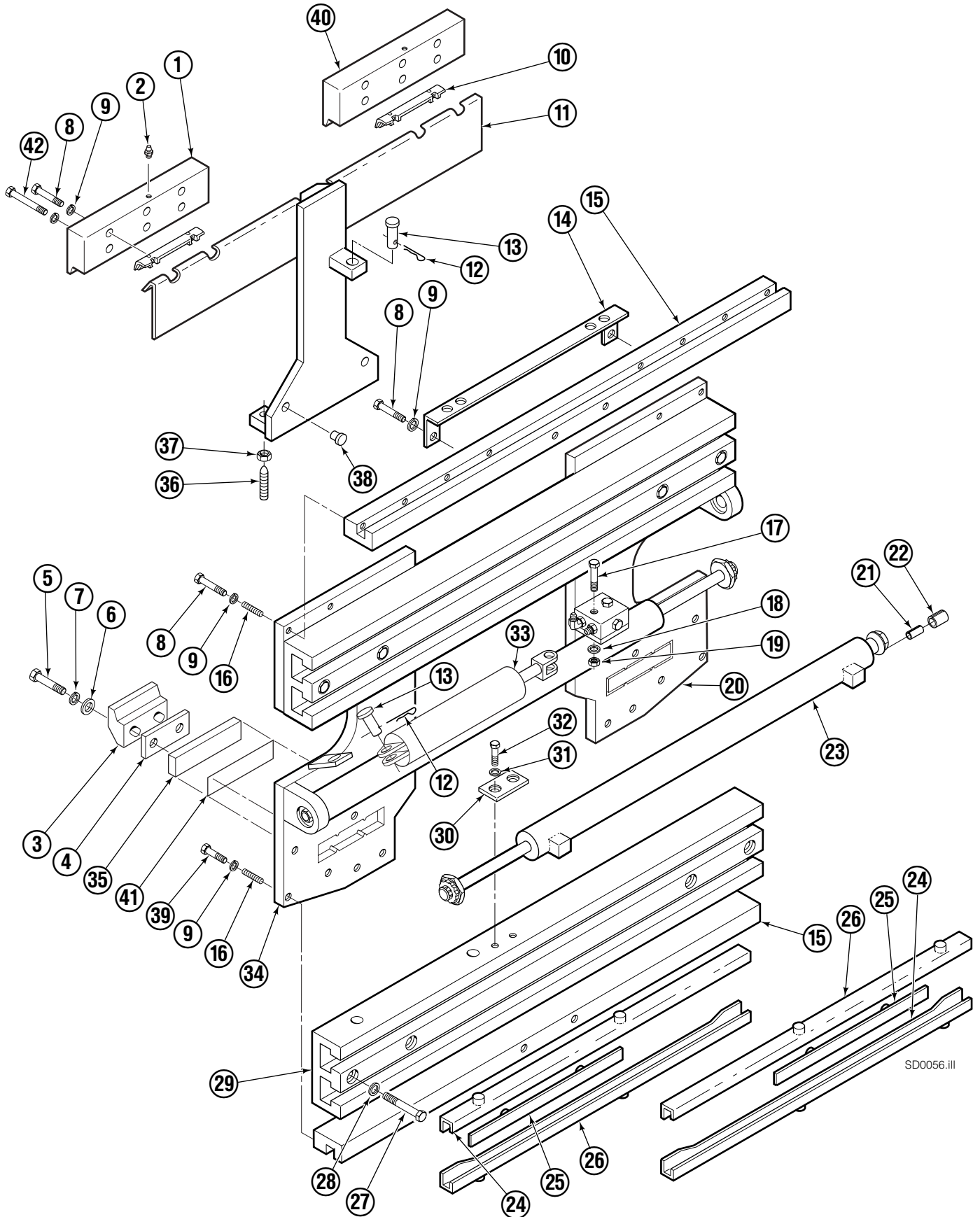


Part No. 679150  
(1 Place & 1 Optional)



Part No. 665595  
(2 Place & 2 Optional)

# Base Unit and Mounting ITA Class III



SD0056.III

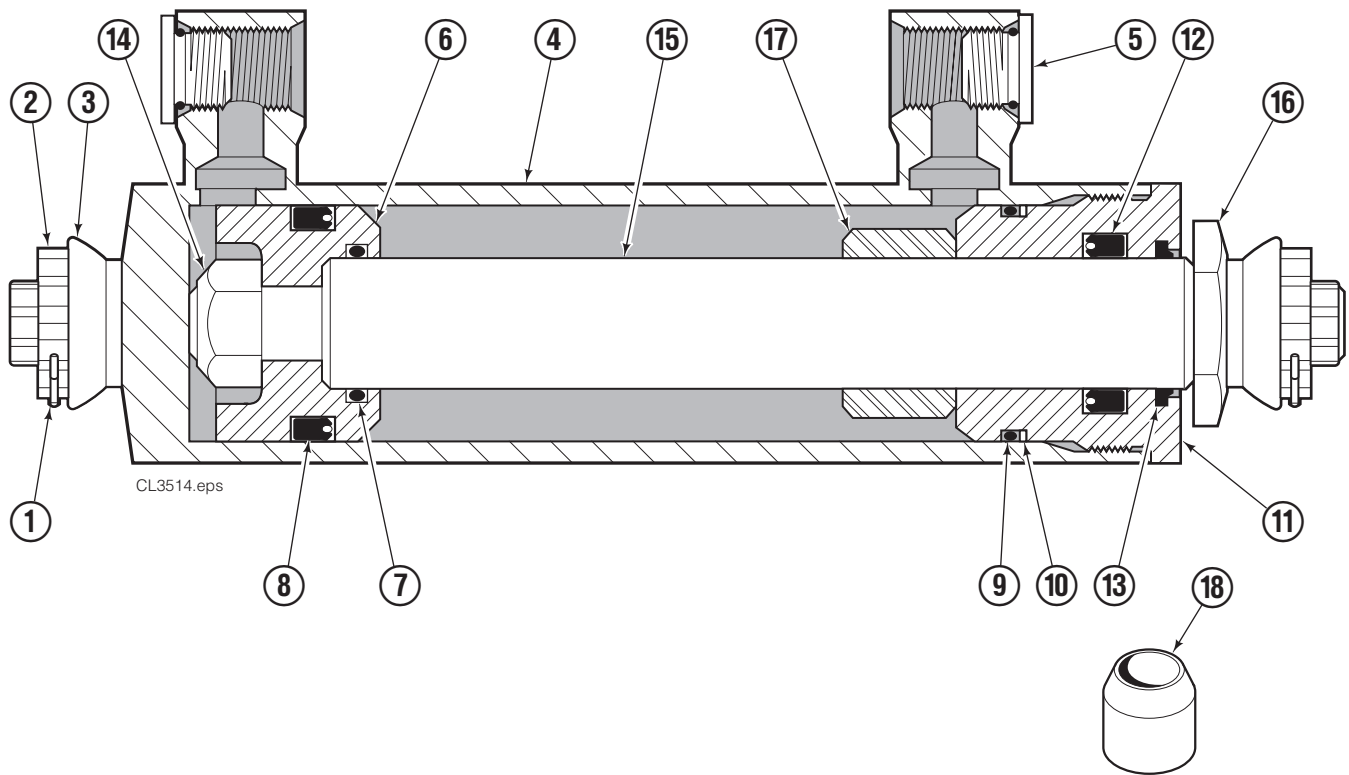
# Base Unit and Mounting ITA Class III

<b>50D</b>							
<b>REF</b>	<b>QTY</b>	<b>PART NO.</b>	<b>DESCRIPTION</b>	<b>REF</b>	<b>QTY</b>	<b>PART NO.</b>	<b>DESCRIPTION</b>
		211280	Base Unit Group	21	2	7962	Roll Pin
		211724	Common Parts Group	22	2	7861	Roll Pin
		204276	Mounting Group	23	2	204200	Cylinder ■
1	1	204265	Upper Hook–RH	24	4	208857	Bearing
2	4	7403	Grease Fitting	25	4	208858	Bearing
3	2	675969	Lower Hook	26	4	667663	Bearing
4	2	204273	Spacer	27	8	667909	Capscrew, 1/2NCx3.0
5	4	667808	Capscrew, 5/8NCx2.0 GR8	28	8	667910	Washer
6	4	667225	Washer	29	2	211273	Frame
7	4	6292	Lockwasher	30	2	211267	Stop
8	20	643539	Capscrew, 1/2NCx1.75 GR8	31	4	6288	Lockwasher, 3/8
9	30	6290	Lockwasher, 1/2	32	4	629516	Capscrew, 3/8NCx1.0 GR8
10	2	672018	Bearing	33	1	675548	Sideshift Cylinder ◆
11	1	204266	Anchor	34	1	204254	Mounting Plate–RH
12	2	672726	Cotter Pin	35	2	204212	Lower Bearing
13	2	678525	Pin	36	2	5027	Setscrew
14	1	205227	Bracket	37	2	5932	Nut
15	2	205222	Channel	38	2	200761	Thrust Plug
16	4	205324	Spring Pin	39	6	643538	Capscrew, 1/2NCx1.50 GR8
17	2	3559	Capscrew, 1/4NCx2.0 GR5	40	1	204267	Upper Hook–LH
18	2	6201	Washer, 1/4	41	2	204274	Strip
19	2	6097	Nut	42	4	643542	Capscrew, 1/2NCx2.75 GR8
20	1	204284	Mounting Plate–LH				

■ See Cylinder page for parts breakdown.

◆ See Sideshift Cylinder page for parts breakdown.

# Cylinder Assembly



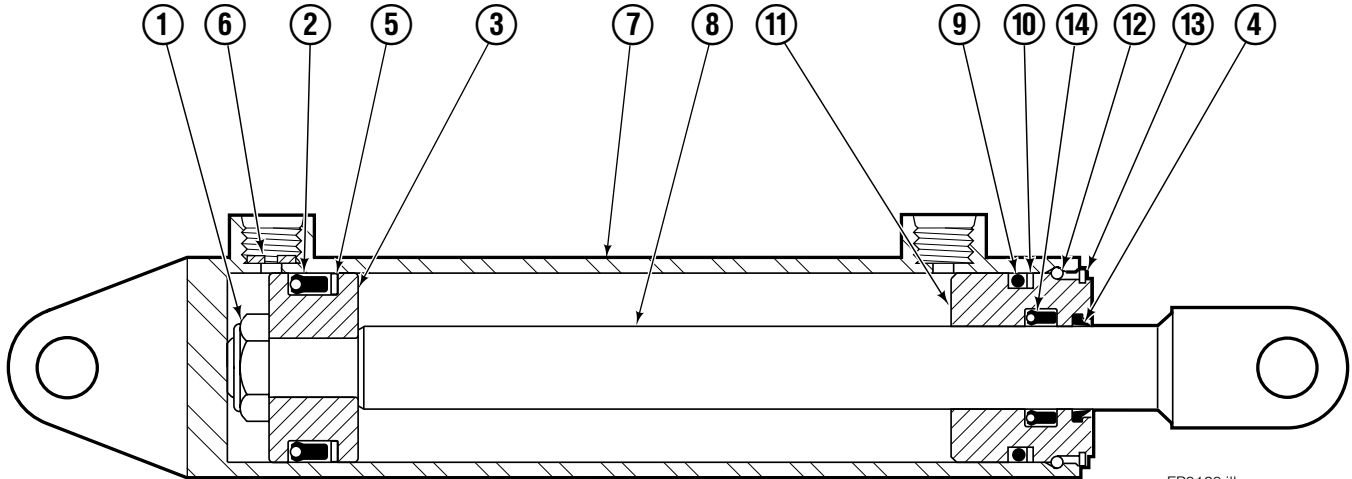
REF	QTY	PART NO.	DESCRIPTION
		204200	Cylinder Assembly
1	2	6510	■ Cotter Pin
2	2	667624	■ Nut Retainer
3	2	667625	■ Nut
4	1	559662	Shell
5	2	602580	Fitting
6	1	559702	Piston
7	1	2716	▲ O-Ring
8	1	662450	▲ Seal
9	1	2722	▲ O-Ring
10	1	615126	▲ Back-Up Ring
11	1	413799	Retainer
12	1	662448	▲ Seal
13	1	636853	▲ Wiper
14	1	667623	Nut
15	1	416991	Rod
16	1	667626	Washer
17	1	-	Spacer
18	1	671051	▲ Seal Loader, Retainer
		560729	Service Kit

■ Included in Nut Service Kit 668926.

▲ Included in Service Kit 560729.

Reference: ST-0283, ST-0284.

# Sideshift Cylinder ITA Class III



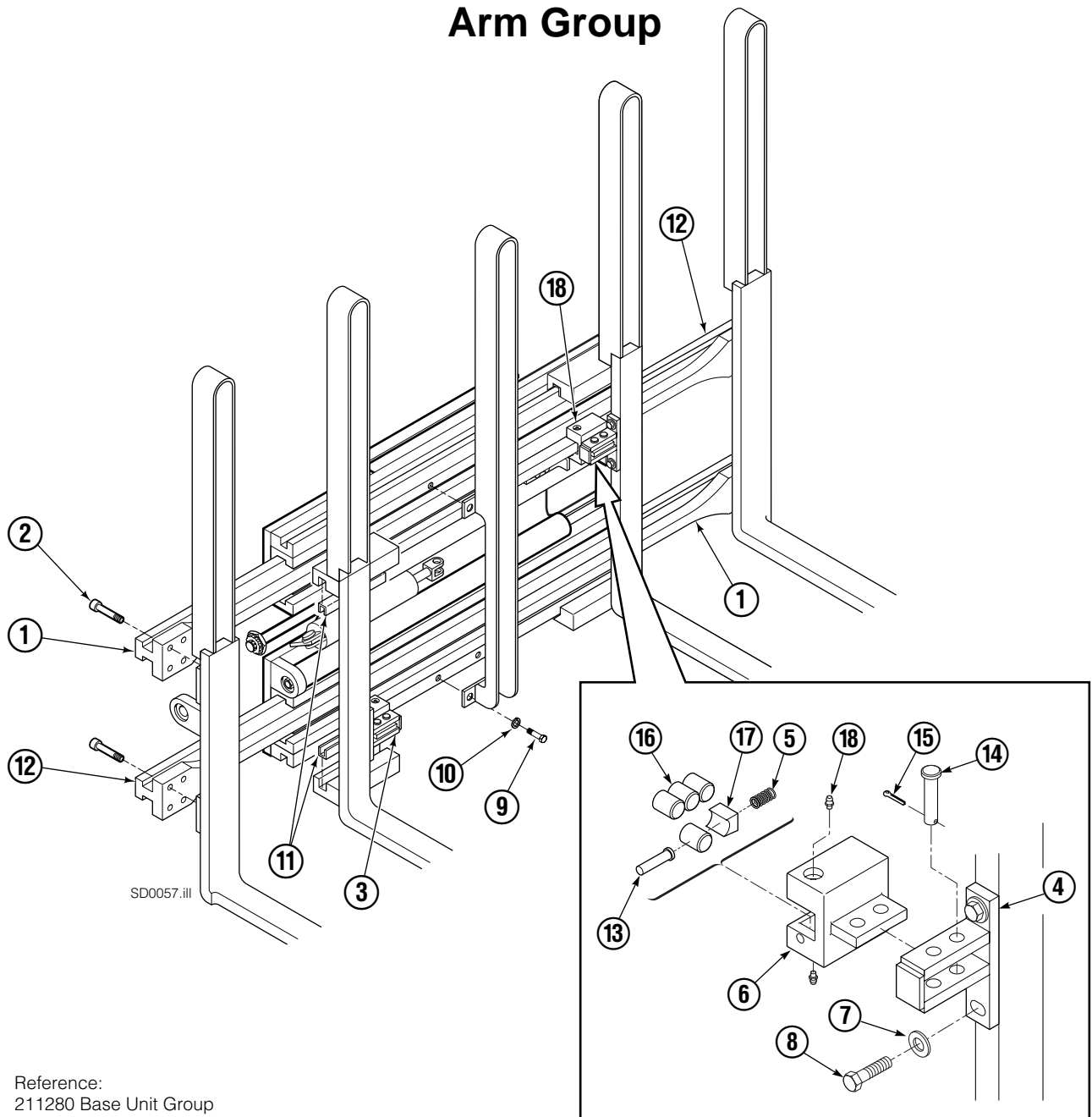
FP0126.ill

55E			
REF	QTY	PART NO.	DESCRIPTION
		675548	Cylinder Assembly
1	1	553857	Nut
2	1	662452	■ Seal
3	1	553501	Piston
4	1	636851	■ Wiper
5	1	638247	■ Back-up Ring
6	1	675550	Washer (orifice .085 in.) ●
7	1	675549	Shell
8	1	553499	Rod
9	1	2785	■ O-Ring
10	1	615128	■ Back-up Ring
11	1	553500	Retainer
12	1	553856	Retaining Ring
13	1	7202	Snap Ring
14	1	641835	■ Seal
		553861	Service Kit

■ Included in Service Kit 553861.

● Not included in Cylinder Assembly.

# Arm Group



SD0057.iii

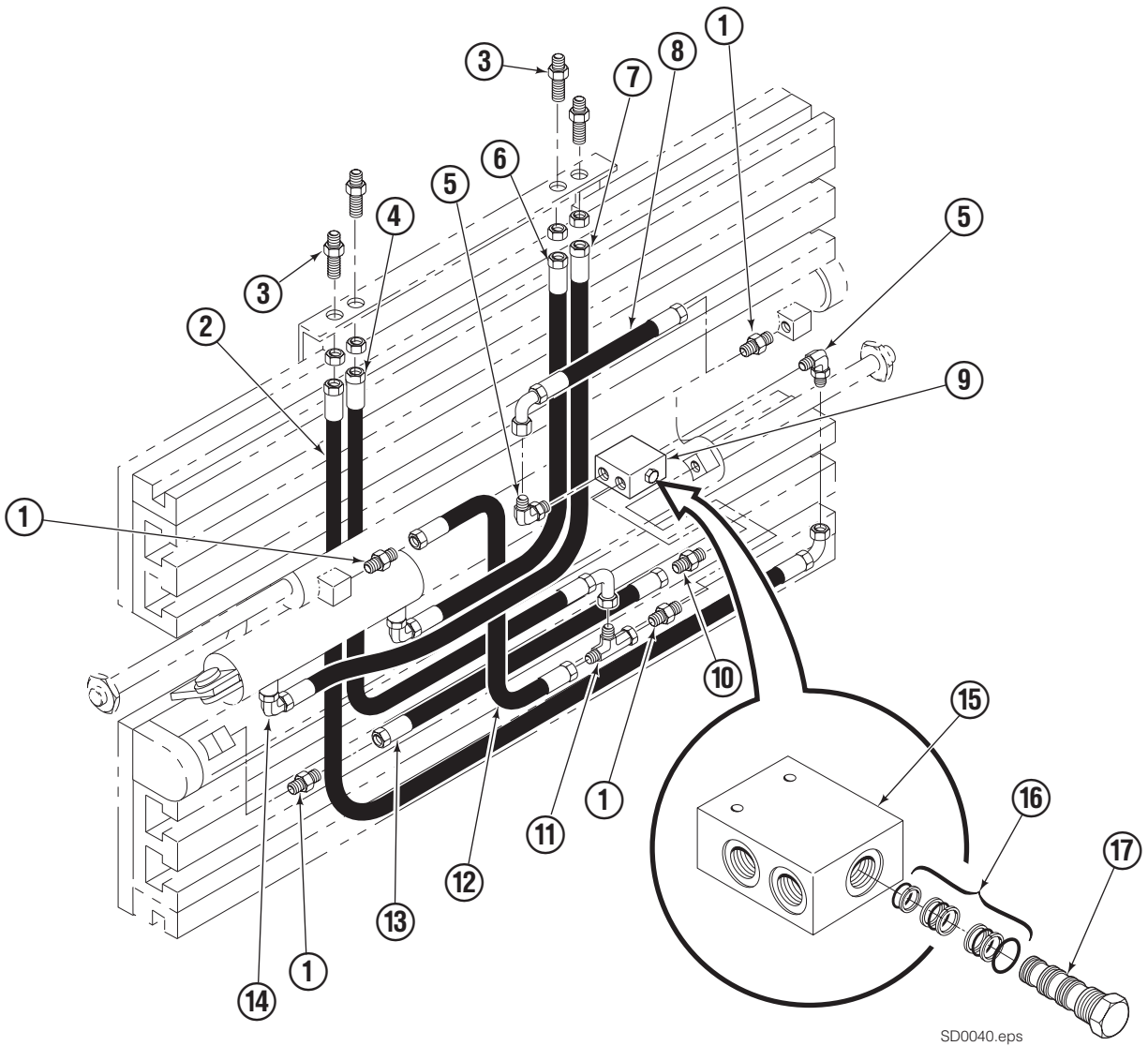
Reference:  
211280 Base Unit Group  
211274 Common Parts Group

## 50D

REF	QTY	PART NO.	DESCRIPTION	REF	QTY	PART NO.	DESCRIPTION
		204261	Arm Group	9	4	633801	Capscrew
1	2	204258	Arm Bar	10	4	6290	Washer
2	16	607103	Capscrew, 3/4 NCx1.50 GR8	11	4	209654	Bearing
3	1	211272	Roller Assembly – R.H.	12	2	204259	Arm Bar
3	1	211277	Roller Assembly – L.H.	13	1	209433	■ Pin
4	1	209410	■ Anchor Plate	14	2	674265	■ Clevis Pin
5	1	211729	■ Spring	15	2	6524	■ Cotter Pin
6	1	211271	■ Housing – R.H.	16	4	209430	■ Roller
6	1	209659	■ Housing – L.H.	17	1	209431	■ Spring Keeper
7	4	6455	Washer	18	2	211270	■ Grease Fitting
8	4	4506	Capscrew				

■ Included in Roller Assembly (Item 3).

# Base Unit Group - Hydraulics



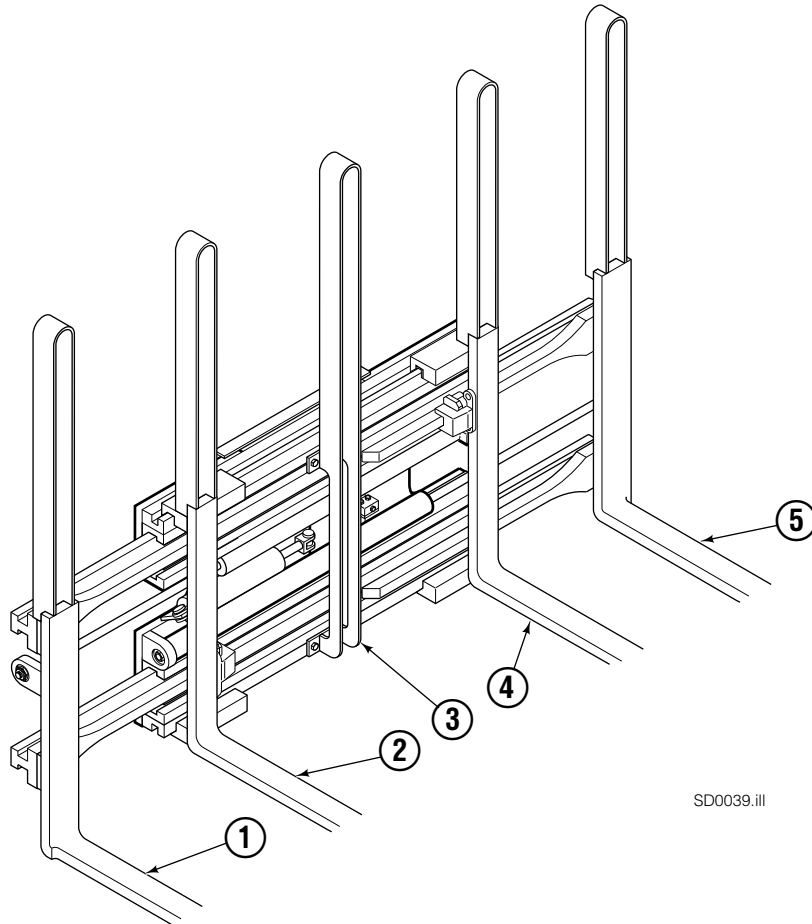
SD0040.eps

50D							
REF	QTY	PART NO.	DESCRIPTION	REF	QTY	PART NO.	DESCRIPTION
1	4	611288	Fitting, 6-8	10	2	604511	Fitting, 6-6
2	1	205226	Hose, 34.25 in.	11	1	611329	Fitting, 6-6
3	4	2375	Fitting, 6-6	12	1	675953	Hose, 24.50 in.
4	1	205225	Hose, 33.00 in.	13	1	204224	Hose, 22.75 in.
5	2	601676	Fitting, 6-6	14	2	666984	Fitting, 4-6
6	1	205224	Hose, 25.50 in.	15	1	204222	● Valve Body
7	1	205223	Hose, 35.50 in.	16	1	6071170	● Service Kit
8	1	201567	Hose, 7.00 in.	17	1	210266	● Valve Cartridge
9	1	204223	Valve Assembly				

Reference: Base Unit 211280, Common Parts 211724.

● Included in Valve Assembly 204223.

# Fork and Backrest Group Loop Backrest

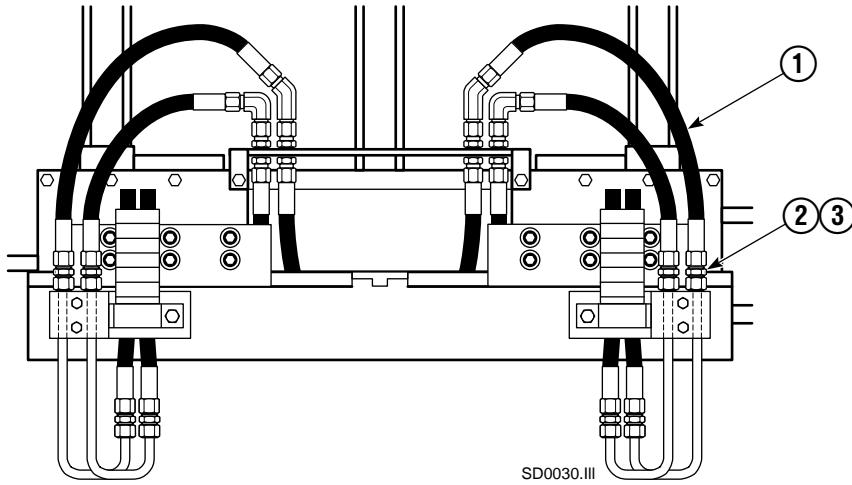


SD0039.ill

50D			
REF	QTY	42"x 48"■ PART NO.	DESCRIPTION
		204262	Fork and Backrest Group
1	1	204252	Outer Fork-RH
2	1	204246	Inner Fork-RH
3	1	204260	Center Backrest
4	1	204244	Inner Fork-LH
5	1	204250	Outer Fork-LH

■ Fork length x backrest height.

# Installation Kit



REF	QTY	PART NO.	DESCRIPTION
		205854	Installation Kit
1	4	2161	Hose
2	4	2347	Fitting, 6-6
3	4	674294	Fitting, 6-8



**Do you have questions you need answered right now?** Call your nearest Cascade Parts Department.

### **AMERICAS**

**Cascade Corporation  
Parts Sales**  
2501 Sheridan Ave.  
Springfield, OH 45505  
Tel: 888-CASCADE (227-2233)  
Fax: 888-329-0234

**Cascade Canada Inc.**  
5570 Timberlea Blvd.  
Mississauga, Ontario  
Canada L4W-4M6  
Tel: 905-629-7777  
Fax: 905-629-7785

**Cascade do Brasil**  
Rua João Guerra, 134  
Macuco, Santos - SP  
Brasil 11015-130  
Tel: 55-13-2105-8800  
Fax: 55-13-2105-8899

### **EUROPE-AFRICA**

**Cascade Italia S.R.L.  
European Headquarters**  
Via Dell'Artigianato 1  
37050 Vago di Lavagno (VR)  
Italy  
Tel: 39-045-8989111  
Fax: 39-045-8989160

**Cascade (Africa) Pty. Ltd.**  
PO Box 625, Isando 1600  
60A Steel Road  
Sparton, Kempton Park  
South Africa  
Tel: 27-11-975-9240  
Fax: 27-11-394-1147

### **ASIA-PACIFIC**

**Cascade Japan Ltd.**  
2-23, 2-Chome,  
Kukuchi Nishimachi  
Amagasaki, Hyogo  
Japan, 661-0978  
Tel: 81-6-6420-9771  
Fax: 81-6-6420-9777

**Cascade Korea**  
121B 9L Namdong Ind.  
Complex, 691-8 Gojan-Dong  
Namdong-Ku  
Inchon, Korea  
Tel: +82-32-821-2051  
Fax: +82-32-821-2055

**Cascade-Xiamen**  
No. 668 Yangguang Rd.  
Xinyang Industrial Zone  
Haicang, Xiamen City  
Fujian Province  
P.R. China 361026  
Tel: 86-592-651-2500  
Fax: 86-592-651-2571

**Cascade India Material  
Handling Private Limited**  
No 34, Global Trade Centre  
1/1 Rambaugh Colony  
Lal Bahadur Shastri Road,  
Navi Peth, Pune 411 030  
(Maharashtra) India  
Phone: +91 020 2432 5490  
Fax: +91 020 2433 0881

**Cascade Australia Pty. Ltd.**  
1445 Ipswich Road  
Rocklea, QLD 4107  
Australia  
Tel: 1-800-227-223  
Fax: +61 7 3373-7333

**Cascade New Zealand**  
15 Ra Ora Drive  
East Tamaki, Auckland  
New Zealand  
Tel: +64-9-273-9136  
Fax: +64-9-273-9137

**Sunstream Industries  
Pte. Ltd.**  
18 Tuas South Street 5  
Singapore 637796  
Tel: +65-6795-7555  
Fax: +65-6863-1368

