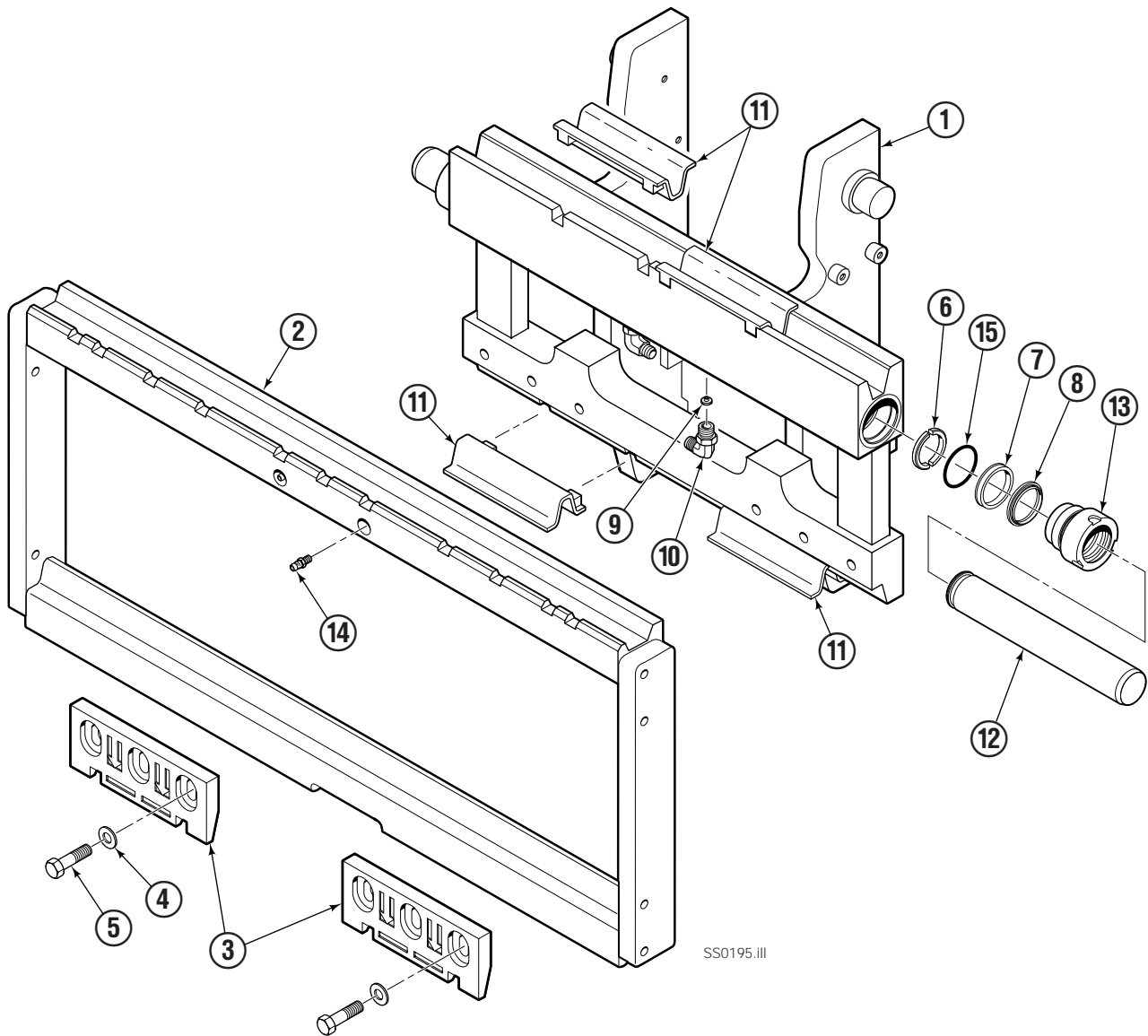


Integral Sideshifter



SS0195.iii

50B			
REF	QTY	PART NO.	DESCRIPTION
1	1	222341	Carriage
2	1	798715	Frame - 920 mm
3	2	797084	Lower Hook
4	6	200456	Washer
5	6	763021	Capscrew
6	4	797087	Bearing ●
7	2	797091	Seal ●
8	2	797090	Wiper ●
9	2	564226	Restrictor
10	2	601676	Fitting
11	4	797088	Bearing
12	2	222344	Rod
13	2	220434	Retainer
14	2	7403	Grease Fitting
15	2	218228	O-Ring ●

● Included in Service Kit 222337.

Reference: Drawings 222340 R-0, SK-6430, S-10584.

Nissan Part No. 70810-5G551, Truck Model JC2 Optiview Mast