



# Parts Manual

---

Model Single-Double Pallet Handler

Serial Number 70E-FDS-004

---

**cascade**<sup>®</sup>  
**corporation**

**For Technical Assistance call:** 800-227-2233, Fax: 888-329-8207

**To Order Parts call:** 888-227-2233, Fax: 888-329-0234

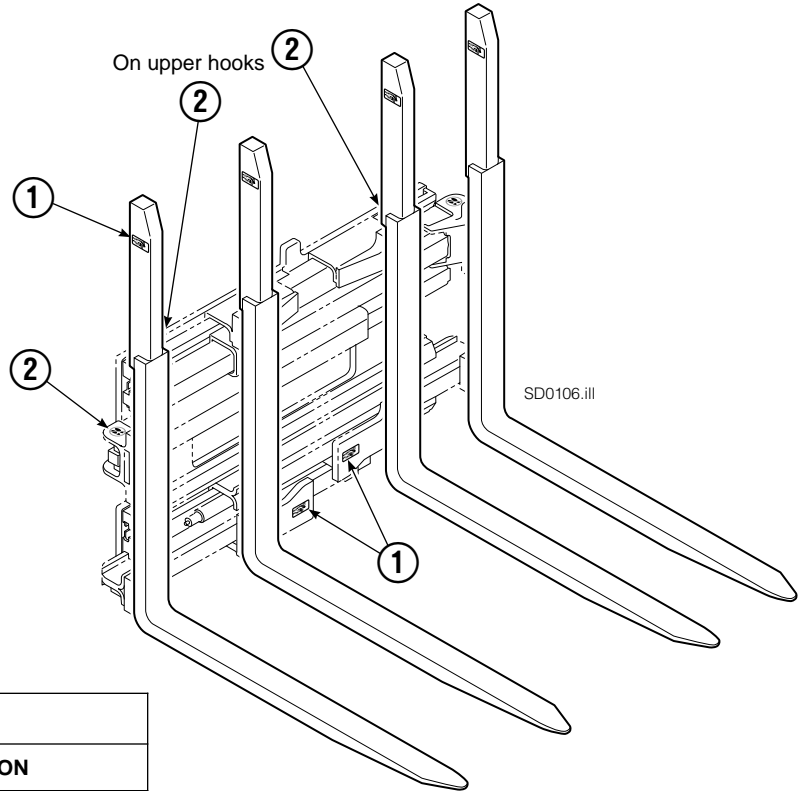
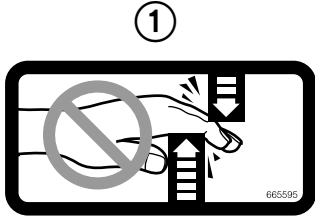
**OR**

**Write:** Cascade Corporation, P.O. Box 20187, Portland, OR 97220

**Internet:** [www.cascorp.com](http://www.cascorp.com)

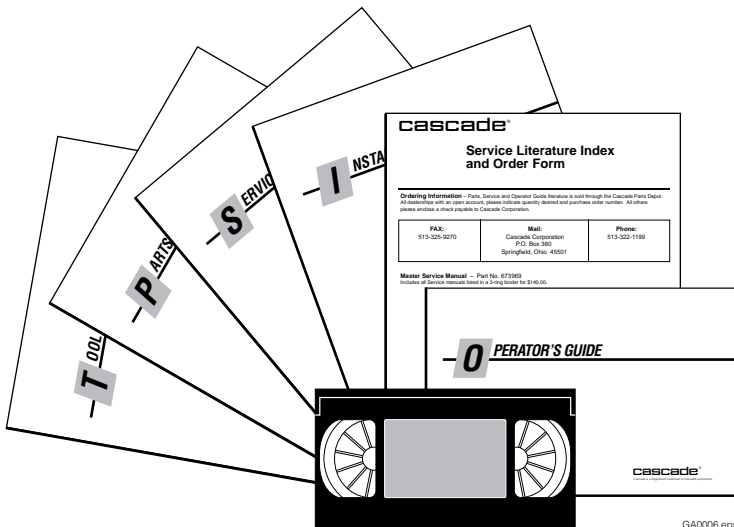


# Decals



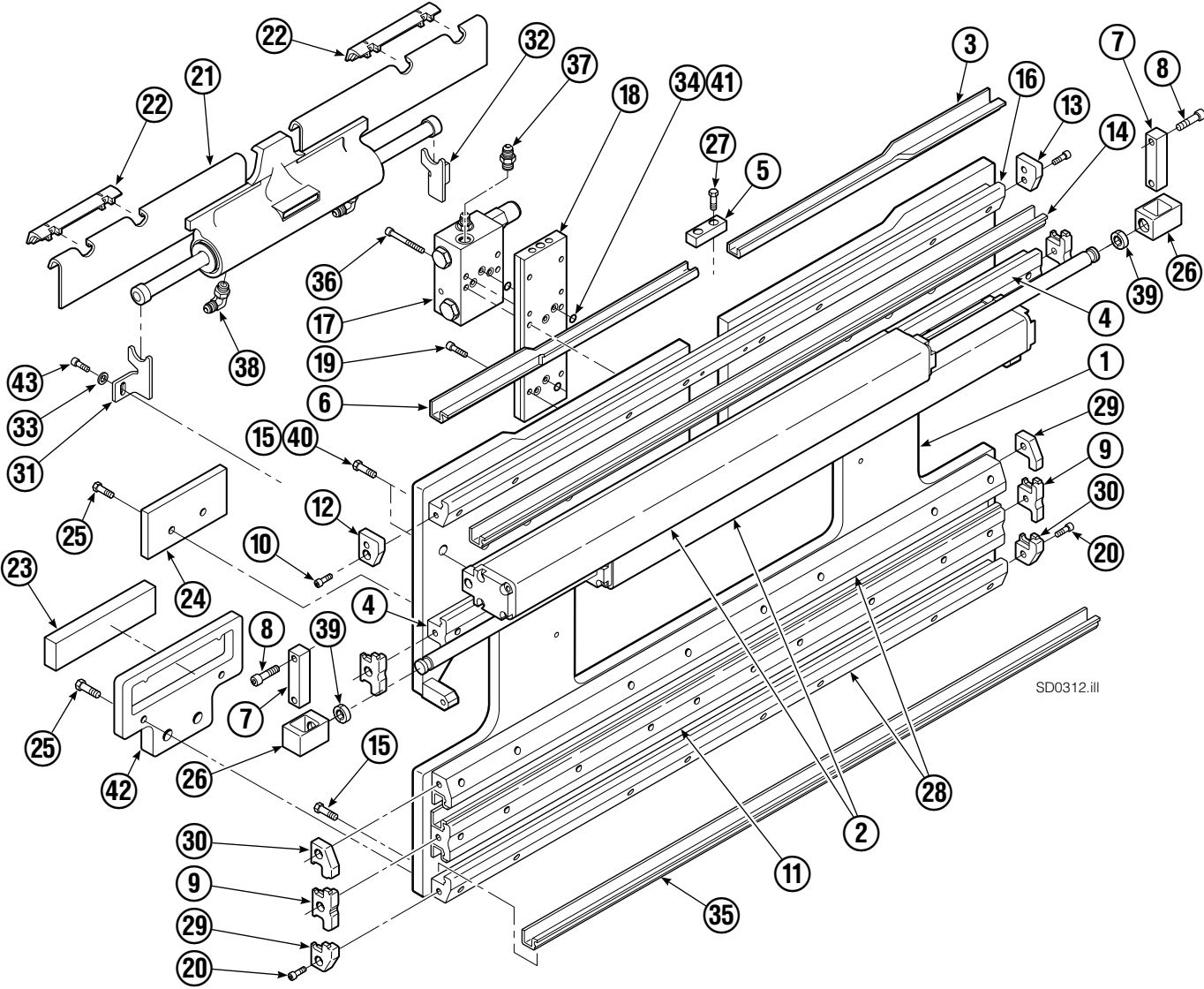
| 70E |     |          |                    |
|-----|-----|----------|--------------------|
| REF | QTY | PART NO. | DESCRIPTION        |
| 1   | 6   | 665595   | No Hand Hold Decal |
| 2   | 4   | 679150   | No Step Decal      |

# Publications



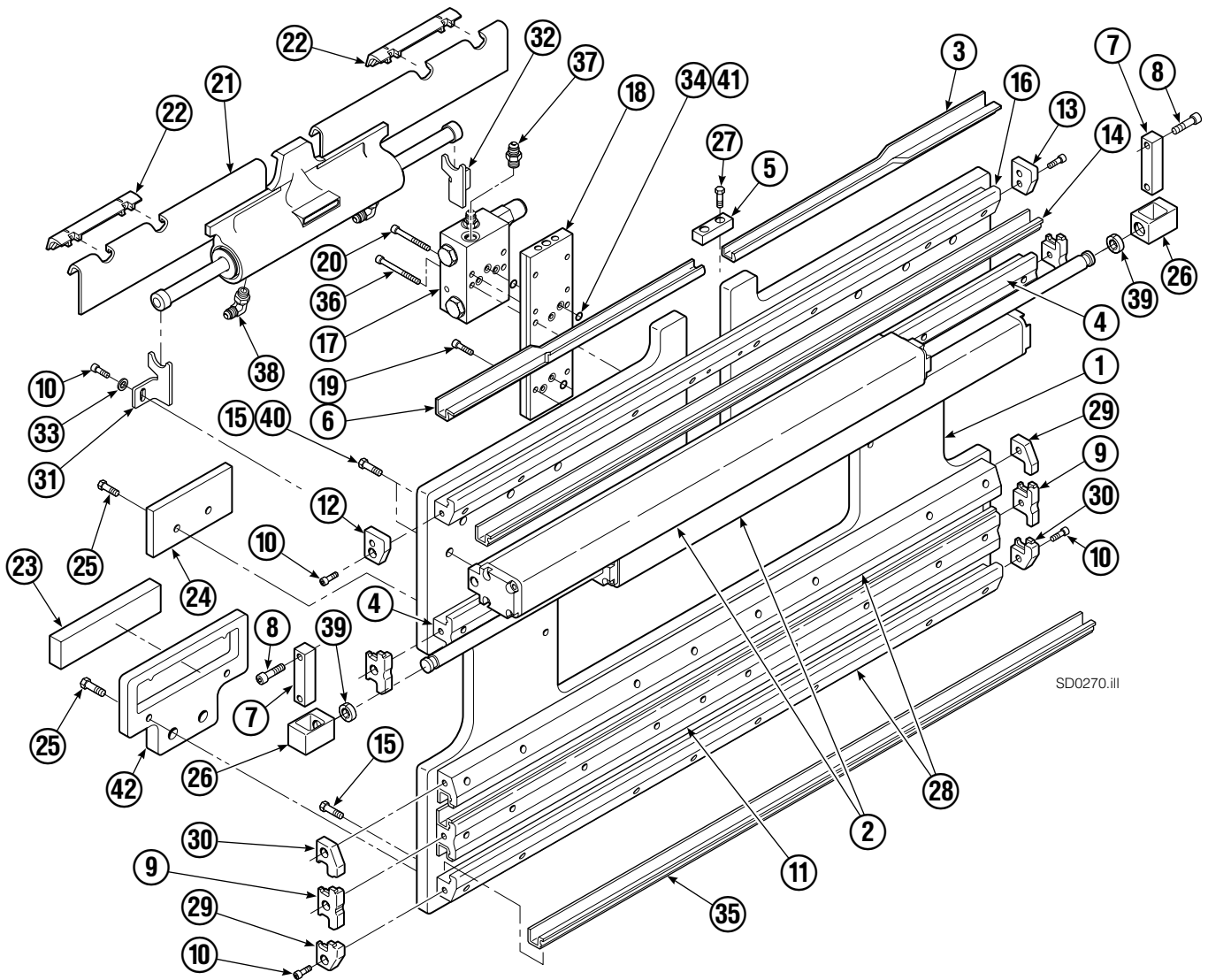
| 70E      |                             |
|----------|-----------------------------|
| PART NO. | DESCRIPTION                 |
|          | Parts Manual                |
| 213580   | Operator's Guide            |
| 213372   | Installation Instructions   |
| 679929   | Tool Catalog                |
| 673964   | Literature Index Order Form |

# Base Unit Group



SD0312.ill

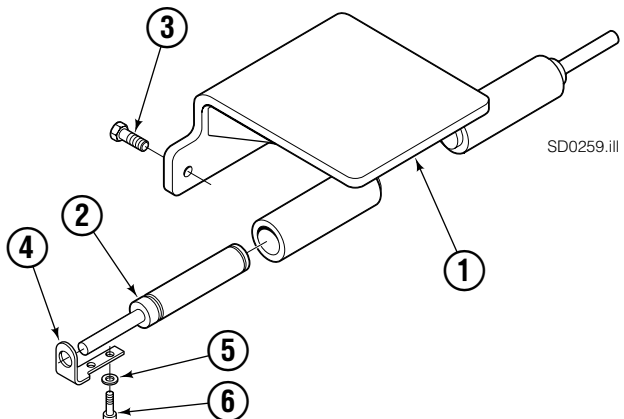
# Base Unit Group



## Inner Fork Control Group

| 70E |     |          |                          |
|-----|-----|----------|--------------------------|
| REF | QTY | PART NO. | DESCRIPTION              |
|     |     | 6010189  | Inner Fork Control Group |
| 1   | 1   | 6009377  | Bracket                  |
| 2   | 2   | 225395   | Gas Cylinder             |
| 3   | 3   | 683821   | Capscrew, M12 x 20       |
| 4   | 2   | 230791   | Retainer                 |
| 5   | 4   | 202346   | Washer, M6               |
| 6   | 4   | 768785   | Capscrew, M6 x 10        |

Reference: Actuator Assembly 6009376

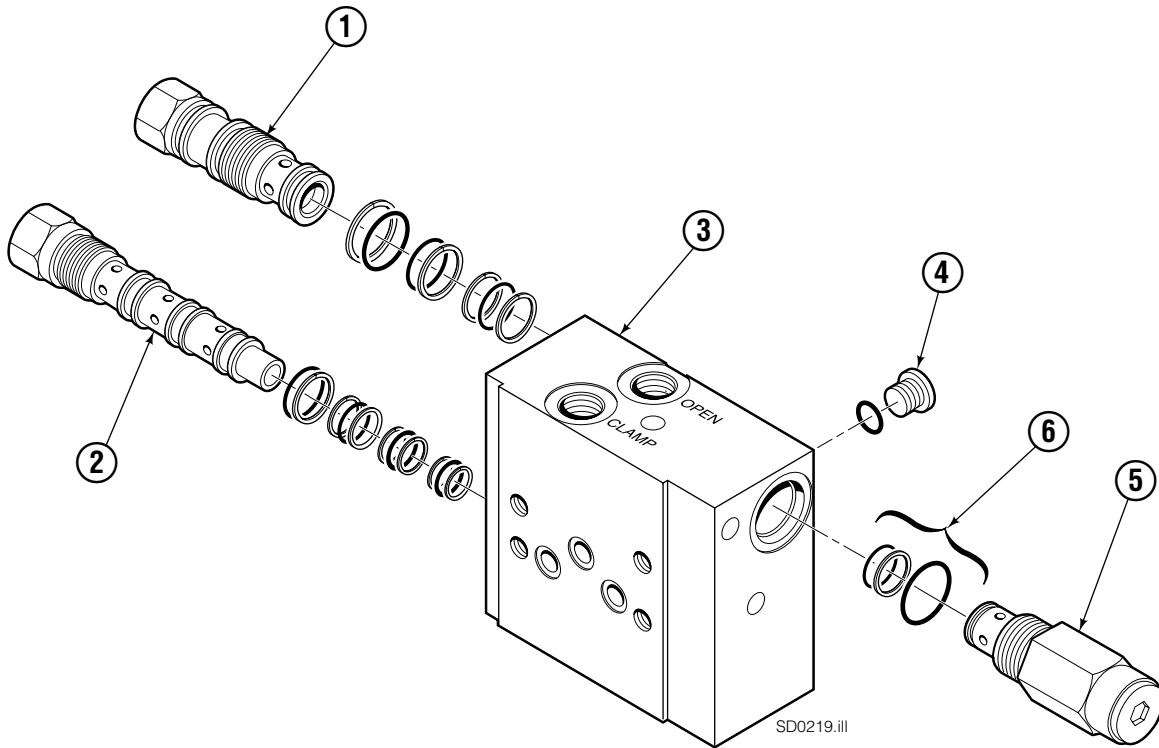


# Base Unit Group

| 70E |     |            |                      |
|-----|-----|------------|----------------------|
| REF | QTY | PART NO.   | DESCRIPTION          |
|     |     | 6010192    | Base Unit Group      |
| 1   | 1   | 6009165    | Baseplate            |
| 2   | 2   | 6009997    | Frame Cylinder ★     |
| 3   | 1   | 4776-778   | Bearing Segment – LH |
| 4   | 2   | 6009202    | T-Bar – Upper        |
| 5   | 1   | 6009866    | Fork Stop            |
| 6   | 1   | 4777-778   | Bearing Segment – RH |
| 7   | 2   | 209844     | Rod End Anchor       |
| 8   | 4   | 768828     | Capscrew, M12 x 45   |
| 9   | 4   | 210141     | Bearing Retainer     |
| 10  | 6   | 787375     | Capscrew, M8 x 20    |
| 11  | 1   | 6009221    | T-Bar – Lower        |
| 12  | 1   | 6005409    | Retainer/Stop – RH   |
| 13  | 1   | 6005408    | Retainer/Stop – LH   |
| 14  | 4   | 10603-1196 | Bearing Segment      |
| 15  | 33  | 219529     | Capscrew, M16 x 40   |
| 16  | 1   | 6009224    | T-Bar – Upper        |
| 17  | 1   | 216835     | Valve Assembly ▲     |
| 18  | 1   | 225408     | Manifold             |
| 19  | 4   | 768208     | Capscrew, M8 x 25    |
| 20  | 2   | 768800     | Capscrew, M8 x 60    |
| 21  | 1   | 796247     | Sideshift Cylinder ● |
| 22  | 2   | 672018     | Upper Bearing        |
| 23  | 2   | 208350     | Lower Bearing        |
| 24  | 2   | 212709     | Spacer Block         |
| 25  | 8   | 767615     | Capscrew, M10 x 25   |
| 26  | 2   | 209843     | Rod End              |
| 27  | 2   | 684649     | Capscrew, M10 x 25   |
| 28  | 2   | 6009225    | T-Bar – Lower        |
| 29  | 2   | 223937     | Bearing Retainer     |
| 30  | 2   | 223938     | Bearing Retainer     |
| 31  | 1   | 225441     | Bracket – RH         |
| 32  | 1   | 225440     | Bracket – LH         |
| 33  | 2   | 787398     | Washer, M8           |
| 34  | 3   | 214053     | O-Ring               |
| 35  | 4   | 10603-1188 | Bearing Segment      |
| 36  | 2   | 768802     | Capscrew, M8 x 70    |
| 37  | 2   | 604511     | Fitting, 6-6 ◆       |
| 38  | 2   | 601676     | Fitting, 6-6 ◆       |
| 39  | 4   | 209850     | Retainer Half Ring   |
| 40  | 19  | 211128     | Capscrew, M16 x 30   |
| 41  | 4   | 564448     | O-Ring               |
| 42  | 2   | 215226     | Hanger               |

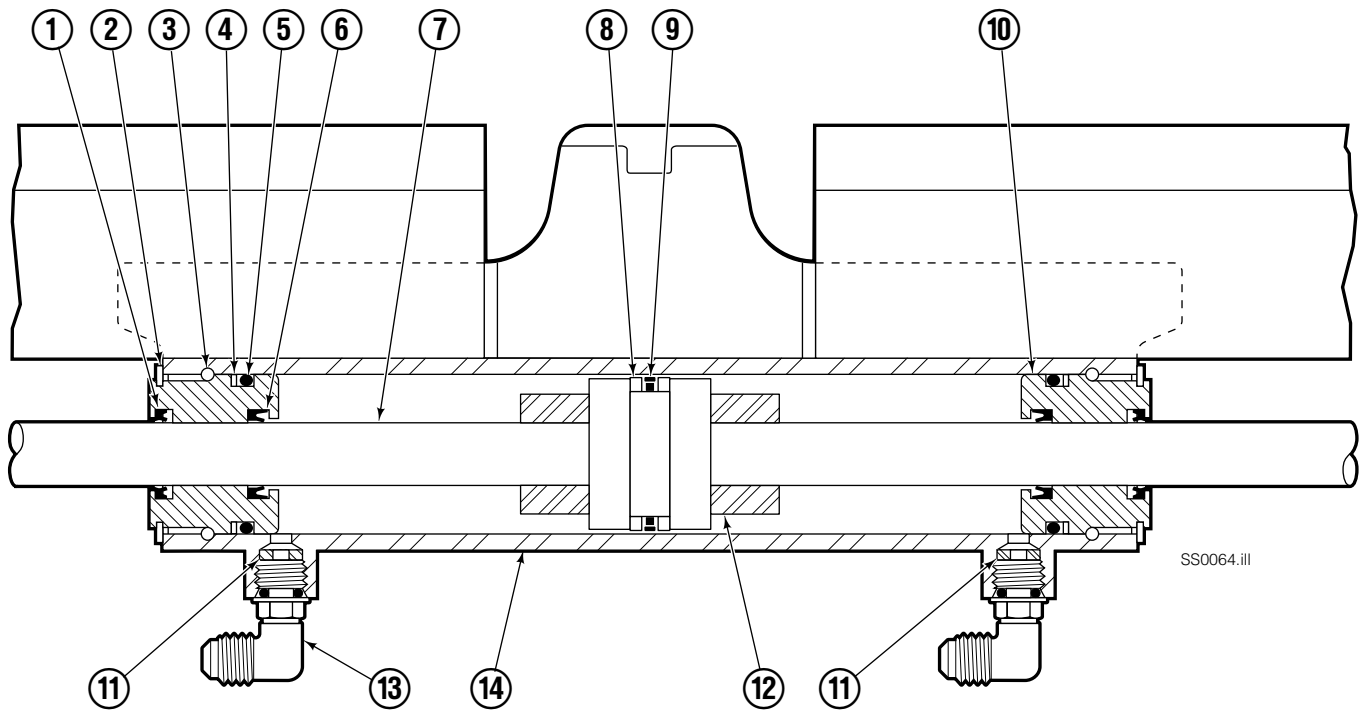
- ★ See Frame Cylinder page for parts breakdown.
- ▲ See Valve Assembly page for parts breakdown.
- See Sideshift Cylinder page for parts breakdown.
- ◆ Included in Fitting Group 213099.

# Valve ITA Class II

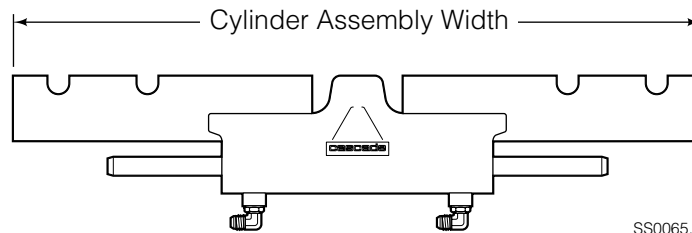


| 70E |     |          |                        |
|-----|-----|----------|------------------------|
| REF | QTY | PART NO. | DESCRIPTION            |
|     |     | 216835   | Valve Assembly         |
| 1   | 1   | 219039   | Check Valve            |
| 2   | 1   | 219040   | Flow Divider/Combiner  |
| 3   | 1   | 216836   | Valve Body             |
| 4   | 1   | 609234   | Plug                   |
| 5   | 1   | 213535   | Crossover Relief Valve |
| 6   | 1   | 682170   | Service Kit            |

# Cylinder



SS0064.ill



SS0065.ill

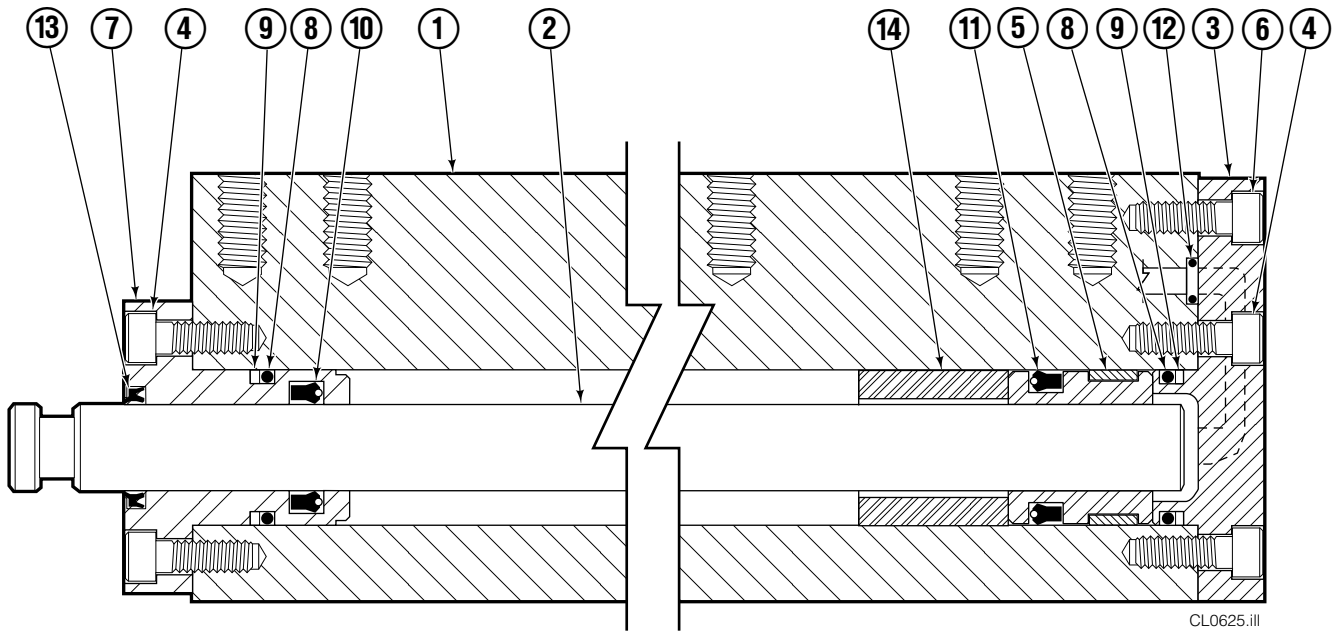
## 70E

| REF | QTY | PART NO. | DESCRIPTION                         | REF | QTY | PART NO. | DESCRIPTION          |
|-----|-----|----------|-------------------------------------|-----|-----|----------|----------------------|
|     |     | 796247   | Cylinder Assembly, 40 in. (1020 mm) | 8   | 2   | 564404   | ● Bearing Ring       |
| 1   | 2   | 564408   | ● Wiper Seal                        | 9   | 1   | 564407   | ● Piston Seal        |
| 2   | 2   | 3154     | Snap Ring                           | 10  | 2   | 564402   | Retainer             |
| 3   | 2   | 564403   | Retaining Ring                      | 11  | 1   | 205369   | Speed Control Washer |
| 4   | 2   | 615131   | ● Back-Up Ring                      | 12  | 2   | —        | Spacer               |
| 5   | 2   | 2789     | ● O-Ring                            | 13  | 2   | 601676   | Fitting, JIC 6-6     |
| 6   | 2   | 564406   | ● Rod Seal                          | 14  | —   | ■        | Cylinder Shell       |
| 7   | 1   | 564401   | Rod                                 |     |     | 564409   | Service Kit          |

● Included in Service Kit 564409.

■ Not serviceable, order new cylinder assembly.

# Cylinder

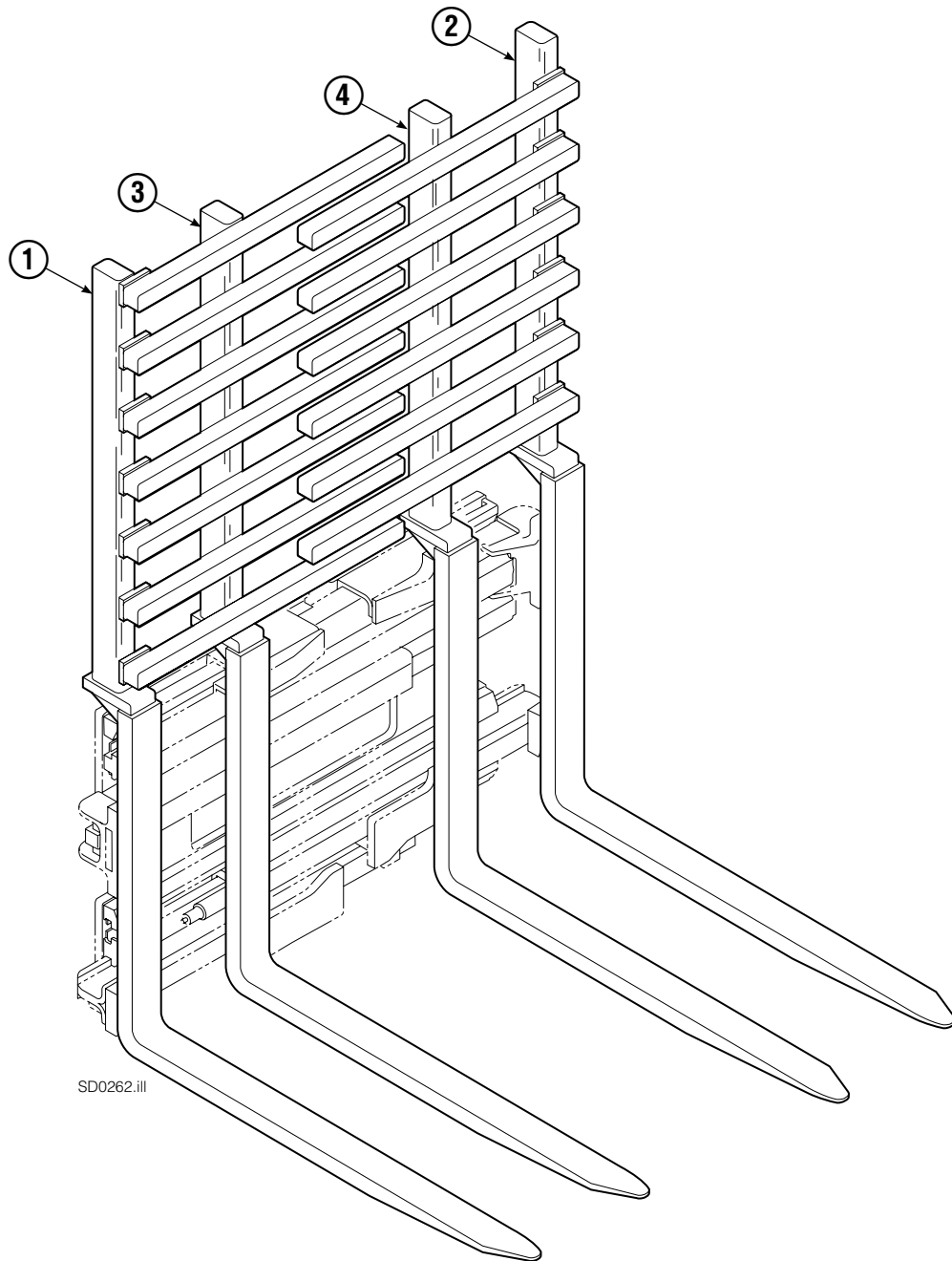


| 70E |     |           |                   |     |     |           |                |
|-----|-----|-----------|-------------------|-----|-----|-----------|----------------|
| REF | QTY | PART NO.  | DESCRIPTION       | REF | QTY | PART NO.  | DESCRIPTION    |
|     |     | 6009997   | Cylinder Assembly | 8   | 3   | 210088    | O-Ring ▲       |
| 1   | 1   | 6009178   | Cylinder/Shell    | 9   | 2   | 564601    | Back-Up Ring ▲ |
| 2   | 1   | 4126-0894 | Rod               | 10  | 1   | 212478    | Seal ▲         |
| 3   | 1   | 209744    | Cap               | 11  | 1   | 564349    | Seal ▲         |
| 4   | 8   | 768208    | Capscrew, M8 x 25 | 12  | 2   | 564448    | O-Ring ▲       |
| 5   | 1   | 209748    | Bearing ▲         | 13  | 1   | 564408    | Wiper ▲        |
| 6   | 1   | 787375    | Capscrew, M8 x 20 | 14  | 1   | 4273-0041 | Spacer         |
| 7   | 1   | 212449    | Retainer          |     |     | 209771    | Service Kit    |

▲ Included in Service Kit 209771.

Reference: S-4117, S-4118.

# Interlocking Backrest/Fork Group

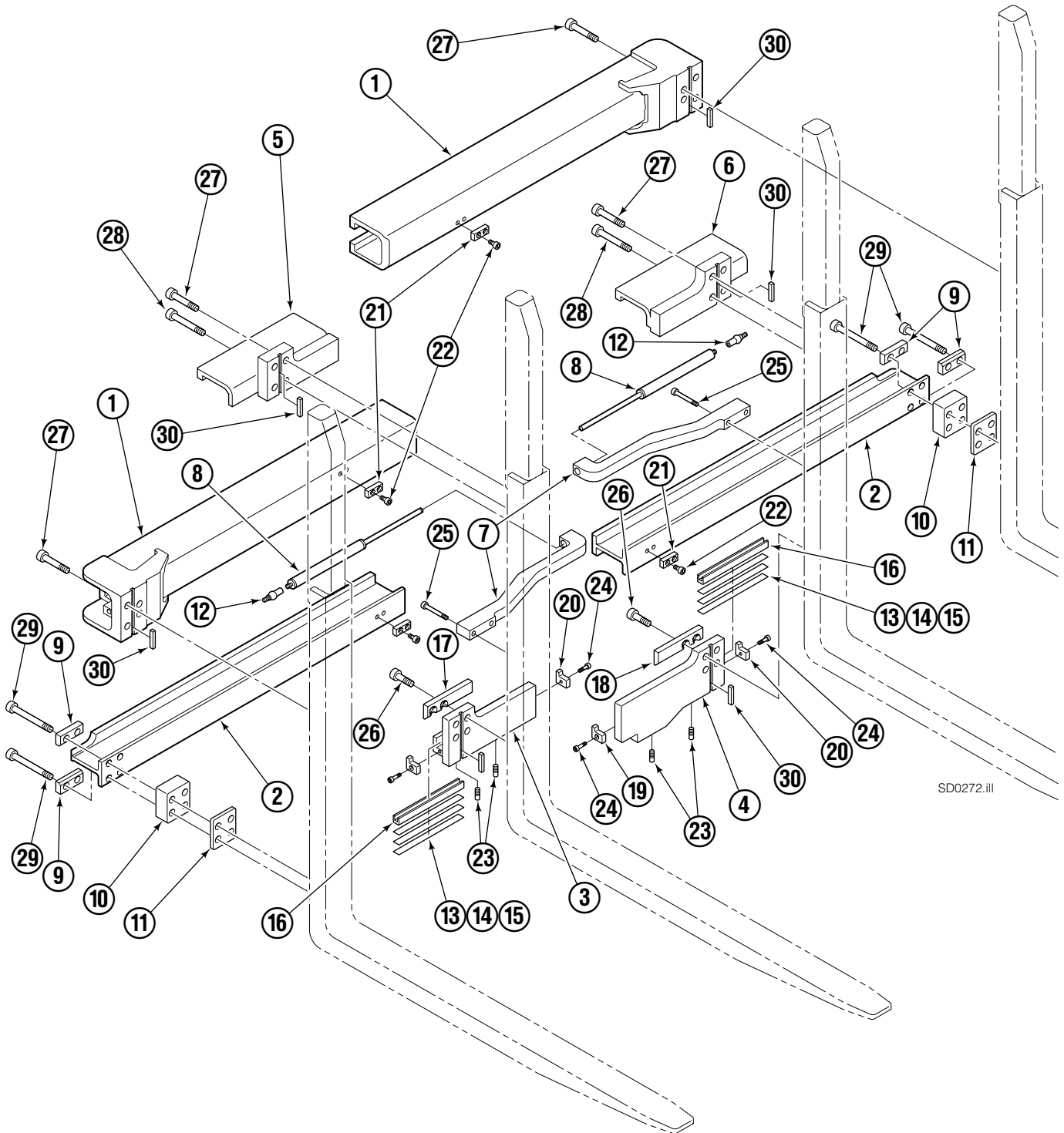


SD0262.iii

| REF | QTY | PART NO. | DESCRIPTION     |
|-----|-----|----------|-----------------|
|     |     | 6107383  | Fork Group      |
| 1   | 1   | 6107385  | Outer Fork - RH |
| 2   | 1   | 6107384  | Outer Fork - LH |
| 3   | 1   | 6107387  | Inner Fork - RH |
| 4   | 1   | 6107386  | Inner Fork - LH |

Reference: S-28124, S-28129, S-28120, S-28121, S-28125,  
S-28126.

# Arm Group



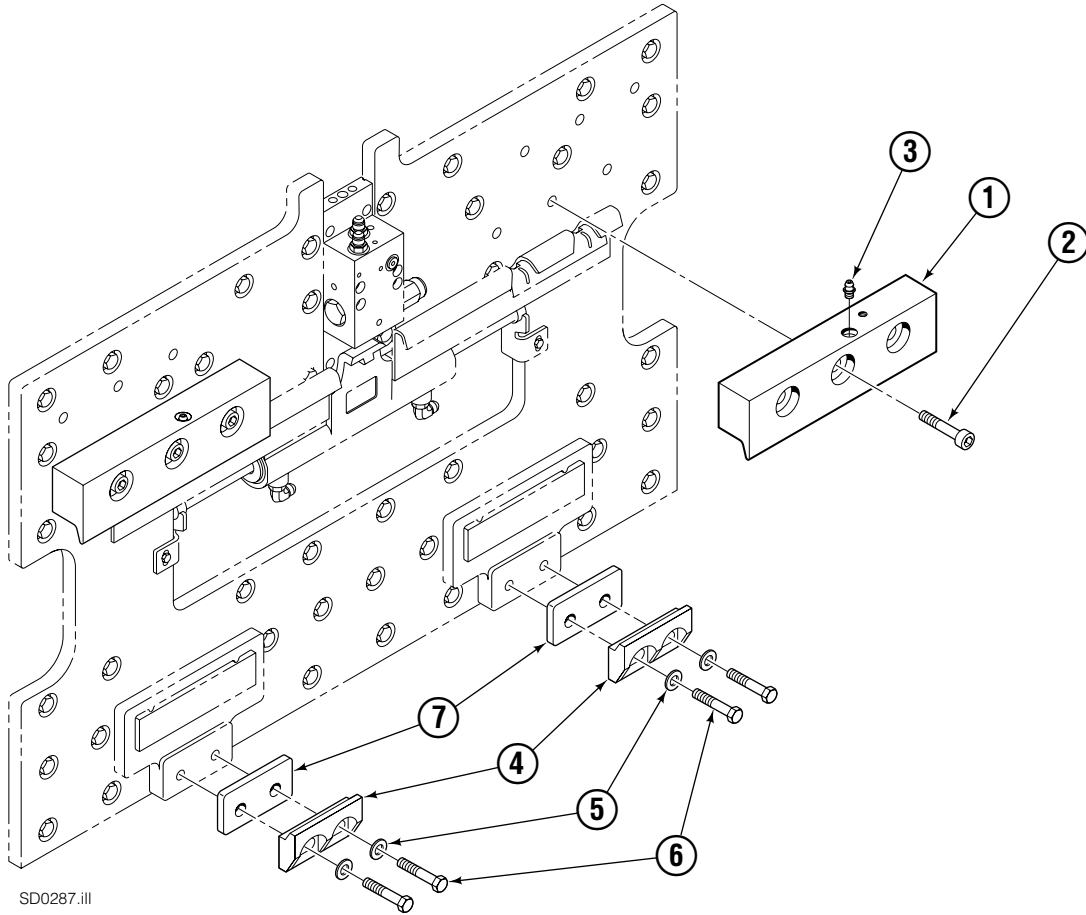
SD0272.iii

# Arm Group

| 70E |     |           |                    |
|-----|-----|-----------|--------------------|
| REF | QTY | PART NO.  | DESCRIPTION        |
|     |     | 6007722   | Arm Group          |
| 1   | 2   | 6009241   | Arm Bar – Upper    |
| 2   | 2   | 6009296   | Arm Bar – Lower    |
| 3   | 1   | 6009304   | Lower Hook – RH    |
| 4   | 1   | 6009929   | Lower Hook – LH    |
| 5   | 1   | 6009286   | Upper Hook – RH    |
| 6   | 1   | 6009936   | Upper Hook – LH    |
| 7   | 2   | 6006068   | Bracket            |
| 8   | 2   | 224175    | Gas Cylinder       |
| 9   | 4   | 226948    | Reinforcing Plate  |
| 10  | 2   | 226949    | Spacer             |
| 11  | 4   | 228394    | Spacer             |
| 12  | 2   | 224189    | Ball Joint         |
| 13  | 2   | 228395    | Shim, 2 mm.        |
| 14  | 4   | 212559    | Shim, 1 mm.        |
| 15  | 4   | 213913    | Shim, .05 mm.      |
| 16  | 2   | 4501-0222 | Bearing Segment    |
| 17  | 1   | 212682    | Bearing – RH       |
| 18  | 1   | 213899    | Bearing – LH       |
| 19  | 2   | 212979    | Bearing Retainer   |
| 20  | 2   | 213360    | Bearing Retainer   |
| 21  | 4   | 212687    | Fork Stop          |
| 22  | 8   | 214414    | Capscrew, M10 x 12 |
| 23  | 4   | 768755    | Setscrew, M12 x 16 |
| 24  | 4   | 787375    | Capscrew, M8 x 20  |
| 25  | 4   | 768813    | Capscrew, M10 x 55 |
| 26  | 8   | 769574    | Capscrew, M16 x 35 |
| 27  | 12  | 769577    | Capscrew, M16 x 50 |
| 28  | 4   | 769578    | Capscrew, M16 x 60 |
| 29  | 8   | 228400    | Capscrew, M16 x 80 |
| 30  | 6   | 213364    | Key                |

Reference: Common Parts Group 228397.

# Mounting Group ITA Class III



| 70E |     |                     |                    |
|-----|-----|---------------------|--------------------|
| REF | QTY | ITA III<br>PART NO. | DESCRIPTION        |
|     |     | 6103288             | Upper Hook Group ▲ |
|     |     | 6104909             | Lower Hook Group ★ |
| 1   | 2   | 218206              | Upper Hook         |
| 2   | 6   | 229187              | Capscrew, M16 x 70 |
| 3   | 2   | 7403                | Grease Fitting     |
| 4   | 2   | 675969              | Lower Hook         |
| 5   | 4   | 667225              | Washer             |
| 6   | 4   | 751511              | Capscrew, M16 x 55 |
| 7   | 2   | 6104878             | Spacer             |

▲ Includes items 1 and 2.

★ Includes items 4-7.

**Do you have questions you need answered right now?** Call your nearest Cascade Parts Department.

**Cascade Corporation**

2501 Sheridan Avenue  
Springfield, OH 45505  
Tel: 888-CASCADE (227-2233)  
FAX: 888-329-0234  
www.cascorp.com

**Cascade Canada Inc.**

5570 Timberlea Blvd.  
Mississauga, Ontario  
Canada L4W-4M6  
Tel: 905-629-7777  
FAX: 905-629-7785

**Cascade GmbH**

D-41199 Monchengladbach  
Klosterhofweg 52  
Germany  
Tel: 49-216-668230  
FAX: 49-216-6682323

**Cascade Finland**

Albert Petreliuksenkatu 3  
01370 Vantaa  
Finland  
Tel: 358-9-836-1925  
FAX: 358-9-836-1935

**Cascade N.V.  
European Headquarters**

P.O. Box 3009  
1300 El Almere  
Damluisweg 56  
1332 ED Almere  
The Netherlands  
Tel: 31-36-5492911  
FAX: 31-36-5492964

**Cascade N.V.  
Benelux Sales and Service**

P.O. Box 3009  
1300 El Almere  
Damluisweg 56  
1332 ED Almere  
The Netherlands  
Tel: 31-36-5492950  
FAX: 31-36-5492974

**Cascade (UK) Ltd.**

15, Orgreave Crescent  
Dore House Industrial Estate  
Handsworth  
Sheffield S13 9NQ  
England  
Tel: 742-697524  
FAX: 742-695121

**Cascade Scandinavia AB**

Box 124  
Hammarvägen 10  
567 23 Vaggeryd  
Sweden  
Tel: 42-0-393-36950  
FAX: 46-0-393-36959

**Cascade Norway**

Østerliveien 37A  
1153 Oslo  
Norway  
Tel: 47-22-743160  
FAX: 47-22-743157

**Cascade France S.A.R.L.**

1D Rue De Charaintru  
BP 18, 91360 Epinay-Sur-Orge  
Morangis Cedex, France  
Tel: 33-1- 64547500  
FAX: 33-1-64547501

**Cascade Hispania S.A.**

Carrer 5 Sector C  
Zona Franca Duanera  
Poligono de la Zon Franca  
08040 Barcelona, Spain  
Office No. 256  
Tel: 93-264-07-30  
FAX: 93-264-07-31

**Cascade Japan Ltd.**

5-5-41,  
Torikai Kami  
Settsu, Osaka  
Japan, 566  
Tel: 81-726-53-3490  
FAX: 81-726-53-3497

**Cascade Korea**

108B, Namdong Ind Complex  
658-3 Gojan-Dong  
Namdong-Gu  
Inchon, 405-310 Korea  
Tel: 82-32-821-2051  
FAX: 82-32-821-2055

**Cascade Australia**

1445 Ipswich Road  
Rocklea, QLD 4106  
Australia  
Tel: 1-800227-223  
FAX: (07) 3373-7333

**Cascade New Zealand**

15 Ra Ora Drive  
East Tamaki, Auckland  
New Zealand  
Tel: 9-273-9136  
FAX: 9-273-9137

**Cascade (Africa) Pty. Ltd.**

P.O. Box 625, Isando 1600  
60A Steel Road  
Sparton, Kempton Park  
South Africa  
Tel: 27-11-975-9240  
FAX: 27-11-394-1147

**Cascade-Xiamen**

No. 668 Yangguant Rd.  
Xinyang Industry Zone  
Haicant, Xiamen City  
Fujian Province  
P.R. China 361026  
Tel: 86-592-651-2500  
FAX: 86-592-651-2571

**Cascade (Singapore)  
Trading Co.**

Four Seasons Park  
Autumn Block - Apt. 1802  
12 Cuscaden Walk  
Singapore  
Tel: 65-834-1935  
FAX: 65-834-1936

