



Parts Manual

Model Single-Double Pallet Handler

Serial Number 48F-FDS-B221 R0

cascade[®]
corporation

For Technical Assistance call: 800-227-2233, Fax: 888-329-8207

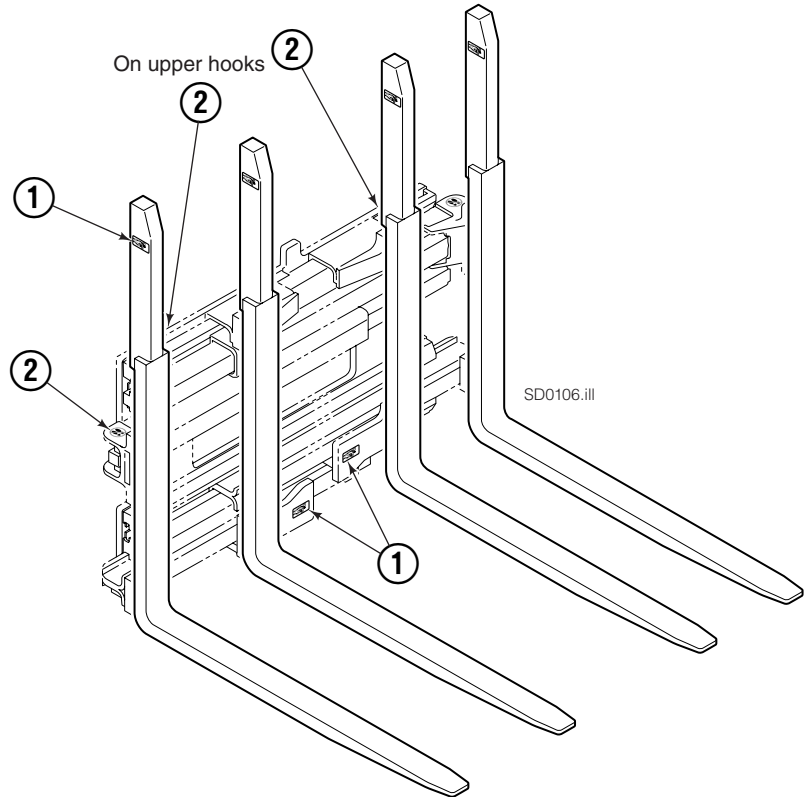
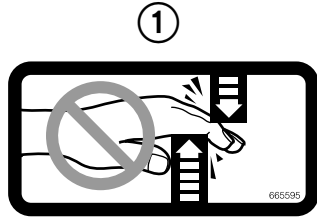
To Order Parts call: 888-227-2233, Fax: 888-329-0234

OR

Write: Cascade Corporation, P.O. Box 20187, Portland, OR 97220

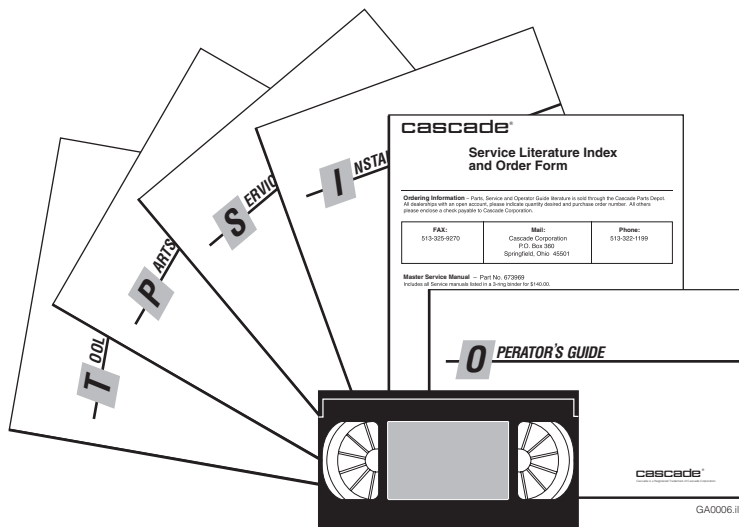
Internet: www.cascorp.com

Safety Decals



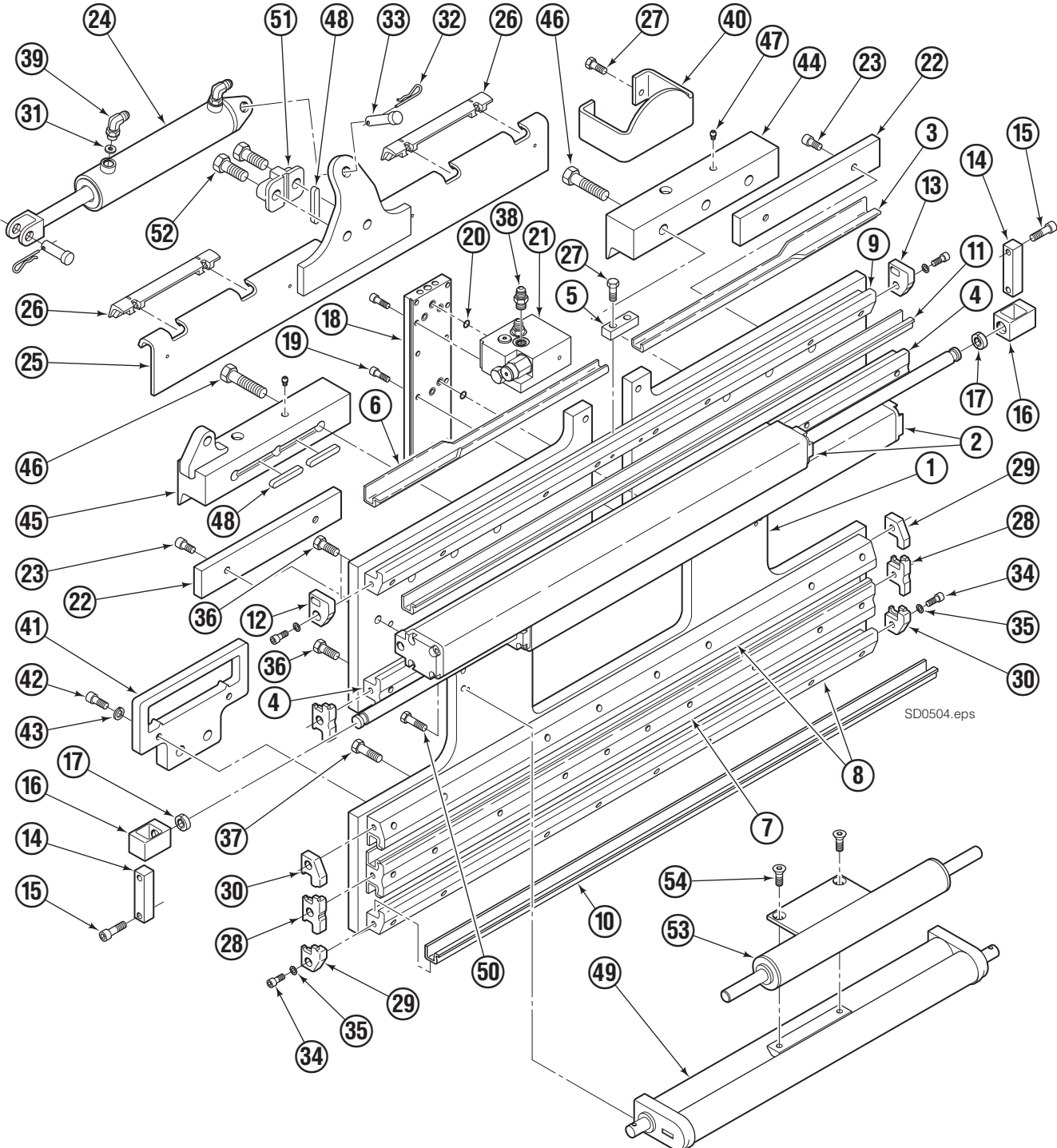
55E			
REF	QTY	PART NO.	DESCRIPTION
1	6	665595	No Hand Hold Decal
2	4	679150	No Step Decal

Publications



55E	
215793	Service Manual
213580	Operator's Guide
213372	Installation Instructions
679929	Tool Catalog
673964	Literature Index Order Form

Base Unit Group



SD0504.eps

Base Unit Group

55F			
REF	QTY	PART NO.	DESCRIPTION
		6128688	Base Unit Group
1	1	6128819	Baseplate
2	2	214622	Frame Cylinder ★
3	1	6131023	Bearing Segment – LH
4	2	6116811	T-Bar – Upper (S-28323)
5	1	6108551	Fork Stop
6	1	6131022	Bearing Segment – RH
7	1	6116813	T-Bar – Lower (S-28324)
8	2	6116815	T-Bar – Lower (S-28325)
9	1	6116808	T-Bar – Upper (S-28322)
10	4	4730-1040	Bearing Segment
11	4	4730-1050	Bearing Segment

★ See Frame Cylinder page for parts breakdown.

REF	QTY	PART NO.	DESCRIPTION	REF	QTY	PART NO.	DESCRIPTION
		6128565	Common Parts Group	33	2	206926	Clevis Pin
12	1	211380	Retainer/Stop – RH	34	10	787375	Capscrew, M8 x 20
13	1	211379	Retainer/Stop – LH	35	10	6125098	Washer, M8
14	2	210489	Rod End Anchor ■	36	26	211689	Capscrew, M12 x 30
15	4	768303	Capscrew, M10 x 35 ■	37	24	214487	Capscrew, M12 x 40
16	2	209741	Rod End ■	38	2	604511	Fitting, 6-6 ◆
17	4	210490	Retainer Half Ring ■	39	2	601676	Fitting, 6-6 ◆
18	1	211456	Manifold	40	1	6128392	Valve Guard
19	10	768208	Capscrew, M8 x 25	41	2	215226	Hanger
20	7	214053	O-Ring	42	4	767615	Capscrew, M10 x 25
21	1	6115159	Valve Assembly ●	43	4	787383	Lockwasher, M10
22	2	6125824	Strap	44	1	6125817	Upper Mounting Hook – LH
23	4	767614	Capscrew, M10 x 20	45	1	6125818	Upper Mounting Hook – RH
24	1	675548	Sideshift Cylinder ▲	46	6	751525	Capscrew, M16 x 65
25	1	6128972	Anchor Bracket	47	2	7403	Grease Fitting
26	2	6127049	Upper Bearing	48	3	209542	Key
27	4	684649	Capscrew, M10 x 25	49	1	6129916	Spring Can Assembly
28	4	210140	Bearing Retainer	50	4	200788	Capscrew, M10 x 35
29	2	212585	Bearing Retainer	51	1	6127274	Key ★
30	2	212586	Bearing Retainer	52	2	219529	Capscrew, M16 x 40 ★
31	1	675550	Restrictor Washer	53	1	6130740	Inner Fork Control Weldment □
32	2	672726	Cotter Pin	54	2	768697	Capscrew, M10 x 25 □

● See Valve Assembly page for parts breakdown.

▲ See Sideshift Cylinder page for parts breakdown.

■ Included in Cylinder Rod Anchor Kit 213856.

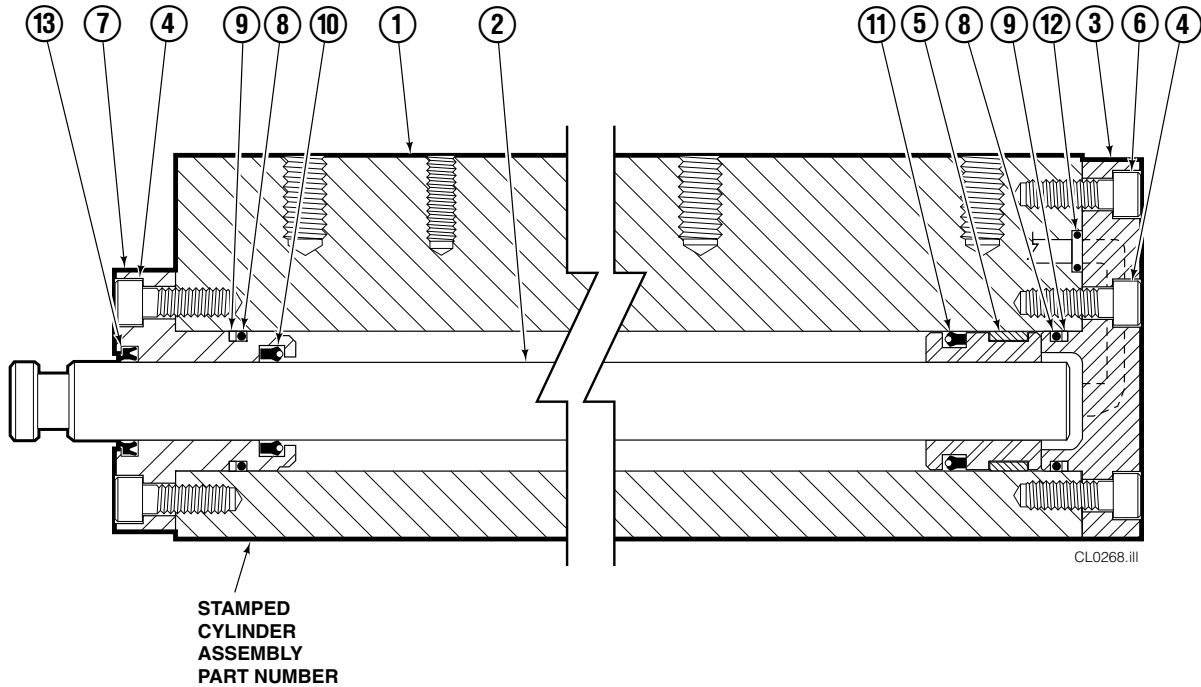
Reference: SK-12187, S-12203.

◆ Included in Fitting Group 213099.

★ Included with Anchor Bracket 6128972.

□ Included in Inner Fork Control Group 6129994.

Frame Cylinder

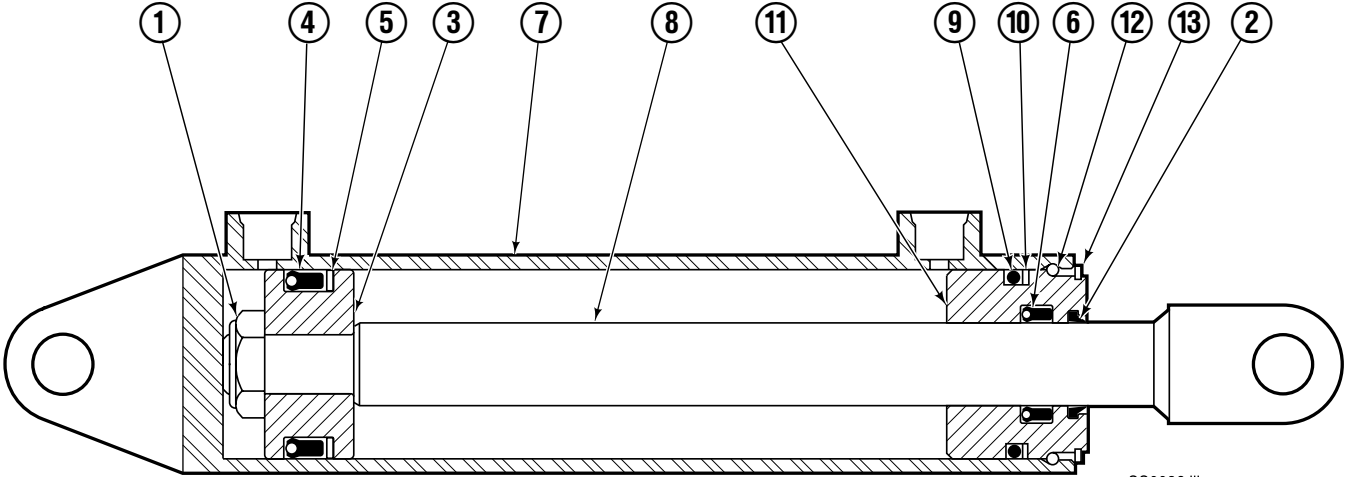


55E			
REF	QTY	PART NO.	DESCRIPTION
		214622	Cylinder Assembly
1	1	214623	Cylinder/Shell
2	1	4157-825	Rod
3	1	213783	End Cap
4	8	768208	Capscrew, M8 x 25
5	1	209809	▲ Bearing
6	1	787375	Capscrew, M8 x 20
7	1	212452	Retainer
8	3	643379	▲ O-Ring
9	2	210050	▲ Back-Up Ring
10	1	212477	▲ Seal
11	1	209808	▲ Seal
12	2	214053	▲ O-Ring
13	1	562131	▲ Wiper
		210090	Service Kit

▲ Included in Service Kit 210090.

Reference: S-4643, S-4644.

Sideshift Cylinder

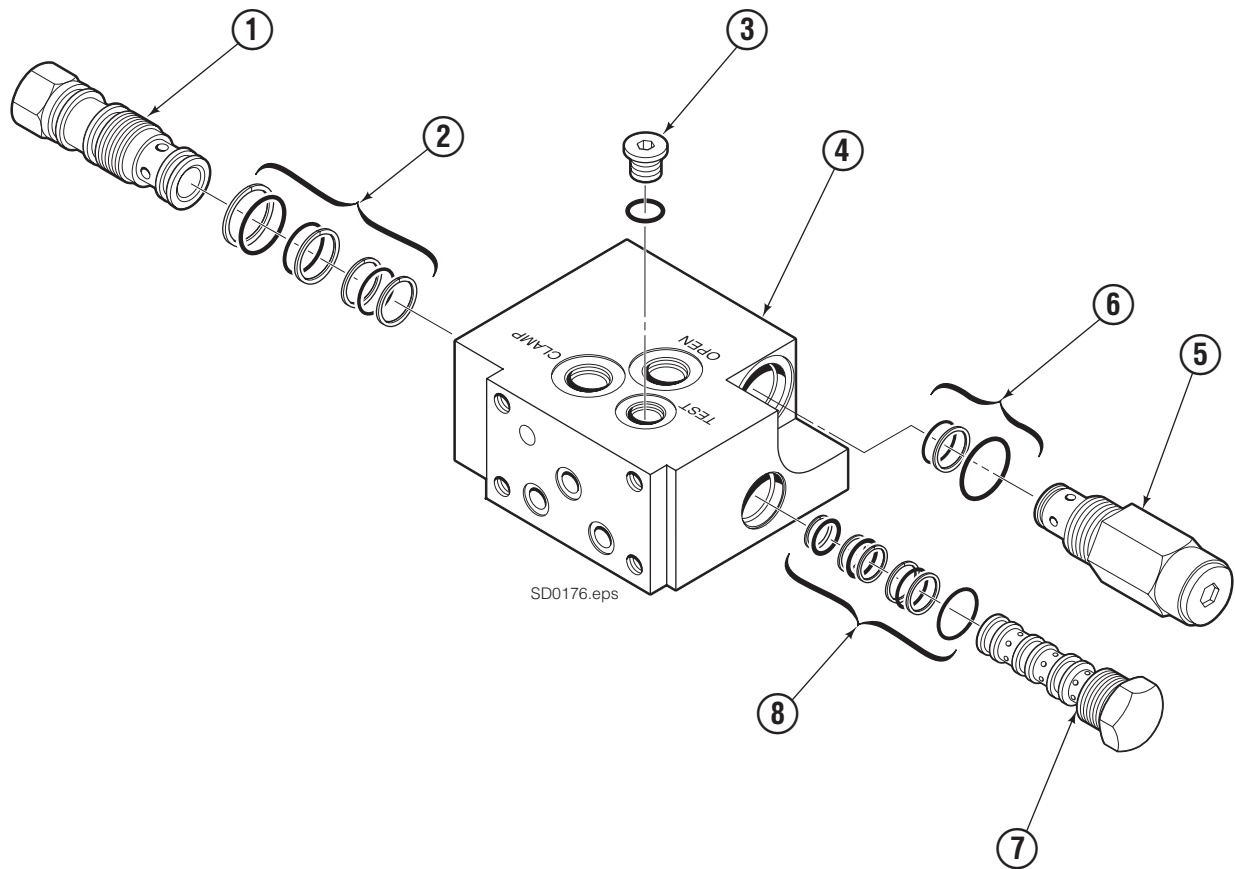


SS0086.ill

55F			
REF	QTY	PART NO.	DESCRIPTION
		675548	Cylinder Assembly
1	1	553857	Nut
2	1	636851	■ Wiper
3	1	553501	Piston
4	1	662452	■ Seal
5	1	638247	■ Back-up Ring
6	1	641835	■ Seal
7	1	675549	Shell
8	1	553499	Rod
9	1	2785	■ O-Ring
10	1	615128	■ Back-up Ring
11	1	553500	Retainer
12	1	553856	Retaining Ring
13	1	7202	Snap Ring
		553861	Service Kit

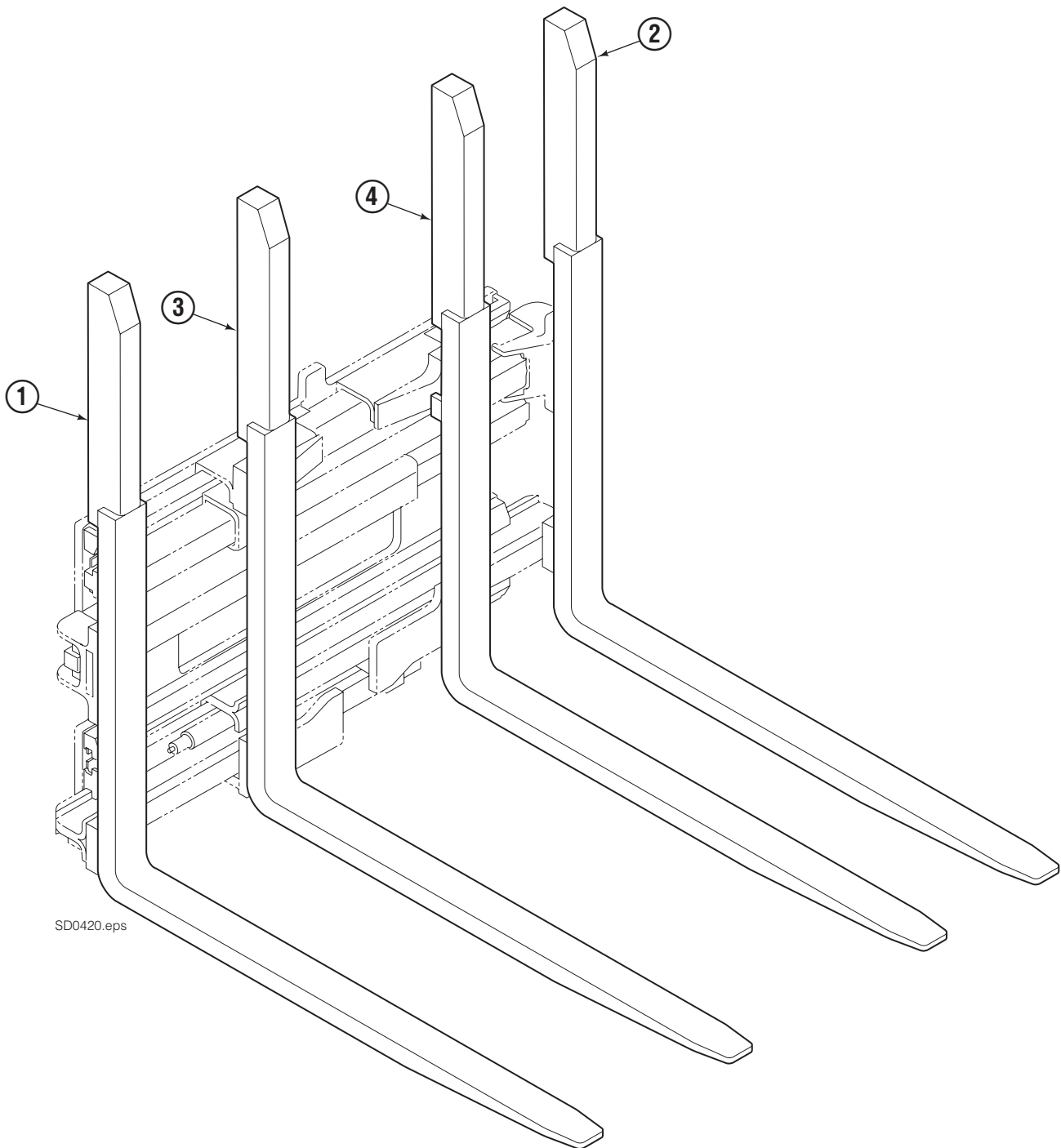
■ Included in Service Kit 553861.

Valve Assembly



REF	QTY	PART NO.	DESCRIPTION
		6115159	Valve Assembly
1	1	6121796	Check Valve
2	1	6137234	Service Kit
3	1	609234	Plug
4	1	6121775	Valve Body
5	1	6109571	Relief Valve
6	1	220151	Service Kit
7	1	6024293	Flow Divider Valve
8	1	6126153	Service Kit

Tube Backrest/Fork Group

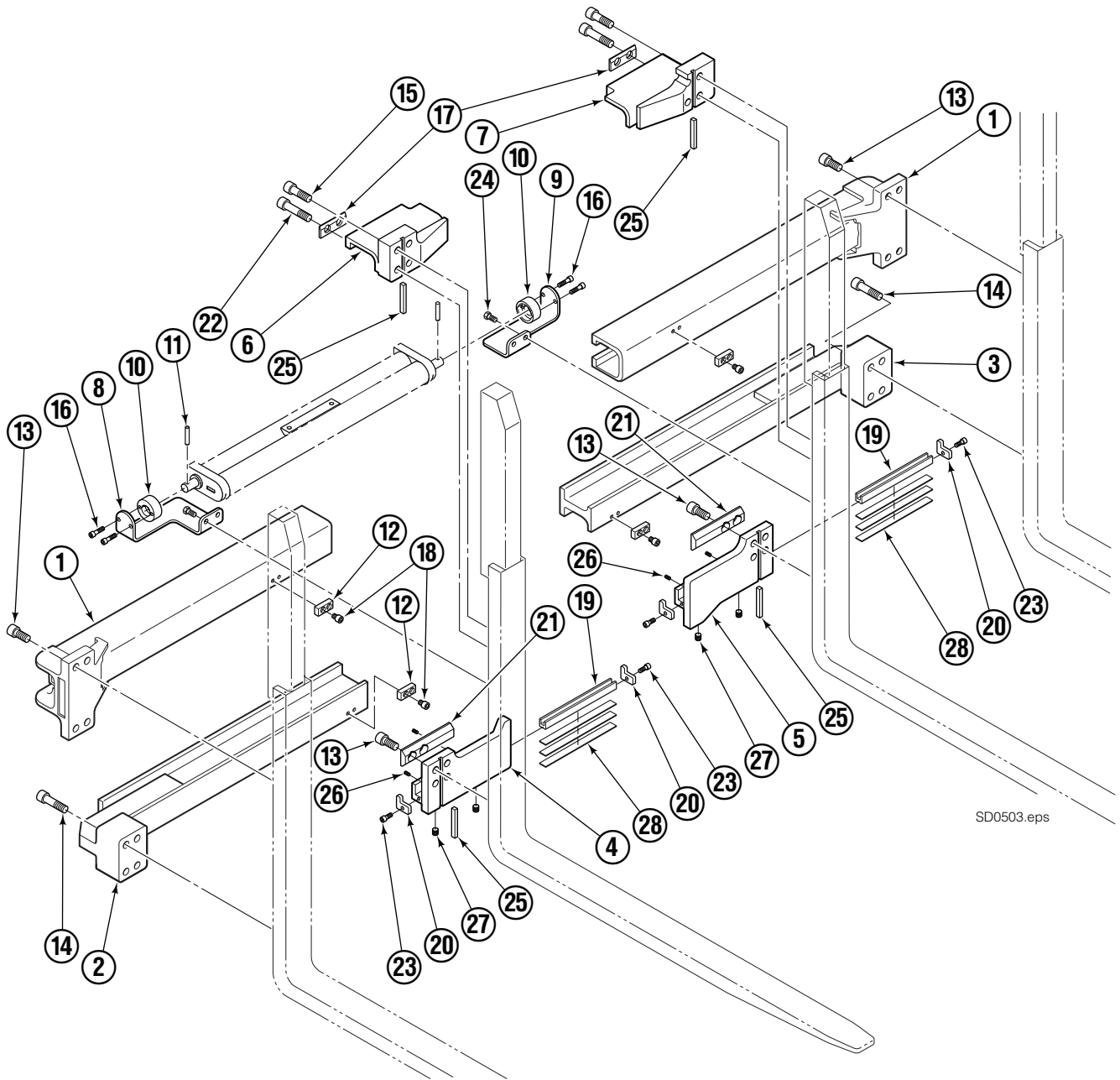


SD0420.eps

48F			
REF	QTY	PART NO.	DESCRIPTION
		6128659	Fork Group
1	1	6114029	Outer Fork - RH
2	1	6114028	Outer Fork - LH
3	1	6128661	Inner Fork - RH
4	1	6128660	Inner Fork - LH

Reference: S-28191, S-28466

Arm Group



SD0503.eps

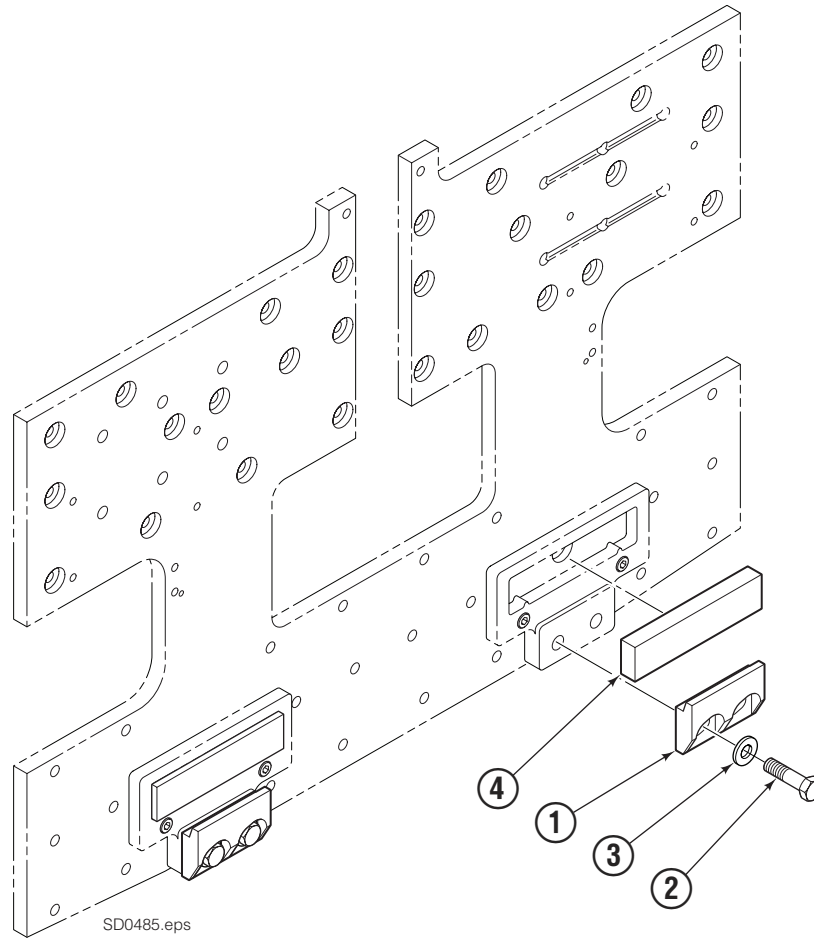
Arm Group

48F			
REF	QTY	PART NO.	DESCRIPTION
		6128685	Arm Group
1	2	6117234	Upper Arm Bar
2	1	6118837	Lower Arm Bar – RH
3	1	6118836	Lower Arm Bar – LH
4	1	6126983	Lower Hook – RH
5	1	6126982	Lower Hook – LH
6	1	6126977	Upper Hook – RH
7	1	6126976	Upper Hook – LH
8	1	6130008	Cylinder Bracket – RH
9	1	6130007	Cylinder Bracket – LH
10	2	6129471	Retainer
11	2	6110442	Pin, M6 x 32
12	4	212687	Fork Stop
13	16	769574	Capscrew, M16 x 35
14	8	769578	Capscrew, M16 x 60
15	4	769577	Capscrew, M16 x 50
16	4	768795	Capscrew, M8 x 30
17	2	6110402	Bearing Plate
18	8	214414	Capscrew, M10 x 12
19	2	4501-0222	Bearing Segment
20	4	6122007	Bearing Retainer
21	2	213899	Bearing
22	4	682073	Capscrew, M16 x 70
23	4	787375	Capscrew, M8 x 20
24	4	684594	Capscrew, M10 x 20
25	4	213364	Key
26	4	6126868	Setscrew, M6 x 12
27	4	781422	Setscrew, M12 x 12
28	◆	228395	Shim

◆ As required.

Reference: Common Parts 6130034, S-28474, S-28477, S-28343, S-28357, S-28358.

Mounting Group



SD0485.eps

Class III

REF	QTY	PART NO.	DESCRIPTION
		6128568	Mounting Group
1	2	675969	Lower Hook
2	4	751511	Capscrew, M16 x 55
3	4	667225	Washer
4	2	6110475	Lower Bearing

Do you have questions you need answered right now? Call your nearest Cascade Parts Department. Visit us online at www.cascorp.com

**Cascade Corporation
U.S. Headquarters**
2201 NE 201st
Fairview, OR 97024-9718
Tel: 800-CASCADE (227-2233)
FAX: 888-329-8207

Cascade Canada Inc.
5570 Timberlea Blvd.
Mississauga, Ontario
Canada L4W-4M6
Tel: 905-629-7777
FAX: 905-629-7785

Cascade GmbH
Niederwippekühl 1
58579 Schalksmühle
Germany
Tel: 02355-50900
FAX: 02355-509020

Cascade Finland
A. Petreliuksenkatu 3
01370 Vantaa
Finland
Tel: 09-8361925
FAX: 09-8361935

**Cascade N.V.
Benelux Sales and Service**
Damsluisweg 56
PO Box 3009
1300 El Almere
The Netherlands
Tel: 036-5492950
FAX: 036-5492974

Cascade (UK) Ltd.
Unit 4, 12 O'Clock Court
Attercliffe Road
Sheffield, S4 7WW
England
Tel: 0870-850-8756
FAX: 0870-850-8757

**Sales Scotland
Macade Systems Ltd.**
18 Melford Road
Righead Ind. Estate
Bellshill ML4 3LR
Scotland
Tel: 01698-845777
FAX: 01698-845888

Cascade (Africa) Pty. Ltd.
PO Box 625, Isando 1600
60A Steel Road
Sparton, Kempton Park
South Africa
Tel: 27-11-975-9240
FAX: 27-11-394-1147

Cascade Scandinavia AB
Hammarvägen 10
PO Box 124
S-56723 Vaggeryd
Sweden
Tel: 039-336950
FAX: 039-336959

**Cascade France
S.A.R.L. MHP**
1D Rue De Charaintru BP 18,
91360 Epinay-Sur-Orge
France
Tel: 01-6454-7500
FAX: 01-6454-7501

Cascade Hispania S.A.
Carrer 5, Sector C
Zona Franca Duanera
Poligono de la Zona Franca
08040 Barcelona, Spain
Tel: 93-264-07-30
FAX: 93-264-07-31

Cascade Italia S.R.L.
Via Dell'Artigianato 1
37050 Vago di Lavagno (VR)
Italy
Tel: 39-045-8989111
FAX: 39-045-8989160

Movimenta Lda.
Parque Industrial
Vale do Alecrim, Lote 108
2950-403 Palmela
Portugal
Tel: 351-212387340
FAX: 351-212387349

**Sales Switzerland
Fahrzeugbedarf**
8810, Horgen
Switzerland
Tel: 01-7279797
FAX: 01-7279798

Sales Poland
Targowa 35/61
03-728 Warszawa
Tel: 022-619 00 49
FAX: 022-619 00 49
Mobile Tel: 0501-27 29 55

Sales Russia
EMCG Material Handling
Equipment
Moscow
Tel: 095-795-2400
FAX: 095-795-2475
Email: emcg@emcg.ru

Cascade Japan Ltd.
5-5-41,
Torikai Kami
Settsu, Osaka
Japan, 566
Tel: 81-726-53-3490
FAX: 81-726-53-3497

Cascade Korea
121B 9L Namdong Ind.
Complex, 691-8 Gojan-Dong
Namdong-Ku
Inchon, 405-310 Korea
Tel: 82-32-821-2051
FAX: 82-32-821-2055

Cascade Australia
1445 Ipswich Road
Rocklea, QLD 4107
Australia
Tel: 1-800-227-223
FAX: 617-3373-7333

Cascade New Zealand
15 Ra Ora Drive
East Tamaki, Auckland
New Zealand
Tel: 64-9-273-9136
FAX: 64-9-273-9137

Cascade-Xiamen
No. 668 Yangguang Rd.
Xinyang Industrial Zone
Haicang, Xiamen City
Fujian Province
P.R. China 361026
Tel: 86-592-651-2500
FAX: 86-592-651-2571

**Sunstream Industries
Pte Ltd.**
No. 3 Tuas Link 1
2263
Singapore
Tel: 65-6863-3488
FAX: 65-6863-1368

**Central LTDA
(Cascade Brazil)**
Av. General Valdomiro
de Lima 43
Jabaquara - Sao Paulo - S.P.
Brasil CEP 04344-070
Tel: 55-11-5013-2800
Fax: 55-11-5013-2809

