



Parts Manual

Model _____ Push/Pull

Serial Number _____ 35E-PS-066

cascade®

For Technical Assistance call: 800-227-2233, Fax: 888-329-8207

To Order Parts call: 888-227-2233, Fax: 888-329-0234

OR

Write: Cascade Corporation, P.O. Box 20187, Portland, OR 97220

Publications



GA0006.eps

PART NO.	DESCRIPTION
	Parts Manual
686455	Service Manual
684945	Operators Guide
685531	Operators Pocket Guide
684944	Installation Instructions
680664	Servicing Cascade Cylinders-VHS
679929	Tool Catalog
673964	Literature Index Order Form

Decals



Optional Faceplate Extension



Part No. 679150
(1 Place & 1 optional)



Part No. 665595
(2 Place & 2 optional)



Part No. 656038
(6 Places)



Part No. 679059
(1 Place if equipped with Quick Change Hooks)



PP0060.iii

Platens



Note: Usable platen lengths are determined by measuring from the faceplate (fully retracted position) to the platen tip or total platen length minus 4 1/2".

REF	QTY	PART NO.	DESCRIPTION
		685693	Platen Group
1	1	685694	Platen L. H.
2	1	685695	Platen R. H.
3	2	622907	Pin
4	2	8007	Rivet
5	2	622908	Spring
6	2	622897	Handle
7	2	■ 688386	Upper Hook Assembly
8	4	685677	Capscrew
9	★	206969	Shim (.030)
10	2	682851	Lower Hook
11	4	667225	Washer
12	4	779009	Capscrew
13	●	688379	Shim (.060)

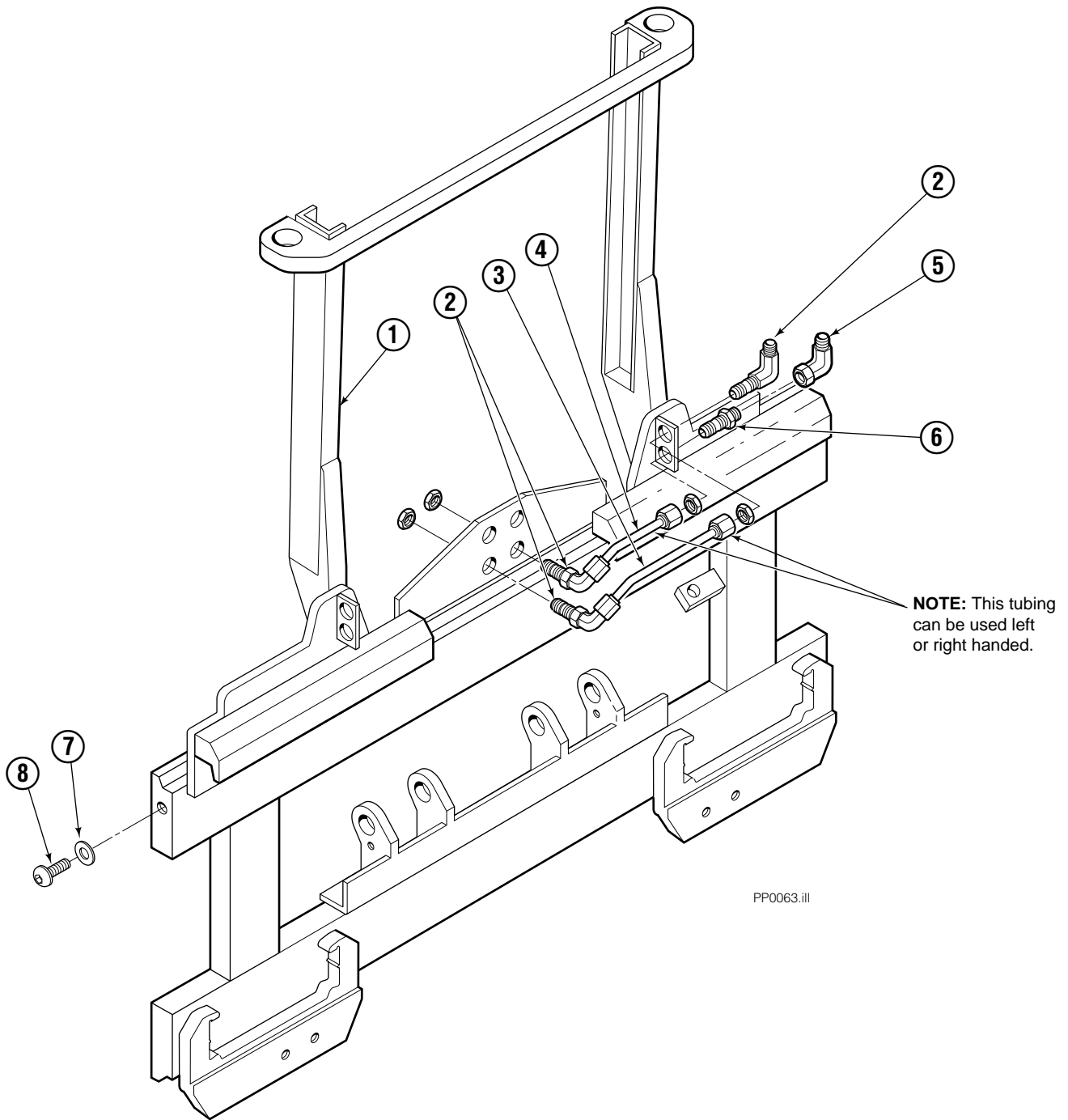
★ As required.

● As required (2 maximum)

■ Items 3 through 6 are included in Upper Hook Assembly 688386.

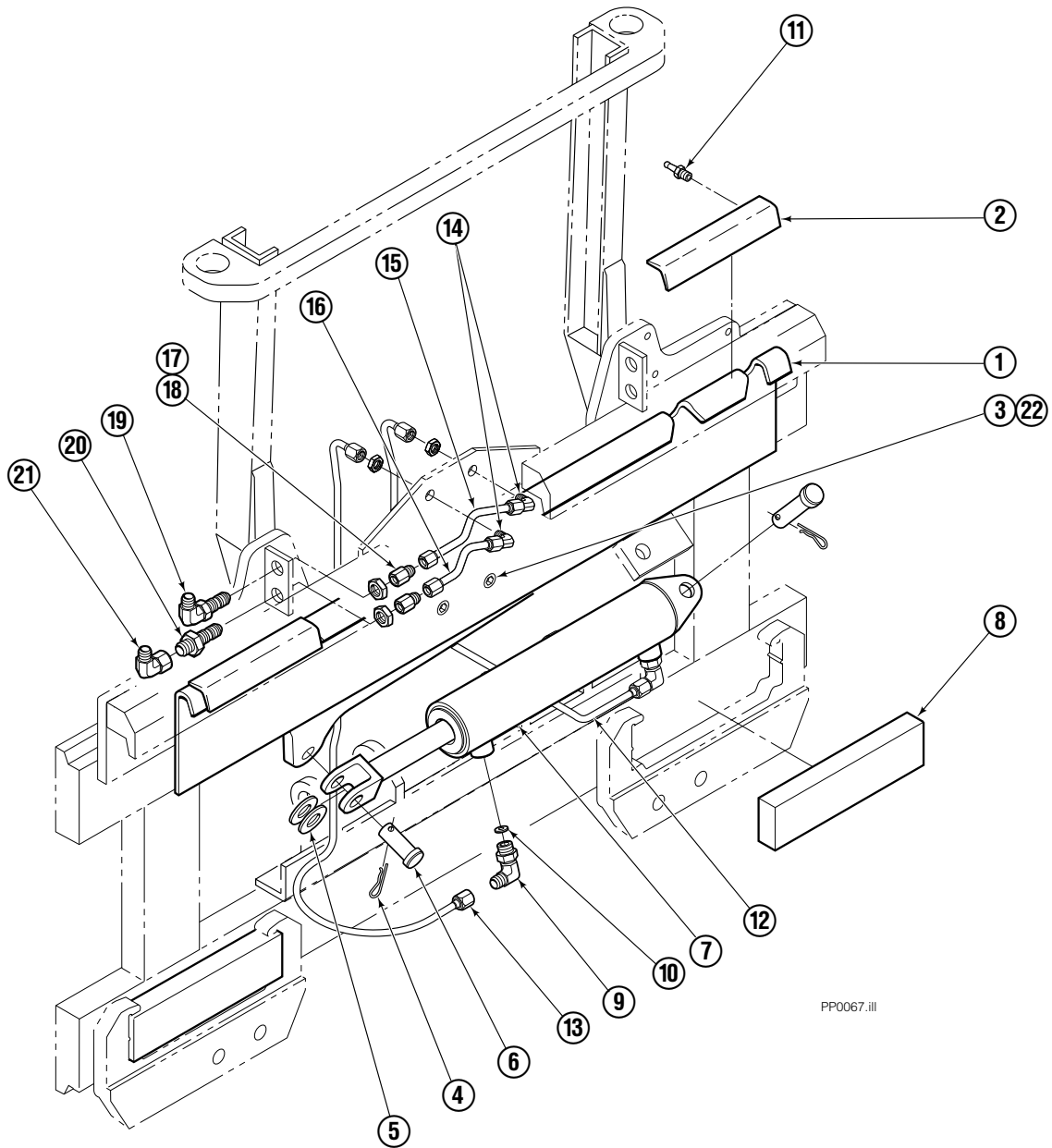
Ref: S-3408

Frame Group ITA II



35E/45E			
REF	QTY	PART NO.	DESCRIPTION
		682828	Frame Group ITA II
1	1	682604	Frame
2	3	2453	Fitting, 6-6
3	1	686509	Tube
4	1	686510	Tube
5	1	2680	Fitting, 6-6
6	1	2375	Fitting, 6-6
7	2	683001	Washer
8	2	683142	Capscrew

S/S Mounting Group ITA II



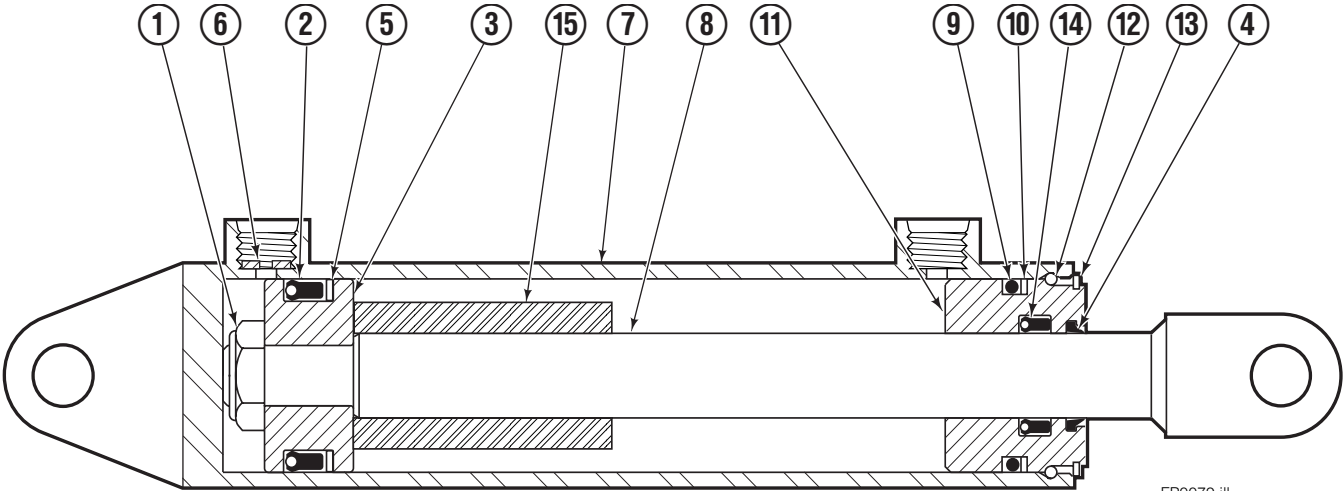
PP0067.iii

35E/45E

REF	QTY	PART NO.	DESCRIPTION	REF	QTY	PART NO.	DESCRIPTION
		682833	Mounting Group	12	1	686511	Tube
1	1	682554	Anchor Bracket	13	1	686512	Tube
2	2	671165	■ Bearing Segment	14	2	2451	Fitting, 4-4
3	2	768759	Setscrew	15	1	686515	Tube
4	2	6517	Cotter Pin	16	1	686516	Tube
5	2	6234	Washer	17	2	2669	Fitting, 4-6
6	2	678525	Clevis Pin	18	2	2617	Fitting, 6-6
7	1	675548	●Cylinder	19	1	2453	Fitting, 6-6
8	2	682814	Bearing	20	1	2375	Fitting, 6-6
9	2	666984	Fitting, 4-6	21	1	2680	Fitting, 6-6
10	2	675550	Washer	22	2	688387	Jam Nut
11	4	7403	■ Grease Fitting				

- Included in Bearing Service Kit 671423.
- See Cylinder page for parts breakdown.

Sideshift Cylinder

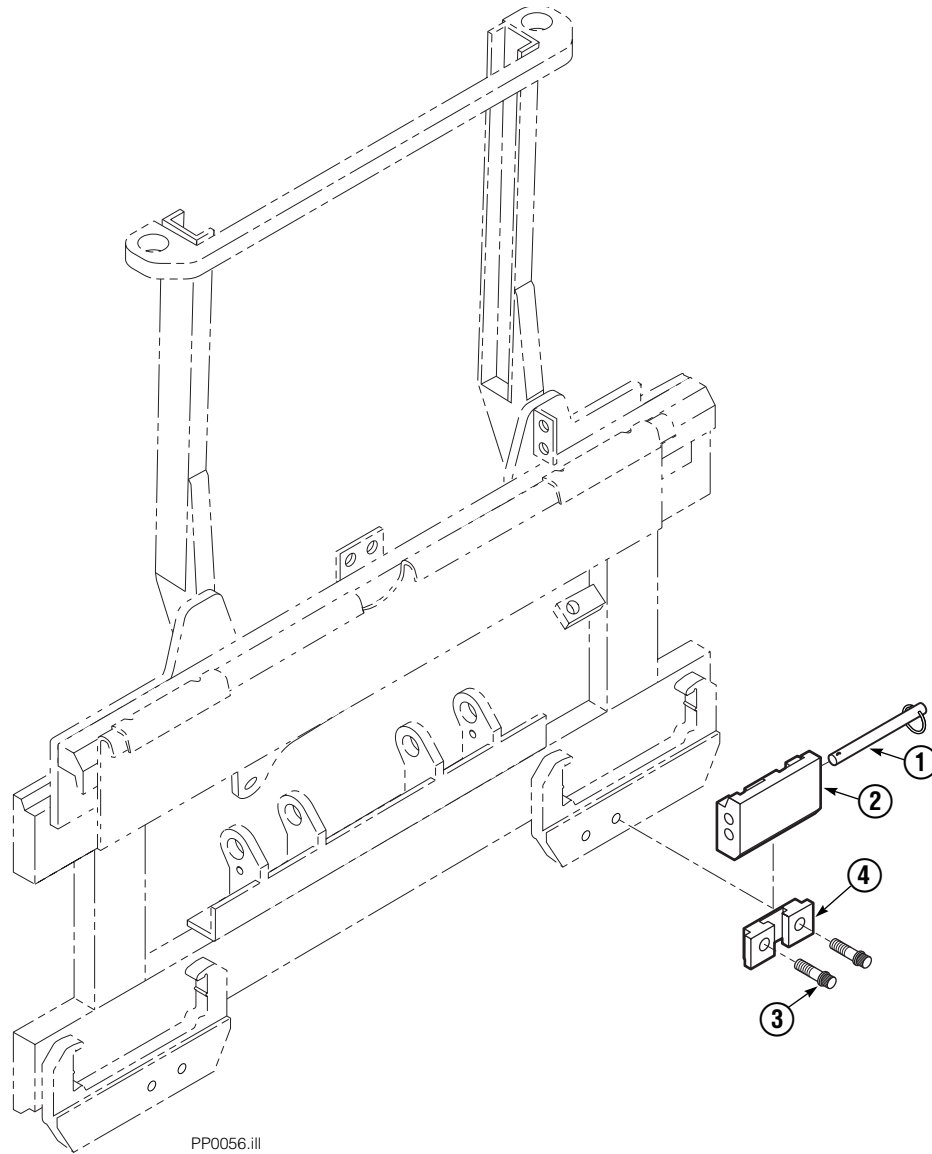


FP0079.iii

REF	QTY	PART NO.	DESCRIPTION
		675548	Cylinder Assembly
1	1	553857	Nut
■ 2	1	662452	Seal
3	1	553501	Piston
■ 4	1	636851	Wiper
■ 5	1	638247	Back-up Ring
6	1	675550	Washer (orifice .085)
7	1	675549	Shell
8	1	553449	Rod
■ 9	1	2785	O-Ring
■ 10	1	615128	Back-up Ring
11	1	553500	Retainer
12	1	553856	Retaining Ring
13	1	7202	Snap Ring
■ 14	1	641835	Seal
15	1	---	Spacer
		553861	Service Kit

■ Included in Service Kit 553861.

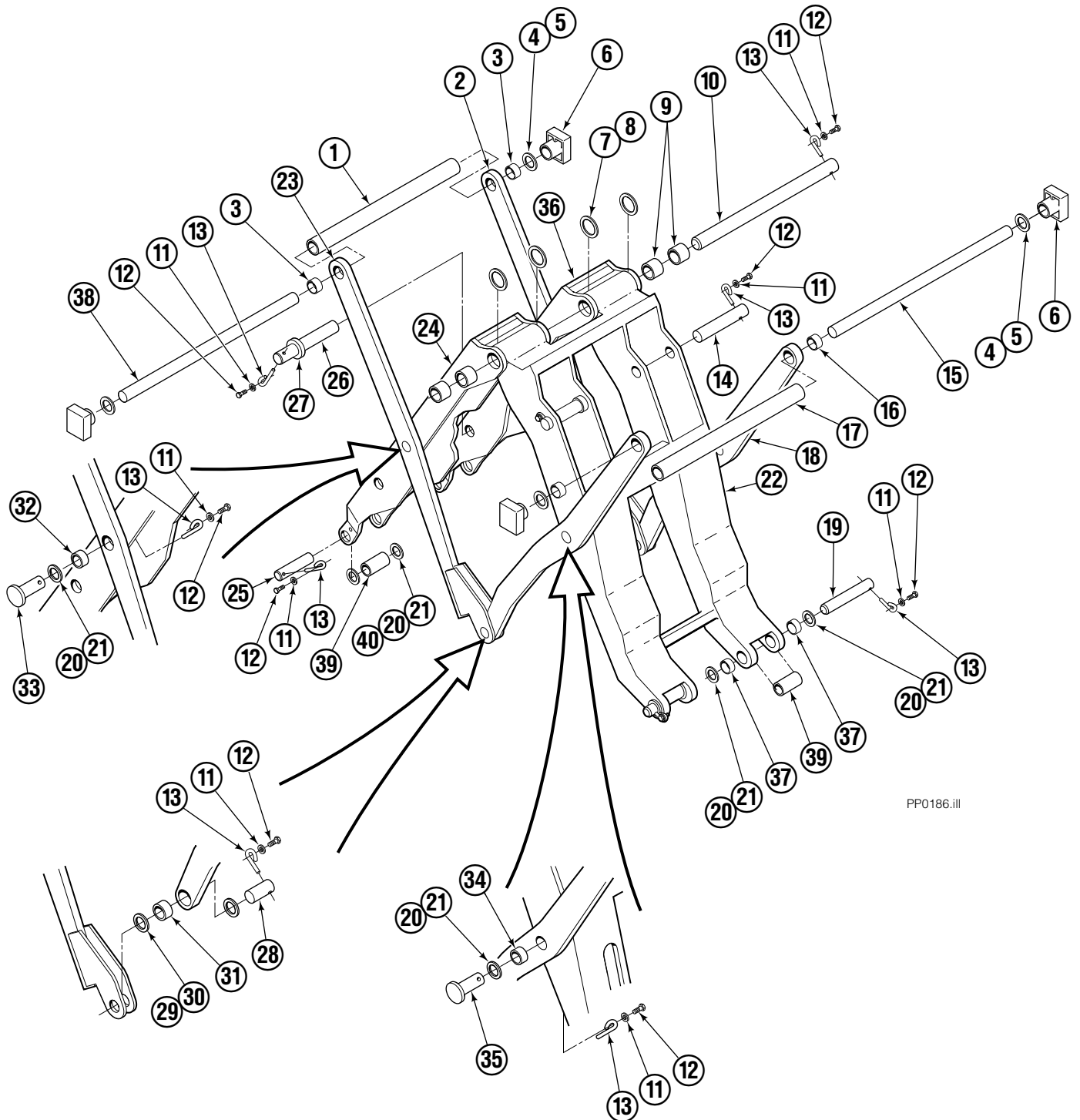
Quick-Change Lower Hook Group ITA II



PP0056.iii

35E/45E			
REF	QTY	PART NO.	DESCRIPTION
		683179	Lower Hook Group ITA II
1	2	678832	Pin
2	2	675514	Hook
3	4	683182	Capscrew
4	2	675515	Guide

Mechanism Group



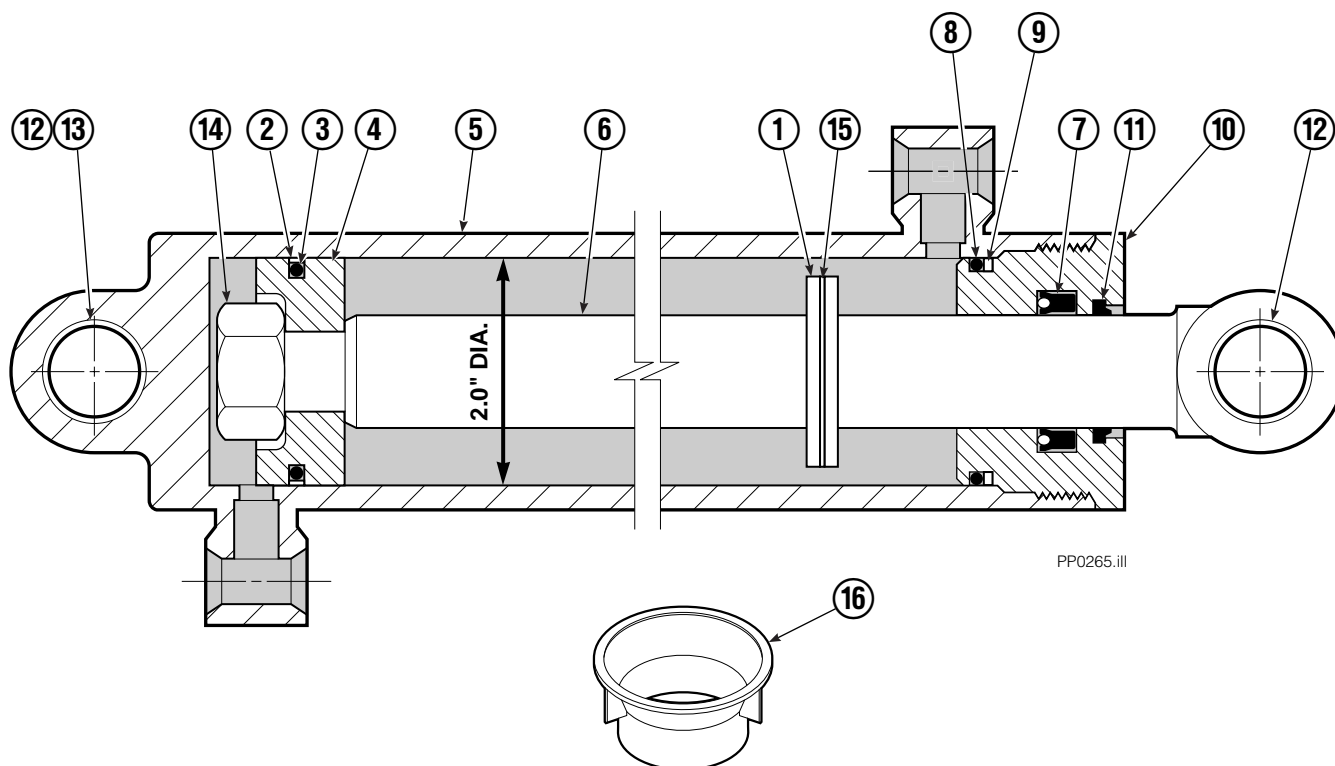
PP0186.iii

Mechanism Group

35E/45E			
REF	QTY	PART NO.	DESCRIPTION
		682829	Mechanism Group
1	1	682818	Tube
2	1	683000	Arm-Secondary Outer R. H.
3	2	683154	Bushing
4	●	683161	Shim (.030)
5	●	683162	Shim (.060)
6	4	682866	Bearing
6	4	688396	Bearing - Heavy Duty
7	●	683163	Shim (.030)
8	●	683164	Shim (.060)
9	4	683155	Bushing
10	1	682821	Pin
11	15	6229	Washer
12	15	685661	Capscrew, M8x1.25x14-8.8
13	15	682999	Eye-Pin
14	2	682822	Pin-Head
15	1	682815	Pin
16	2	683153	Bushing
17	1	682817	Tube
18	2	682543	Arm-Outer Primary
19	2	682819	Pin-Frame
20	●	683159	Shim
21	●	683160	Shim
22	1	682598	Arm-Inner Primary
23	1	682540	Arm-Secondary Outer L. H.
24	1	682588	Arm-Inner Secondary L. H.
25	2	682820	Pin-Faceplate
26	2	682823	Pin-Rod
27	2	683165	Spacer
28	2	682824	Pin-Outer
29	●	683158	Shim
30	●	683157	Shim
31	2	683149	Bushing
32	2	683152	Bushing
33	2	682826	Pin-Secondary Outer
34	2	683151	Bushing
35	2	682825	Pin-Primary Outer
36	1	682589	Arm-Inner Secondary R.H.
37	4	683150	Bushing
38	1	682816	Pin
39	4	685127	Spacer
40	●	685838	Shim

● Quantity as required.

Cylinder

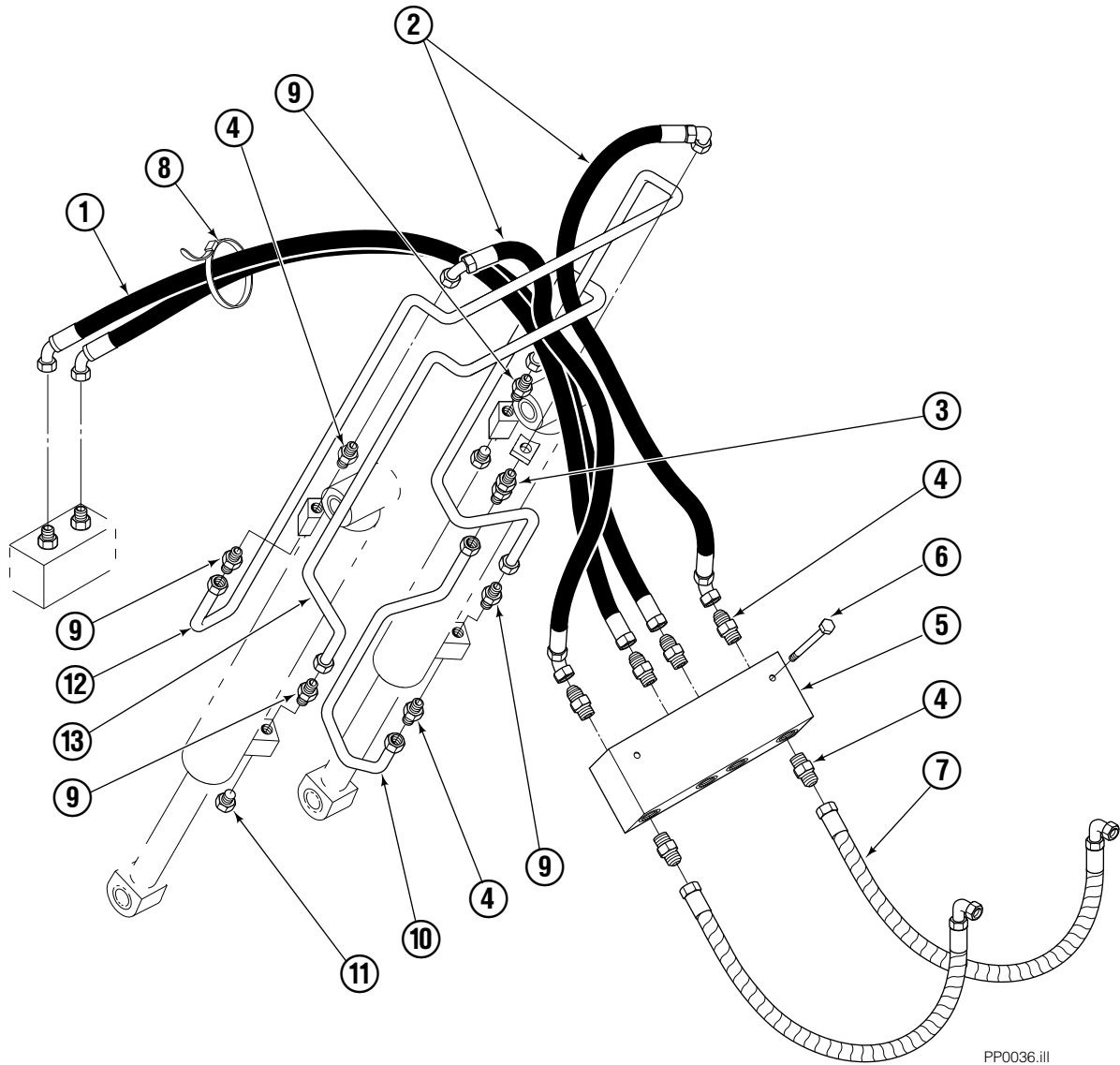


35E/45E				
Cylinder Assembly Part No.	Usable Platen Length	Extended Cylinder Length	REF NO. 1 Spacer Part Number	Spacer Thickness Qty 1
580433	48 in.	27.9 in.	—	—
685374	46 in.	27.5 in.	685379	0.4 in.
685375	44 in.	27.0 in.	685380	0.8 in.
685376	42 in.	26.6 in.	685381	1.3 in.
685377	40 in.	26.1 in.	685382	1.8 in.
685378	38 in.	25.6 in.	685383	2.3 in.

REF	QTY	PART NO.	DESCRIPTION
2	1	661648	Seal ■
3	1	643385	O-Ring ■
4	1	559693	Piston
5	1	559694	Shell
6	1	558626	Rod
7	1	559705	Seal ■
8	1	2785	O-Ring ■
9	1	615128	Back-Up Ring ■
10	1	559696	Retainer
11	1	636853	Wiper ■
12	4	559697	Bearing
13	1	559698	Spacer
14	1	553717	Nut
15	1	7348	Snap Ring
16	1	672904	Seal Loader Kit ■

■ Included in Service Kit 559522.

Hydraulic Group



PP0036.iii

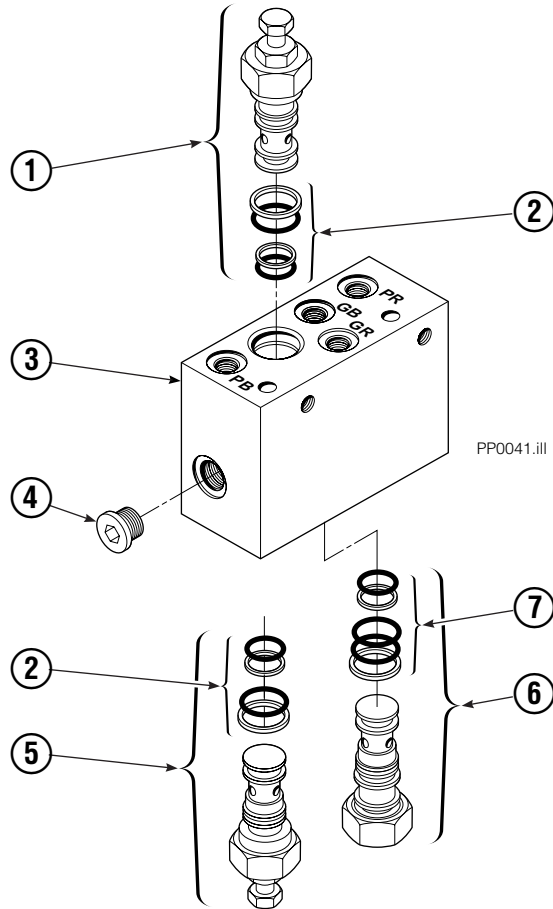
35E/45E

REF	QTY	PART NO.	DESCRIPTION
		685828	Hydraulic Group ITA II
1	1	685831	Hose
2	2	683173	Hose
3	1	2375	Fitting, 6-6
4	8	604511	Fitting, 6-6
5	1	682812	■ Valve
6	2	765329	Capscrew, M8x1.25x20-8.8
7	2	685978	Hose ITA II
8	2	684956	Cable tie
9	4	605235	Fitting 5-6
10	1	200647	Tube
11	2	604510	Plug, 6
12	1	200649	Tube
13	1	200648	Tube

■ See Valve page for parts breakdown.

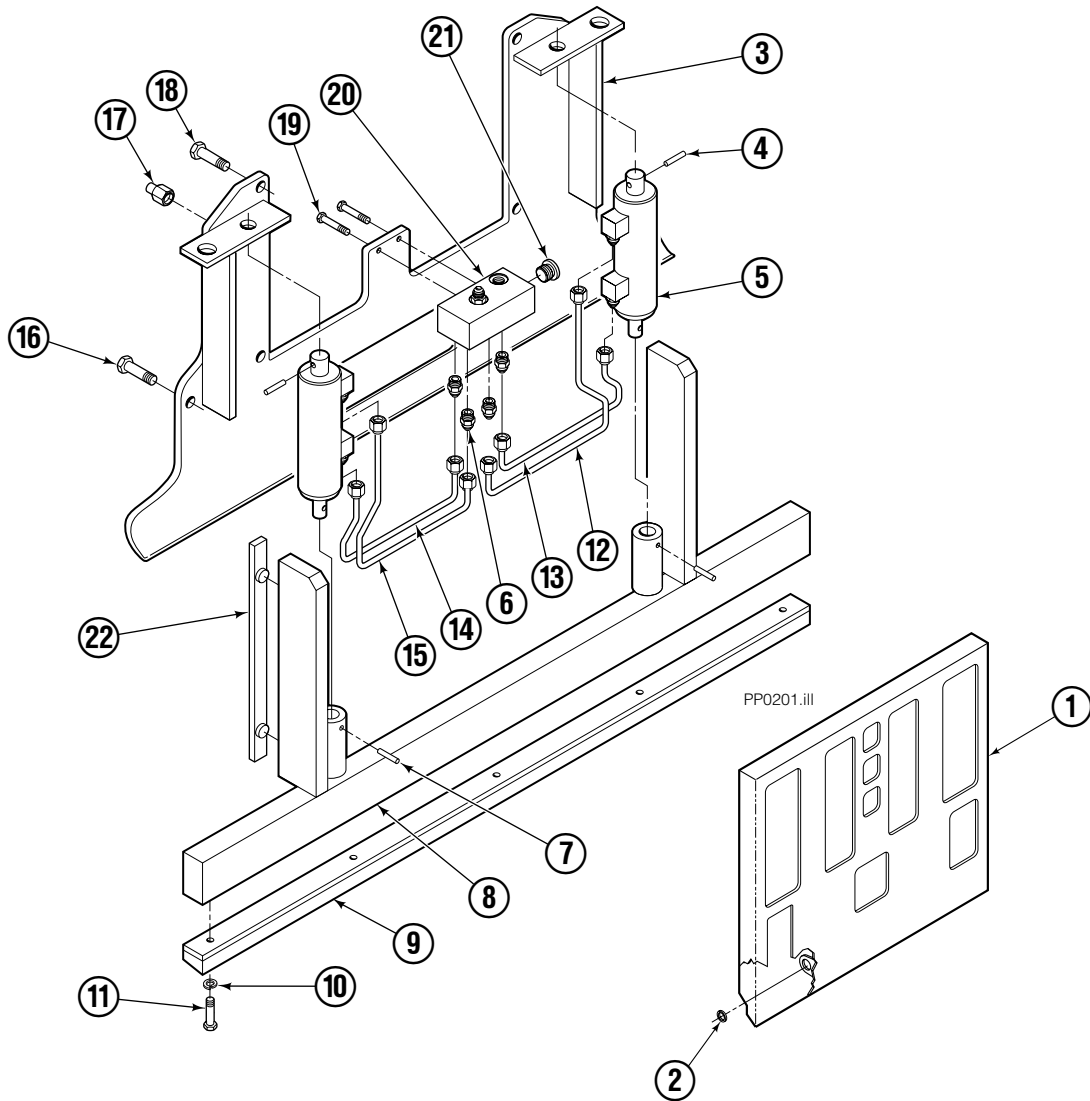
Valve

Load Push/Pull



35E/45E			
REF	QTY	PART NO.	DESCRIPTION
		682812	Valve Assembly
1	1	677125	Sequence Valve (Retract)
2	2	669597	Service Kit
3	1	682813	Body
4	5	663694	Fitting, 3
5	1	677124	Sequence Valve (Extend)
6	1	659058	Gripper Check Valve
7	1	667516	Service Kit

Faceplate Group



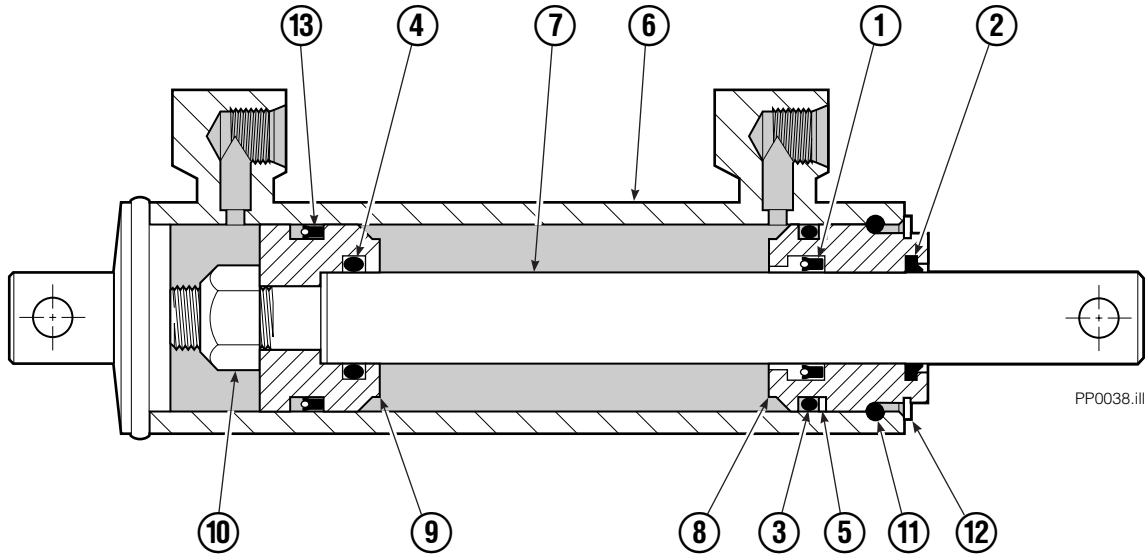
35E/45E							
REF	QTY	PART NO.	DESCRIPTION	REF	QTY	PART NO.	DESCRIPTION
		352220	Faceplate Group 40" x 60" ■	11	5	787375	Capscrew, M8 x 20
		686570	Gripper Jaw Assembly ●	12	1	682847	Tube
1	1	352616	Faceplate 40" x 60" ■	13	1	682846	Tube
2	4	683150	Bushing	14	1	682848	Tube
3	1	682583	Gripper Jaw	15	1	682849	Tube
4	2	200877	Drive Pin	16	2	768710	Capscrew
5	2	682844	Gripper Cylinder ▼	17	4	682850	Stop
6	8	617915	Fitting, 4-4	18	4	779010	Capscrew, M16 x 35
7	2	673385	Drive Pin	19	2	763166	Capscrew, M8 x 25
8	1	686571	Gripper Bar	20	1	685832	Junction Block
9	1	672712	Gripper Pad	21	2	609234	Plug, 4
10	5	6444	Lockwasher	22	2	686573	Bearing

■ Width x height.

● Includes items 2 through 22.

▼ See Gripper Cylinder page for parts breakdown.

Gripper Cylinder



35E/45E			
REF	QTY	PART NO.	DESCRIPTION
		682844	Gripper Cylinder
▼ 1	1	646540	Seal
▼ 2	1	636850	Wiper
▼ 3	1	2718	O-Ring
▼ 4	1	2710	O-Ring
▼ 5	1	615122	Back-Up Ring
6	1	685662	Shell
7	1	685663	Rod
8	1	685664	Retainer
9	1	685665	Piston
10	1	563462	Nut
11	1	563916	Ring
12	1	684284	Snap Ring
▼ 13	1	663728	Piston Seal

▼ Included in Service Kit 684827.

Do you have questions you need answered right now? Call your nearest Cascade Parts Department.

Cascade Corporation
2501 Sheridan Avenue
Springfield, OH 45505
Tel: 888-CASCADE (227-2233)
FAX: 888-329-0234

Cascade Canada Inc.
5570 Timberlea Blvd.
Mississauga, Ontario
Canada L4W-4M6
Tel: 905-629-7777
FAX: 905-629-7785

Cascade GmbH
D-41199 Monchengladbach
Klosterhofweg 52
Germany
Tel: 21-66-602091
FAX: 21-66-680947

Cascade Finland
01370 Vantas
Finland
Tel: 358-0-836-1925
FAX: 358-0-836-1935

**Cascade N.V.
European Headquarters**
P.O. Box 3009
1300 El Almere
Damsluisweg 56
1332 ED Almere
The Netherlands
Tel: 31-36-5492911
FAX: 31-36-5492964

**Cascade N.V.
Benelux Sales and Service**
P.O. Box 3009
1300 El Almere
Damsluisweg 56
1332 ED Almere
The Netherlands
Tel: 31-36-5492950
FAX: 31-36-5492974

Cascade (UK) Ltd.
15, Orgreave Crescent
Dore House Industrial Estate
Handsworth
Sheffield S13 9NQ
England
Tel: 742-697524
FAX: 742-695121

**Cascade Scandinavia
Hydraulik A.B.**
Muskötgatan 19, E8-9
S25466 Helsingborg
Sweden
Tel: 42-151135
FAX: 42-152997

Cascade Norway
Østerliveien 37A
1153 Oslo
Norway
Tel: 47-22-743160
FAX: 47-22-743157

Cascade France S.A.R.L.
11, Rue Jean Charcot
Zone Industrielle Sud or
B.P. 22
91421 Morangis Cedex
France
Tel: 1- 64547501
FAX: 1-9790584

Cascade Hispania S.A.
Avenida De La Fabregada, 7
Hospitalet De Llobregat
Barcelona
Spain
Tel: 3-335-5158
FAX: 3-335-4756

Cascade Japan Ltd.
5-5-41,
Torikai Kami
Settsu, Osaka
Japan, 566
Tel: 81-726-53-3490
FAX: 81-726-53-3497

Cascade Korea
Room 508, Pum Yang Bldg.
750-14, Bang Bac-Dong
Se-Cho Ku, Seoul
Korea
Tel: 2599-7131 ext. 512
FAX: 2533-8089

HYCO-Cascade Pty. Ltd.
87 Antimony Street
Carole Park,
Brisbane 4300
Australia
Tel: 7-271-1966
FAX: 7-271-3830

HYCO-Cascade (NZ) Ltd.
15 Ra Ora Drive, East Tamaki
P.O. Box 38-440
Howick, Auckland
New Zealand
Tel: 9-273-9136
FAX: 9-273-9137

Cascade (Africa) Pty. Ltd.
P.O. Box 625, Isando 1600
60A Steel Road
Sparton, Kempton Park
South Africa
Tel: 975-9240
FAX: 394-1147

Cascade-Xiamen
Wanshan No. 1 Workshop
Huli Road
Xiamen 361006
Fujian, PRC
Tel: 592-562-4600
FAX: 592-562-4671

**Cascade (Singapore)
Trading Co.**
Four Seasons Park
Autumn Block - Apt. 1802
12 Cascaden Walk
Singapore
Tel: 65-834-1935
FAX: 65-834-1936

