



Parts Manual

Model Single-Double Pallet Handler

Serial Number 50D-ES-272

cascade[®]

For Technical Assistance call: 800-227-2233, Fax: 888-329-8207

To Order Parts call: 888-227-2233, Fax: 888-329-0234

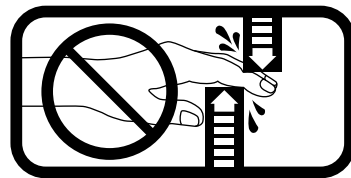
OR

Write: Cascade Corporation, P.O. Box 20187, Portland, OR 97220

Safety Decals

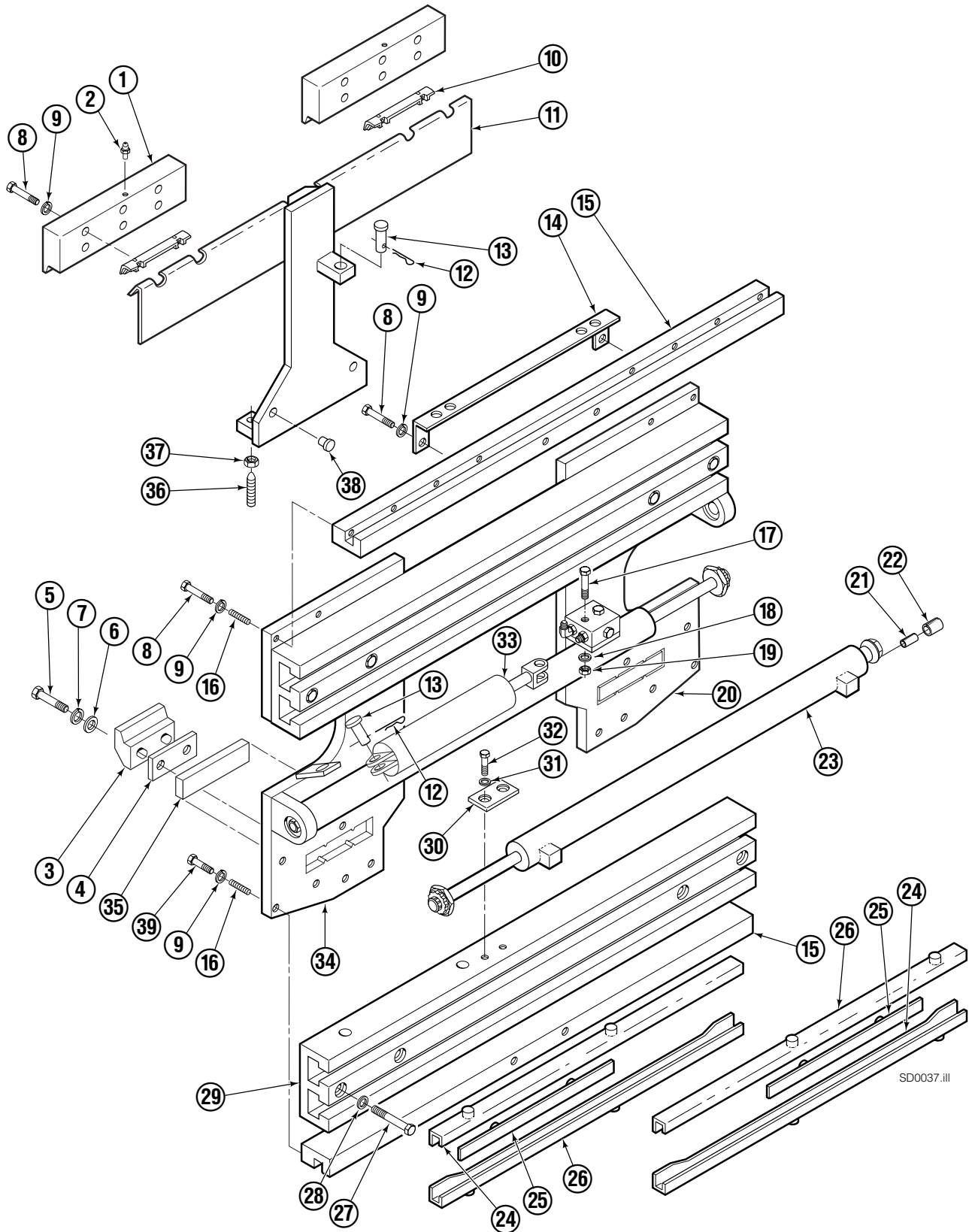


Part No. 679150
(1 Place & 1 Optional)



Part No. 665595
(2 Place & 2 Optional)

Base Unit Group & Mounting ITA Class II



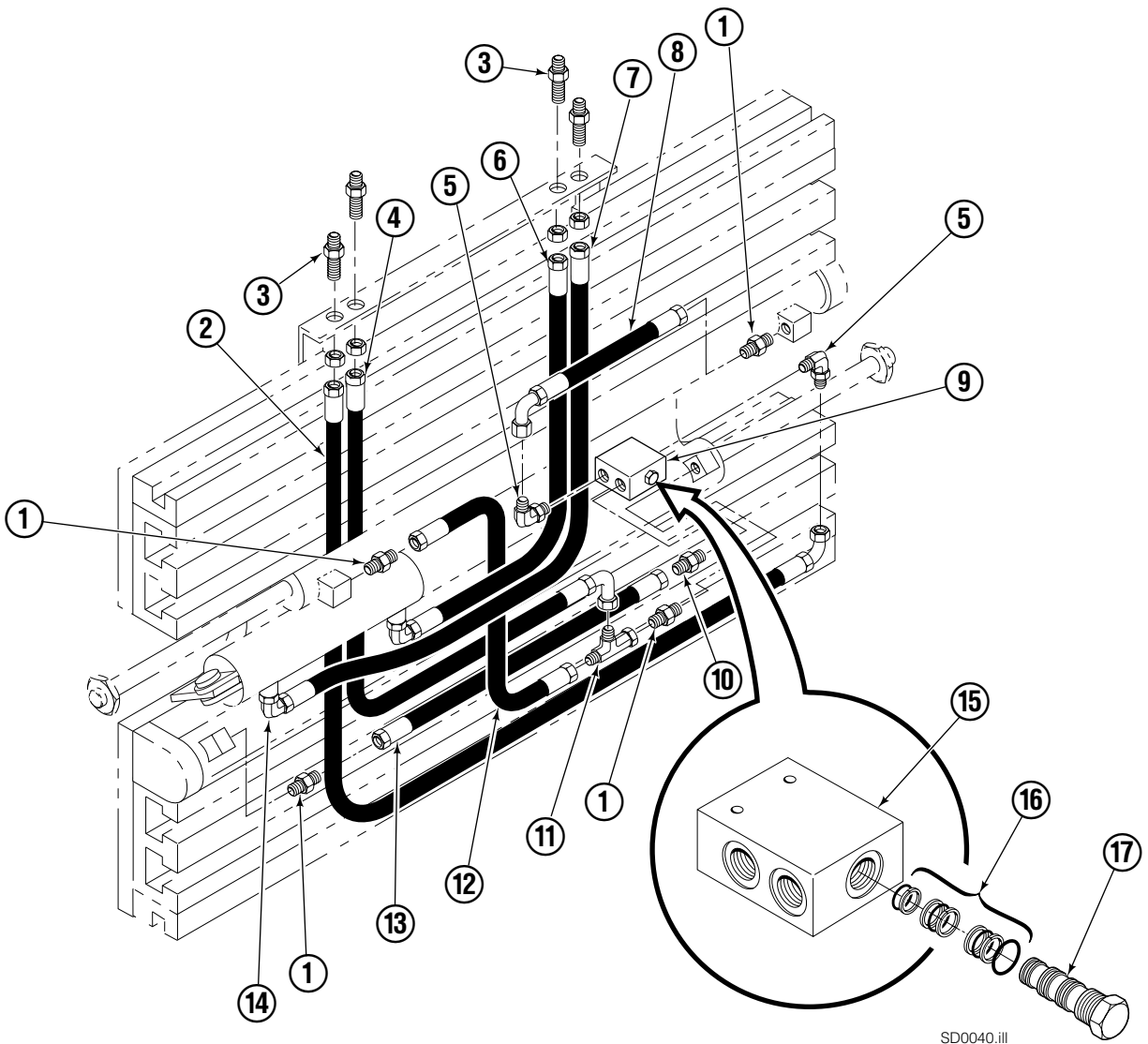
SD0037.iii

Base Unit Group & Mounting ITA Class II

50D			
REF	QTY	PART NO.	DESCRIPTION
		211278	Base Unit Group
1	2	204211	▲ Upper Hook
2	4	7403	▲ Grease Fitting
3	2	675968	▲ Lower Hook
4	2	204213	▲ Spacer
5	4	667808	▲ Capscrew, 5/8 x 2.00
6	4	667225	▲ Washer
7	4	6292	▲ Lockwasher
8	20	643539	● Capscrew, 1/2 x 1.75
9	30	6290	● Lockwasher, 1/2
10	2	671165	▲ Bearing
11	1	204201	▲ Anchor
12	2	672726	▲ Cotter Pin
13	2	678525	▲ Clevis Pin
14	1	205227	Bracket
15	2	205222	Channel
16	4	205324	Spring Pin
17	2	3559	Capscrew, 1/4 x 2.00
18	2	6201	Washer, 1/4
19	2	6097	Nut
20	1	204285	Mounting Plate - LH
21	2	7962	Roll Pin
22	2	7861	Roll Pin
23	2	204200	Cylinder ◆
24	4	208857	Bearing
25	4	208858	Bearing
26	4	667663	Bearing
27	8	667909	Capscrew, 1/2 x 3.00
28	8	667910	Washer, 1/2
29	2	211273	Frame
30	2	211267	Stop
31	4	6288	Lockwasher, 3/8
32	4	629516	Capscrew, 3/8 x .75
33	1	675548	▲ Sideshift Cylinder ■
34	1	204218	Mounting Plate - RH
35	2	204212	▲ Lower Bearing
36	2	5027	▲ Setscrew
37	2	5932	▲ Nut
38	2	212859	Wear Plug
39	6	643538	Capscrew, 1/2 x 1.50

- ▲ Included in Mounting Group 204275.
 - 12 of each in Mounting Group 204275.
 - ◆ See Cylinder page for parts breakdown.
 - See Sideshift Cylinder page for parts breakdown.
- Reference: Common Parts Group 211282.

Base Unit Group - Hydraulics



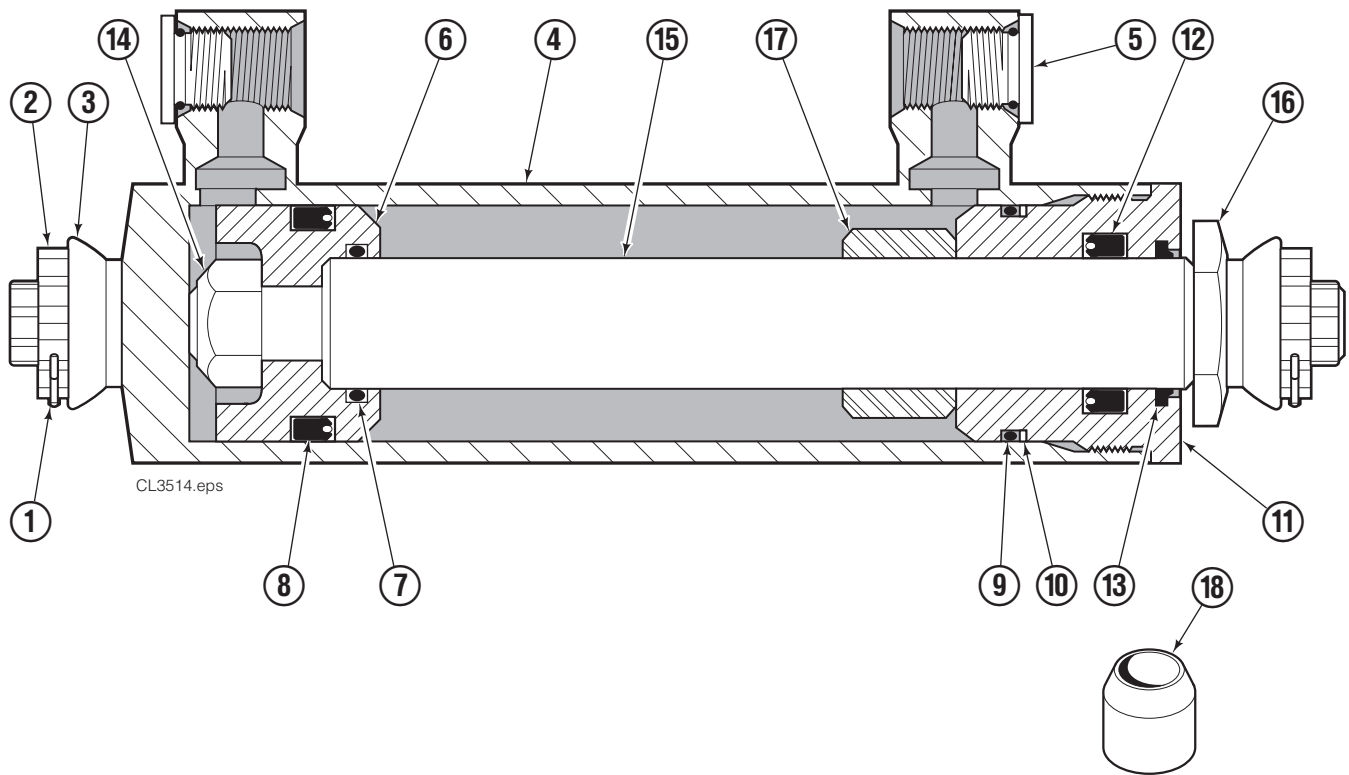
SD0040.ill

50D							
REF	QTY	PART NO.	DESCRIPTION	REF	QTY	PART NO.	DESCRIPTION
1	4	611288	Fitting, 6-8	10	2	604511	Fitting, 6-6
2	1	205226	Hose, 34.25 in.	11	1	611329	Fitting, 6-6
3	4	2375	Fitting, 6-6	12	1	675058	Hose, 18.25 in.
4	1	205246	Hose, 30.00 in.	13	1	675084	Hose, 25.75 in.
5	2	601676	Fitting, 6-6	14	2	666984	Fitting, 4-6
6	1	205224	Hose, 25.50 in.	15	1	204222	● Valve Body
7	1	205223	Hose, 35.50 in.	16	1	204951	● Service Kit
8	1	201734	Hose, 10.00 in.	17	1	201527	● Valve Cartridge
9	1	204223	Valve Assembly				

Reference: Base Unit 211278, Common Parts 211282.

● Included in Valve Assembly 204223.

Cylinder Assembly



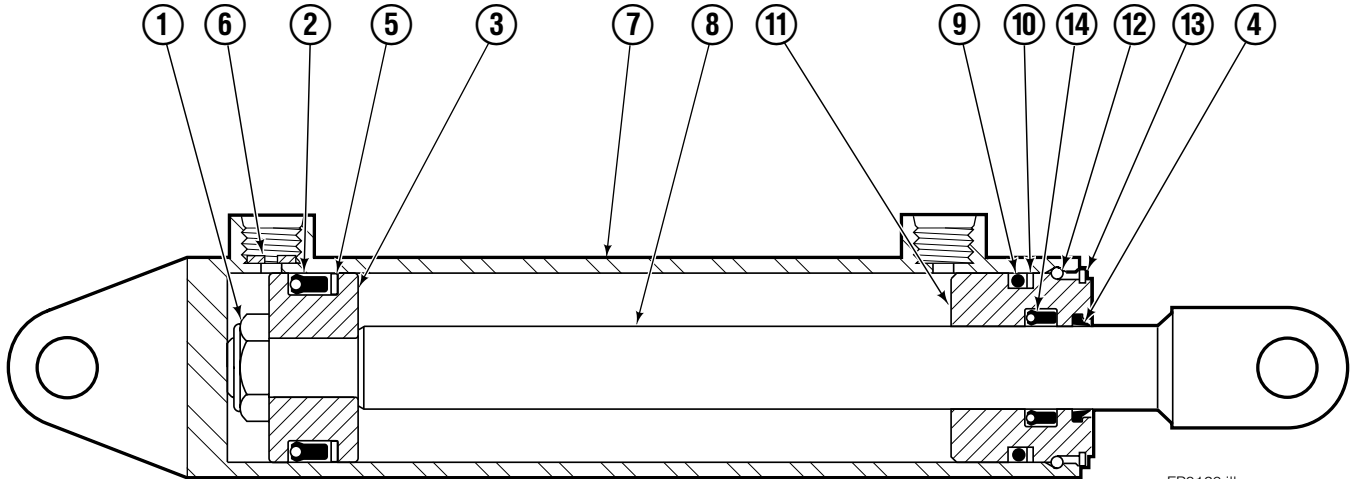
REF	QTY	PART NO.	DESCRIPTION
		204200	Cylinder Assembly
1	2	6510	■ Cotter Pin
2	2	667624	■ Nut Retainer
3	2	667625	■ Nut
4	1	559662	Shell
5	2	602580	Fitting
6	1	559702	Piston
7	1	2716	▲ O-Ring
8	1	662450	▲ Seal
9	1	2722	▲ O-Ring
10	1	615126	▲ Back-Up Ring
11	1	413799	Retainer
12	1	662448	▲ Seal
13	1	636853	▲ Wiper
14	1	667623	Nut
15	1	416991	Rod
16	1	667626	Washer
17	1	-	Spacer
18	1	671051	▲ Seal Loader, Retainer
		560729	Service Kit

■ Included in Nut Service Kit 668926.

▲ Included in Service Kit 560729.

Reference: ST-0283, ST-0284.

Sideshift Cylinder ITA Class III



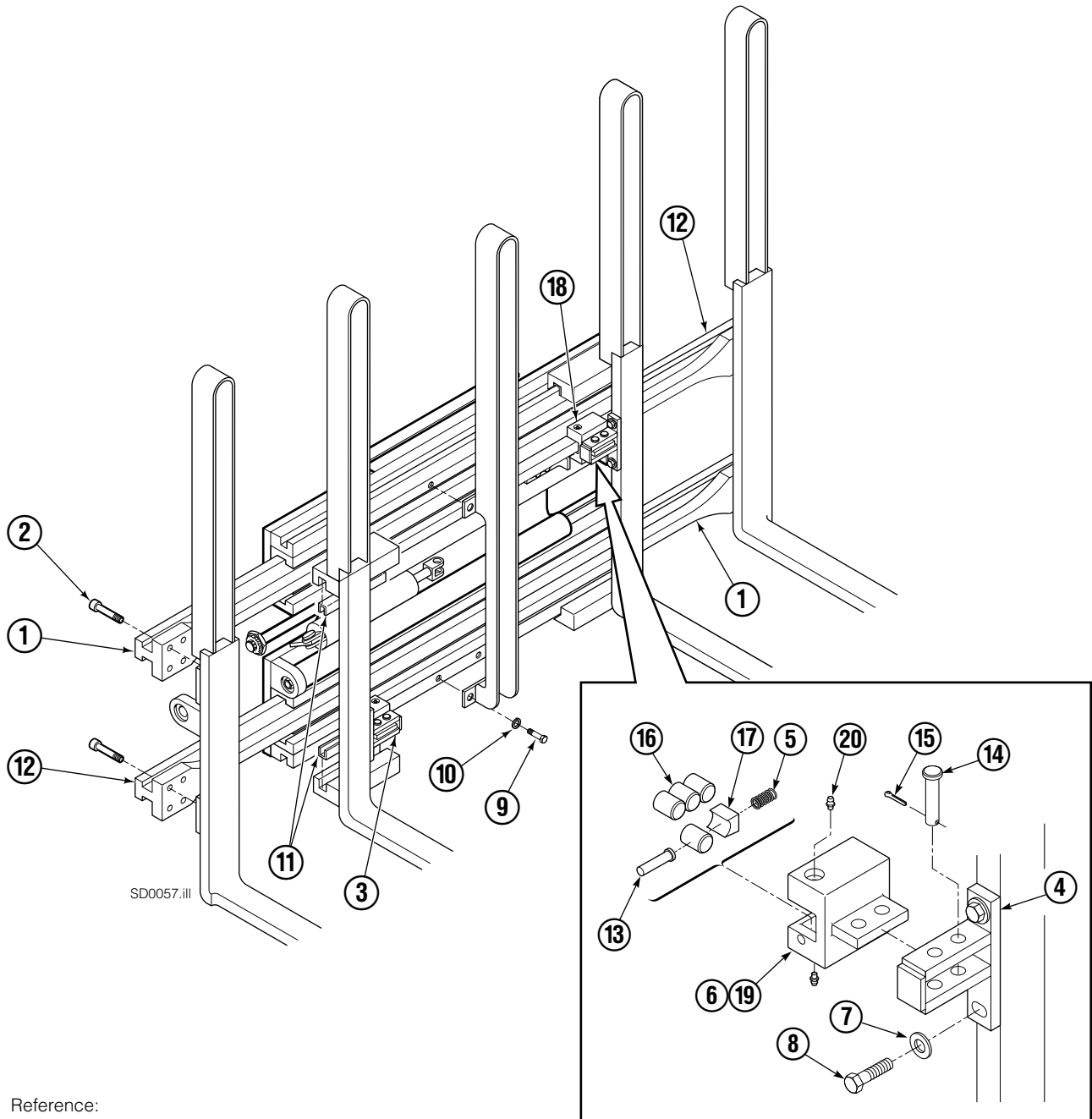
FP0126.ill

55E			
REF	QTY	PART NO.	DESCRIPTION
		675548	Cylinder Assembly
1	1	553857	Nut
2	1	662452	■ Seal
3	1	553501	Piston
4	1	636851	■ Wiper
5	1	638247	■ Back-up Ring
6	1	675550	Washer (orifice .085 in.) ●
7	1	675549	Shell
8	1	553499	Rod
9	1	2785	■ O-Ring
10	1	615128	■ Back-up Ring
11	1	553500	Retainer
12	1	553856	Retaining Ring
13	1	7202	Snap Ring
14	1	641835	■ Seal
		553861	Service Kit

■ Included in Service Kit 553861.

● Not included in Cylinder Assembly.

Arm Group

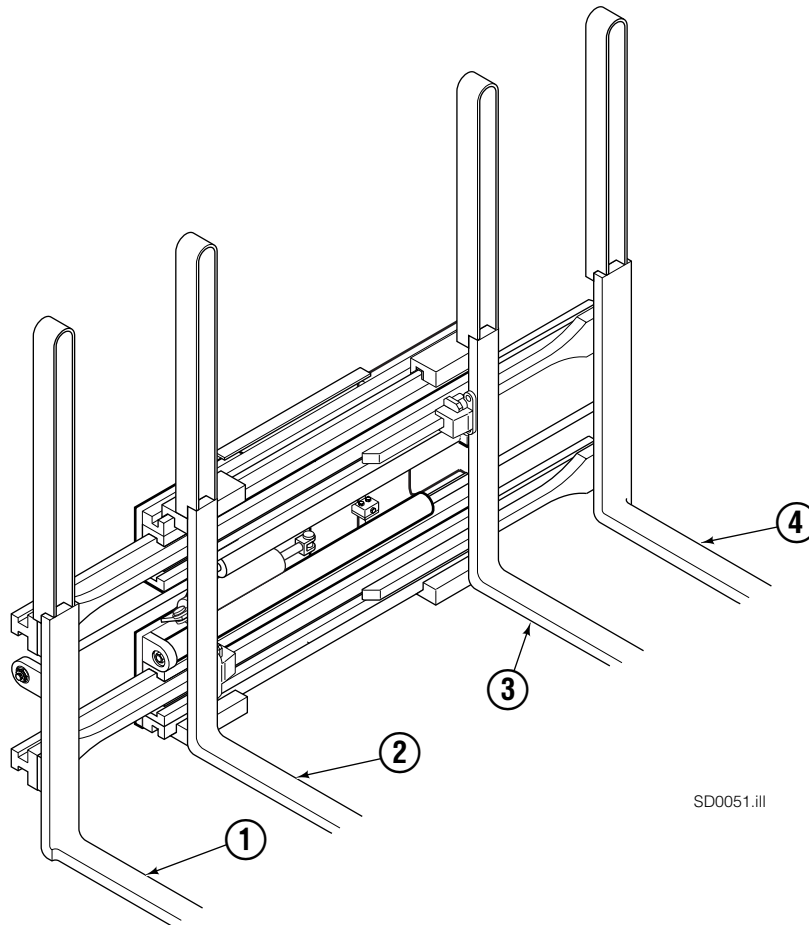


Reference:
 211278 Base Unit Group
 211282 Common Parts Group

50D							
REF	QTY	PART NO.	DESCRIPTION	REF	QTY	PART NO.	DESCRIPTION
		204239	Arm Group	9	4	633801	Capscrew
1	2	204225	Arm Bar	10	4	6290	Washer
2	16	607103	Capscrew, 3/4NCx1.50 GR8	11	4	209654	Bearing
3	1	211272	Roller Assembly R.H.	12	2	204228	Arm Bar
3	1	211277	Roller Assembly L.H.	■ 13	1	209433	Pin
■ 4	2	209410	Anchor Plate	■ 14	2	674265	Clevis Pin
■ 5	1	211729	Spring	■ 15	2	6524	Cotter Pin
■ 6	1	211271	Housing	■ 16	4	209430	Rod-Roller
■ 7	4	6455	Washer	■ 17	1	209431	Spring Keeper
■ 8	4	4506	Capscrew				

■ Included in Roller Assembly (Item 3).

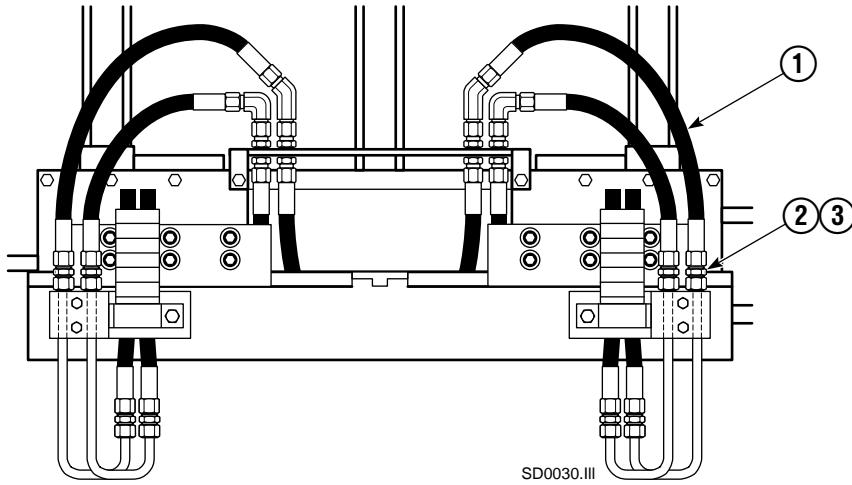
Fork and Backrest Group Loop Backrest



SD0051.ill

50D			
REF	QTY	PART NO.	DESCRIPTION
		368743	Fork and Backrest Group
1	1	204302	Outer Fork-RH
2	1	204298	Inner Fork-RH
3	1	204297	Inner Fork-LH
4	1	204301	Outer Fork-LH

Installation Kit



REF	QTY	PART NO.	DESCRIPTION
		205854	Installation Kit
1	4	2161	Hose
2	4	2347	Fitting, 6-6
3	4	674294	Fitting, 6-8

Do you have questions you need answered right now? Call your nearest Cascade Parts Department.

AMERICAS

**Cascade Corporation
Parts Sales**
2501 Sheridan Ave.
Springfield, OH 45505
Tel: 888-CASCADE (227-2233)
Fax: 888-329-0234

Cascade Canada Inc.
5570 Timberlea Blvd.
Mississauga, Ontario
Canada L4W-4M6
Tel: 905-629-7777
Fax: 905-629-7785

Cascade do Brasil
Rua João Guerra, 134
Macuco, Santos - SP
Brasil 11015-130
Tel: 55-13-2105-8800
Fax: 55-13-2105-8899

EUROPE-AFRICA

**Cascade Italia S.R.L.
European Headquarters**
Via Dell'Artigianato 1
37050 Vago di Lavagno (VR)
Italy
Tel: 39-045-8989111
Fax: 39-045-8989160

Cascade (Africa) Pty. Ltd.
PO Box 625, Isando 1600
60A Steel Road
Sparton, Kempton Park
South Africa
Tel: 27-11-975-9240
Fax: 27-11-394-1147

ASIA-PACIFIC

Cascade Japan Ltd.
2-23, 2-Chome,
Kukuchi Nishimachi
Amagasaki, Hyogo
Japan, 661-0978
Tel: 81-6-6420-9771
Fax: 81-6-6420-9777

Cascade Korea
121B 9L Namdong Ind.
Complex, 691-8 Gojan-Dong
Namdong-Ku
Inchon, Korea
Tel: +82-32-821-2051
Fax: +82-32-821-2055

Cascade-Xiamen
No. 668 Yangguang Rd.
Xinyang Industrial Zone
Haicang, Xiamen City
Fujian Province
P.R. China 361026
Tel: 86-592-651-2500
Fax: 86-592-651-2571

**Cascade India Material
Handling Private Limited**
No 34, Global Trade Centre
1/1 Rambaugh Colony
Lal Bahadur Shastri Road,
Navi Peth, Pune 411 030
(Maharashtra) India
Phone: +91 020 2432 5490
Fax: +91 020 2433 0881

Cascade Australia Pty. Ltd.
1445 Ipswich Road
Rocklea, QLD 4107
Australia
Tel: 1-800-227-223
Fax: +61 7 3373-7333

Cascade New Zealand
15 Ra Ora Drive
East Tamaki, Auckland
New Zealand
Tel: +64-9-273-9136
Fax: +64-9-273-9137

**Sunstream Industries
Pte. Ltd.**
18 Tuas South Street 5
Singapore 637796
Tel: +65-6795-7555
Fax: +65-6863-1368

