



Parts Manual

Model Single-Double Pallet Handler

Serial Number 55E-FDS-1279

cascade[®]
corporation

For Technical Assistance call: 800-227-2233, Fax: 888-329-8207

To Order Parts call: 888-227-2233, Fax: 888-329-0234

OR

Write: Cascade Corporation, P.O. Box 20187, Portland, OR 97220

Internet: www.cascorp.com

Decals



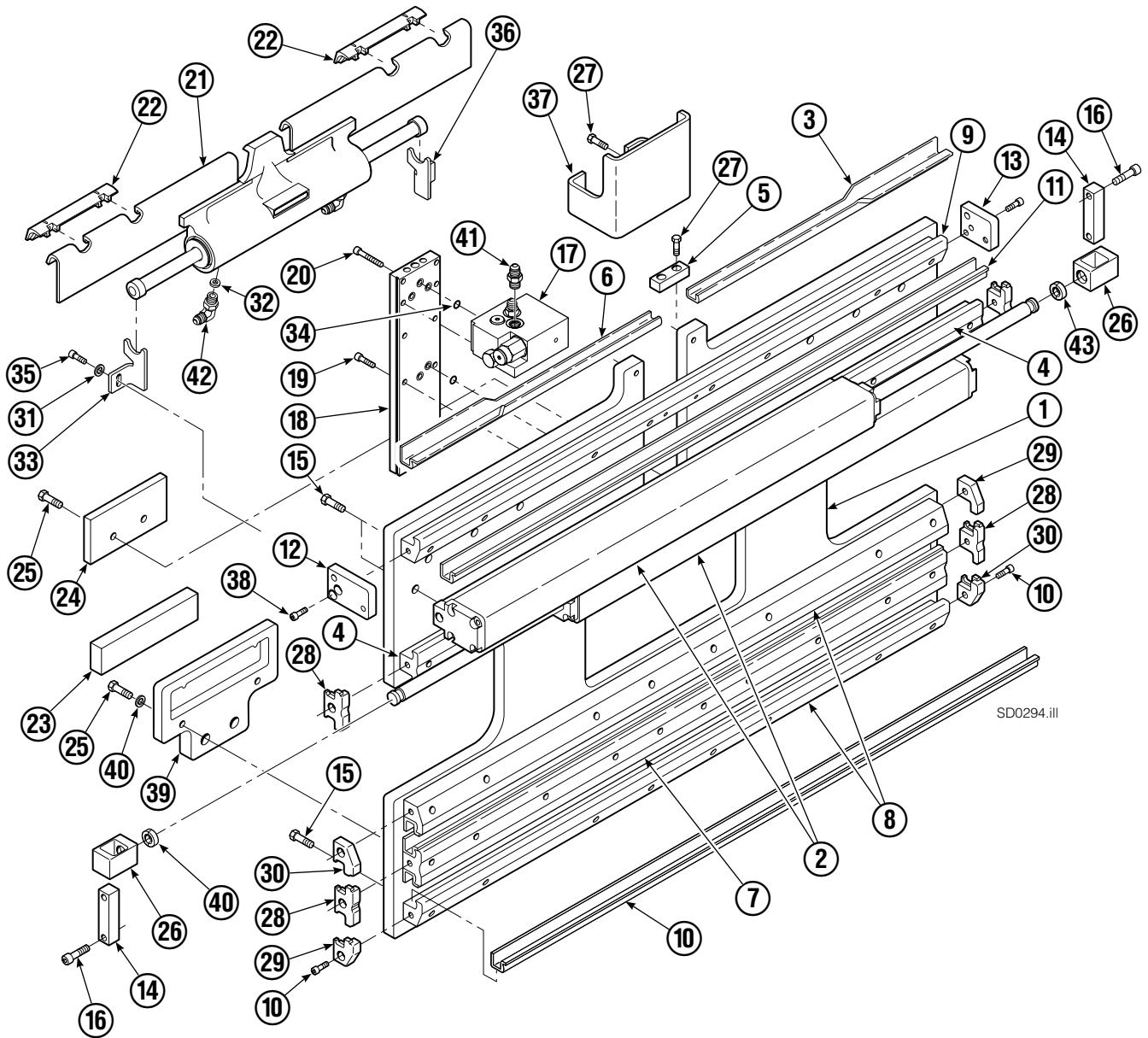
| 55E | | | |
|-----|-----|----------|--------------------|
| REF | QTY | PART NO. | DESCRIPTION |
| 1 | 6 | 665595 | No Hand Hold Decal |
| 2 | 4 | 679150 | No Step Decal |

Publications

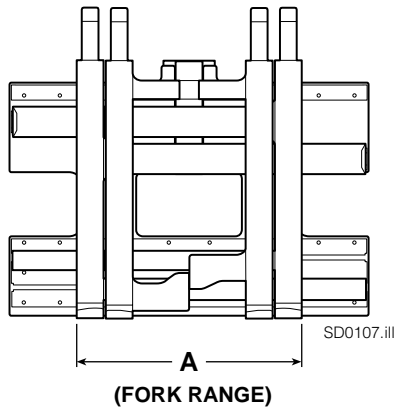


| 55E | |
|----------|-----------------------------|
| PART NO. | DESCRIPTION |
| 214269 | Parts Manual |
| 213580 | Operator's Guide |
| 213372 | Installation Instructions |
| 679929 | Tool Catalog |
| 673964 | Literature Index Order Form |

Base Unit Group – ITA Class III



Base Unit Group – ITA Class III



NOTE: Position the outer forks to minimum width and measure **A** to determine minimum outer fork outside to outside (OTO) range.

| 55E | | | |
|-----|-----|-----------|-----------------------------|
| REF | QTY | PART NO. | DESCRIPTION |
| | | 6104009 | Base Unit Group – Class III |
| 1 | 1 | 3003738 | Baseplate |
| 2 | 2 | 214624 | Frame Cylinder ★ |
| 3 | 1 | 4786-0413 | Bearing Segment – LH |
| 4 | 2 | 214629 | T-Bar – Upper |
| 5 | 1 | 212724 | Fork Stop |
| 6 | 1 | 4787-0413 | Bearing Segment – RH |
| 7 | 1 | 214631 | T-Bar – Lower |
| 8 | 2 | 214633 | T-Bar – Lower |
| 9 | 1 | 220143 | T-Bar – Upper |
| 10 | 4 | 4730-1040 | Bearing Segment |
| 11 | 4 | 4730-1050 | Bearing Segment |

Common Parts

| REF | QTY | PART NO. | DESCRIPTION | REF | QTY | PART NO. | DESCRIPTION |
|-----|-----|----------|----------------------|-----|-----|----------|--------------------------|
| | | 6105188 | Common Parts Group | 28 | 4 | 210140 | Bearing Retainer |
| 12 | 1 | 220009 | Retainer/Stop – RH | 29 | 2 | 212585 | Bearing Retainer |
| 13 | 1 | 6101490 | Retainer/Stop – LH | 30 | 2 | 212586 | Bearing Retainer |
| 14 | 2 | 210489 | Rod End Anchor ■ | 31 | 2 | 787398 | Washer |
| 15 | 15 | 211689 | Capscrew, M12 x 30 | 32 | 1 | 564226 | Restrictor Washer |
| 16 | 4 | 768303 | Capscrew, M10 x 35 ■ | 33 | 1 | 213737 | Bracket – RH |
| 17 | 1 | 216838 | Valve Assembly ▲ | 34 | 7 | 214053 | O-Ring |
| 18 | 1 | 211456 | Manifold | 35 | 14 | 787375 | Capscrew, M8 x 20 GR 8.8 |
| 19 | 10 | 768208 | Capscrew, M8 x 25 | 36 | 1 | 213736 | Bracket – LH |
| 20 | 2 | 768810 | Capscrew, M8 x 30 | 37 | 1 | 6007050 | Valve Guard |
| 21 | 1 | 6105189 | Sideshift Cylinder ● | 38 | 37 | 214487 | Capscrew, M12 x 40 |
| 22 | 2 | 672018 | Upper Bearing | 39 | 2 | 215226 | Hanger |
| 23 | 2 | 208350 | Lower Bearing | 40 | 4 | 787383 | Lockwasher, M10 |
| 24 | 2 | 212709 | Spacer Block | 41 | 2 | 604511 | Fitting, 6-6 ◆ |
| 25 | 8 | 767615 | Capscrew, M10 x 25 | 42 | 2 | 601676 | Fitting, 6-6 ◆ |
| 26 | 2 | 209741 | Rod End ■ | 43 | 4 | 210490 | Retainer Half Ring ■ |
| 27 | 2 | 684649 | Capscrew, M10 x 25 | | | | |

★ See Frame Cylinder page for parts breakdown.

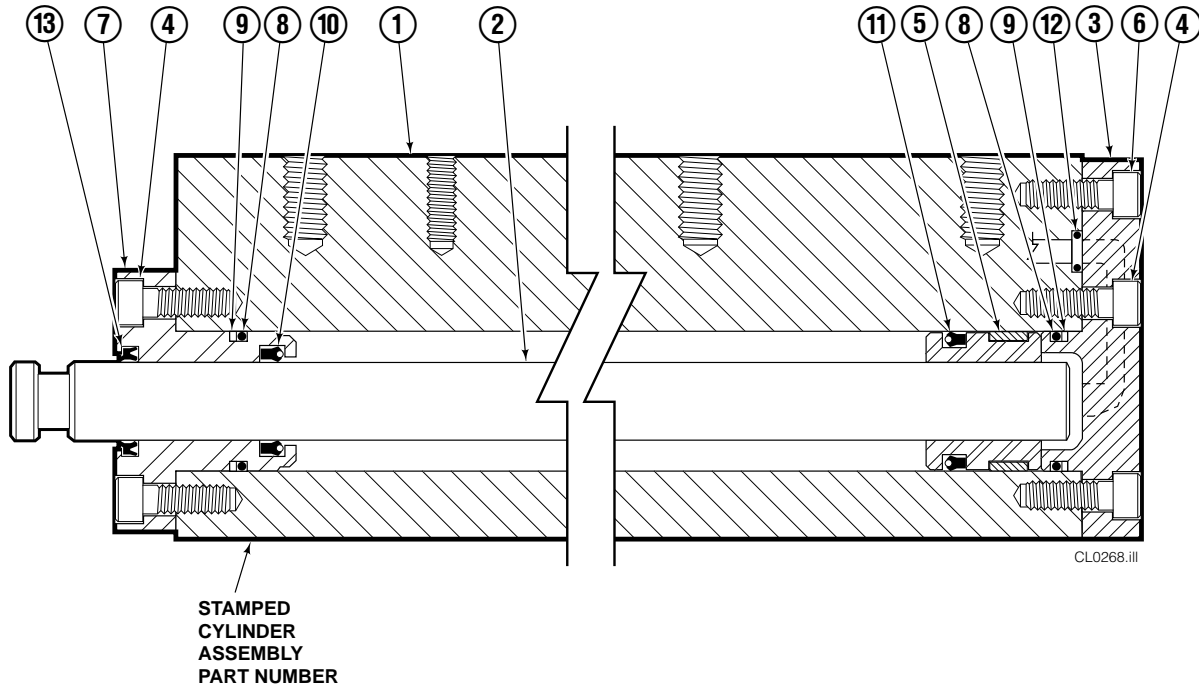
▲ See Valve Assembly page for parts breakdown.

■ Included in Cylinder Rod Anchor Kit 213856.

● See Sideshift Cylinder page for parts breakdown.

◆ Included in Fitting Group 213099.

Frame Cylinder



| 55E | | | |
|-----|-----|----------|-------------------|
| REF | QTY | PART NO. | DESCRIPTION |
| | | 214624 | Cylinder Assembly |
| 1 | 1 | 214623 | Cylinder/Shell |
| 2 | 1 | 4157-880 | Rod |
| 3 | 1 | 213783 | End Cap |
| 4 | 8 | 768208 | Capscrew, M8 x 25 |
| 5 | 1 | 209809 | Bearing ▲ |
| 6 | 1 | 787375 | Capscrew, M8 x 20 |
| 7 | 1 | 212452 | Retainer |
| 8 | 3 | 643379 | O-Ring ▲ |
| 9 | 2 | 210050 | Back-Up Ring ▲ |
| 10 | 1 | 212477 | Seal ▲ |
| 11 | 1 | 209808 | Seal ▲ |
| 12 | 2 | 214053 | O-Ring ▲ |
| 13 | 1 | 562131 | Wiper ▲ |
| | | 210090 | Service Kit |

▲ Included in Service Kit 210090.

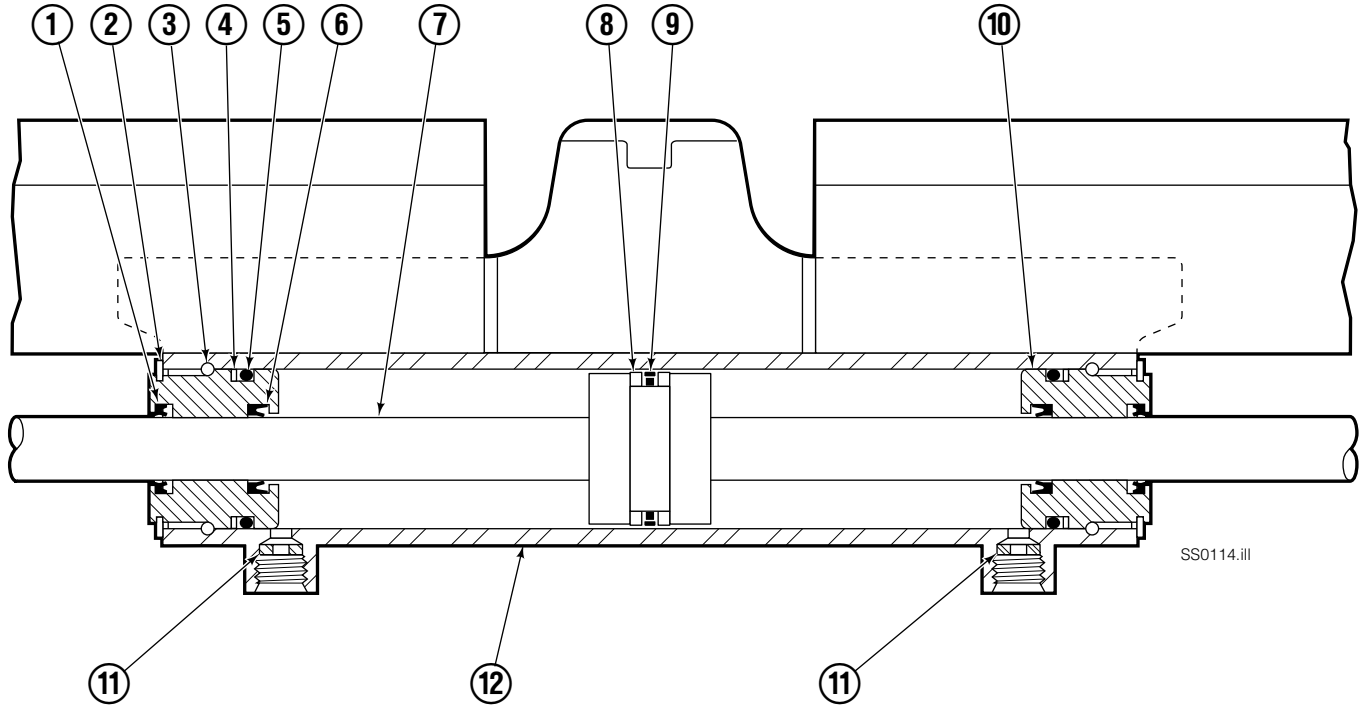
Reference: S-4643, S-4644.

Valve ITA Class III



| 55E | | | |
|-----|-----|----------|------------------------|
| REF | QTY | PART NO. | DESCRIPTION |
| | | 216838 | Valve Assembly |
| 1 | 1 | 219039 | Check Valve |
| 2 | 1 | — | Service Kit |
| 3 | 1 | 609234 | Plug |
| 4 | 1 | 216839 | Valve Body |
| 5 | 1 | 213535 | Crossover Relief Valve |
| 6 | 1 | 682170 | Service Kit |
| 7 | 1 | 219040 | Flow Divider/Combiner |
| 8 | 1 | — | Service Kit |

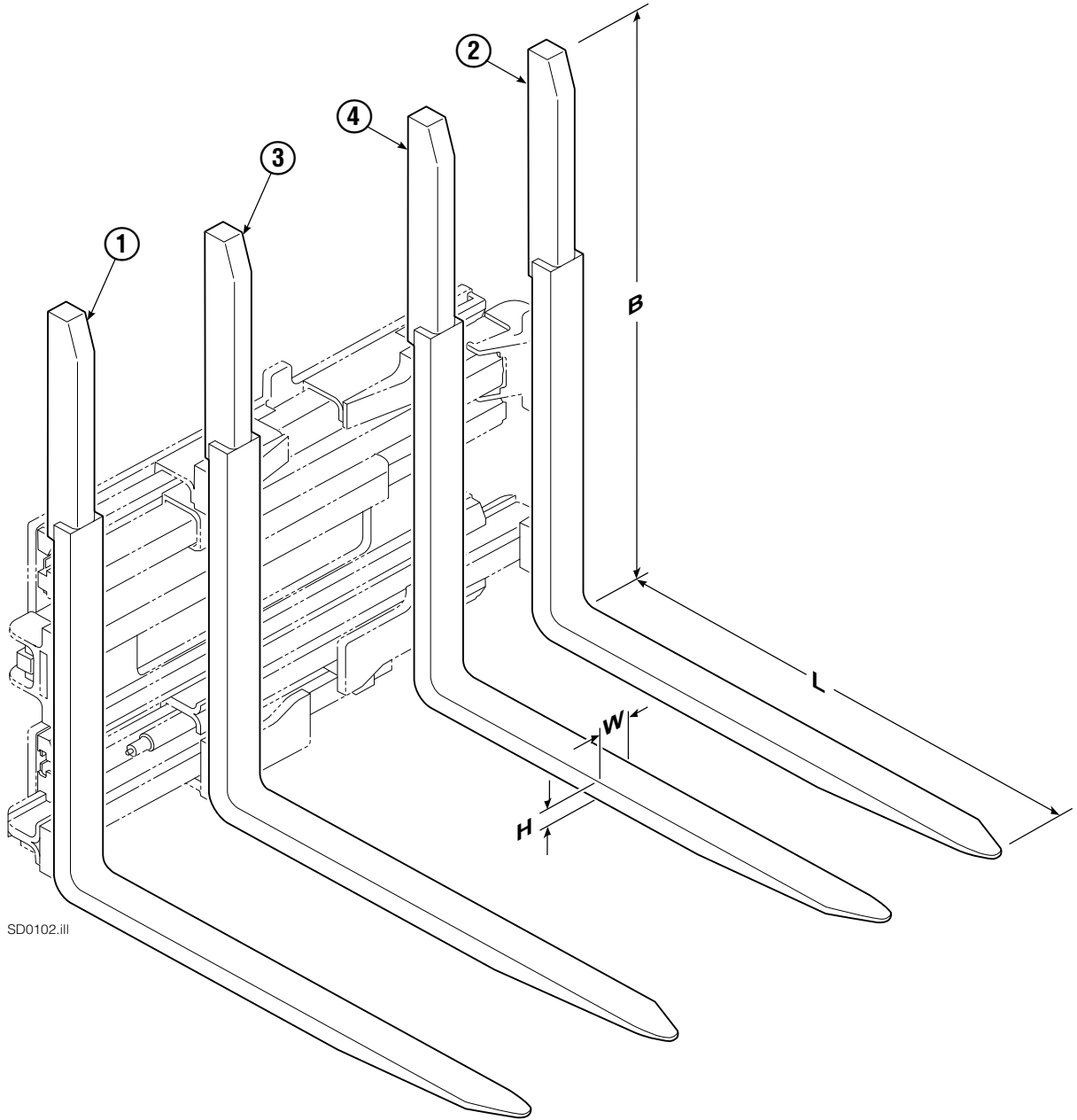
Sideshift Cylinder ITA Class II



| 55E | | | |
|-----|-----|----------|------------------------|
| REF | QTY | PART NO. | DESCRIPTION |
| | | 6105189 | Cylinder Assembly |
| 1 | 2 | 562131 | ● Wiper Seal |
| 2 | 2 | 562951 | Snap Ring |
| 3 | 2 | 562942 | Retaining Ring |
| 4 | 2 | 563388 | ● Back-Up Ring |
| 5 | 2 | 562127 | ● O-Ring |
| 6 | 2 | 562132 | ● Rod Seal |
| 7 | 1 | 562055 | Rod |
| 8 | 2 | 563278 | ● Bearing Ring |
| 9 | 1 | 564141 | ● Piston Seal |
| 10 | 2 | 562792 | Retainer |
| 11 | 2 | 564226 | Speed Control Washer ▲ |
| 12 | - | ■ | Cylinder Shell |
| | | 563487 | Service Kit |

- Included in Service Kit 563487.
- Not serviceable, order new cylinder assembly.
- ▲ Reference: S-6105, Restrictor Group 205369.

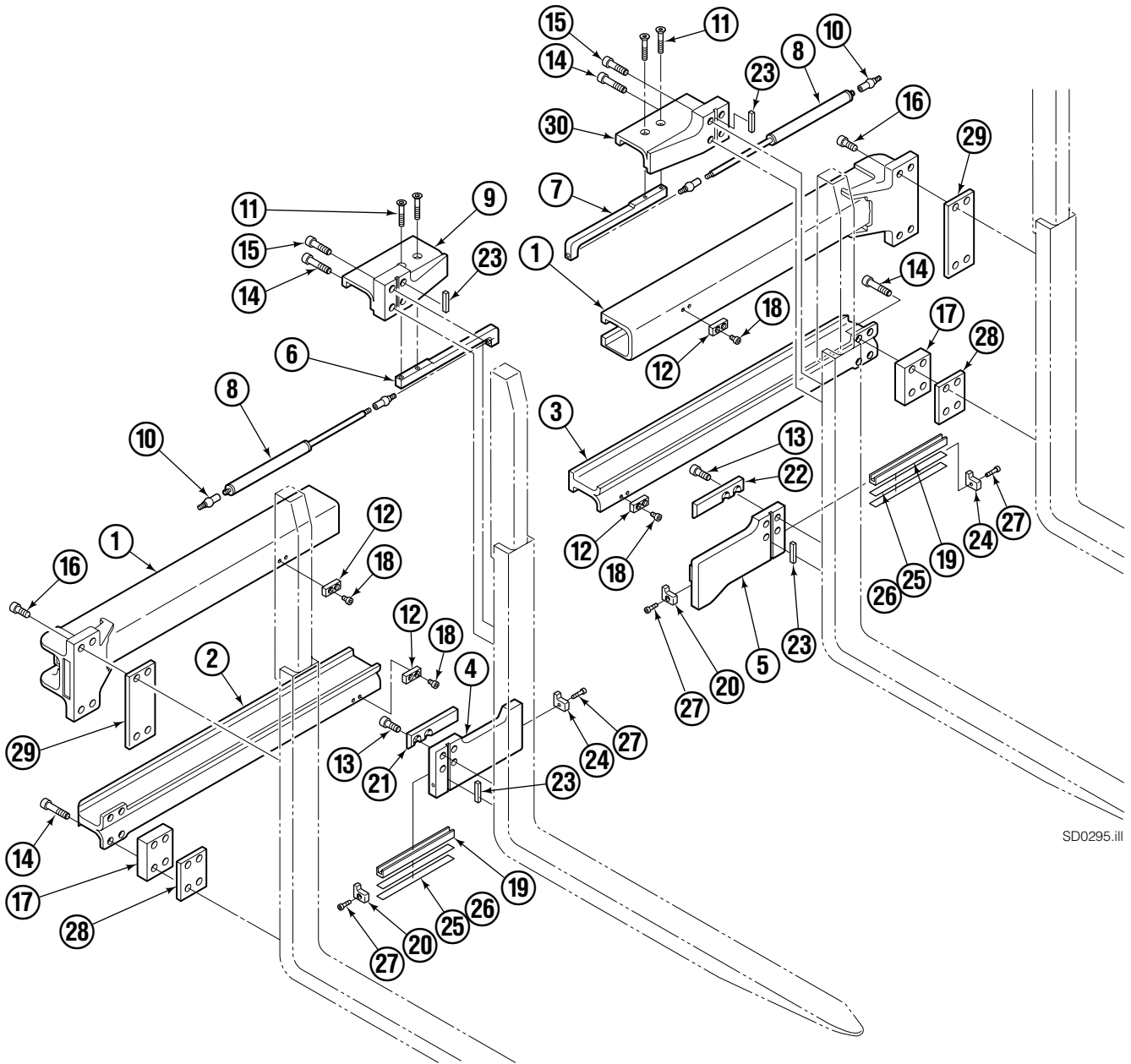
Tube Backrest/Fork Group



SD0102.iii

| 55E | | | | | | | | |
|------------|-----|-----|----|------------------------|---------------|---------------|---------------|---------------|
| SIZE (IN.) | | | | FORK GROUP PART NO. | REF 1 | REF 2 | REF 3 | REF 4 |
| L | W | H | B | | Outer Fork-RH | Outer Fork-LH | Inner Fork-RH | Inner Fork-LH |
| 42.1 | 3.2 | 1.8 | 48 | 212605 | 212761 | 212760 | 212801 | 212800 |

Arm Group



SD0295.ill

Arm Group

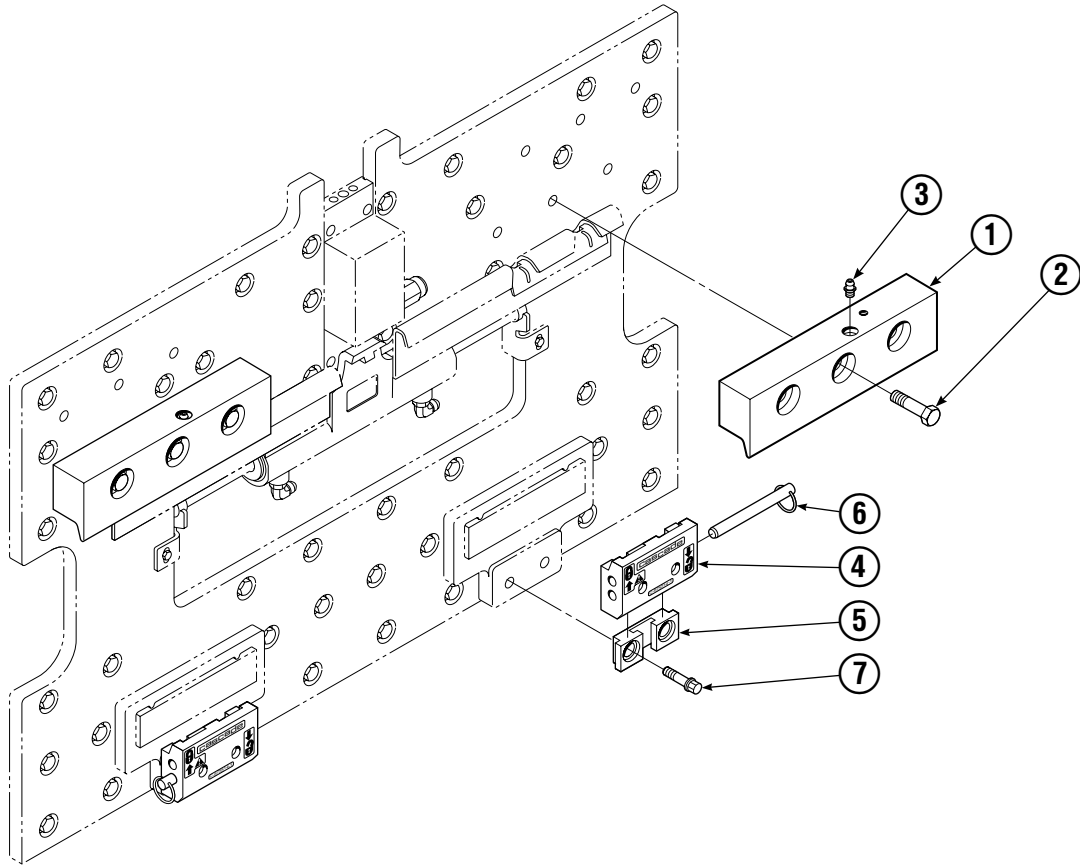
| REF | QTY | PART NO. | DESCRIPTION |
|-----|-----|------------|--------------------|
| | | 6104473 | Arm Group |
| 1 | 2 | 220177 | Upper Arm Bar |
| 2 | 1 | 220217 | Lower Arm Bar – RH |
| 3 | 1 | 220207 | Lower Arm Bar – LH |
| 4 | 1 | 220137 | Lower Hook – RH |
| 5 | 1 | 220140 | Lower Hook – LH |
| 6 | 1 | 28088-0405 | Bracket – RH |
| 7 | 2 | 28087-0405 | Bracket – LH |
| 8 | 2 | 6104267 | Gas Spring |

Common Parts

| REF | QTY | PART NO. | DESCRIPTION | REF | QTY | PART NO. | DESCRIPTION |
|-----|-----|-----------|--------------------|-----|-----|----------|-----------------------|
| 9 | 1 | 220095 | Upper Hook – RH | 20 | 2 | 212979 | Bearing Retainer |
| 10 | 2 | 213011 | Ball Joint | 21 | 1 | 212682 | Bearing – RH |
| 11 | 4 | 766646 | Capscrew, M10 x 20 | 22 | 1 | 213899 | Bearing – LH |
| 12 | 4 | 212687 | Fork Stop | 23 | 4 | 213364 | Key |
| 13 | 8 | 769574 | Capscrew, M16 x 35 | 24 | 2 | 213360 | Bearing Retainer |
| 14 | 12 | 769578 | Capscrew, M16 x 60 | 25 | 4 | 212559 | Shim, .04 in. (1 mm) |
| 15 | 4 | 769577 | Capscrew, M16 x 50 | 26 | 4 | 213913 | Shim, .02 in. (.5 mm) |
| 16 | 8 | 769573 | Capscrew, M16 x 30 | 27 | 4 | 787375 | Capscrew, M8 x 20 |
| 17 | 2 | 210587 | Spacer | 28 | 4 | 797611 | Spacer |
| 18 | 4 | 214414 | Capscrew, M10 x 12 | 29 | 4 | 797610 | Spacer |
| 19 | 2 | 4501-0222 | Bearing Segment | 30 | 1 | 6101471 | Upper Hook – LH |

Reference: SK-6373 and 6374. Common Parts Group 220285.

Mounting Group ITA Class III



SD0104.iii

| 55E | | | |
|-----|-----|---------------------|--------------------|
| REF | QTY | ITA III PART NO. | DESCRIPTION |
| | | 3001382 | Upper Hook Group ▲ |
| | | 6012866 | Lower Hook Group ★ |
| 1 | 2 | 219379 | Upper Hook |
| 2 | 6 | 678997 | Capscrew, M16x70 |
| 3 | 2 | 7403 | Grease Fitting |
| 4 | 2 | 675957 | Lower Hook |
| 5 | 2 | 675958 | Guide |
| 6 | 2 | 678832 | Pin |
| 7 | 4 | 221305 | Capscrew |

▲ Includes items 1 & 2.

★ Includes items 4, 5, 6 & 7.

Reference: SK-6116.

Do you have questions you need answered right now? Call your nearest Cascade Parts Department. Visit us online at www.cascorp.com

Cascade Corporation
2501 Sheridan Avenue
Springfield, OH 45505
Tel: 888-CASCADE (227-2233)
FAX: 888-329-0234

Cascade Canada Inc.
5570 Timberlea Blvd.
Mississauga, Ontario
Canada L4W-4M6
Tel: 905-629-7777
FAX: 905-629-7785

Cascade GmbH
D-41199 Monchengladbach
Klosterhofweg 52
Germany
Tel: 49-216-668230
FAX: 49-216-6682323

Cascade Finland
Albert Petreliuksenkatu 3
01370 Vantaa
Finland
Tel: 358-9-836-1925
FAX: 358-9-836-1935

**Cascade N.V.
European Headquarters**
P.O. Box 3009
1300 El Almere
Damluisweg 56
1332 ED Almere
The Netherlands
Tel: 31-36-5492911
FAX: 31-36-5492964

**Cascade N.V.
Benelux Sales and Service**
P.O. Box 3009
1300 El Almere
Damluisweg 56
1332 ED Almere
The Netherlands
Tel: 31-36-5492950
FAX: 31-36-5492974

Cascade (UK) Ltd.
15, Orgreave Crescent
Dore House Industrial Estate
Handsworth
Sheffield S13 9NQ
England
Tel: 742-697524
FAX: 742-695121

Cascade Scandinavia AB
Box 124
Hammarvägen 10
567 23 Vaggeryd
Sweden
Tel: 42-0-393-36950
FAX: 46-0-393-36959

Cascade Norway
Østerliveien 37A
1153 Oslo
Norway
Tel: 47-22-743160
FAX: 47-22-743157

Cascade France S.A.R.L.
1D Rue De Charaintru
BP 18, 91360 Epinay-Sur-Orge
Morangis Cedex, France
Tel: 33-1- 64547500
FAX: 33-1-64547501

Cascade Hispania S.A.
Carrer 5 Sector C
Zona Franca Duanera
Poligono de la Zon Franca
08040 Barcelona, Spain
Office No. 256
Tel: 93-264-07-30
FAX: 93-264-07-31

Cascade Japan Ltd.
5-5-41,
Torikai Kami
Settsu, Osaka
Japan, 566
Tel: 81-726-53-3490
FAX: 81-726-53-3497

Cascade Korea
108B, Namdong Ind Complex
658-3 Gojan-Dong
Namdong-Gu
Inchon, 405-310 Korea
Tel: 82-32-821-2051
FAX: 82-32-821-2055

Cascade Australia
1445 Ipswich Road
Rocklea, QLD 4106
Australia
Tel: 1-800227-223
FAX: (07) 3373-7333

Cascade New Zealand
15 Ra Ora Drive
East Tamaki, Auckland
New Zealand
Tel: 9-273-9136
FAX: 9-273-9137

Cascade (Africa) Pty. Ltd.
P.O. Box 625, Isando 1600
60A Steel Road
Sparton, Kempton Park
South Africa
Tel: 27-11-975-9240
FAX: 27-11-394-1147

Cascade-Xiamen
No. 668 Yangguang Rd.
Xinyang Industrial Zone
Haicang, Xiamen City
Fujian Province
P.R. China 361026
Tel: 86-592-651-2500
FAX: 86-592-651-2571

**Cascade (Singapore)
Trading Co.**
Four Seasons Park
Autumn Block - Apt. 1802
12 Cuscaden Walk
Singapore
Tel: 65-834-1935
FAX: 65-834-1936

