



Parts Manual

Model Revolving Fork Clamp

Catalog Number 50D-CFR-372

cascade®
corporation

For Technical Assistance call: 800-227-2233, Fax: 888-329-8207

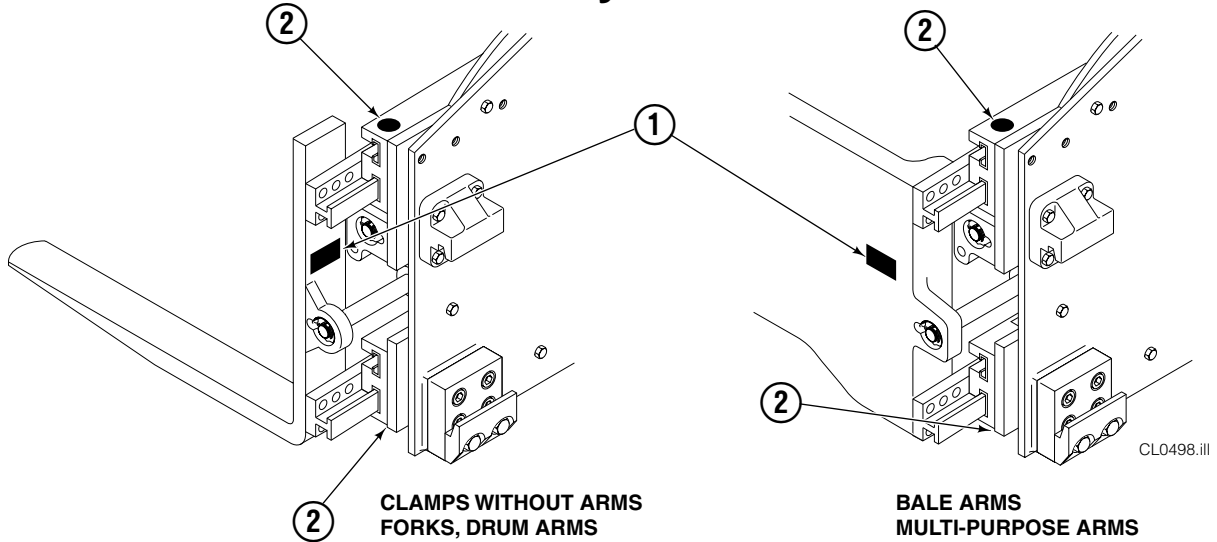
To Order Parts call: 888-227-2233, Fax: 888-329-0234

OR

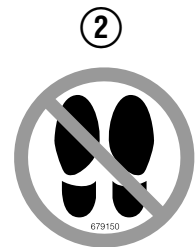
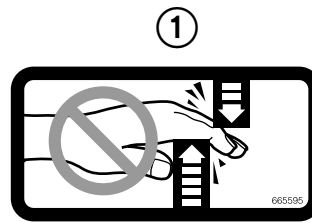
Write: Cascade Corporation, P.O. Box 20187, Portland, OR 97220

Internet: www.cascorp.com

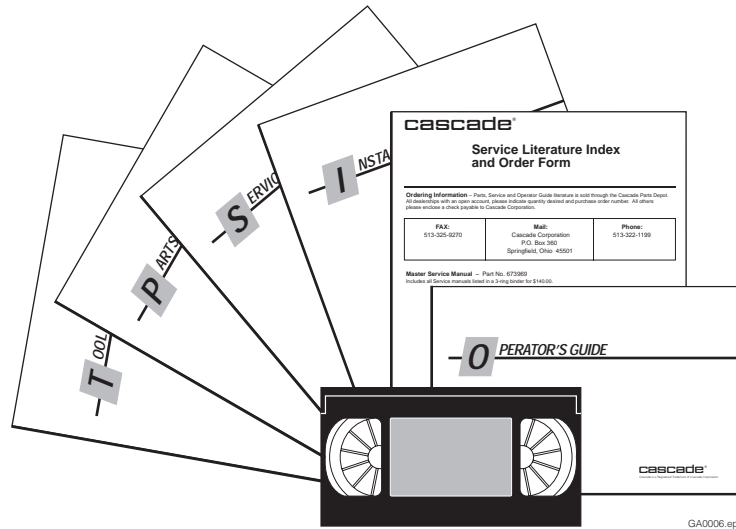
Safety Decals



REF	QTY	PART NO.	DESCRIPTION
1	2	665595	No Hand Hold Decal
2	2	679150	No Step Decal

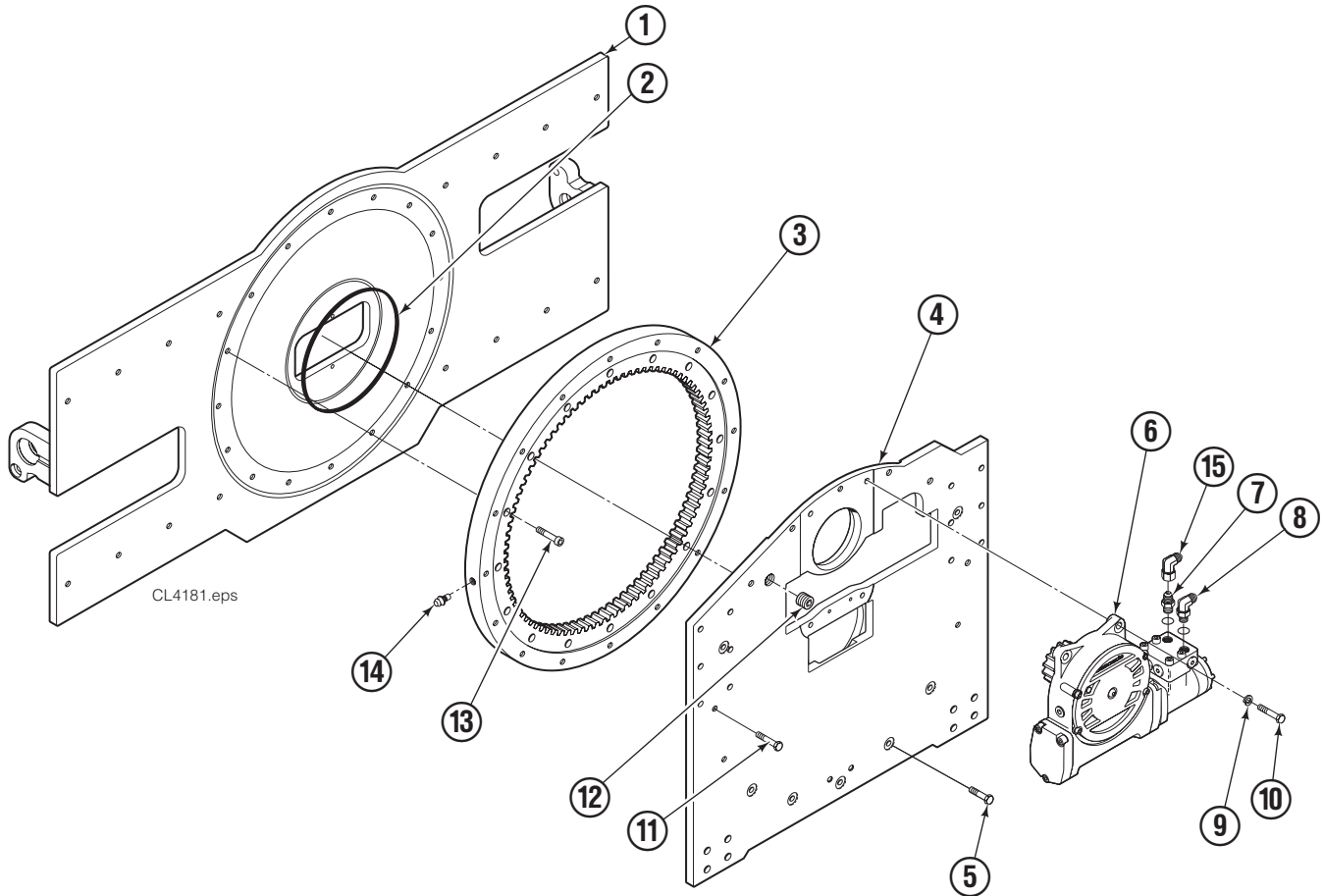


Publications



PART NO.	DESCRIPTION
672362	Service Manual
672903	Operators Guide
672361	Installation Instructions
680664	Servicing Cascade Cylinders-VHS
679929	Tool Catalog
673964	Literature Index Order Form

Base Unit Group



50D			
REF	QTY	PART NO.	DESCRIPTION
		6071286	Base Unit Group
1	1	6071213	Faceplate
2	1	670931	Seal
3	1	672828	◆ Bearing Assembly
4	1	687229	Baseplate
5	7	643538	Capscrew, 1/2 x 1.50
6	1	795491	Drive Group ■
7	1	601377	Fitting, 8-8
8	1	601250	Fitting, 8-8
9	4	6290	Lockwasher, 1/2
10	4	661742	Capscrew, 1/2 x 1.25
11	9	643539	Capscrew, 1/2 x 1.75
12	1	6605	Plug
13	16	4505	◆ Capscrew, 1/2 x 1.25
14	1	7401	Grease Fitting
15	1	605761	Fitting, 8-8
		672481	Bearing Service Kit

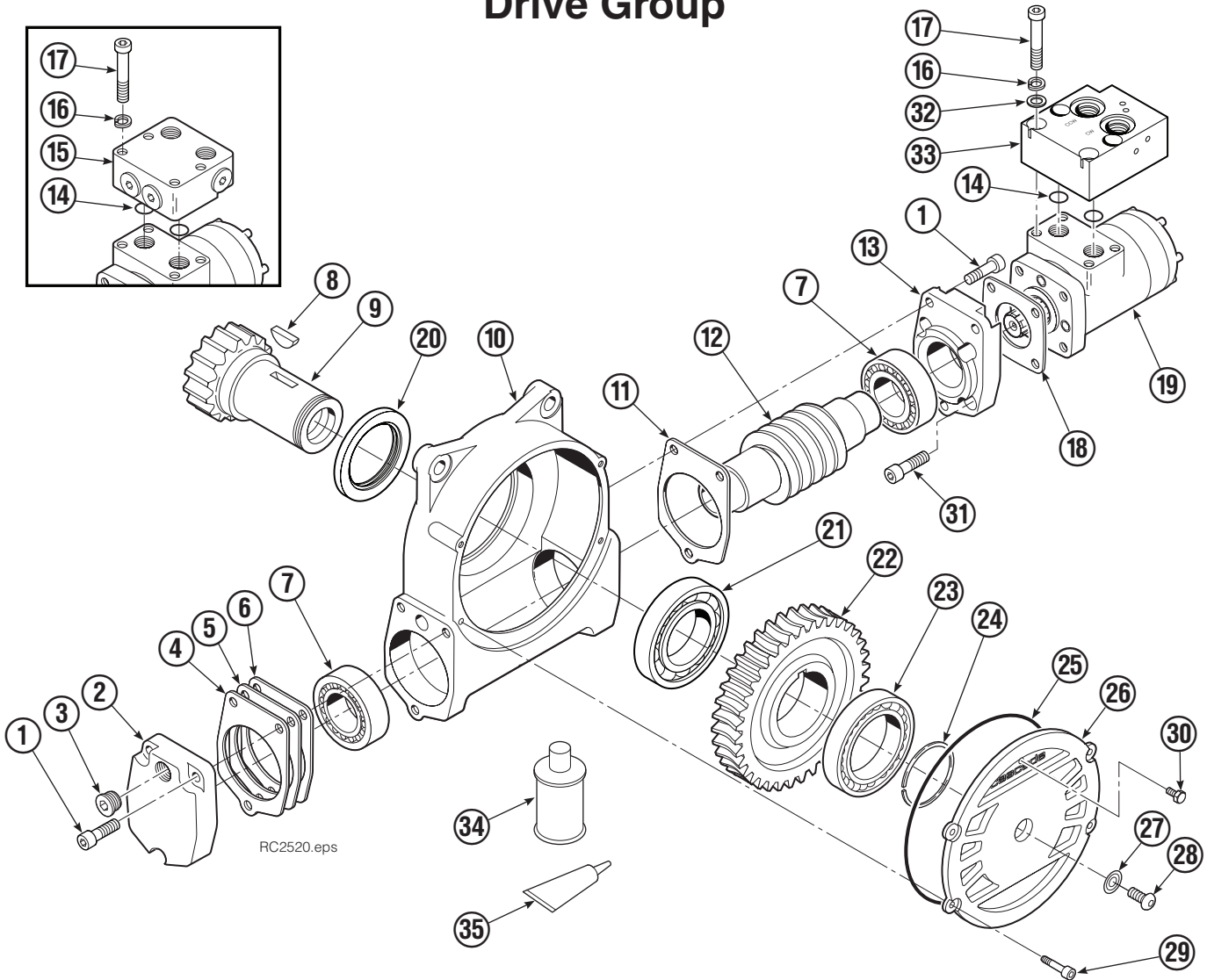
■ See Drive Group page for parts breakdown.

◆ Included in Bearing Service Kit 672481.

Reference: Common Parts Group 680700,

Fastener Kit 699003, SK-5649.

Drive Group



REF	QTY	PART NO.	DESCRIPTION	REF	QTY	PART NO.	DESCRIPTION
		795491	Drive Group with 2.8 c.i. Motor	19	1	206392	Drive Motor – 2.8 c.i. ■
1	6	769570	Capscrew, M12 x 25	20	1	3014870	Seal
2	1	676855	Cover	21	1	6033892	Bearing ★
3	1	604510	Fitting, 6	22	1	675609	Worm Gear
4	●	670574	Shim – .010" (brown)	23	1	670581	Bearing
5	●	671757	Shim – .015" (pink)	24	1	7214	Snap Ring
6	●	671758	Shim – .020" (yellow)	25	1	643423	O-Ring
7	2	670579	Bearing	26	1	775552	Cover
8	1	670582	Key	27	1	783609	Seal
9	1	670506	Pinion	28	1	783608	Capscrew, M10 x 16
10	1	775551	Housing	29	4	200882	Capscrew, M8 x 20
11	1	686465	Gasket	30	1	644010	Relief Fitting
12	1	675608	Worm	31	4	4468	Capscrew, 3/8 x .75
13	1	775553	Adapter	32	4	221494	Washer, M8
14	2	2705	O-Ring	33	1	6063316	Check Valve ◆
15	1	670549	Check Valve ◆	34	1	656300	Gear Box Lube – 48 oz.
16	4	6444	Lockwasher	35	1	668184	Sealant
17	4	607059	Capscrew, 5/16 x 1.75			670578	Shim Service Kit (items 4-6,11,25,35)
18	1	670575	Gasket			206394	Motor Kit–2.8 (items 11,14,18,19,35)

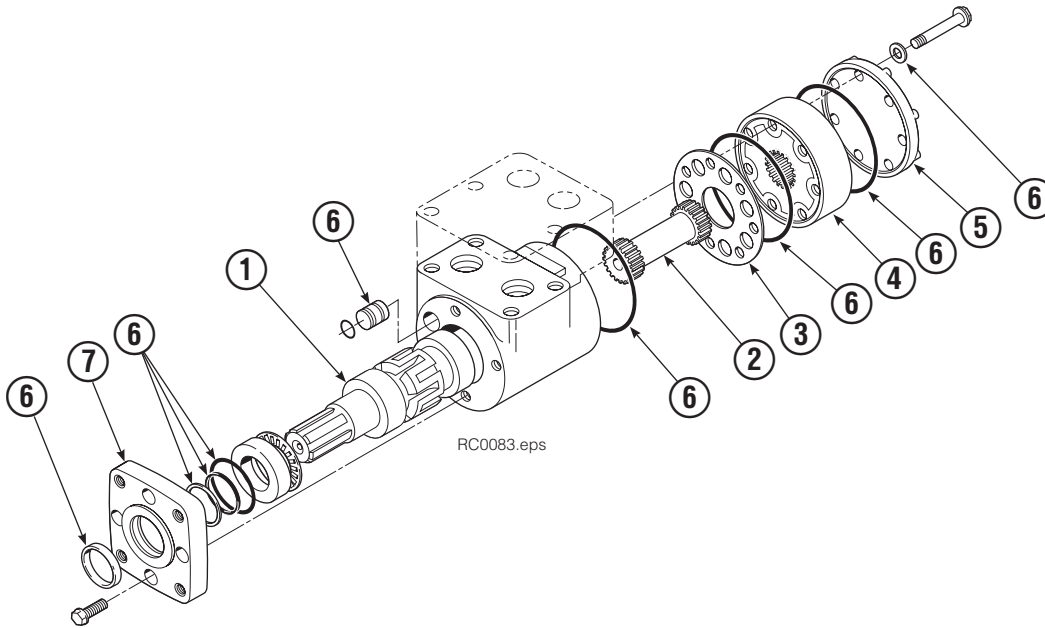
● Quantity as required.

◆ See Valve page for parts breakdown.

■ See Drive Motor page for parts breakdown.

★ For service replacement use Bearing 670580.

Drive Motor

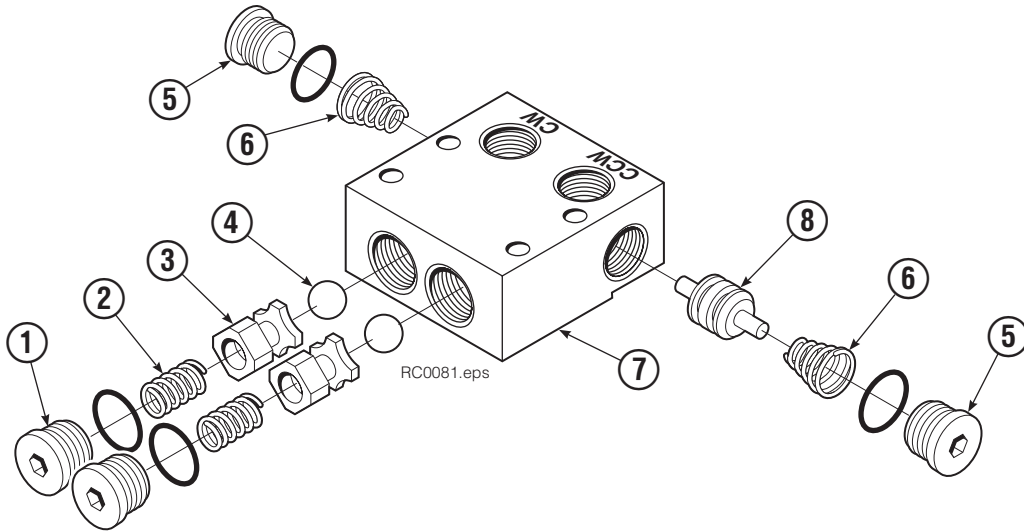


REF	QTY	PART NO.	DESCRIPTION
		206392	Drive Motor – 2.8 c.i.
1	1	675478	Shaft
2	1	675477	Drive
3	1	675479	Spacer Plate
4	1	675480	Gerotor Set (101-1768-007) ■
	1	685075	Gerotor Set (101-1768-009) ■
5	1	675482	End Cap
6	1	206405	Service Kit ●
7	1	685089	Flange (101-1768-007) ■
	1	685090	Flange (101-1768-009) ■

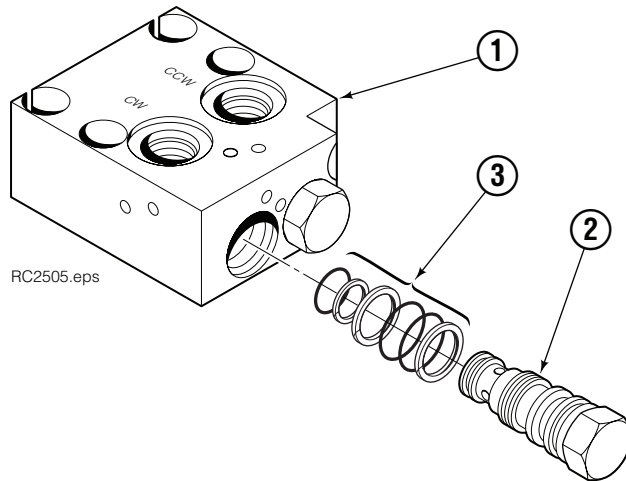
Cascade provides service replacement parts for the listed parts only. Due to cost, if other parts need replacement, the complete drive motor should be replaced.

- See Nameplate under valve for correct part number of Gerotor Set and Flange.
- Compatible with water glycol based hydraulic fluids.

Check Valve

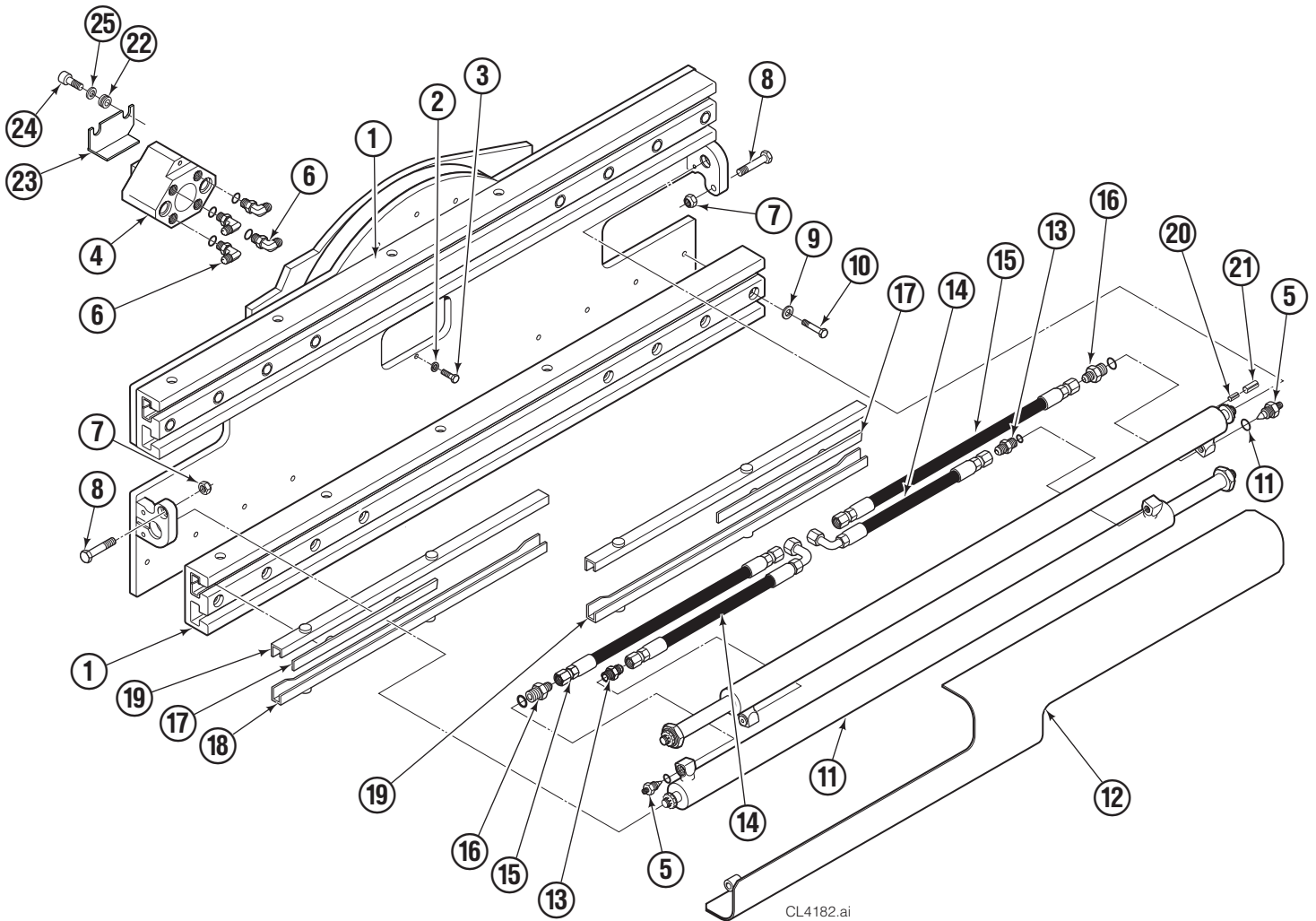


REF	QTY	PART NO.	DESCRIPTION
		670549	Check Valve Assembly
1	2	609453	Fitting, 10
2	2	670552	Spring
3	2	670551	Guide
4	2	7020	Ball
5	2	602580	Fitting, 8
6	2	673989	Spring
7	1	670550	Body
8	1	670553	Spool



REF	QTY	PART NO.	DESCRIPTION
		6063316	Check Valve Assembly
1	1	6063282	Valve Body
2	2	6038929	Check Valve – PO
3	2	667516	Service Kit

Clamp Components



50D							
REF	QTY	PART NO.	DESCRIPTION	REF	QTY	PART NO.	DESCRIPTION
		6091036	Clamp Components	13	2	611288	Fitting, 6-8
1	2	327971	Frame	14	2	659224	Hose, 8.86 in.
2	2	686119	Lockwasher, M8	15	2	688700	Hose, 26.60 in.
3	2	765352	Capscrew, M8 x 30	16	2	686369	Fitting
4	1	686420	Revolving Connection ■	17	4	667663	Bearing
5	2	667609	Restrictor Cartridge ●	18	4	668904	Bearing
6	4	601676	Fitting, 6-6	19	4	668905	Bearing
7	2	665707	Nut, 1/2	20	2	768953	Roll Pin - Inner
8	2	3660	Capscrew, 1/2 x 2.75	21	2	769009	Roll Pin - Outer
9	16	667225	Washer, 5/8	22	2	208765	Grommet
10	16	667644	Capscrew, 5/8 x 3.25	23	1	209067	End Block Bracket
11	2	394068	Cylinder ◆	24	2	665992	Shoulder Bolt
12	1	6091042	Bumper	25	2	209021	Washer, M10

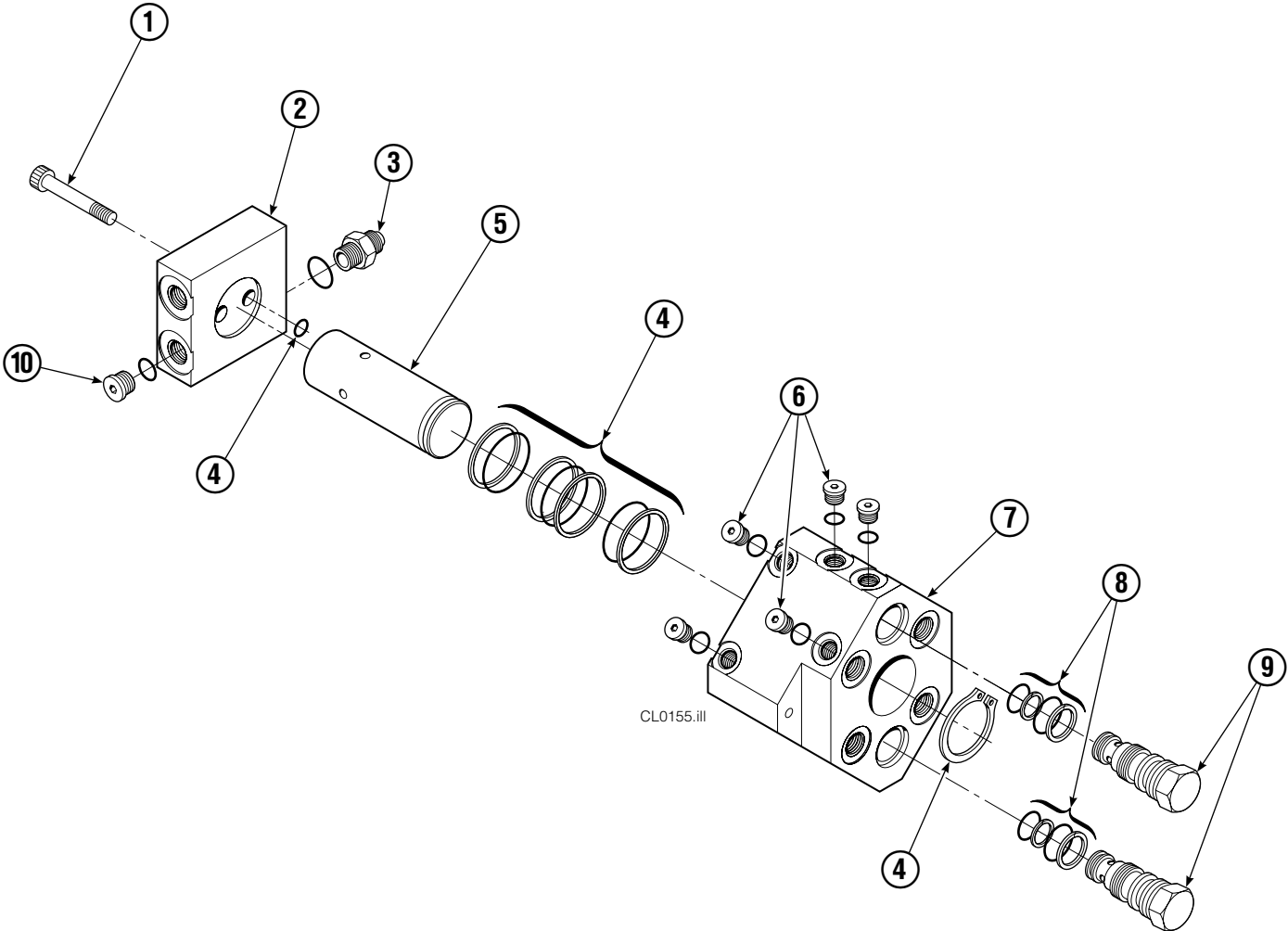
■ See Revolving Connection page for parts breakdown.

● See Restrictor Cartridge page for parts breakdown.

◆ See Cylinder page for parts breakdown.

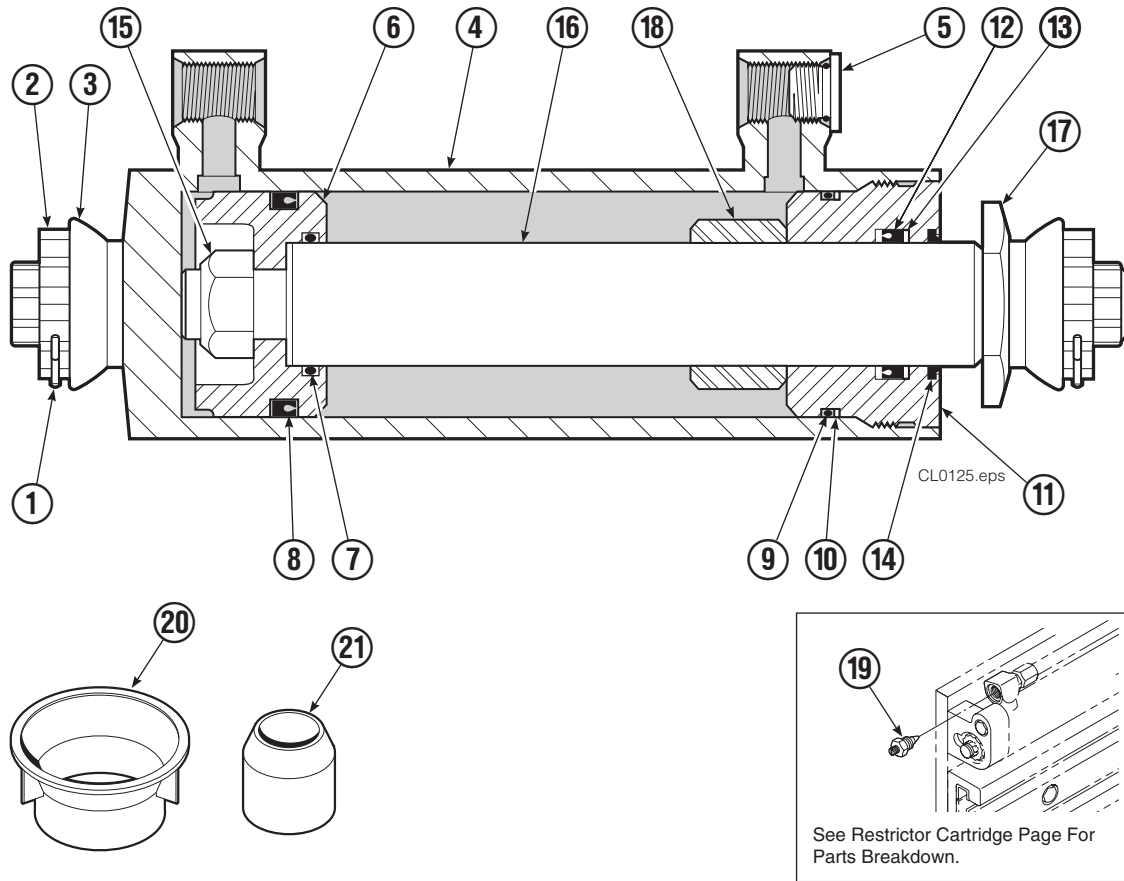
Reference: SK-5659.

Revolving Connection



35D/50D			
REF	QTY	PART NO.	DESCRIPTION
		686420	Revolving Connection
1	2	768795	Capscrew, M8 x 1,25 x 30 x 8.8
2	1	686421	End Block
3	2	604511	Fitting, 6-6
4	1	687237	Service Kit
5	1	686422	Shaft
6	5	663694	Fitting, 3
7	1	686423	Body
8	2	667516	Check Valve Service Kit
9	2	678376	Check Valve
10	2	604510	Fitting, 6

Cylinder Assembly

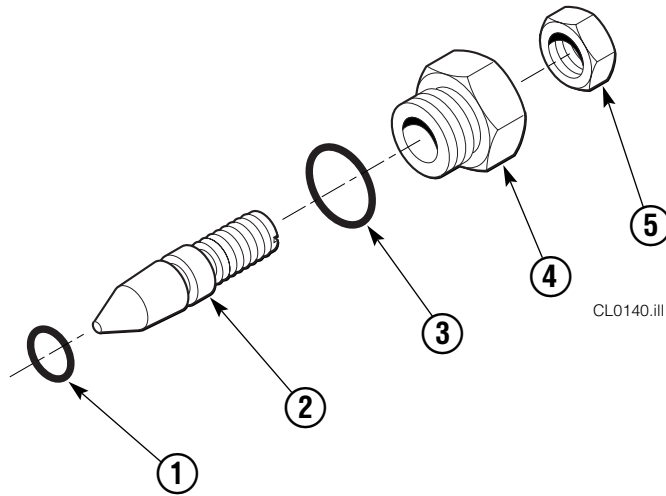


50D							
REF	QTY	PART NO.	DESCRIPTION	REF	QTY	PART NO.	DESCRIPTION
		394068	Cylinder Assembly	12	1	662451	◆ Seal
1	2	6511	■ Cotter Pin	13	1	638246	◆ Nylon Ring
2	2	667667	■ Retainer	14	1	564930	◆ Wiper
3	2	667668	■ Nut	15	1	561012	Nut
4	1	565344	Shell	16	1	565345	Rod
5	1	602580	Fitting	17	1	667676	Washer
6	1	558402	Piston	18	1	—	Spacer
7	1	2722	◆ O-Ring	19	1	667609	Restrictor Cartridge ●
8	1	662457	◆ Seal	20	1	671049	◆ Seal Loader, Piston
9	1	2791	◆ O-Ring	21	1	671052	◆ Seal Loader, Retainer
10	1	615134	◆ Back-Up Ring			667723	Service Kit
11	1	667675	Retainer				

■ Included in Nut Service Kit 668925.
Reference: S-7642, S-7666.

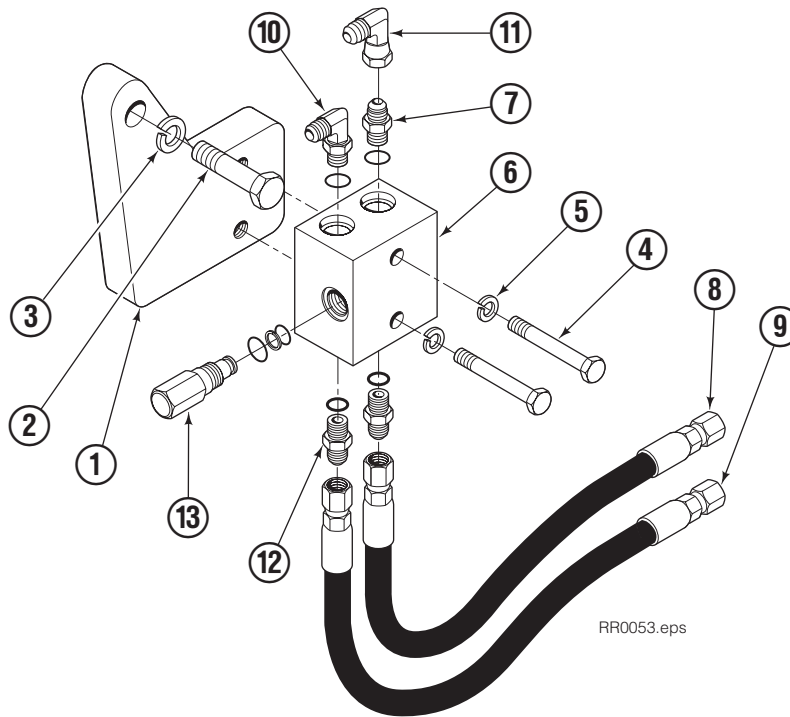
▲ Included in Service Kit 667723.
● Not included in Cylinder Assembly.

Restrictor Cartridge



REF	QTY	PART NO.	DESCRIPTION
		667609	Restrictor Cartridge
1	1	2701	O-Ring
2	1	667611	Plunger
3	1	2841	O-Ring
4	1	667610	Plug - Special
5	1	5716	Jam Nut

Valve Group

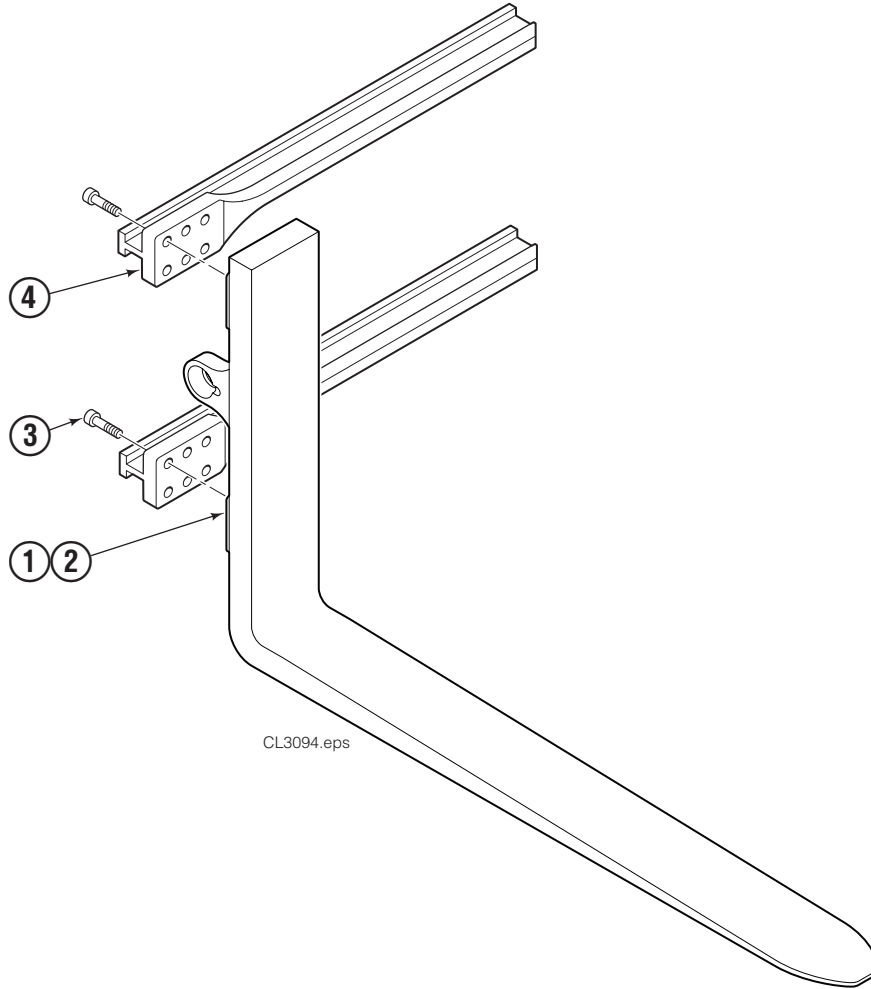


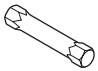
RR0053.eps

REF	QTY	PART NO.	DESCRIPTION
		689952	Valve Group
		679888	Valve Assembly (items 6 & 13)
1	1	679934	Plate
2	1	645636	Capscrew, 1/2 x 2.25
3	1	6290	Lockwasher
4	2	643519	Capscrew, 5/16 x 2.50
5	2	6287	Lockwasher
6	1	679889	Valve Body
7	1	601377	Fitting, 8-8
8	1	206479	Hose, 8.00 in.
9	1	210351	Hose, 10.50 in.
10	1	601250	Fitting, 8-8
11	1	605761	Fitting, 8-8
12	2	611288	Fitting, 6-8
13	1	679890	Relief Valve

Reference: SK-5706.

Fork Group

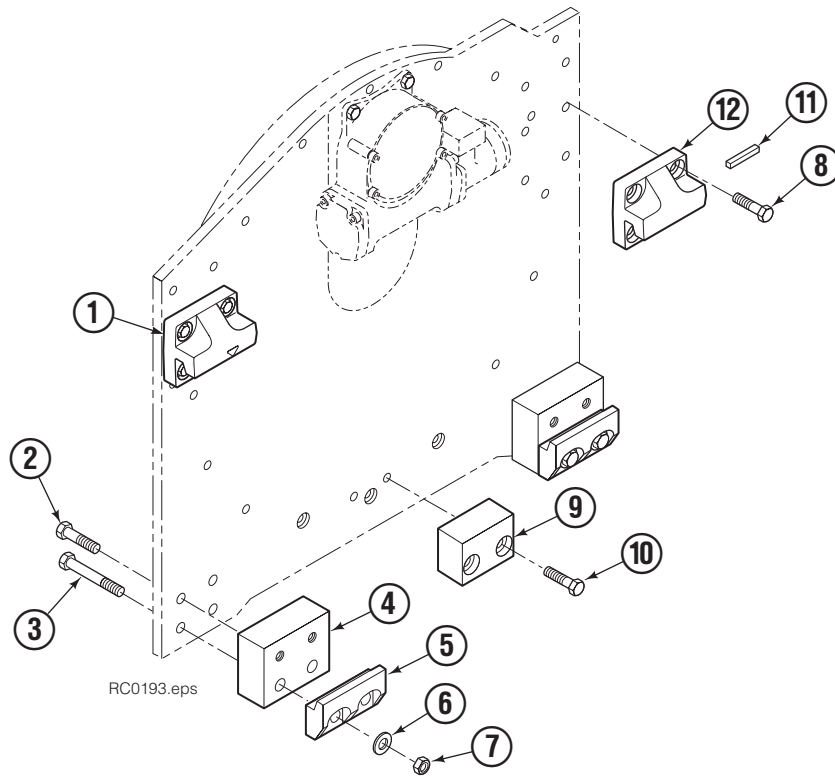


ARM CAPSCREW EXTENSION TOOL Required for Proper Torquing of Capscrews		
	50D	667699

50D			
REF	QTY	PART NO.	DESCRIPTION
		6091035	Fork Group ♦
1	1	6091033	Fork – LH
2	1	6091034	Fork – RH
3	24	607105	Capscrew, .75 x 2.00
4	4	667700	Arm Bar

♦ Includes items 1 – 3 only.

Bolt-On Mounting Group



Class III, 0°			
REF	QTY	PART NO.	DESCRIPTION
		680632	Mounting Group
1	1	670527	Upper Hook – LH
2	4	641284	Capscrew, .625 x 2.25
3	4	669305	Capscrew, .625 x 5.00
4	2	682068	Spacer
5	2	675969	Lower Hook
6	4	667225	Washer
7	4	676281	Nut, .625
8	8	667369	Capscrew, .625 x 1.25
9	1	682067	Center Spacer
10	2	677828	Capscrew, .50 x 1.00
11	1	669344	Stop Block Kit
12	1	670528	Upper Hook – RH

Do you have questions you need answered right now? Call your nearest Cascade Parts Department. Visit us online at www.cascorp.com

**Cascade Corporation
U.S. Headquarters**
2201 NE 201st
Fairview, OR 97024-9718
Tel: 800-CASCADE (227-2233)
FAX: 888-329-8207

Cascade Canada Inc.
5570 Timberlea Blvd.
Mississauga, Ontario
Canada L4W-4M6
Tel: 905-629-7777
FAX: 905-629-7785

Cascade GmbH
Niederwippekühl 1
58579 Schalksmühle
Germany
Tel: 02355-50900
FAX: 02355-509020

Cascade Finland
A. Petreliuksenkatu 3
01370 Vantaa
Finland
Tel: 09-8361925
FAX: 09-8361935

**Cascade N.V.
Benelux Sales and Service**
Damsluisweg 56
PO Box 3009
1300 El Almere
The Netherlands
Tel: 036-5492950
FAX: 036-5492974

Cascade Kenhar Ltd.
3 Kelbrook Road
Parkhouse Ind. Estate
Openshaw,
Manchester M11 2DD
England
Tel: 0800-243015
FAX: 0161-4384055

**Sales Scotland
Macade Systems Ltd.**
18 Melford Road
Righead Ind. Estate
Bellshill ML4 3LR
Scotland
Tel: 01698-845777
FAX: 01698-845888

Cascade (Africa) Pty. Ltd.
PO Box 625, Isando 1600
60A Steel Road
Sparton, Kempton Park
South Africa
Tel: 27-11-975-9240
FAX: 27-11-394-1147

Cascade Scandinavia AB
Hammarvägen 10
PO Box 124
S-56723 Vaggeryd
Sweden
Tel: 039-336950
FAX: 039-336959

**Cascade France
S.A.R.L. MHP**
1D Rue De Charaintru BP 18,
91360 Epinay-Sur-Orge
France
Tel: 01-6454-7500
FAX: 01-6454-7501

Cascade Hispania S.A.
Carrer 5, Sector C
Zona Franca Duanera
Poligono de la Zona Franca
08040 Barcelona, Spain
Tel: 93-264-07-30
FAX: 93-264-07-31

Cascade Italia S.R.L.
Via Dell'Artigianato 1
37050 Vago di Lavagno (VR)
Italy
Tel: 39-045-8989111
FAX: 39-045-8989160

Movimenta Lda.
Parque Industrial
Vale do Alecrim, Lote 108
2950-403 Palmela
Portugal
Tel: 351-212387340
FAX: 351-212387349

**Sales Switzerland
Fahrzeugbedarf**
8810, Horgen
Switzerland
Tel: 01-7279797
FAX: 01-7279798

Sales Poland
Targowa 35/61
03-728 Warszawa
Tel: 022-619 00 49
FAX: 022-619 00 49
Mobile Tel: 0501-27 29 55

Sales Russia
EMCG Material Handling
Equipment
Moscow
Tel: 095-795-2400
FAX: 095-795-2475
Email: emcg@emcg.ru

Cascade Japan Ltd.
5-5-41,
Torikai Kami
Settsu, Osaka
Japan, 566
Tel: 81-726-53-3490
FAX: 81-726-53-3497

Cascade Korea
121B 9L Namdong Ind.
Complex, 691-8 Gojan-Dong
Namdong-Ku
Inchon, 405-310 Korea
Tel: 82-32-821-2051
FAX: 82-32-821-2055

Cascade Australia
1445 Ipswich Road
Rocklea, QLD 4107
Australia
Tel: 1-800-227-223
FAX: 617-3373-7333

Cascade New Zealand
15 Ra Ora Drive
East Tamaki, Auckland
New Zealand
Tel: 64-9-273-9136
FAX: 64-9-273-9137

Cascade-Xiamen
No. 668 Yangguang Rd.
Xinyang Industrial Zone
Haicang, Xiamen City
Fujian Province
P.R. China 361026
Tel: 86-592-651-2500
FAX: 86-592-651-2571

**Sunstream Industries
Pte Ltd.**
No. 3 Tuas Link 1
2263
Singapore
Tel: 65-6863-3488
FAX: 65-6863-1368

**Cascade do Brasil
Distribuidora de Garras
e Garfos LTDA**
Rua João Guerra, 134
Macuco, Santos - SP
Brasil 11015-130
Tel: 55-13-2105-8800
Fax: 55-13-2105-8899

