



# Parts Manual

---

Model \_\_\_\_\_ Fork Positioner

Catalog Number \_\_\_\_\_ 85D-FPB-04B R2

---

**cascade**®  
**corporation**

**For Technical Assistance call:** 800-227-2233, Fax: 888-329-8207

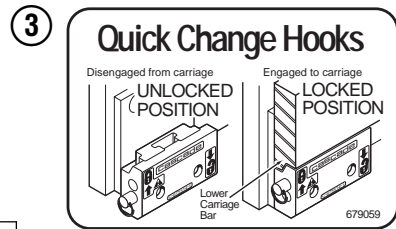
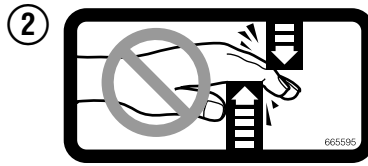
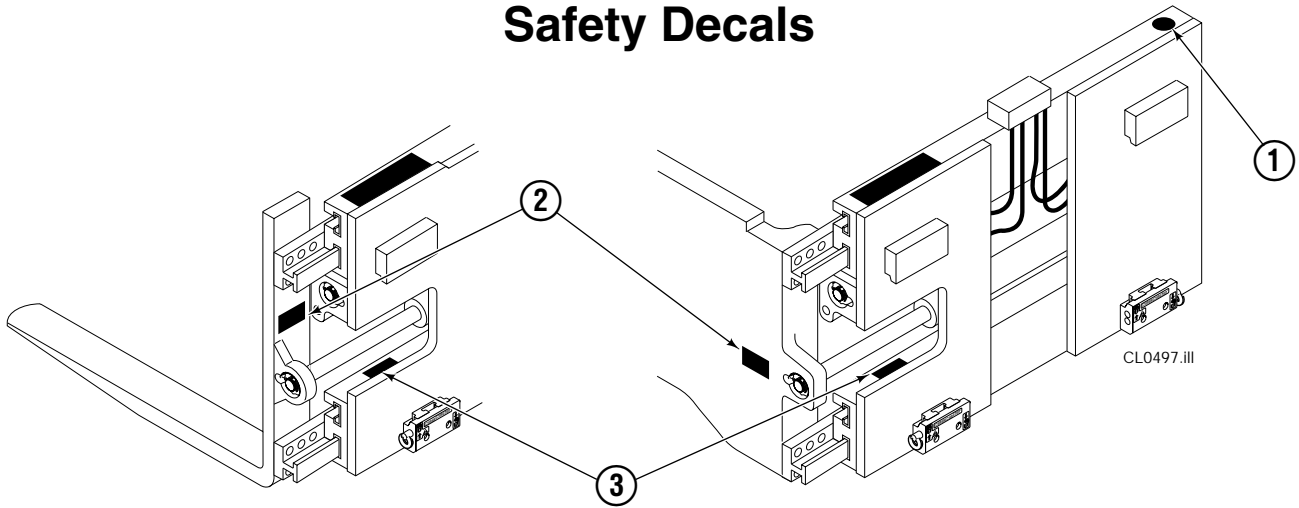
**To Order Parts call:** 888-227-2233, Fax: 888-329-0234

**OR**

**Write:** Cascade Corporation, P.O. Box 20187, Portland, OR 97220

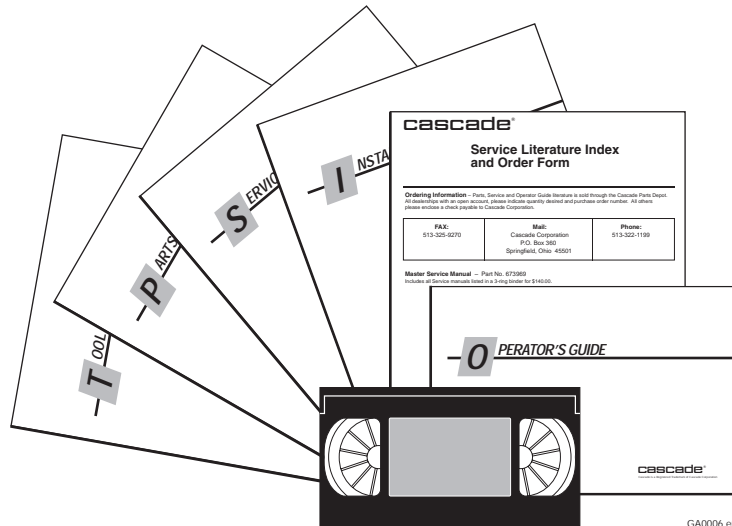
**Internet:** [www.cascorp.com](http://www.cascorp.com)

# Safety Decals



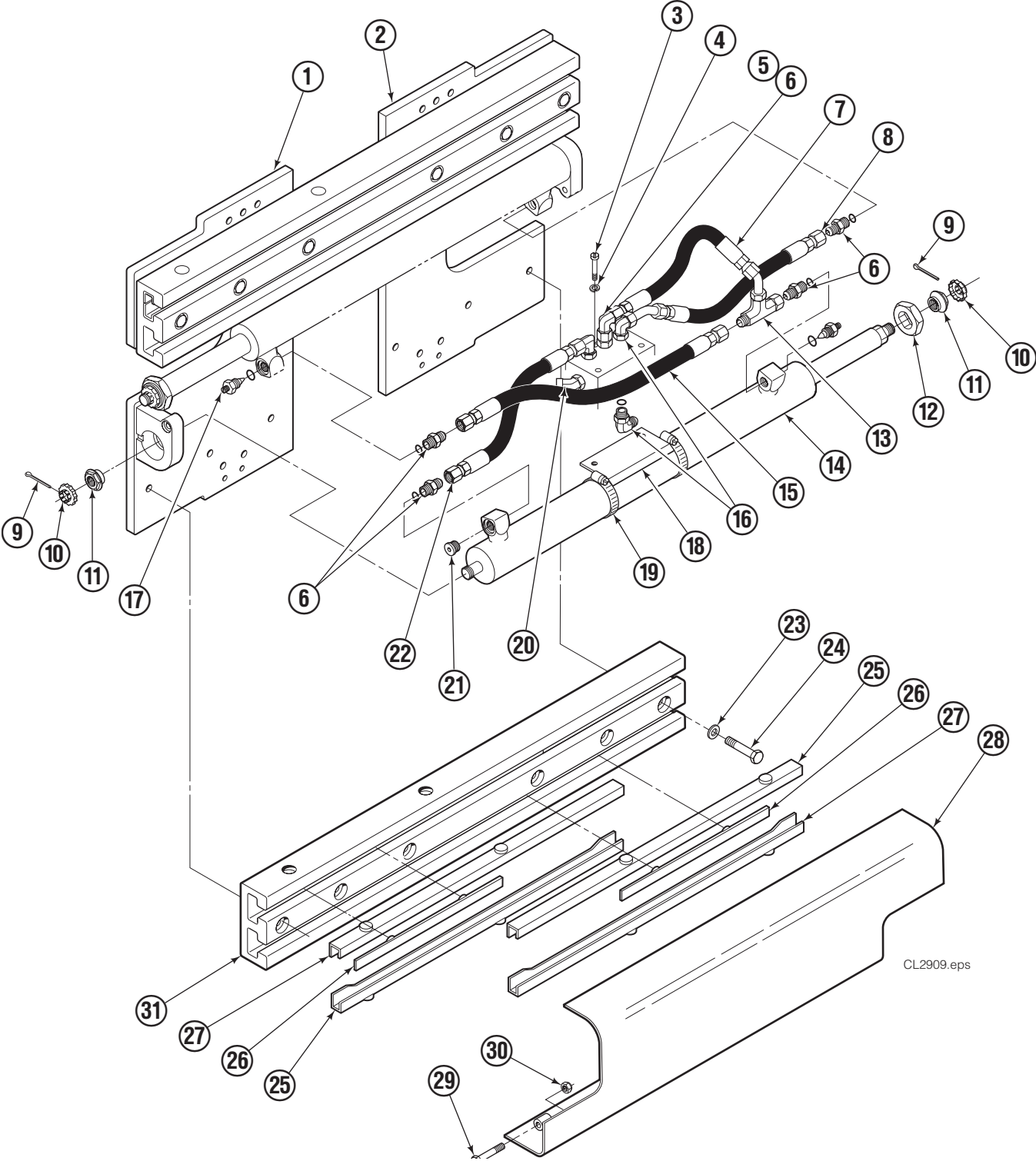
REF	QTY	PART NO.	DESCRIPTION
1	1	679150	No Step Decal
2	2	665595	No Hand Hold Decal
3	1	679059	Quick Change Hook Decal

# Publications



PART NO.	DESCRIPTION
669224	Service Manual
672944	Operators Guide
668987	Installation Instructions
680664	Servicing Cascade Cylinders-VHS
679929	Tool Catalog
673964	Literature Index Order Form

# Base Unit Group



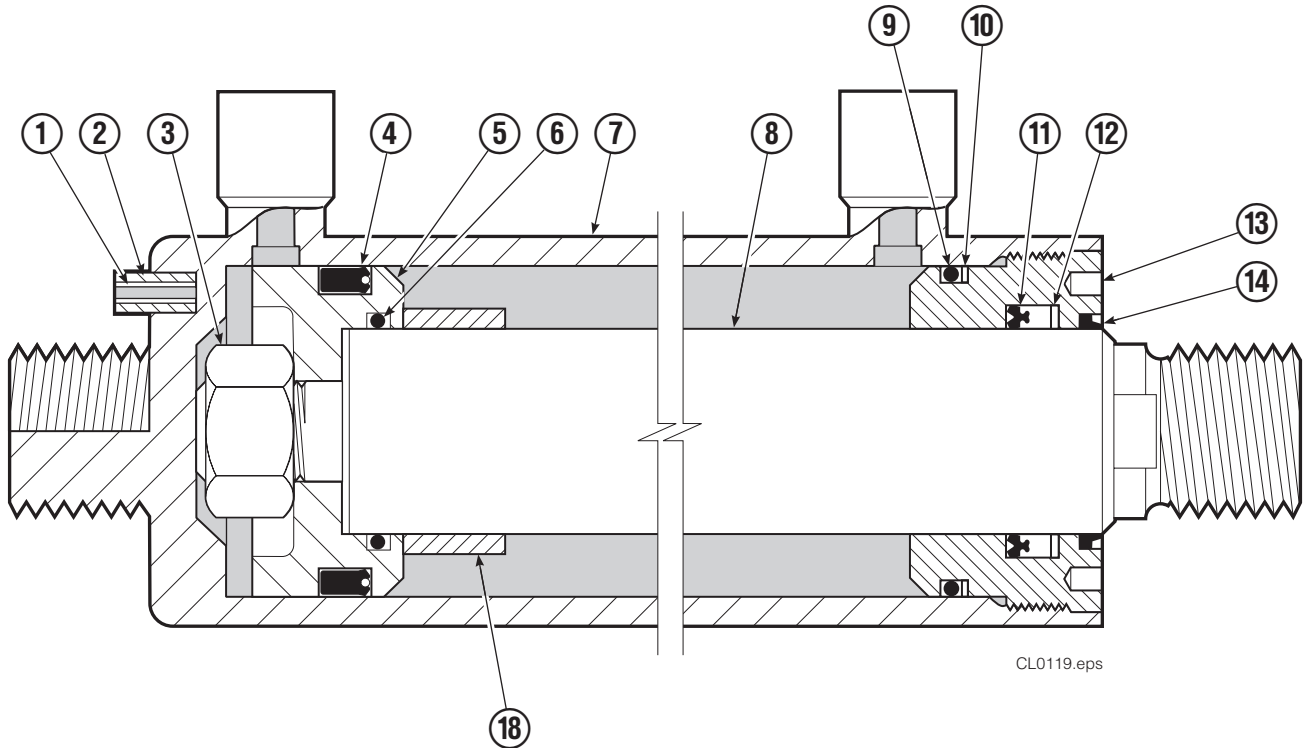
CL2909.eps

# Base Unit Group

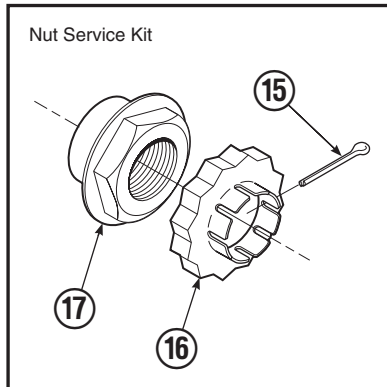
85D			
REF	QTY	PART NO.	DESCRIPTION
		682460	Base Unit Group
1	1	682456	Mounting Plate – RH
2	1	682452	Mounting Plate – LH
3	2	768529	Capscrew, M8 x 60
4	2	6287	Lockwasher, 5/16
5	1	605761	Fitting, 8-8
6	5	601377	Fitting, 8-8
7	1	681761	Hose, 9.50 in.
8	1	676111	Hose, 18.25 in.
9	4	6513	■ Cotter Pin
10	4	676110	■ Retainer
11	4	676109	■ Nut
12	2	676108	Washer
13	1	611330	Fitting, 8-8
14	2	676429	Cylinder ◆
15	1	676113	Hose, 17.00 in.
16	3	601250	Fitting, 8-8
17	2	667609	Restrictor Cartridge ●
18	1	676115	Bracket
19	2	644588	Clamp
20	1	611303	Fitting, 8-8
21	2	602580	Fitting, 8
22	1	676114	Hose, 18.50 in.
23	8	670692	Washer, 13/16
24	8	676793	Capscrew, M20 x 100
25	4	676104	Bearing
26	4	667663	Bearing
27	4	676105	Bearing
28	1	676106	Bumper
29	2	768560	Capscrew, M12 x 80
30	2	773842	Nut, M12
31	2	676103	Frame
		678036	Nut Service Kit

- Included in Nut Service Kit 678036.
  - ◆ See Cylinder page for parts breakdown,
  - See Restrictor Cartridge page for parts breakdown.
- Reference: Common Parts 676794, S-3337, S-3338, SK-5055.

# Cylinder Assembly



CL0119.eps



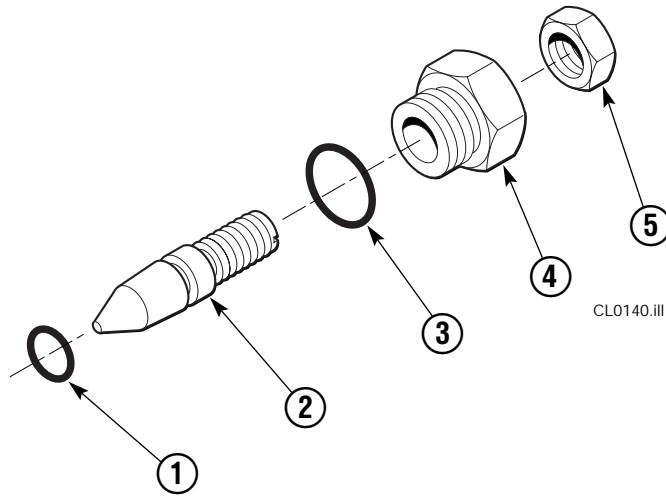
85D			
REF	QTY	PART NO.	DESCRIPTION
		676429	Cylinder Assembly
1	1	7882	Roll Pin
2	1	7964	Roll Pin
3	1	560997	Nut
4	1	662459	◆ Seal
5	1	558405	Piston
6	1	2787	◆ O-Ring
7	1	556463	Shell
8	1	556464	Rod
9	1	209589	◆ O-Ring
10	1	229646	◆ Back-Up Ring
11	1	553520	◆ Seal
12	1	636701	◆ Back-Up Ring
13	1	556432	Retainer
14	1	624572	◆ Wiper
15	1	6513	■ Cotter Pin
16	1	676110	■ Retainer
17	1	676109	■ Nut
18	1	—	Spacer
		556486	Service Kit

◆ Included in Service Kit 556486.

■ Included in Nut Service Kit 678036 - not included in Cylinder Assembly.

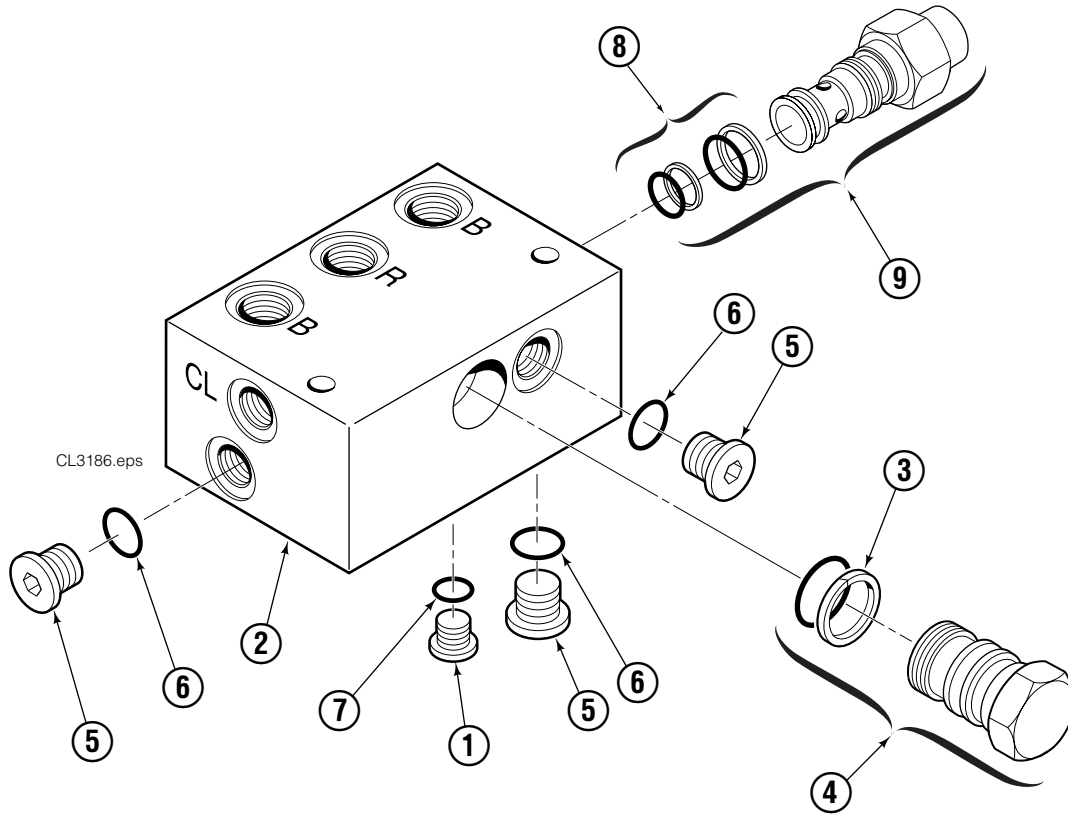
Reference: S-5259, S-5260.

# Restrictor Cartridge



REF	QTY	PART NO.	DESCRIPTION
		667609	Restrictor Cartridge
1	1	2701	O-Ring
2	1	667611	Plunger
3	1	2841	O-Ring
4	1	667610	Plug - Special
5	1	5716	Jam Nut

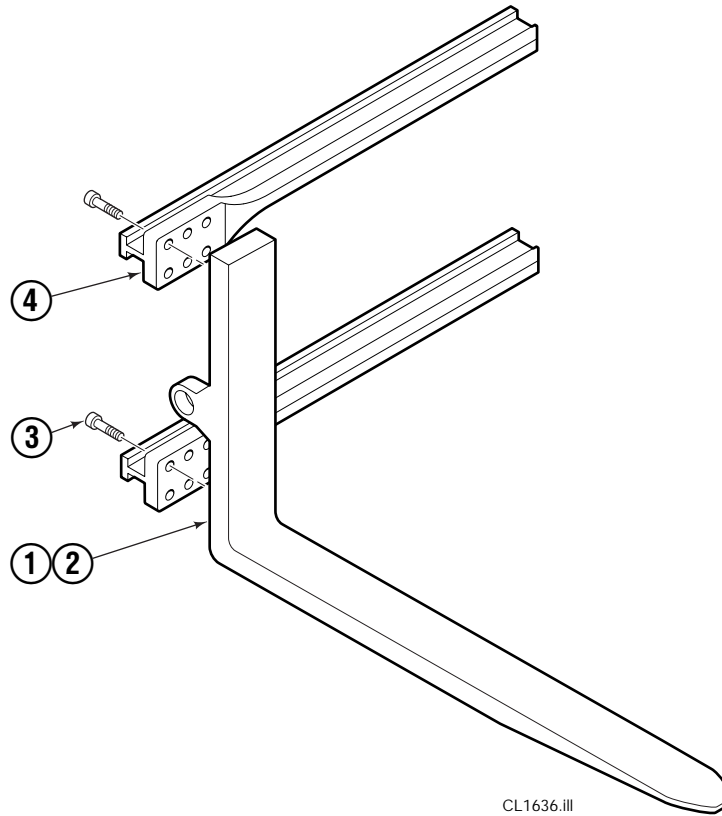
# Valve Group Non-Sideshift



REF	QTY	PART NO.	DESCRIPTION
		677733	Valve Assembly
1	1	604510	Fitting, 6
2	1	676118	Valve Body
3	1	656223	▲ Service Kit
4	1	677731	Cavity Plug
5	3	602580	Fitting, 8
6	11	2841	▲ O-Ring
7	1	2840	▲ O-Ring
8	1	661312	▲ Service Kit – Relief Valve
9	1	677730	Relief Valve
		676169	Valve Service Kit

▲ Included in Service Kit 676169.

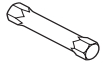
# Bolt-On Pallet Forks



CL1636.III

## ARM CAPSCREW EXTENSION TOOL

Required for proper torquing of capscrews



70D

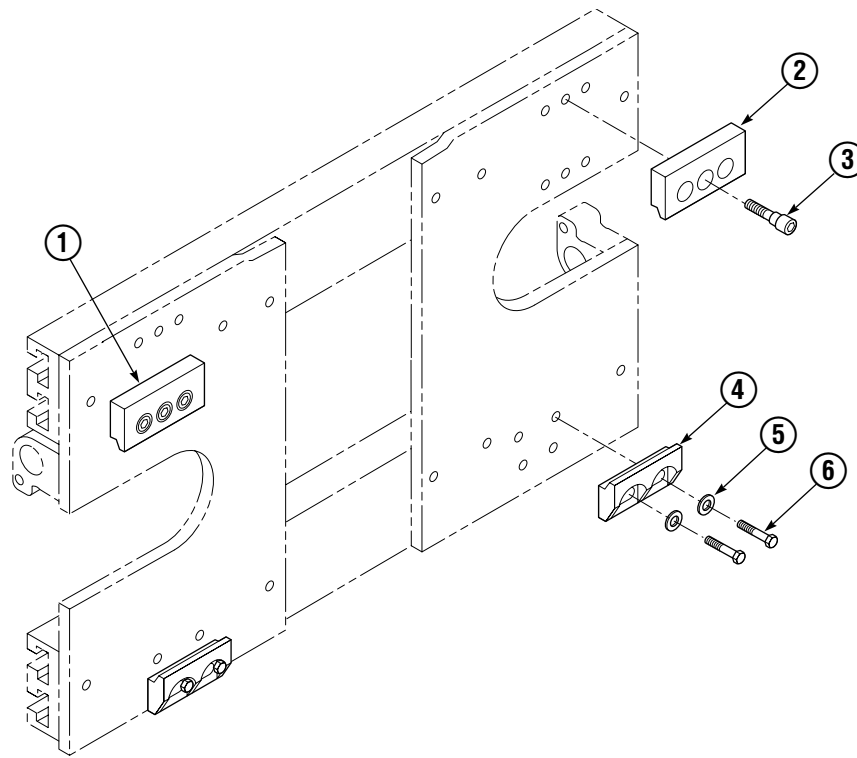
676218

## 85D

REF	QTY	PART NO.	DESCRIPTION
		676186	Pallet Fork Assembly ▲
1	1	676194	Pallet Fork – LH
2	1	676198	Pallet Fork – RH
3	24	676840	Capscrew
4	4	676132	Arm Bar

▲ Includes items 1, 2 & 3 only.

# Bolt-On Mounting Group



CL0159.III

## Class III

REF	QTY	PART NO.	DESCRIPTION
		676124	Mounting Group
1	1	676125	Upper Hook - LH
2	1	676126	Upper Hook - RH
3	6	676801	Capscrew, M20 x 50
4	2	675969	Lower Hook
5	4	667225	Washer, 5/8 in. ID
6	5	779009	Capscrew, M16 x 30

**Do you have questions you need answered right now?**

Call your nearest Cascade Parts Department.

Visit us online at [www.cascorp.com](http://www.cascorp.com)

**AMERICAS**

**Cascade Corporation  
Parts Sales**

2501 Sheridan Ave.  
Springfield, OH 45505  
Tel: 888-CASCADE (227-2233)  
Fax: 888-329-0234

**Cascade Canada Inc.**

5570 Timberlea Blvd.  
Mississauga, Ontario  
Canada L4W-4M6  
Tel: 905-629-7777  
Fax: 905-629-7785

**Cascade do Brasil**

Rua João Guerra, 134  
Macuco, Santos - SP  
Brasil 11015-130  
Tel: 55-13-2105-8800  
Fax: 55-13-2105-8899

**EUROPE-AFRICA**

**Cascade Italia S.R.L.  
European Headquarters**

Via Dell'Artigianato 1  
37030 Vago di Lavagno (VR)  
Italy  
Tel: 39-045-8989111  
Fax: 39-045-8989160

**Cascade (Africa) Pty. Ltd.**

PO Box 625, Isando 1600  
60A Steel Road  
Sparton, Kempton Park  
South Africa  
Tel: 27-11-975-9240  
Fax: 27-11-394-1147

**ASIA-PACIFIC**

**Cascade Japan Ltd.**

2-23, 2-Chome,  
Kukuchi Nishimachi  
Amagasaki, Hyogo  
Japan, 661-0978  
Tel: 81-6-6420-9771  
Fax: 81-6-6420-9777

**Cascade Korea**

121B 9L Namdong Ind.  
Complex, 691-8 Gojan-Dong  
Namdong-Ku  
Inchon, Korea  
Tel: +82-32-821-2051  
Fax: +82-32-821-2055

**Cascade-Xiamen**

No. 668 Yangguang Rd.  
Xinyang Industrial Zone  
Haicang, Xiamen City  
Fujian Province  
P.R. China 361026  
Tel: 86-592-651-2500  
Fax: 86-592-651-2571

**Cascade India Material  
Handling Private Limited**

No 34, Global Trade Centre  
1/1 Rambaugh Colony  
Lal Bahadur Shastri Road,  
Navi Peth, Pune 411 030  
(Maharashtra) India  
Phone: +91 020 2432 5490  
Fax: +91 020 2433 0881

**Cascade Australia Pty. Ltd.**

1445 Ipswich Road  
Rocklea, QLD 4107  
Australia  
Tel: 1-800-227-223  
Fax: +61 7 3373-7333

**Cascade New Zealand**

15 Ra Ora Drive  
East Tamaki, Auckland  
New Zealand  
Tel: +64-9-273-9136  
Fax: +64-9-273-9137

**Sunstream Industries  
Pte. Ltd.**

18 Tuas South Street 5  
Singapore 637796  
Tel: +65-6795-7555  
Fax: +65-6863-1368

