



# Parts Manual

---

Model Push-Pull

Serial Number 35E-QPB-131

---

**cascade**<sup>®</sup>  
**corporation**

**For Technical Assistance call:** 800-227-2233, Fax: 888-329-8207

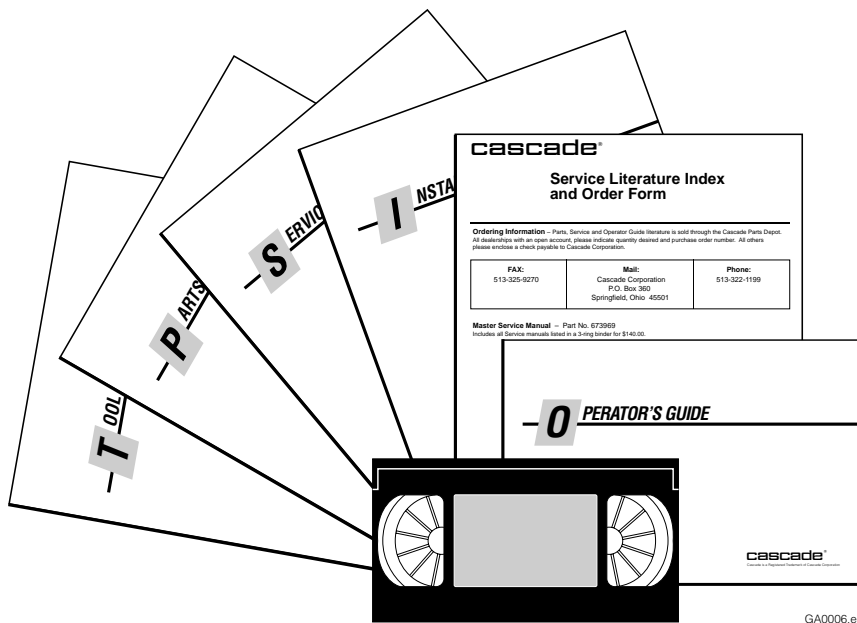
**To Order Parts call:** 888-227-2233, Fax: 888-329-0234

**OR**

**Write:** Cascade Corporation, P.O. Box 20187, Portland, OR 97220

**Internet:** [www.cascorp.com](http://www.cascorp.com)

# Publications



GA0006.eps

| PART NO. | DESCRIPTION                     |
|----------|---------------------------------|
|          | Parts Manual                    |
| 686455   | Service Manual                  |
| 684945   | Operators Guide                 |
| 685531   | Operators Pocket Guide          |
| 684944   | Installation Instructions       |
| 680664   | Servicing Cascade Cylinders-VHS |
| 679929   | Tool Catalog                    |
| 673964   | Literature Index Order Form     |

# Decals



Optional Faceplate Extension



Part No. 679150  
(1 Place & 1 optional)



Part No. 665595  
(2 Place & 2 optional)



Part No. 656038  
(6 Places)

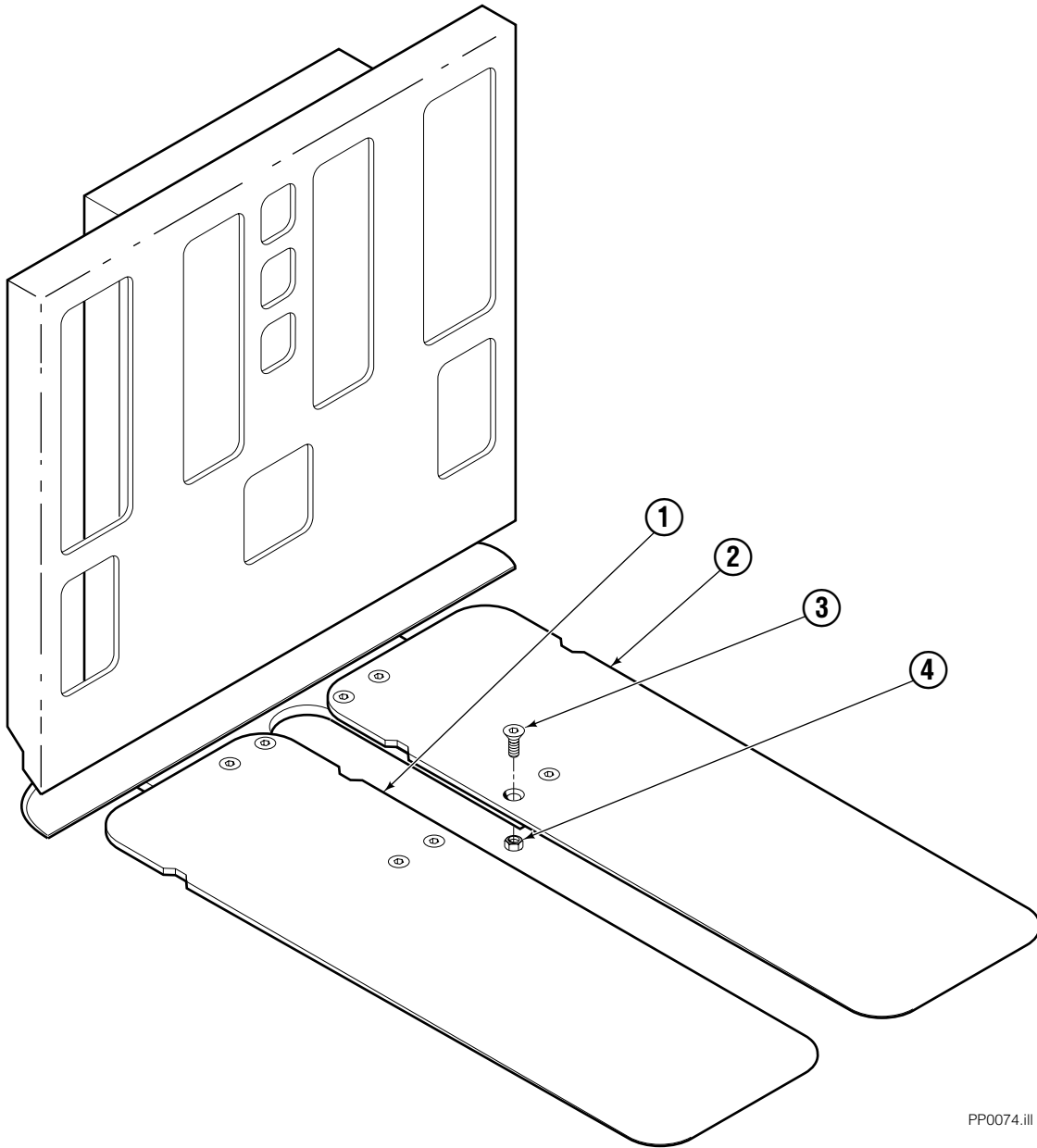


Part No. 679059  
(1 Place if equipped with Quick Change Hooks)



PP0060.iii

# Platens

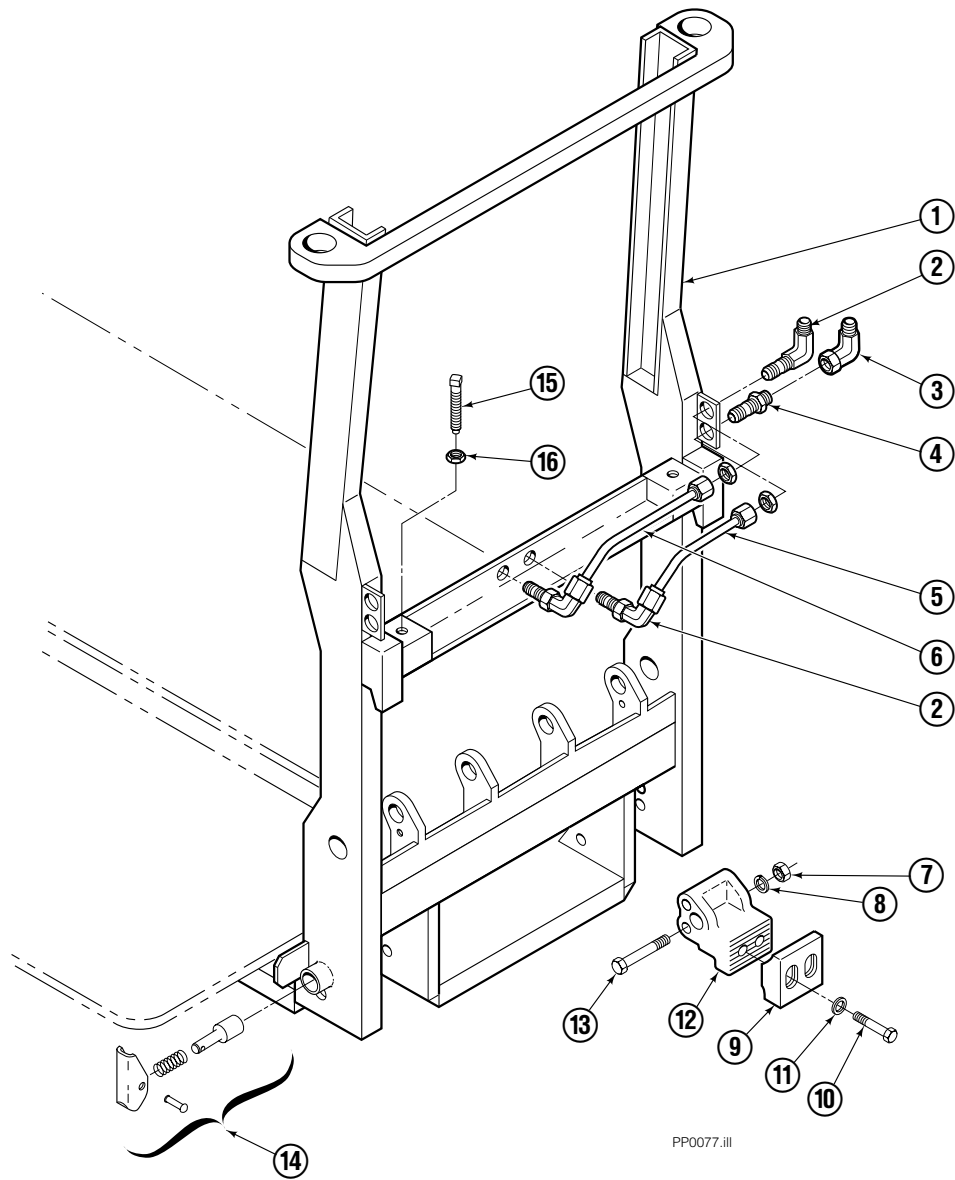


PP0074.iii

**NOTE:** Usable platen lengths are determined by measuring platen from end to end.

| REF | QTY | PART NO. | DESCRIPTION  |
|-----|-----|----------|--------------|
|     |     | 683208   | Platen Group |
| 1   | 1   | 683210   | Platen R. H. |
| 2   | 1   | 683209   | Platen L. H. |
| 3   | 8   | 768705   | Capscrew     |
| 4   | 8   | 773842   | Nut          |

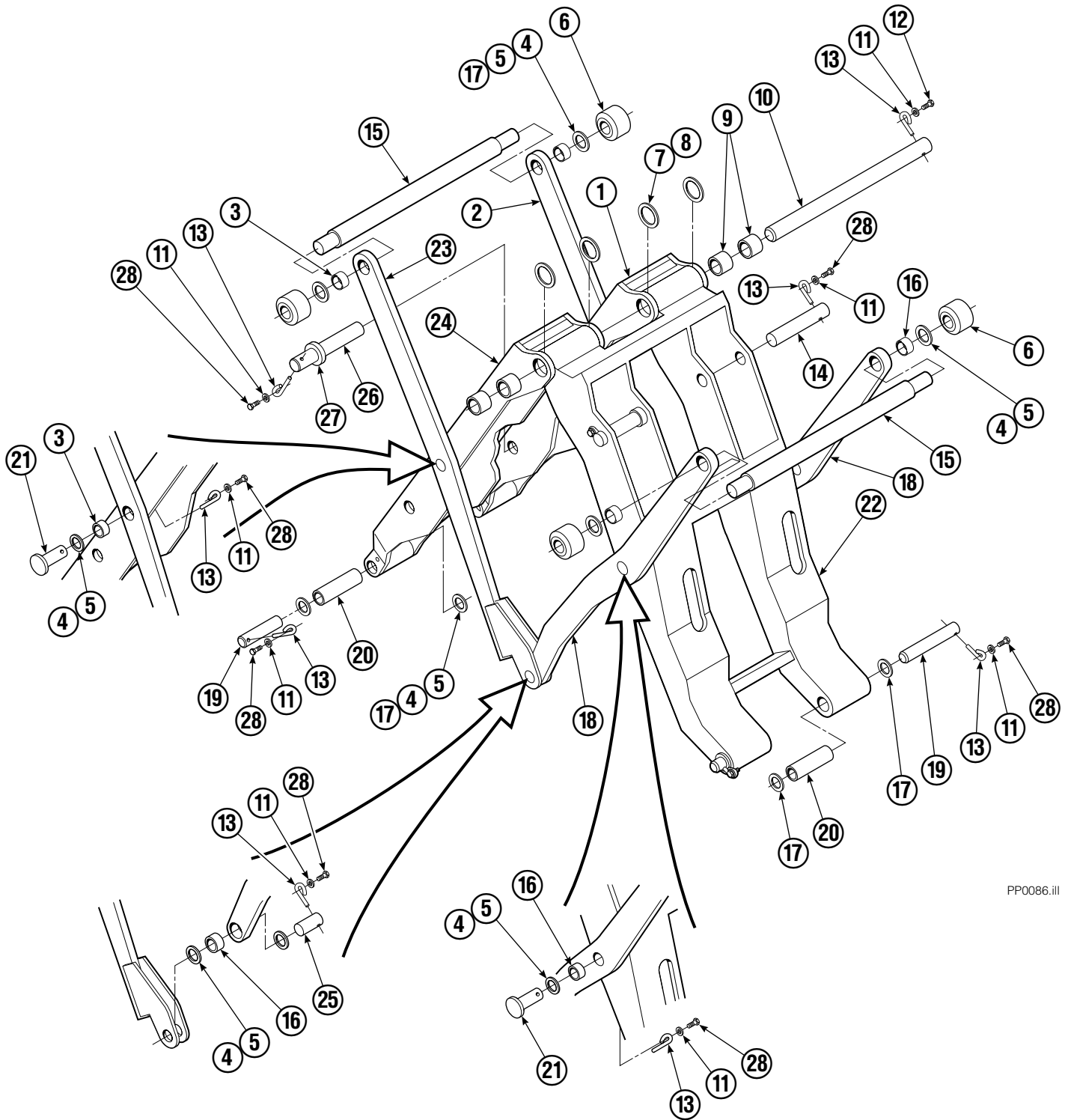
# Frame Group ITA II



## 35E/45E

| REF | QTY | PART NO. | DESCRIPTION              |
|-----|-----|----------|--------------------------|
|     |     | 204625   | Frame Group with Platens |
| 1   | 1   | 205019   | Frame with Platens       |
| 2   | 1   | 2453     | Fitting, 6-6             |
| 3   | 3   | 2680     | Fitting, 6-6             |
| 4   | 1   | 2375     | Fitting, 6-6             |
| 5   | 1   | 683186   | Tube                     |
| 6   | 1   | 683187   | Tube                     |
| 7   | 2   | 763025   | Nut                      |
| 8   | 2   | 681473   | Lockwasher               |
| 9   | 2   | 676280   | Hook                     |
| 10  | 4   | 768554   | Capscrew                 |
| 11  | 4   | 667910   | Washer                   |
| 12  | 2   | 683188   | Pivot Hook               |
| 13  | 2   | 768837   | Capscrew                 |
| 14  | 2   | 683189   | Pin Assembly             |
| 15  | 2   | 204938   | Setscrew                 |
| 16  | 2   | 5930     | Nut                      |

# Mechanism Group



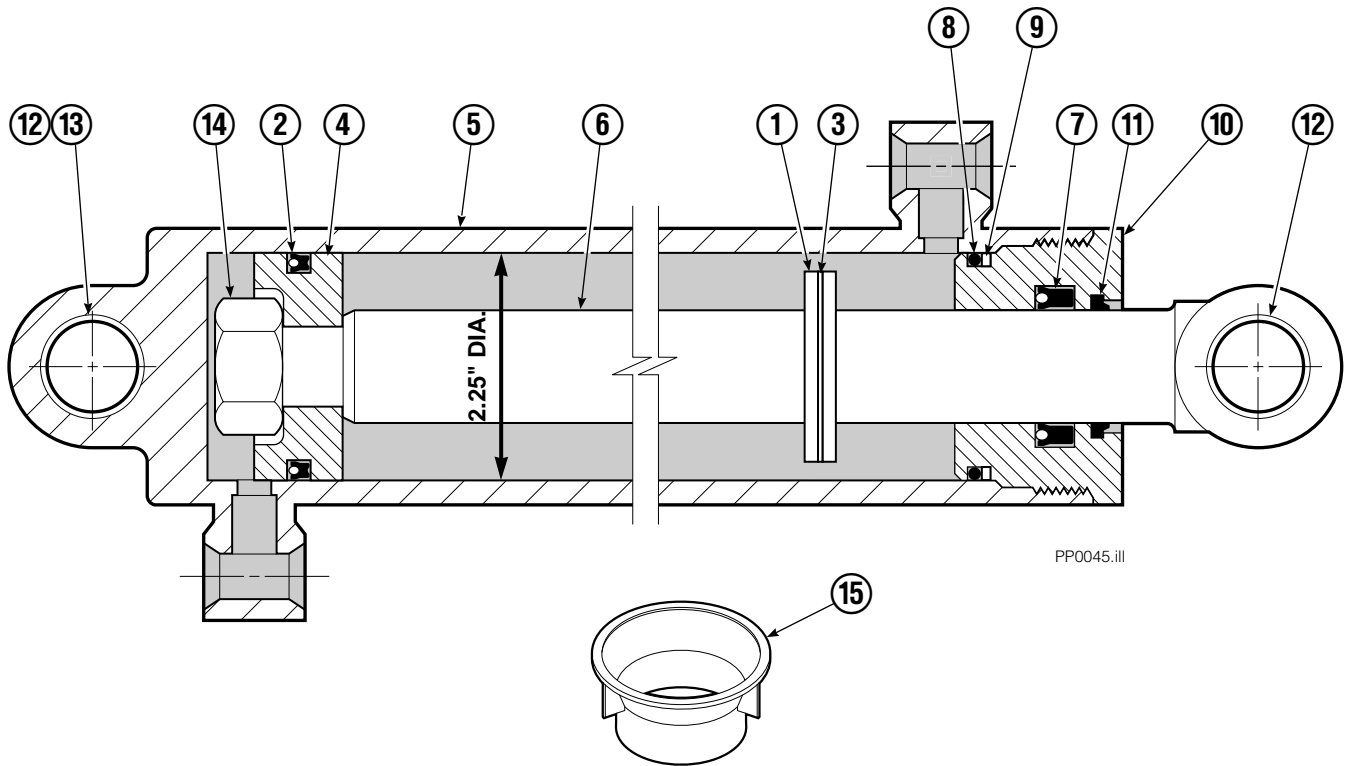
PP0086.ill

# Mechanism Group

| <b>35E/45E</b> |            |                 |                           |
|----------------|------------|-----------------|---------------------------|
| <b>REF</b>     | <b>QTY</b> | <b>PART NO.</b> | <b>DESCRIPTION</b>        |
|                |            | 204644          | Mechanism Group           |
| 1              | 1          | 204691          | Arm-Inner Secondary R. H. |
| 2              | 1          | 204692          | Arm-Secondary Outer R. H. |
| 3              | 4          | 683154          | ■ Bushing                 |
| 4              | ●          | 683161          | Shim (.030)               |
| 5              | ●          | 683162          | Shim (.060)               |
| 6              | 4          | 205070          | Roller                    |
| 7              | ●          | 683163          | Shim (.030)               |
| 8              | ●          | 683164          | Shim (.060)               |
| 9              | 4          | 683155          | ■ Bushing                 |
| 10             | 1          | 682821          | Pin                       |
| 11             | 15         | 6229            | Washer                    |
| 12             | 2          | 685661          | Capscrew                  |
| 13             | 15         | 682999          | Eye-Pin                   |
| 14             | 2          | 682822          | Pin-Head                  |
| 15             | 2          | 205065          | Pin                       |
| 16             | 6          | 683153          | ■ Bushing                 |
| 17             | ●          | 204532          | Shim (.12)                |
| 18             | 2          | 204694          | Arm-Outer Primary         |
| 19             | 4          | 204533          | Pin-Frame                 |
| 20             | 4          | 204535          | ■ Bushing                 |
| 21             | 4          | 204695          | Pin                       |
| 22             | 1          | 204604          | Arm-Inner Primary         |
| 23             | 1          | 204693          | Arm-Secondary Outer L. H. |
| 24             | 1          | 204690          | Arm-Inner Secondary L. H. |
| 25             | 2          | 204696          | Pin-Outer                 |
| 26             | 2          | 682823          | Pin-Rod                   |
| 27             | 2          | 683165          | Spacer                    |
| 28             | 13         | 767961          | Capscrew                  |

- Quantity as required.
- Included in Bushing Service Kit 205075.

# Cylinder



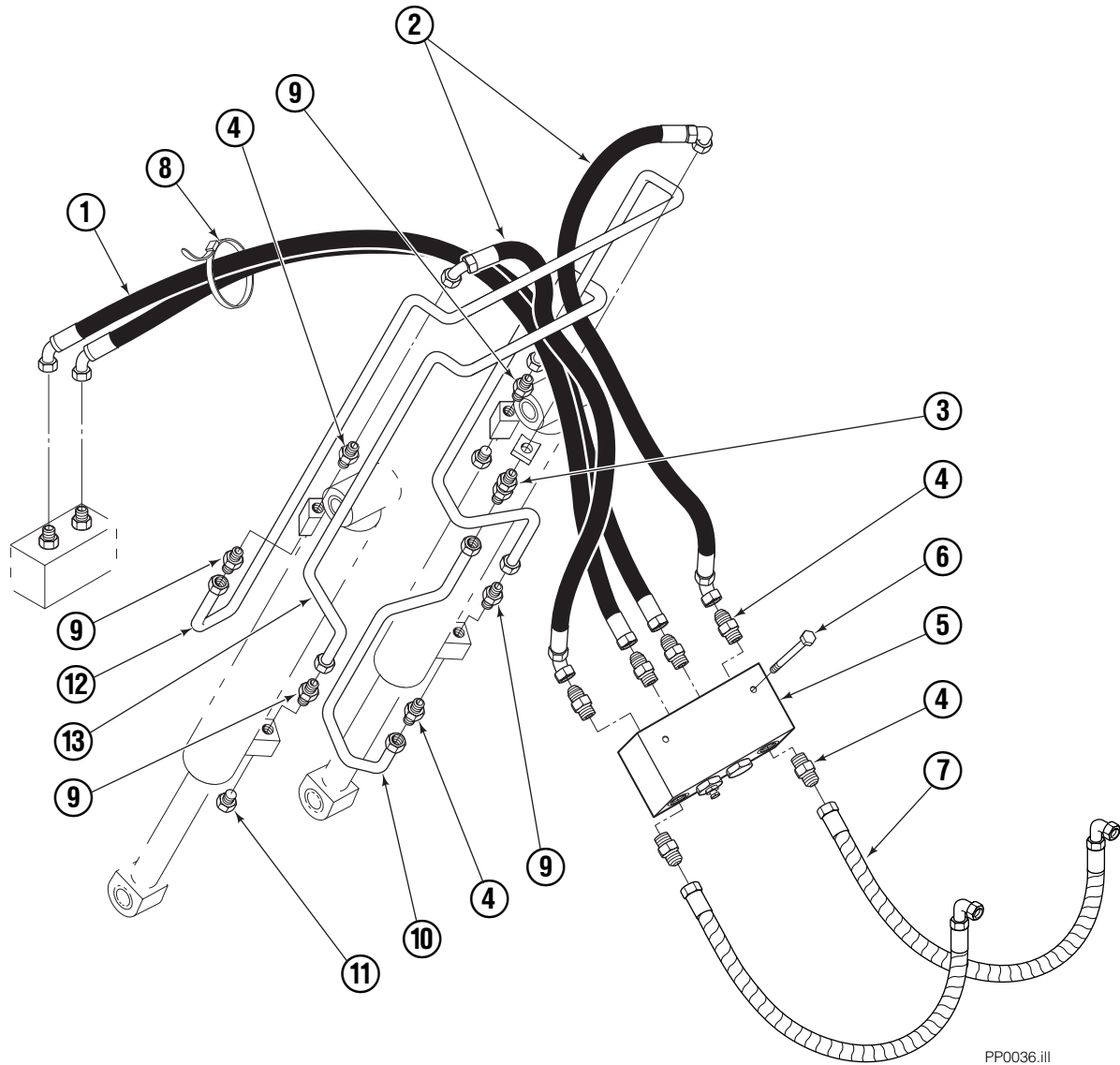
PP0045.ii

| REF | QTY | PART NO. | DESCRIPTION       |
|-----|-----|----------|-------------------|
|     |     | 582636   | Cylinder Assembly |
| 1   | 1   | —        | Spacer            |
| 2   | 1   | 564159   | Seal ■            |
| 3   | 1   | 7348     | Snap Ring         |
| 4   | 1   | 564161   | Piston            |
| 5   | 1   | 562717   | Shell             |
| 6   | 1   | 558626   | Rod               |
| 7   | 1   | 662448   | Seal ■            |
| 8   | 1   | 2787     | O-Ring ■          |
| 9   | 1   | 615130   | Back-Up Ring ■    |
| 10  | 1   | 558628   | Retainer          |
| 11  | 1   | 636853   | Wiper ■           |
| 12  | 4   | 559697   | Bearing           |
| 13  | 1   | 559698   | Spacer            |
| 14  | 1   | 678019   | Nut               |
| 15  | 1   | 671048   | Seal Loader Kit ■ |

■ Included in Service Kit 562339.

Reference: S-3424.

# Hydraulic Group



PP0036.ill

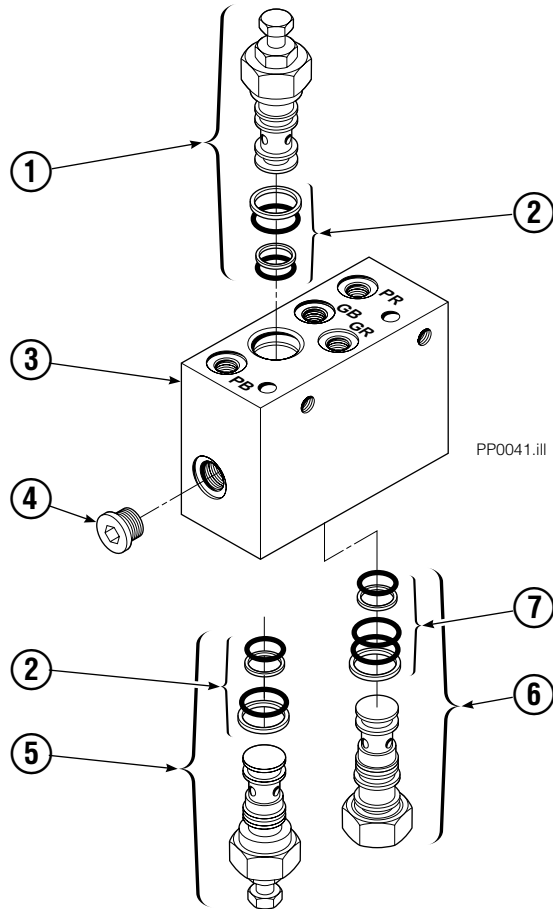
## 35E/45E

| REF | QTY | PART NO. | DESCRIPTION              |
|-----|-----|----------|--------------------------|
|     |     | 685828   | Hydraulic Group ITA II   |
| 1   | 1   | 685831   | Hose                     |
| 2   | 2   | 683173   | Hose                     |
| 3   | 1   | 2375     | Fitting, 6-6             |
| 4   | 8   | 604511   | Fitting, 6-6             |
| 5   | 1   | 682812   | ■ Valve                  |
| 6   | 2   | 765329   | Capscrew, M8x1.25x20-8.8 |
| 7   | 2   | 685978   | Hose ITA II              |
| 8   | 2   | 684956   | Cable tie                |
| 9   | 4   | 605235   | Fitting 5-6              |
| 10  | 1   | 200647   | Tube                     |
| 11  | 2   | 604510   | Plug, 6                  |
| 12  | 1   | 200649   | Tube                     |
| 13  | 1   | 200648   | Tube                     |

■ See Valve page for parts breakdown.

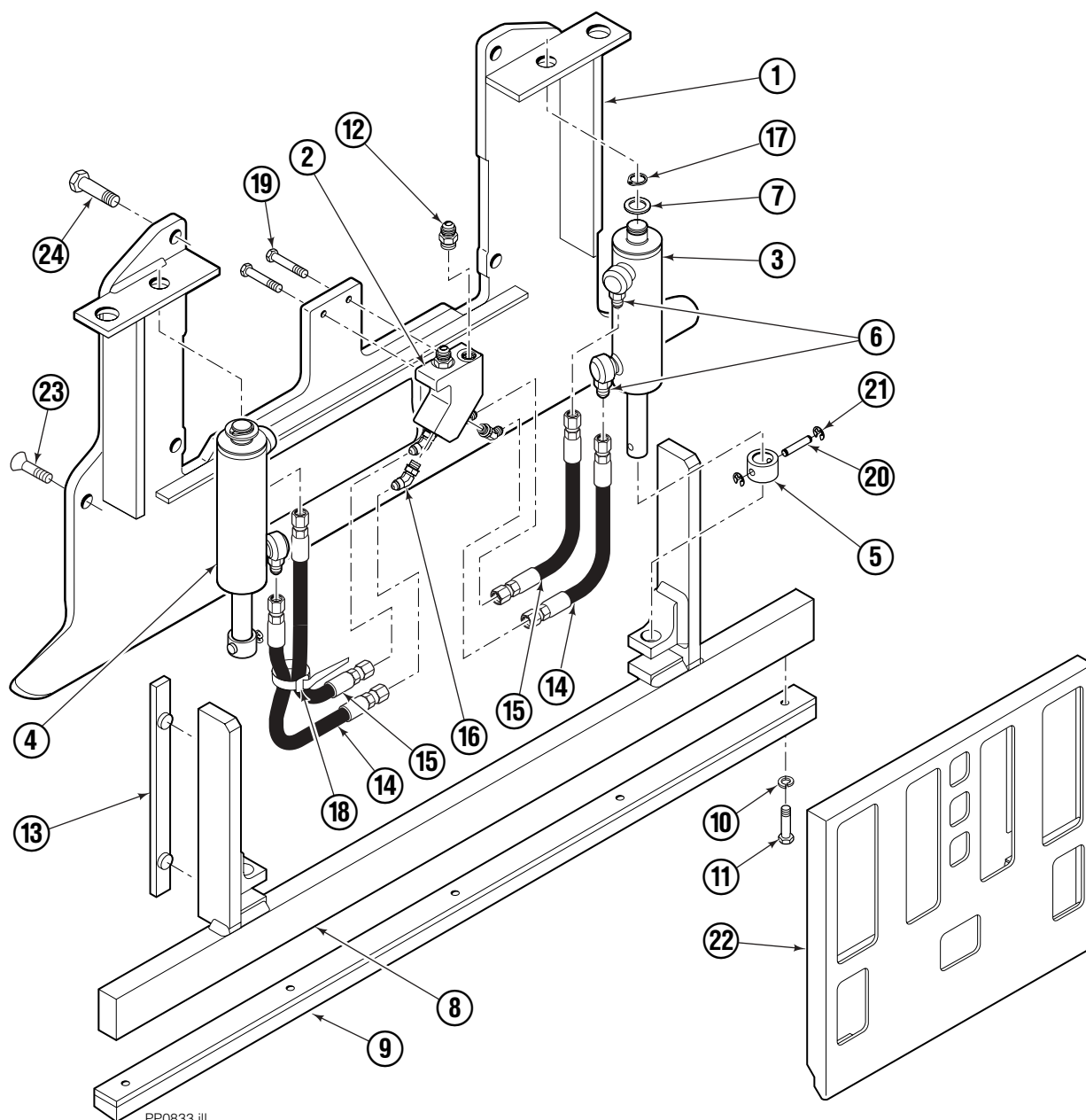
# Valve

## Load Push/Pull



| REF | QTY | PART NO. | DESCRIPTION              |
|-----|-----|----------|--------------------------|
|     |     | 682812   | Valve Assembly           |
| 1   | 1   | 677125   | Sequence Valve (Retract) |
| 2   | 2   | 669597   | Service Kit              |
| 3   | 1   | 682813   | Body                     |
| 4   | 5   | 663694   | Fitting, 3               |
| 5   | 1   | 677124   | Sequence Valve (Extend)  |
| 6   | 1   | 659058   | Gripper Check Valve      |
| 7   | 1   | 667516   | Service Kit              |

# Faceplate Group



## 35E

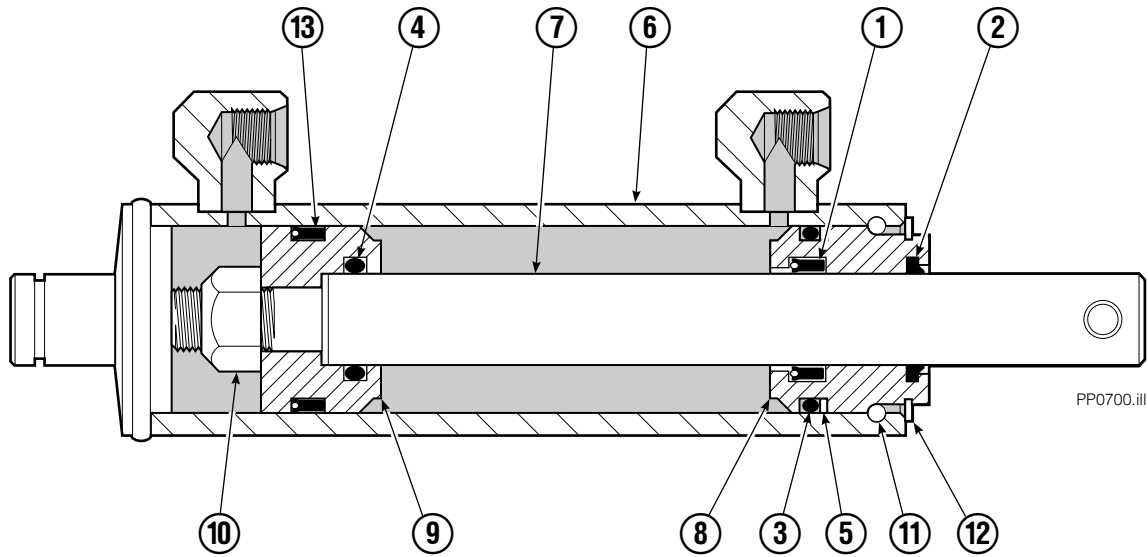
| REF | QTY | PART NO. | DESCRIPTION                    | REF | QTY | PART NO. | DESCRIPTION              |
|-----|-----|----------|--------------------------------|-----|-----|----------|--------------------------|
|     |     | 6002141  | Faceplate Group, 40 x 40 in. ■ | 12  | 2   | 604511   | Fitting, 6-6             |
|     |     | 6002140  | Gripper Jaw Assembly ●         | 13  | 2   | 686573   | Bearing                  |
| 1   | 1   | 206396   | Gripper Jaw                    | 14  | 2   | 6002138  | Hose, 315 mm             |
| 2   | 1   | 6002134  | Valve                          | 15  | 2   | 6002139  | Hose, 450 mm             |
| 3   | 1   | 6020456  | Gripper Cylinder, LH ◆         | 16  | 4   | 617918   | Fitting, 4-4             |
| 4   | 1   | 6020455  | Gripper Cylinder, RH ◆         | 17  | 2   | 6003718  | Retaining Ring           |
| 5   | 2   | 6020451  | Collar                         | 18  | 4   | 684956   | Wire Tie                 |
| 6   | 4   | 617915   | Fitting, 4-4                   | 19  | 2   | 787373   | Capscrew, M8 x 20        |
| 7   | 2   | 6001555  | Washer                         | 20  | 2   | 6020412  | Pin                      |
| 8   | 1   | 6002135  | Gripper Bar                    | 21  | 4   | 6020463  | Retaining Ring           |
| 9   | 1   | 672712   | Gripper Pad                    | 22  | 1   | 6002142  | Faceplate, 40 x 40 in. ■ |
| 10  | 5   | 680253   | Lockwasher, M8                 | 23  | 2   | 768714   | Capscrew, M16 x 60       |
| 11  | 5   | 787375   | Capscrew, M8 x 20              | 24  | 4   | 225346   | Capscrew, M16 x 60       |

■ Width x height.

● Includes items 1-21.

◆ See Gripper Cylinder page for parts breakdown.

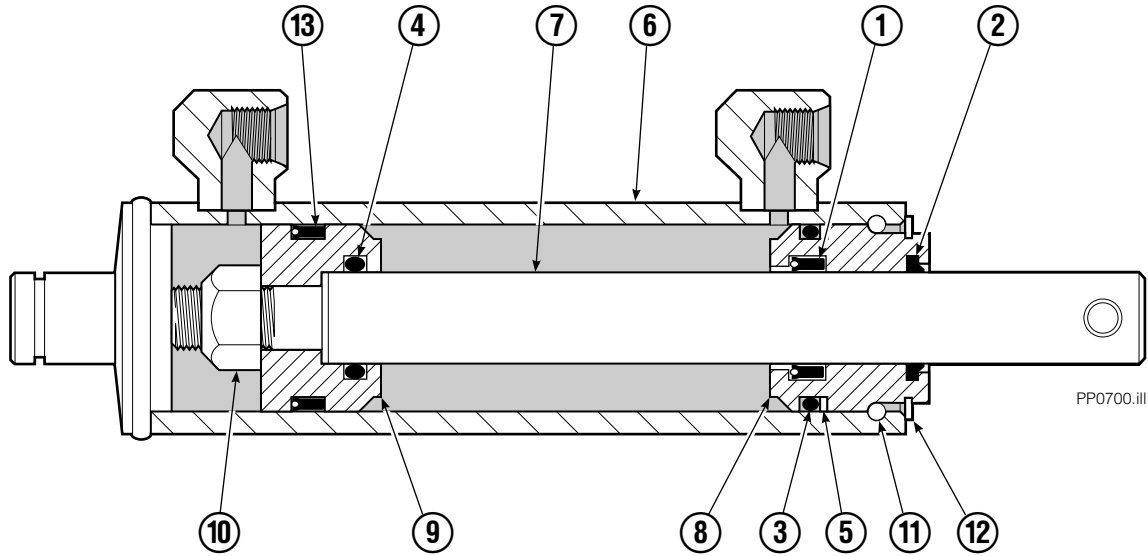
# Gripper Cylinder Left Hand



| REF | QTY | PART NO. | DESCRIPTION           |
|-----|-----|----------|-----------------------|
|     |     | 6020456  | Gripper Cylinder - LH |
| 1   | 1   | 646540   | ▼ Seal                |
| 2   | 1   | 636850   | ▼ Wiper               |
| 3   | 1   | 2718     | ▼ O-Ring              |
| 4   | 1   | 2710     | ▼ O-Ring              |
| 5   | 1   | 615122   | ▼ Back-Up Ring        |
| 6   | 1   | 6002131  | Shell                 |
| 7   | 1   | 6020445  | Rod                   |
| 8   | 1   | 685664   | Retainer              |
| 9   | 1   | 685665   | Piston                |
| 10  | 1   | 563462   | Nut                   |
| 11  | 1   | 563916   | Ring                  |
| 12  | 1   | 3137     | Ring                  |
| 13  | 1   | 663728   | ▼ Piston Seal         |

▼ Included in Service Kit 684827.

# Gripper Cylinder Right Hand



| REF | QTY | PART NO. | DESCRIPTION           |
|-----|-----|----------|-----------------------|
|     |     | 6020455  | Gripper Cylinder – RH |
| 1   | 1   | 646540   | ▼ Seal                |
| 2   | 1   | 636850   | ▼ Wiper               |
| 3   | 1   | 2718     | ▼ O-Ring              |
| 4   | 1   | 2710     | ▼ O-Ring              |
| 5   | 1   | 615122   | ▼ Back-Up Ring        |
| 6   | 1   | 6014091  | Shell                 |
| 7   | 1   | 6020445  | Rod                   |
| 8   | 1   | 685664   | Retainer              |
| 9   | 1   | 685665   | Piston                |
| 10  | 1   | 563462   | Nut                   |
| 11  | 1   | 563916   | Ring                  |
| 12  | 1   | 3137     | Ring                  |
| 13  | 1   | 663728   | ▼ Piston Seal         |

▼ Included in Service Kit 684827.

**Do you have questions you need answered right now?** Call your nearest Cascade Parts Department. Visit us online at [www.cascorp.com](http://www.cascorp.com)

**Cascade Corporation**  
2501 Sheridan Avenue  
Springfield, OH 45505  
Tel: 888-CASCADE (227-2233)  
FAX: 888-329-0234

**Cascade Canada Inc.**  
5570 Timberlea Blvd.  
Mississauga, Ontario  
Canada L4W-4M6  
Tel: 905-629-7777  
FAX: 905-629-7785

**Cascade GmbH**  
D-41199 Monchengladbach  
Klosterhofweg 52  
Germany  
Tel: 49-216-668230  
FAX: 49-216-6682323

**Cascade Finland**  
Albert Petreliuksenkatu 3  
01370 Vantaa  
Finland  
Tel: 358-9-836-1925  
FAX: 358-9-836-1935

**Cascade N.V.  
European Headquarters**  
P.O. Box 3009  
1300 El Almere  
Damluisweg 56  
1332 ED Almere  
The Netherlands  
Tel: 31-36-5492911  
FAX: 31-36-5492964

**Cascade N.V.  
Benelux Sales and Service**  
P.O. Box 3009  
1300 El Almere  
Damluisweg 56  
1332 ED Almere  
The Netherlands  
Tel: 31-36-5492950  
FAX: 31-36-5492974

**Cascade (UK) Ltd.**  
15, Orgreave Crescent  
Dore House Industrial Estate  
Handsworth  
Sheffield S13 9NQ  
England  
Tel: 742-697524  
FAX: 742-695121

**Cascade Scandinavia AB**  
Box 124  
Hammarvägen 10  
567 23 Vaggeryd  
Sweden  
Tel: 42-0-393-36950  
FAX: 46-0-393-36959

**Cascade Norway**  
Østerliveien 37A  
1153 Oslo  
Norway  
Tel: 47-22-743160  
FAX: 47-22-743157

**Cascade France S.A.R.L.**  
1D Rue De Charaintru  
BP 18, 91360 Epinay-Sur-Orge  
Morangis Cedex, France  
Tel: 33-1- 64547500  
FAX: 33-1-64547501

**Cascade Hispania S.A.**  
Carrer 5 Sector C  
Zona Franca Duanera  
Poligono de la Zon Franca  
08040 Barcelona, Spain  
Office No. 256  
Tel: 93-264-07-30  
FAX: 93-264-07-31

**Cascade Japan Ltd.**  
5-5-41,  
Torikai Kami  
Settsu, Osaka  
Japan, 566  
Tel: 81-726-53-3490  
FAX: 81-726-53-3497

**Cascade Korea**  
108B, Namdong Ind Complex  
658-3 Gojan-Dong  
Namdong-Gu  
Inchon, 405-310 Korea  
Tel: 82-32-821-2051  
FAX: 82-32-821-2055

**Cascade Australia**  
1445 Ipswich Road  
Rocklea, QLD 4106  
Australia  
Tel: 1-800227-223  
FAX: (07) 3373-7333

**Cascade New Zealand**  
15 Ra Ora Drive  
East Tamaki, Auckland  
New Zealand  
Tel: 9-273-9136  
FAX: 9-273-9137

**Cascade (Africa) Pty. Ltd.**  
P.O. Box 625, Isando 1600  
60A Steel Road  
Sparton, Kempton Park  
South Africa  
Tel: 27-11-975-9240  
FAX: 27-11-394-1147

**Cascade-Xiamen**  
No. 668 Yangguang Rd.  
Xinyang Industrial Zone  
Haicang, Xiamen City  
Fujian Province  
P.R. China 361026  
Tel: 86-592-651-2500  
FAX: 86-592-651-2571

**Cascade (Singapore)  
Trading Co.**  
Four Seasons Park  
Autumn Block - Apt. 1802  
12 Cuscaden Walk  
Singapore  
Tel: 65-834-1935  
FAX: 65-834-1936

