



# Parts Manual

---

Model Single-Double Pallet Handler

Serial Number 55E-FD-742

---

**cascade**<sup>®</sup>

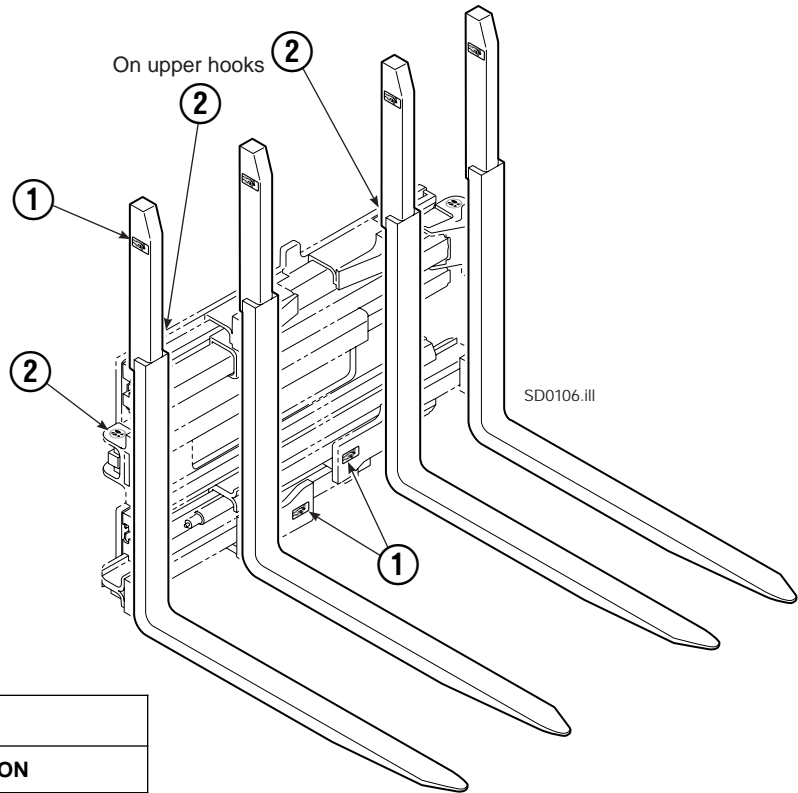
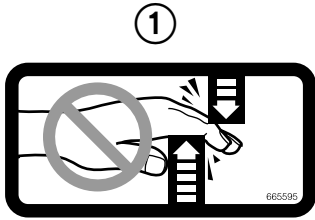
For Technical Assistance call: 800-227-2233, Fax: 888-329-8207

To Order Parts call: 888-227-2233, Fax: 888-329-0234

OR

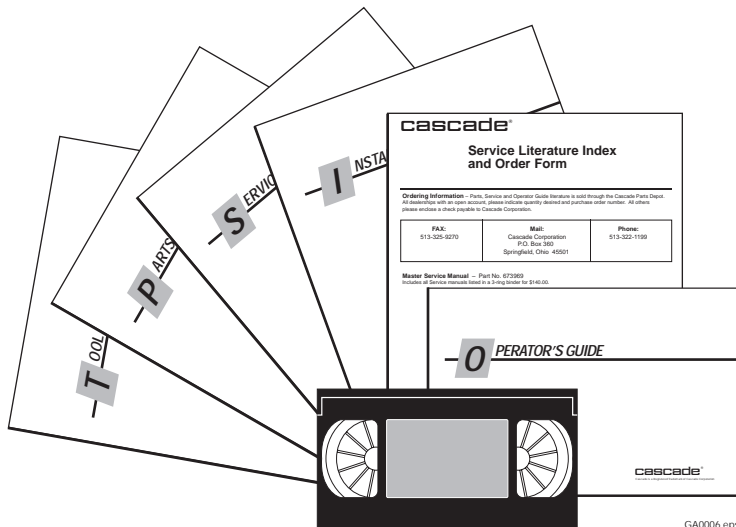
Write: Cascade Corporation, P.O. Box 20187, Portland, OR 97220

# Decals



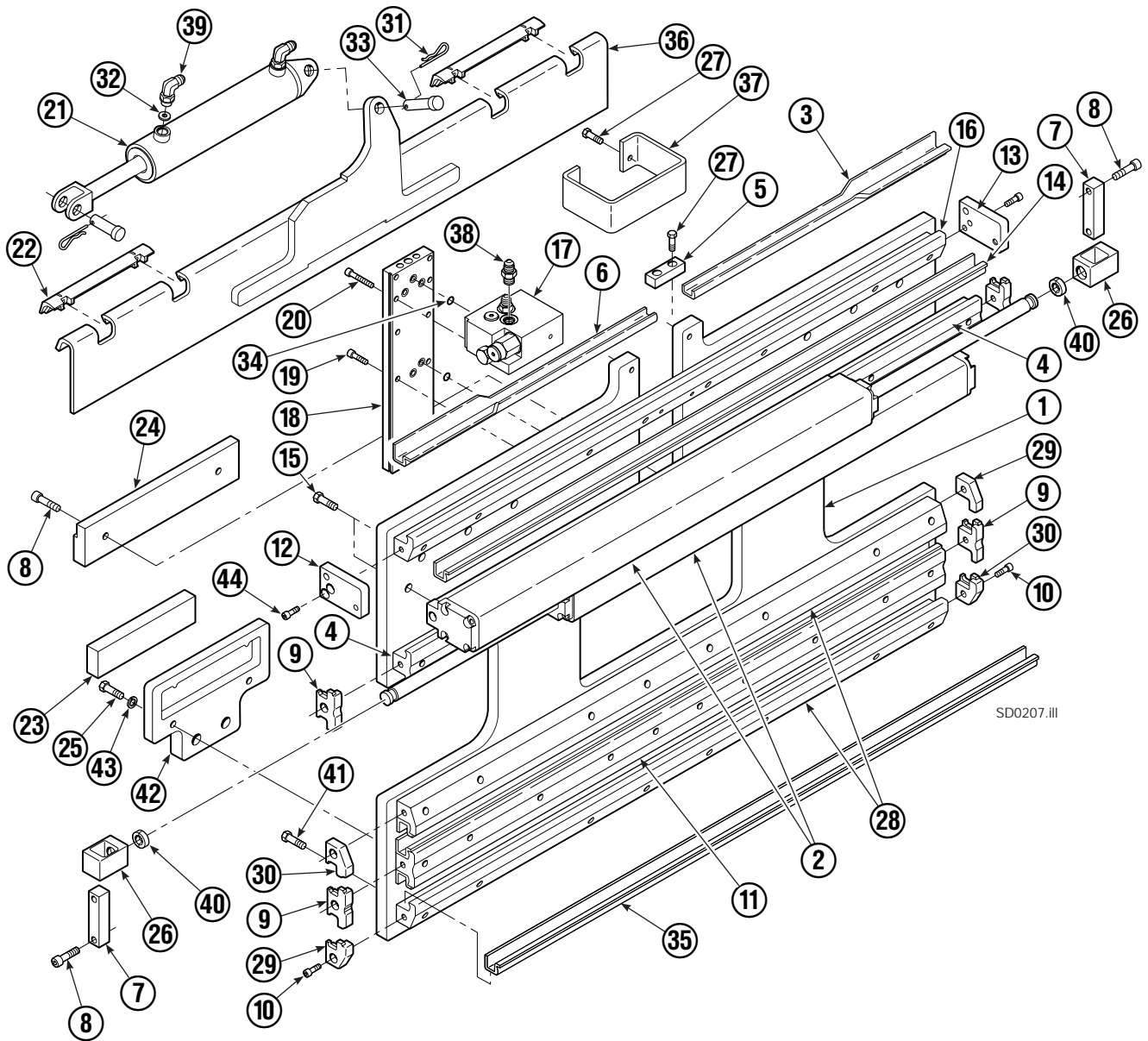
| 55E |     |          |                    |
|-----|-----|----------|--------------------|
| REF | QTY | PART NO. | DESCRIPTION        |
| 1   | 6   | 665595   | No Hand Hold Decal |
| 2   | 4   | 679150   | No Step Decal      |

# Publications



| 55E      |                             |
|----------|-----------------------------|
| PART NO. | DESCRIPTION                 |
|          | Parts Manual                |
| 213580   | Operator's Guide            |
| 213372   | Installation Instructions   |
| 679929   | Tool Catalog                |
| 673964   | Literature Index Order Form |

# Base Unit Group – ITA Class III



# Base Unit Group – ITA Class III

| 55E |     |           |                             |
|-----|-----|-----------|-----------------------------|
| REF | QTY | PART NO.  | DESCRIPTION                 |
|     |     | 220183    | Base Unit Group – Class III |
| 1   | 1   | 220077    | Baseplate                   |
| 2   | 2   | 214620    | Frame Cylinder ★            |
| 3   | 1   | 4786-0488 | Bearing Segment – LH        |
| 4   | 2   | 214628    | T-Bar – Upper               |
| 5   | 1   | 212722    | Fork Stop                   |
| 6   | 1   | 4787-0488 | Bearing Segment – RH        |

## Common Parts

| REF | QTY | PART NO.  | DESCRIPTION                | REF | QTY | PART NO.  | DESCRIPTION          |
|-----|-----|-----------|----------------------------|-----|-----|-----------|----------------------|
| 7   | 2   | 210489    | Rod End Anchor ■           | 26  | 2   | 209741    | Rod End ■            |
| 8   | 6   | 768303    | Capscrew, M10 x 35 ■       | 27  | 6   | 684649    | Capscrew, M10 x 25   |
| 9   | 4   | 210140    | Bearing Retainer           | 28  | 2   | 214633    | T-Bar – Lower        |
| 10  | 12  | 787375    | Capscrew, M8 x 20 GR 8.8   | 29  | 2   | 212585    | Bearing Retainer     |
| 11  | 1   | 214631    | T-Bar – Lower              | 30  | 2   | 212586    | Bearing Retainer     |
| 12  | 1   | 220009    | Retainer/Stop – RH         | 31  | 2   | 672726    | Cotter Pin           |
| 13  | 1   | 220008    | Retainer/Stop – LH         | 32  | 1   | 675550    | Washer               |
| 14  | 4   | 4730-1050 | Bearing Segment            | 33  | 2   | 678525    | Clevis Pin           |
| 15  | 13  | 211689    | Capscrew, M12 x 30 GR 10.9 | 34  | 7   | 214053    | O-Ring               |
| 16  | 1   | 220143    | T-Bar – Upper              | 35  | 4   | 4730-1040 | Bearing Segment      |
| 17  | 1   | 216838    | Valve Assembly ▲           | 36  | 1   | 211371    | Anchor Bracket       |
| 18  | 1   | 211456    | Manifold                   | 37  | 1   | 212741    | Valve Guard          |
| 19  | 6   | 768208    | Capscrew, M8 x 25          | 38  | 2   | 604511    | Fitting, 6-6 ◆       |
| 20  | 4   | 768795    | Capscrew, M8 x 30          | 39  | 2   | 601676    | Fitting, 6-6 ◆       |
| 21  | 1   | 675548    | Sideshift Cylinder ●       | 40  | 4   | 210490    | Retainer Half Ring ■ |
| 22  | 2   | 672018    | Upper Bearing              | 41  | 37  | 214487    | Capscrew, M12 x 40   |
| 23  | 2   | 208350    | Lower Bearing              | 42  | 2   | 215226    | Hanger               |
| 24  | 1   | 218208    | Spacer Block               | 43  | 4   | 787383    | Lockwasher, M10      |
| 25  | 4   | 767615    | Capscrew, M10 x 25         | 44  | 4   | 762900    | Capscrew, M6 x 25    |

★ See Frame Cylinder page for parts breakdown.

▲ See Valve Assembly – Class III page for parts breakdown.

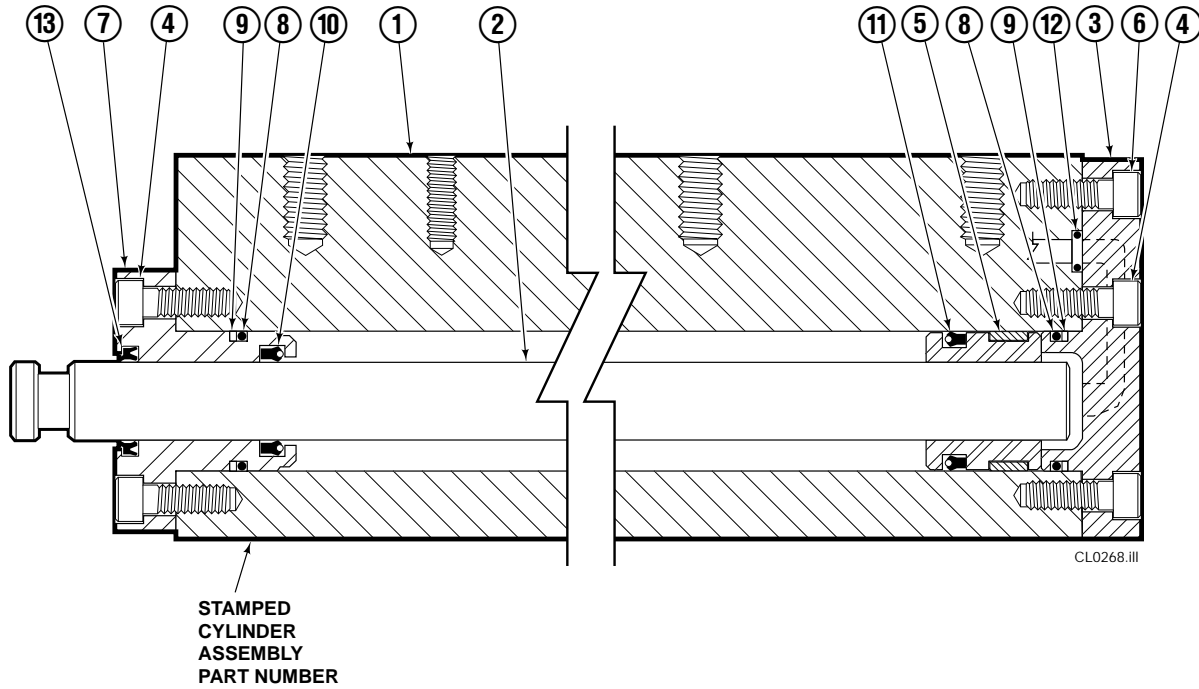
■ Included in Cylinder Rod Anchor Kit 213856.

● See Sideshift Cylinder page for parts breakdown.

◆ Included in Fitting Group 213099.

Reference: SK-6373.

# Frame Cylinder

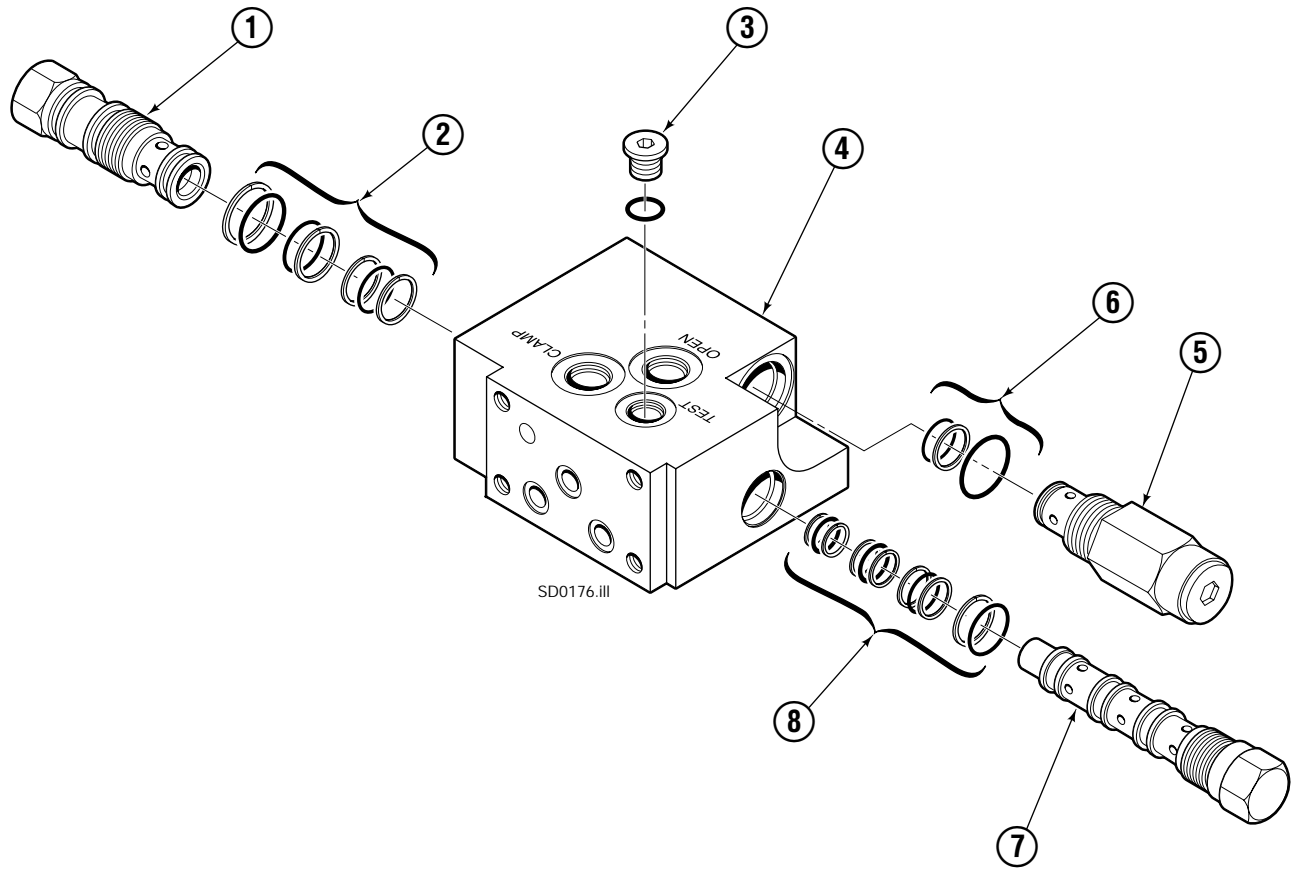


| 55E |     |          |                   |
|-----|-----|----------|-------------------|
| REF | QTY | PART NO. | DESCRIPTION       |
|     |     | 214620   | Cylinder Assembly |
| 1   | 1   | 214621   | Cylinder/Shell    |
| 2   | 1   | 4157-805 | Rod               |
| 3   | 1   | 213783   | End Cap           |
| 4   | 8   | 768208   | Capscrew, M8 x 25 |
| 5   | 1   | 209809   | Bearing ▲         |
| 6   | 1   | 787375   | Capscrew, M8 x 20 |
| 7   | 1   | 212452   | Retainer          |
| 8   | 3   | 643379   | O-Ring ▲          |
| 9   | 2   | 210050   | Back-Up Ring ▲    |
| 10  | 1   | 212477   | Seal ▲            |
| 11  | 1   | 209808   | Seal ▲            |
| 12  | 2   | 214053   | O-Ring ▲          |
| 13  | 1   | 562131   | Wiper ▲           |
|     |     | 210090   | Service Kit       |

▲ Included in Service Kit 210090.

Reference: S-4643, S-4644.

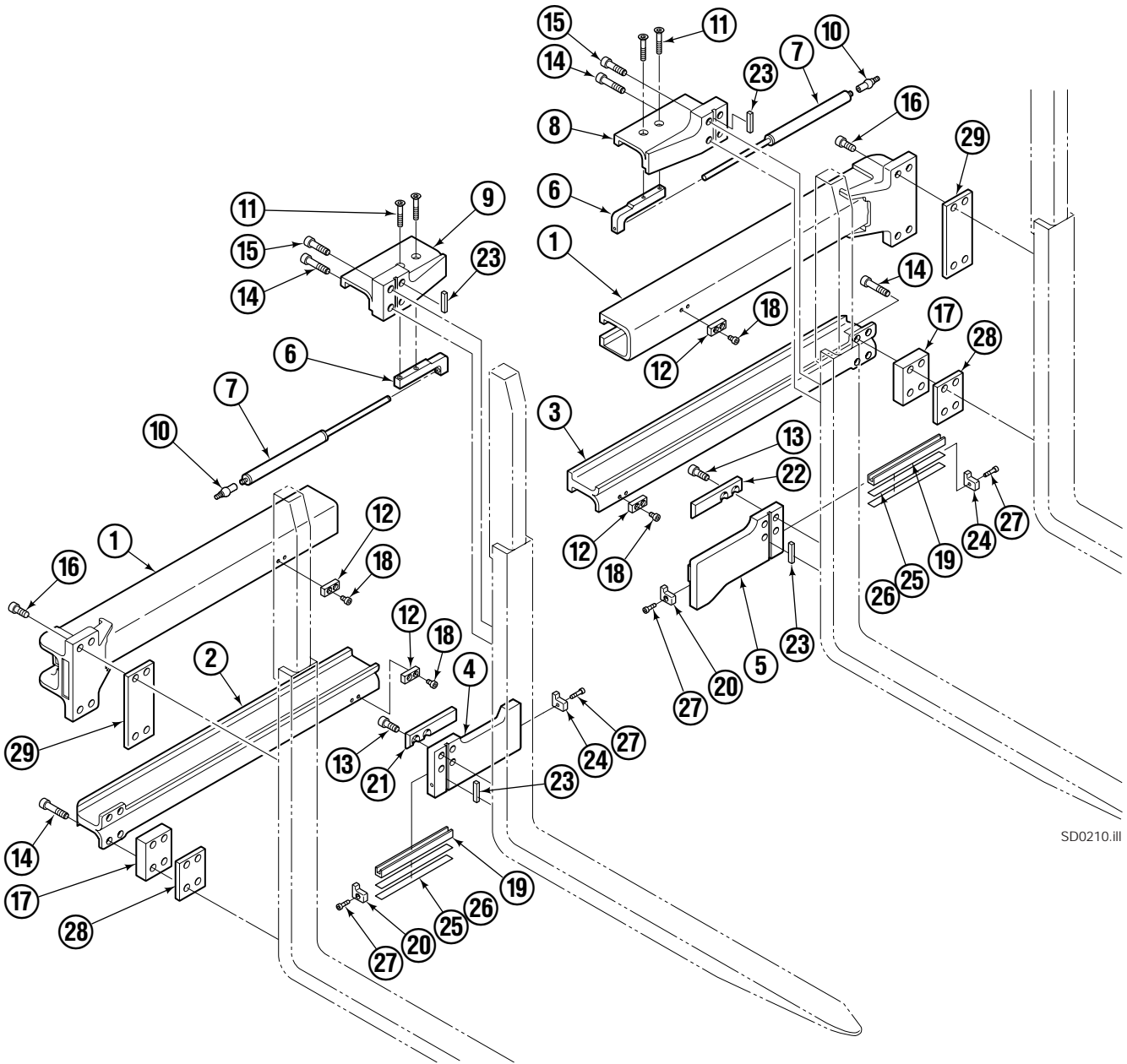
# Valve ITA Class III



| 55E |     |          |                        |
|-----|-----|----------|------------------------|
| REF | QTY | PART NO. | DESCRIPTION            |
|     |     | 216838   | Valve Assembly         |
| 1   | 1   | 219039   | Check Valve            |
| 2   | 1   | ---      | Service Kit            |
| 3   | 1   | 609234   | Plug                   |
| 4   | 1   | 216839   | Valve Body             |
| 5   | 1   | 213535   | Crossover Relief Valve |
| 6   | 1   | 682170   | Service Kit            |
| 7   | 1   | 219040   | Flow Divider/Combiner  |
| 8   | 1   | ---      | Service Kit            |

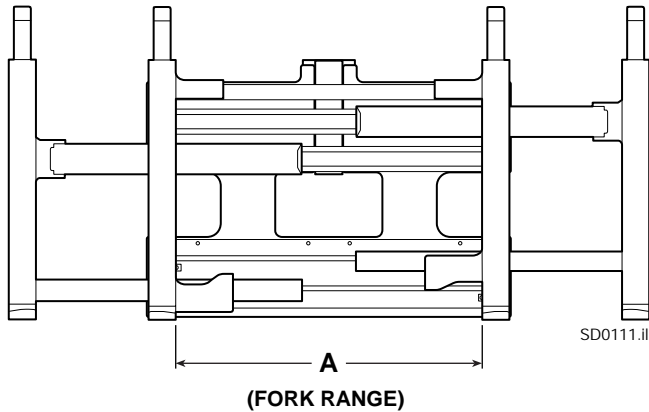


# Arm Group



SD0210.III

# Arm Group



**NOTE:** Position the inner forks to maximum width and measure **A** to determine maximum inner fork inside to inside (ITI) range.

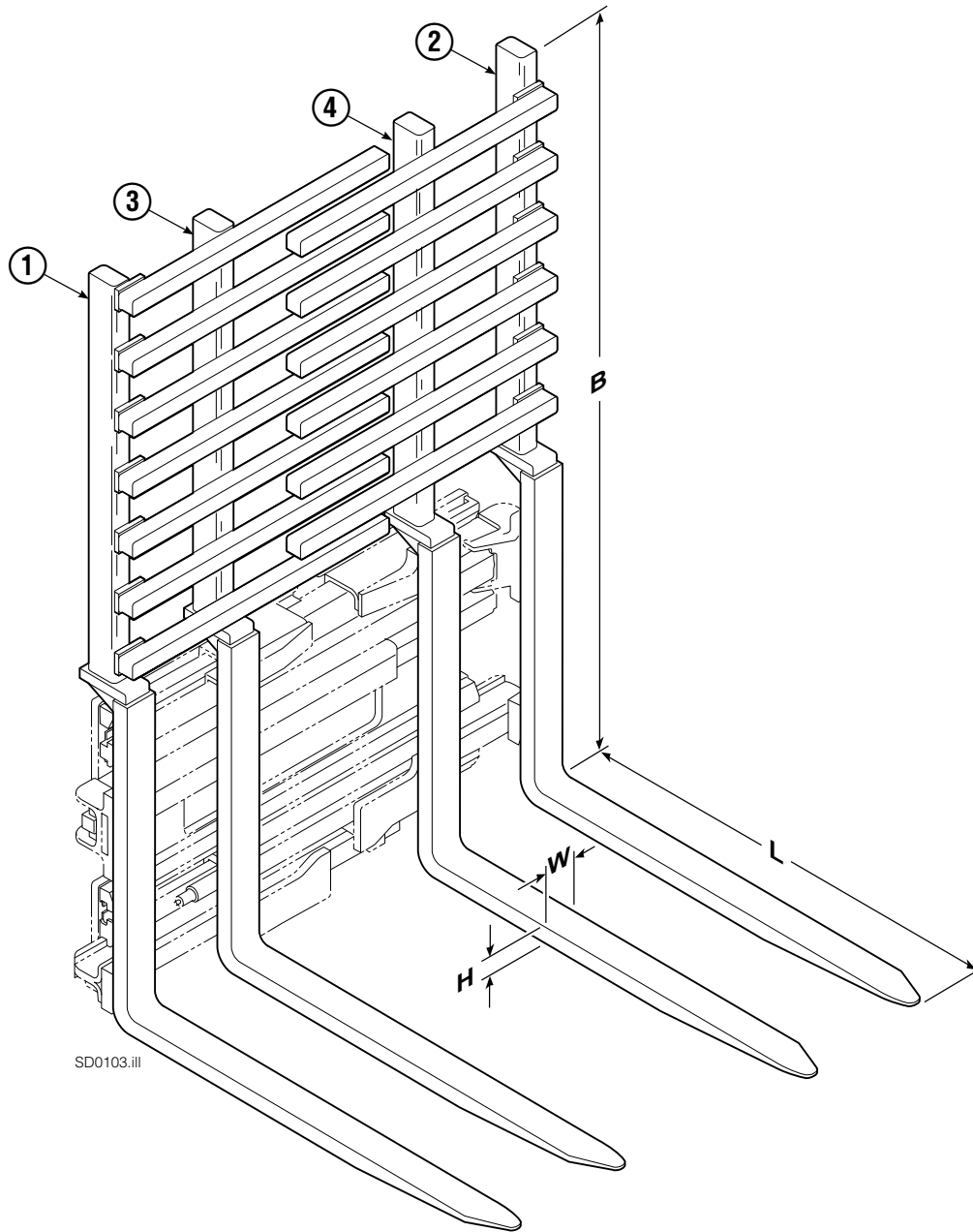
| <b>55E</b> |            |   |                              |                            |                            |                    |
|------------|------------|---|------------------------------|----------------------------|----------------------------|--------------------|
|            |            | <b>DIMENSION – A<br/>MAXIMUM ITI FORK RANGE</b> |                              |                            |                            |                    |
|            |            | <b>28 in.<br/>(720 mm)</b>                      | <b>28.5 in.<br/>(730 mm)</b> | <b>31 in.<br/>(790 mm)</b> | <b>32 in.<br/>(820 mm)</b> |                    |
| <b>REF</b> | <b>QTY</b> | <b>PART NO.</b>                                 | <b>PART NO.</b>              | <b>PART NO.</b>            | <b>PART NO.</b>            | <b>DESCRIPTION</b> |
|            |            | <b>220119</b>                                   | 220122                       | 220123                     | 220120                     | Arm Group          |
| 1          | 2          | 220175  | 220176                       | 220177                     | 220174                     | Upper Arm Bar      |
| 2          | 1          | 220124  | 220216                       | 220217                     | 220213                     | Lower Arm Bar – RH |
| 3          | 1          | 220204  | 220206                       | 220207                     | 220203                     | Lower Arm Bar – LH |
| 4          | 1          | 220135  | 220136                       | 220137                     | 220135                     | Lower Hook – RH    |
| 5          | 1          | 220138  | 220139                       | 220140                     | 220138                     | Lower Hook – LH    |
| 6          | 2          | 10273-0243                                      | 10273-0133                   | 10273-0178                 | 10273-0243                 | Bracket            |
| 7          | 2          | 218895  | 219979                       | 219979                     | 218895                     | Gas Spring         |

## Common Parts

| <b>REF</b> | <b>QTY</b> | <b>PART NO.</b> | <b>DESCRIPTION</b> | <b>REF</b> | <b>QTY</b> | <b>PART NO.</b> | <b>DESCRIPTION</b>    |
|------------|------------|-----------------|--------------------|------------|------------|-----------------|-----------------------|
| 8          | 1          | 220096          | Upper Hook – LH    | 19         | 2          | 4501-0222       | Bearing Segment       |
| 9          | 1          | 220095          | Upper Hook – RH    | 20         | 2          | 212979          | Bearing Retainer      |
| 10         | 2          | 213011          | Ball Joint         | 21         | 1          | 212682          | Bearing – RH          |
| 11         | 4          | 766646          | Capscrew, M10 x 20 | 22         | 1          | 213899          | Bearing – LH          |
| 12         | 4          | 212687          | Fork Stop          | 23         | 4          | 213364          | Key                   |
| 13         | 8          | 769574          | Capscrew, M16 x 35 | 24         | 2          | 213360          | Bearing Retainer      |
| 14         | 12         | 769578          | Capscrew, M16 x 60 | 25         | 4          | 212559          | Shim, .04 in. (1 mm)  |
| 15         | 4          | 769577          | Capscrew, M16 x 50 | 26         | 4          | 213913          | Shim, .02 in. (.5 mm) |
| 16         | 8          | 769573          | Capscrew, M16 x 30 | 27         | 4          | 787375          | Capscrew, M8 x 20     |
| 17         | 2          | 210587          | Spacer             | 28         | 4          | 797611          | Spacer                |
| 18         | 4          | 214414          | Capscrew, M10 x 12 | 29         | 4          | 797610          | Spacer                |

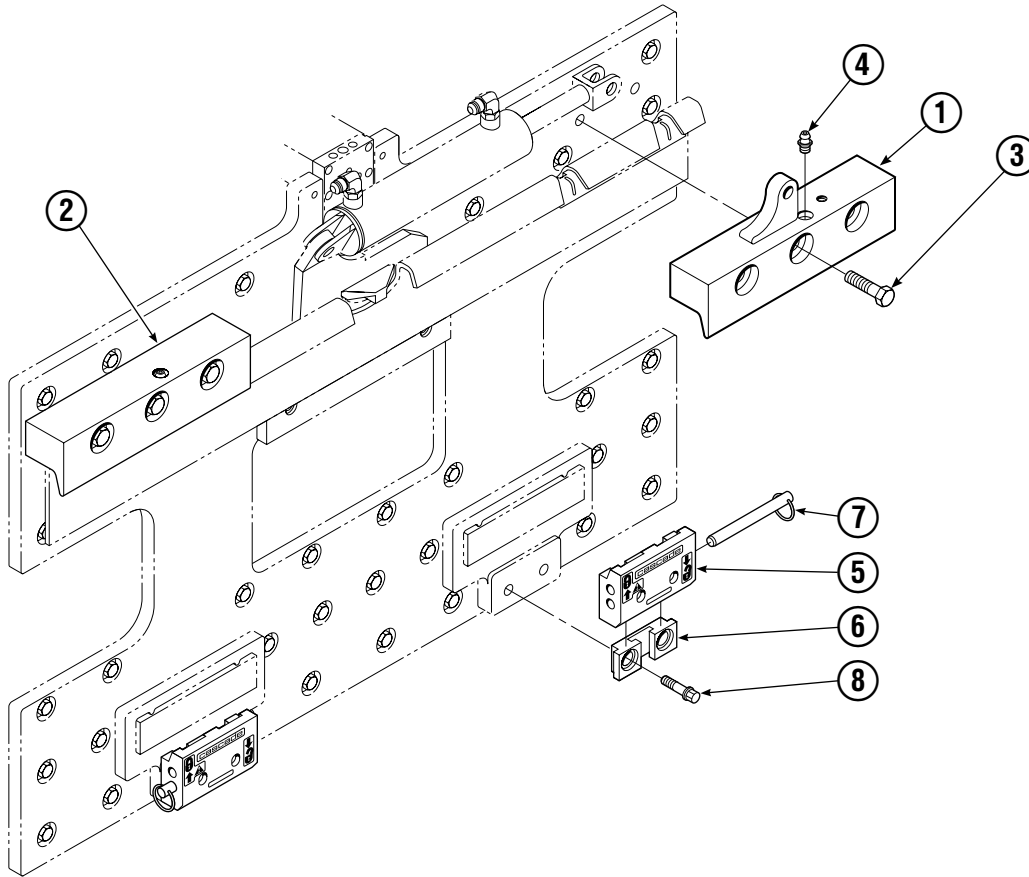
Reference: SK-6373 and 6374. Common Parts Group 220285.

# Interlocking Backrest/Fork Group



| 55E        |     |     |    |                        |               |               |               |               |
|------------|-----|-----|----|------------------------|---------------|---------------|---------------|---------------|
| SIZE (IN.) |     |     |    | FORK GROUP<br>PART NO. | REF 1         | REF 2         | REF 3         | REF 4         |
| L          | W   | H   | B  |                        | Outer Fork-RH | Outer Fork-LH | Inner Fork-RH | Inner Fork-LH |
| 46.0       | 3.2 | 2.0 | 70 | 391341                 | 392149        | 392147        | 392153        | 392151        |

# Mounting Group ITA Class III



SD0097.iii

| 55E |     |                     |                    |
|-----|-----|---------------------|--------------------|
| REF | QTY | ITA III<br>PART NO. | DESCRIPTION        |
|     |     | 212574              | Upper Hook Group ▲ |
|     |     | 6012866             | Lower Hook Group ★ |
| 1   | 1   | 218207              | Upper Hook - RH    |
| 2   | 1   | 218206              | Upper Hook - LH    |
| 3   | 6   | 678997              | Capscrew, M16x70   |
| 4   | 2   | 7403                | Grease Fitting     |
| 5   | 2   | 675957              | Lower Hook         |
| 6   | 2   | 675958              | Guide              |
| 7   | 2   | 678832              | Pin                |
| 8   | 4   | 221305              | Capscrew, M16 x 55 |

▲ Includes items 1, 2, & 3.

★ Includes items 5, 6, 7, & 8.

Reference: SK-6116.

**Do you have questions you need answered right now?** Call your nearest Cascade Parts Department.

**Cascade Corporation**  
2501 Sheridan Avenue  
Springfield, OH 45505  
Tel: 888-CASCADE (227-2233)  
FAX: 888-329-0234

**Cascade Canada Inc.**  
5570 Timberlea Blvd.  
Mississauga, Ontario  
Canada L4W-4M6  
Tel: 905-629-7777  
FAX: 905-629-7785

**Cascade GmbH**  
D-41199 Monchengladbach  
Klosterhofweg 52  
Germany  
Tel: 21-66-602091  
FAX: 21-66-680947

**Cascade Finland**  
01370 Vantas  
Finland  
Tel: 358-0-836-1925  
FAX: 358-0-836-1935

**Cascade N.V.  
European Headquarters**  
P.O. Box 3009  
1300 El Almere  
Damsluisweg 56  
1332 ED Almere  
The Netherlands  
Tel: 31-36-5492911  
FAX: 31-36-5492964

**Cascade N.V.  
Benelux Sales and Service**  
P.O. Box 3009  
1300 El Almere  
Damsluisweg 56  
1332 ED Almere  
The Netherlands  
Tel: 31-36-5492950  
FAX: 31-36-5492974

**Cascade (UK) Ltd.**  
15, Orgreave Crescent  
Dore House Industrial Estate  
Handsworth  
Sheffield S13 9NQ  
England  
Tel: 742-697524  
FAX: 742-695121

**Cascade Scandinavia  
Hydraulik A.B.**  
Muskötgatan 19, E8-9  
S25466 Helsingborg  
Sweden  
Tel: 42-151135  
FAX: 42-152997

**Cascade Norway**  
Østerliveien 37A  
1153 Oslo  
Norway  
Tel: 47-22-743160  
FAX: 47-22-743157

**Cascade France S.A.R.L.**  
11, Rue Jean Charcot  
Zone Industrielle Sud or  
B.P. 22  
91421 Morangis Cedex  
France  
Tel: 1- 64547501  
FAX: 1-9790584

**Cascade Hispania S.A.**  
Avenida De La Fabregada, 7  
Hospitalet De Llobregat  
Barcelona  
Spain  
Tel: 3-335-5158  
FAX: 3-335-4756

**Cascade Japan Ltd.**  
5-5-41,  
Torikai Kami  
Settsu, Osaka  
Japan, 566  
Tel: 81-726-53-3490  
FAX: 81-726-53-3497

**Cascade Korea**  
Room 508, Pum Yang Bldg.  
750-14, Bang Bac-Dong  
Se-Cho Ku, Seoul  
Korea  
Tel: 2599-7131 ext. 512  
FAX: 2533-8089

**HYCO-Cascade Pty. Ltd.**  
1445 Ipswich Road  
Rocklea,  
Queensland 4107  
Australia  
Tel: 3-274-2722  
FAX: 3-274-3456

**HYCO-Cascade (NZ) Ltd.**  
15 Ra Ora Drive, East Tamaki  
P.O. Box 38-440  
Howick, Auckland  
New Zealand  
Tel: 9-273-9136  
FAX: 9-273-9137

**Cascade (Africa) Pty. Ltd.**  
P.O. Box 625, Isando 1600  
60A Steel Road  
Sparton, Kempton Park  
South Africa  
Tel: 975-9240  
FAX: 394-1147

**Cascade-Xiamen**  
Wanshan No. 1 Workshop  
Huli Road  
Xiamen 361006  
Fujian, PRC  
Tel: 592-562-4600  
FAX: 592-562-4671

**Cascade (Singapore)  
Trading Co.**  
Four Seasons Park  
Autumn Block - Apt. 1802  
12 Cascaden Walk  
Singapore  
Tel: 65-834-1935  
FAX: 65-834-1936

