



Parts Manual

Model _____ **Fork Positioner**

Serial Number _____ **120C-FPS-130**

cascade[®]

For Technical Assistance call: 800-227-2233, Fax: 888-329-8207

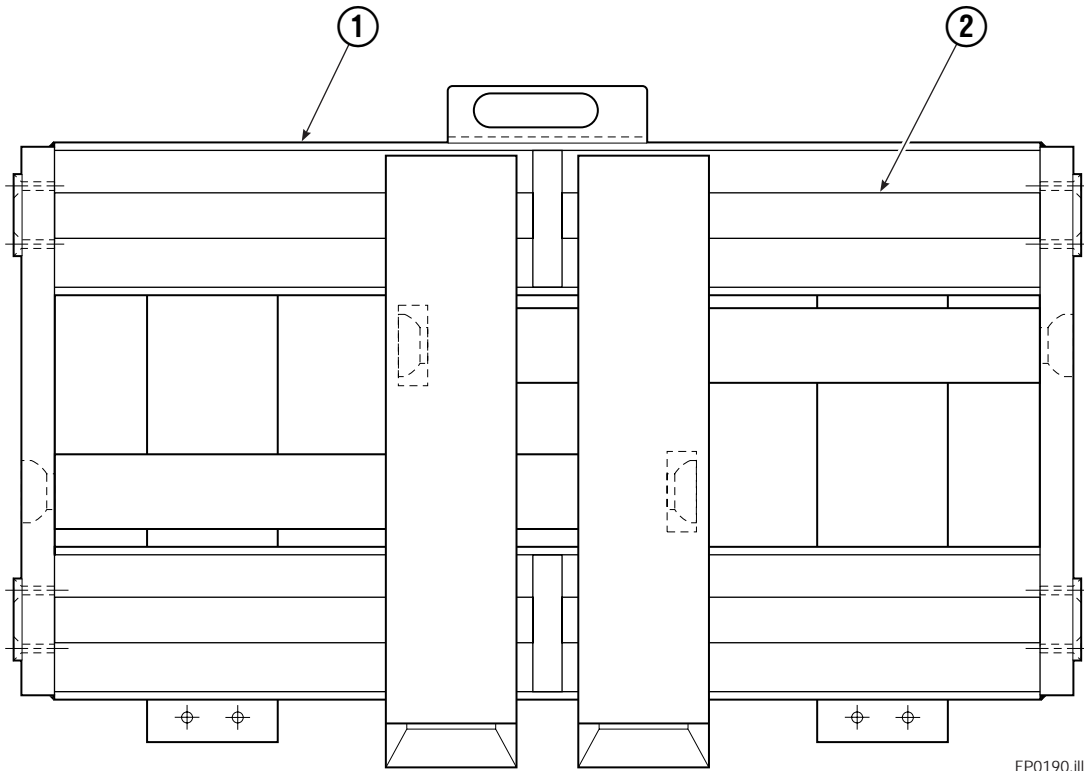
To Order Parts call: 888-227-2233, Fax: 888-329-0234

OR

Write: Cascade Corporation, P.O. Box 20187, Portland, OR 97220

Internet: www.cascorp.com

Frame Group

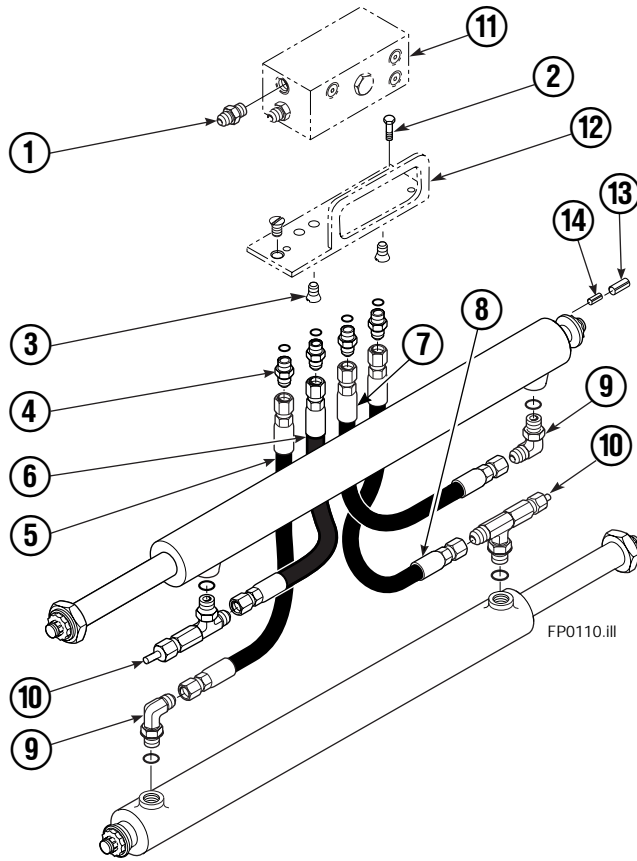


FP0190.iii

| REF | QTY | PART NO. | DESCRIPTION |
|-----|-----|----------|---------------------|
| | | 214476 | Frame Group, 48 in. |
| 1 | 1 | 393350 | Frame |
| 2 | 2 | 830814 | Shaft |

Reference: Hydraulic Group 381520
 Hose Group 384618
 Cylinder 383034
 Common Parts 381515

Hydraulic Valve Group



| 120C | | | |
|------|-----|---------|-------------------------|
| REF | QTY | PART NO | DESCRIPTION |
| | | 381520 | Hydraulic Valve Group ★ |
| | | 384618 | Hose Group ▲ |
| 1 | 1 | 601377 | Fitting, 8-8 |
| 2 | 1 | 643524 | Capscrew |
| 3 | 3 | 4750 | Capscrew, .375x.750 |
| 4 | 4 | 611288 | Fitting, 6-8 |
| 5 | 1 | 681231 | Hose |
| 6 | 1 | 380315 | Hose |
| 7 | 1 | 380315 | Hose |
| 8 | 1 | 681231 | Hose |
| 9 | 2 | 601676 | Fitting-90, 6-6 |
| 10 | 2 | 617487 | Elbow Restrictor ● |
| 11 | 1 | 668861 | Valve Assembly ■ |
| 12 | 1 | 844137 | Bracket |
| 13 | 2 | 7961 | Roll Pins |
| 14 | 2 | 7882 | Roll Pins |

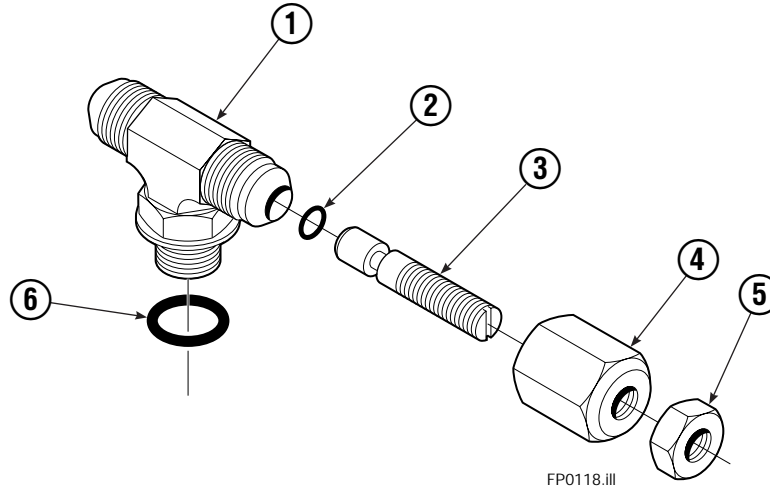
★ Includes items 1-4 & 9-12.

▲ Includes items 5-8.

● See Elbow Restrictor page for parts breakdown.

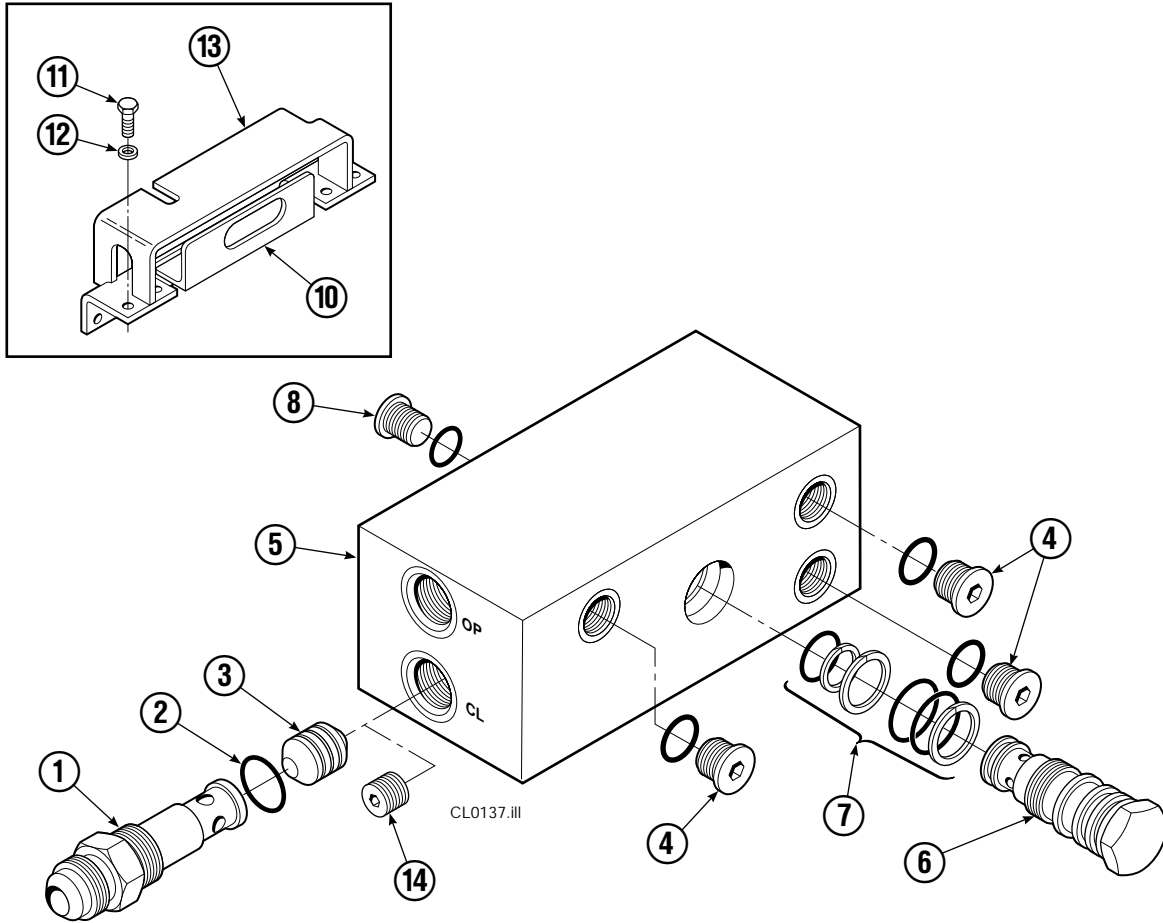
■ See Valve Assembly page for parts breakdown.

Restrictor Fitting



| REF | QTY | PART NO. | DESCRIPTION |
|-----|-----|----------|---------------------|
| | | 617487 | Restrictor Assembly |
| 1 | 1 | 617486 | Tee |
| 2 | 1 | 2698 | O-Ring |
| 3 | 1 | 11100 | Setscrew |
| 4 | 1 | 11099 | Cap |
| 5 | 1 | 5715 | Jam Nut |
| 6 | 1 | 2840 | O-Ring |

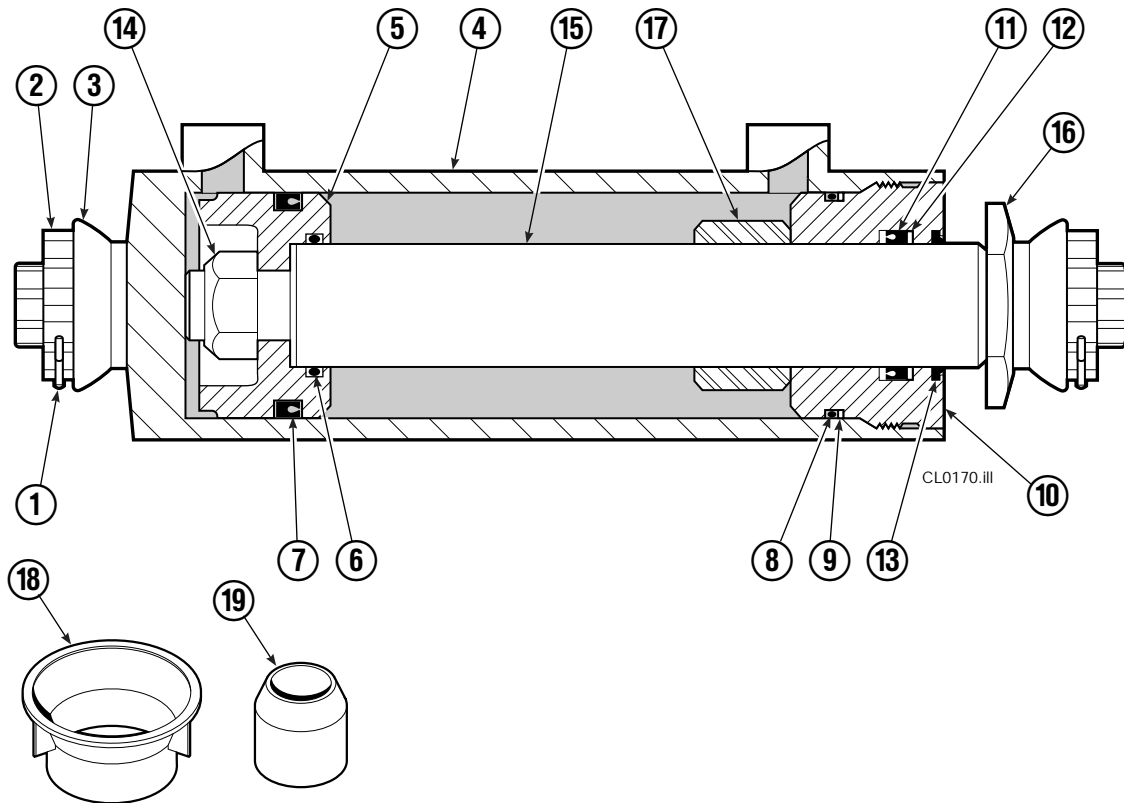
Check Valve Non-Sideshift



| REF | QTY | PART NO. | DESCRIPTION |
|-----|-----|----------|-------------------------------|
| ★ | | 668861 | Check Valve - Non-Sideshift |
| 1 | 1 | 667490 | Special Fitting |
| ● | 2 | 2841 | O-Ring |
| 3 | 1 | 667471 | Spool |
| 4 | 3 | 609455 | Fitting |
| 5 | 1 | 668862 | Valve Body |
| 6 | 1 | 678270 | Check Valve - V.P.O. |
| ● | 1 | 661347 | Service Kit |
| 8 | 1 | 604510 | Fitting, 6 |
| 10 | 1 | ▲ | Bracket |
| 11 | 4 | 670004 | Capscrew, 1/2 NC x 1.25 |
| 12 | 4 | 6232 | Washer |
| 13 | 1 | 670000 | Guard |
| ■ | 1 | 676343 | Regeneration Elimination Plug |
| | | 668864 | Service Kit |

- Included in Service Kit 668864.
- ★ Includes items 1 thru 8 only.
- ▲ See Frame and Weldment Assembly page.
- For eliminating regeneration circuit only.
(See Technical Bulletin Number 121)

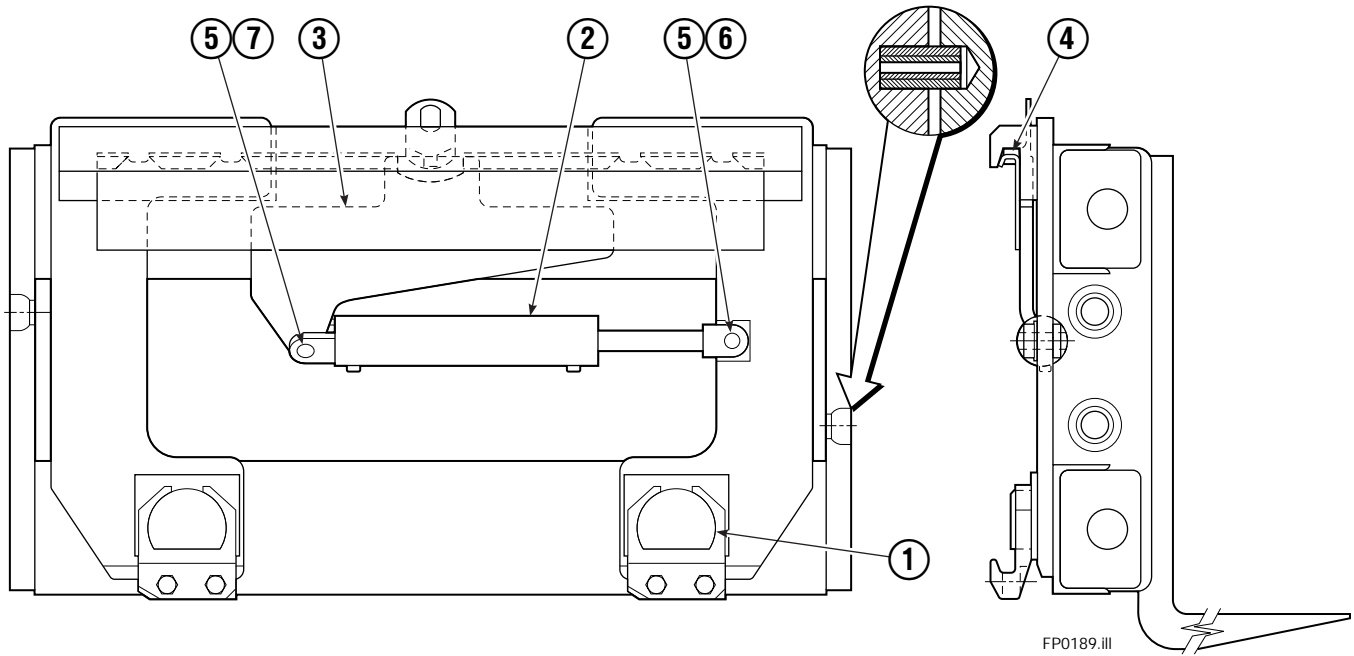
Cylinder



| 120C | | | |
|------|-----|----------|-----------------------|
| REF | QTY | PART NO. | DESCRIPTION |
| | | 383034 | Cylinder Assembly |
| 1 | 2 | ■ 6511 | Cotter Pin |
| 2 | 2 | ■ 667667 | Retainer |
| 3 | 2 | ■ 667668 | Nut |
| 4 | 1 | 564906 | Shell |
| 5 | 1 | 558402 | Piston |
| 6 | 1 | ✕ 2722 | O-Ring |
| 7 | 1 | ✕ 557376 | Seal |
| 8 | 1 | ✕ 2791 | O-Ring |
| 9 | 1 | ✕ 615134 | Back-Up Ring |
| 10 | 1 | 667675 | Retainer |
| 11 | 1 | ✕ 662451 | Seal |
| 12 | 1 | ✕ 638246 | Nylon Ring |
| 13 | 1 | ✕ 628047 | Wiper |
| 14 | 1 | 561012 | Nut |
| 15 | 1 | 564954 | Rod |
| 16 | 1 | 667676 | Washer |
| 17 | 1 | 829236 | Spacer |
| 18 | 1 | ✕ 671049 | Seal Loader, Piston |
| 19 | 1 | ✕ 671052 | Seal Loader, Retainer |
| | | 667723 | Service Kit |

✕ Included in Service Kit.
 ■ Included in Nut Service Kit 668925.
 Ref: S-5564, S-5565

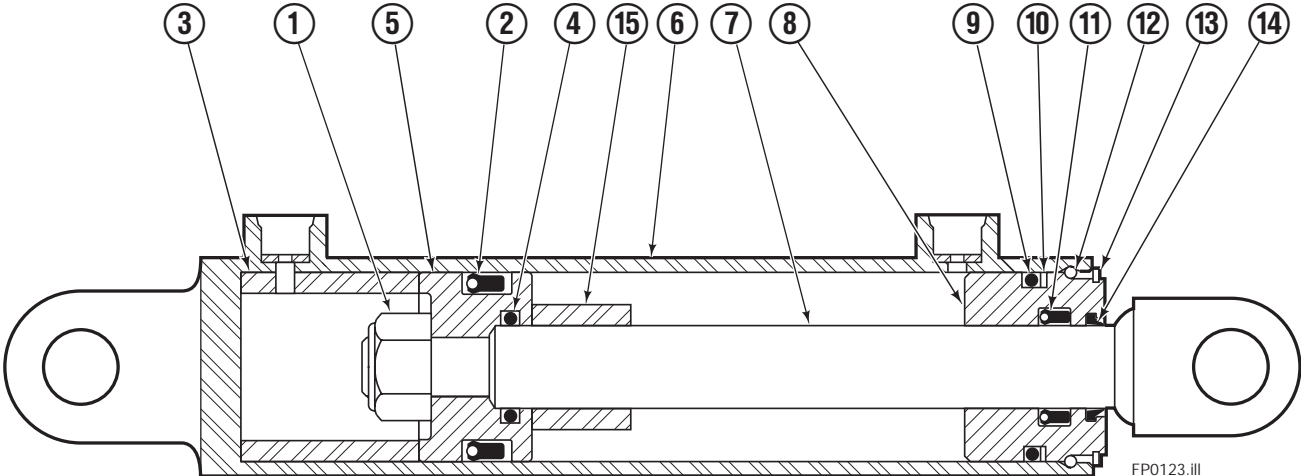
Common Parts Group



| 120C | | | |
|------|-----|----------|-------------------------|
| REF | QTY | PART NO. | DESCRIPTION |
| | | 381515 | Common Parts Group |
| 1 | 2 | 676650 | Bearing - Lower |
| 2 | 1 | 686243 | Cylinder Assembly ▲ |
| 3 | 1 | 841031 | Anchor Bracket Weldment |
| 4 | 2 | 672018 | Bearing Segment - Upper |
| 5 | 2 | 686217 | Cotter Pin |
| 6 | 1 | 686214 | Pin - Clevis |
| 7 | 1 | 686215 | Pin - Clevis |

▲ See Sideshift Cylinder page for parts breakdown.

Sideshift Cylinder

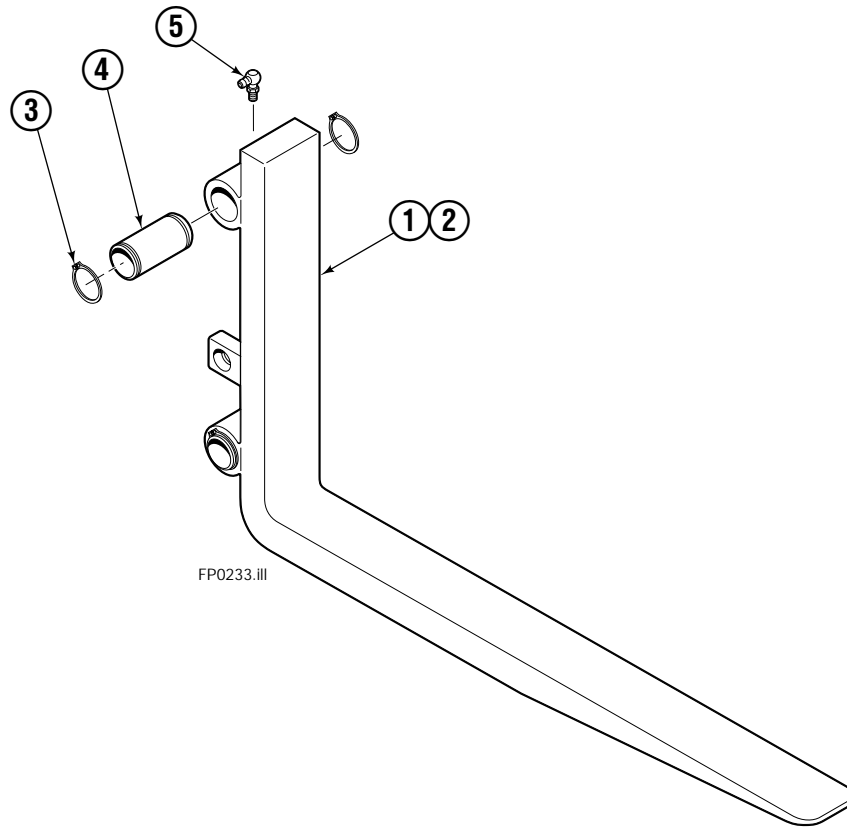


| REF | QTY | PART NO. | DESCRIPTION |
|------|-----|----------|-------------------|
| | | 686243 | Cylinder Assembly |
| 1 | 1 | 561012 | Nut |
| ■ 2 | 1 | 662457 | Seal |
| 3 | 1 | 564562 | Spacer - Head |
| ■ 4 | 1 | 2718 | O-Ring |
| 5 | 1 | 561427 | Piston |
| 6 | 1 | 561422 | Shell |
| 7 | 1 | 561422 | Rod |
| 8 | 1 | 561428 | Retainer |
| ■ 9 | 1 | 2791 | O-Ring |
| ■ 10 | 1 | 615134 | Back-up Ring |
| ■ 11 | 1 | 662449 | Seal |
| 12 | 1 | 561429 | Retaining Ring |
| 13 | 1 | 7215 | Snap Ring |
| ■ 14 | 1 | 626468 | Wiper |
| 15 | 1 | --- | Spacer - Rod |
| | | 561430 | Service Kit |

■ Included in Service Kit 561430.

Ref: S-6053, S-6054

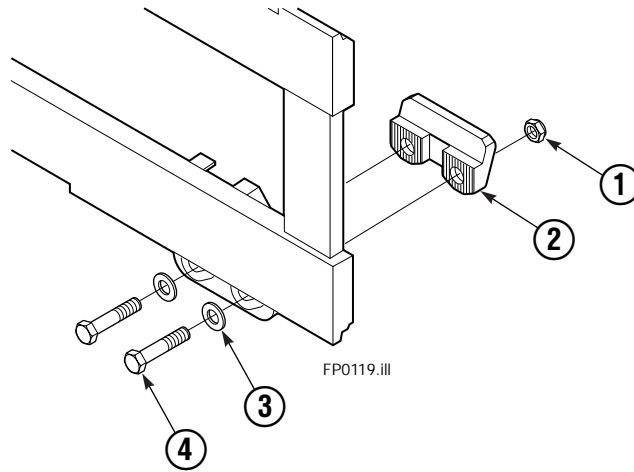
Fork Group



| REF | QTY | PART NO. | DESCRIPTION |
|-----|-----|----------|----------------|
| | | 6100862 | Fork Group |
| 1 | 1 | 6100860 | Fork, LH |
| 2 | 1 | 6100861 | Fork, RH |
| 3 | 8 | 7223 | Retaining Ring |
| 4 | 4 | 828468 | Bushing |
| 5 | 4 | 828471 | Lube Fitting |

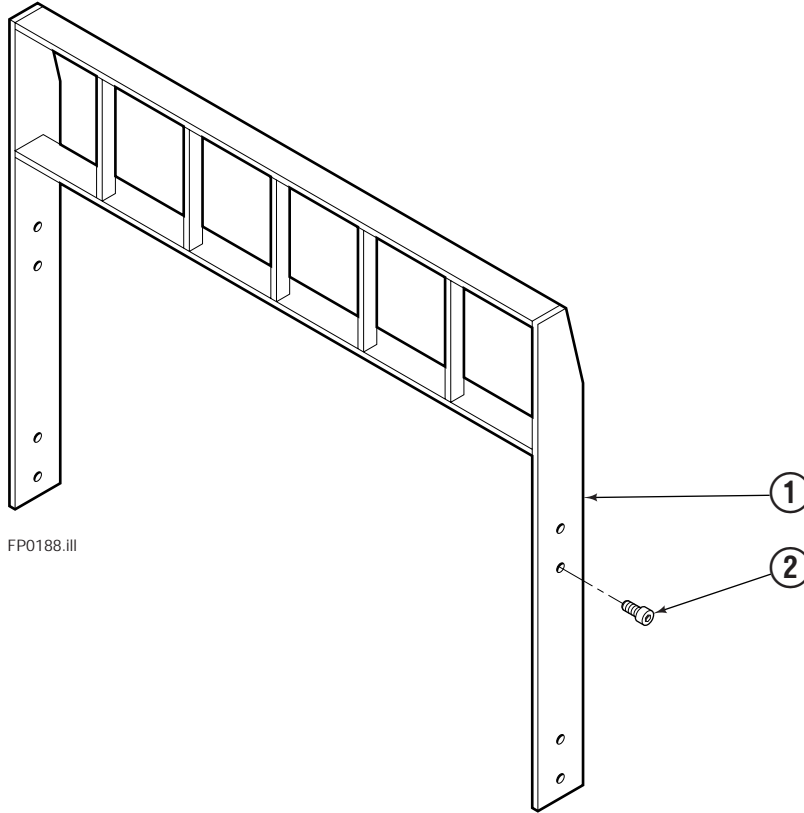
Reference: S-8622, S-8625.

Mounting Group



| 120C/150C Class IV | | | |
|--------------------|-----|----------|----------------|
| REF | QTY | PART NO. | DESCRIPTION |
| | | 381517 | Mounting Group |
| 1 | 4 | 553857 | Nut |
| 2 | 2 | 678034 | Lower Hook |
| 3 | 4 | 667225 | Washer |
| 4 | 4 | 638601 | Capscrew |

Backrest



| REF | QTY | PART NO. | DESCRIPTION |
|-----|-----|----------|-------------------|
| | | 214446 | Backrest |
| 1 | 1 | 830916 | Backrest Weldment |
| 2 | 8 | 4771 | Capscrew |

Reference: S-8604

Do you have questions you need answered right now? Call your nearest Cascade Parts Department.

Cascade Corporation
2501 Sheridan Avenue
Springfield, OH 45505
Tel: 888-CASCADE (227-2233)
FAX: 888-329-0234
www.cascorp.com

Cascade Canada Inc.
5570 Timberlea Blvd.
Mississauga, Ontario
Canada L4W-4M6
Tel: 905-629-7777
FAX: 905-629-7785

Cascade GmbH
D-41199 Monchengladbach
Klosterhofweg 52
Germany
Tel: 21-66-602091
FAX: 21-66-680947

Cascade Finland
01370 Vantas
Finland
Tel: 358-0-836-1925
FAX: 358-0-836-1935

**Cascade N.V.
European Headquarters**
P.O. Box 3009
1300 El Almere
Damsluisweg 56
1332 ED Almere
The Netherlands
Tel: 31-36-5492911
FAX: 31-36-5492964

**Cascade N.V.
Benelux Sales and Service**
P.O. Box 3009
1300 El Almere
Damsluisweg 56
1332 ED Almere
The Netherlands
Tel: 31-36-5492950
FAX: 31-36-5492974

Cascade (UK) Ltd.
15, Orgreave Crescent
Dore House Industrial Estate
Handsworth
Sheffield S13 9NQ
England
Tel: 742-697524
FAX: 742-695121

**Cascade Scandinavia
Hydraulik A.B.**
Muskötgatan 19, E8-9
S25466 Helsingborg
Sweden
Tel: 42-151135
FAX: 42-152997

Cascade Norway
Østerliveien 37A
1153 Oslo
Norway
Tel: 47-22-743160
FAX: 47-22-743157

Cascade France S.A.R.L.
11, Rue Jean Charcot
Zone Industrielle Sud or
B.P. 22
91421 Morangis Cedex
France
Tel: 1- 64547501
FAX: 1-9790584

Cascade Hispania S.A.
Avenida De La Fabregada, 7
Hospitalet De Llobregat
Barcelona
Spain
Tel: 3-335-5158
FAX: 3-335-4756

Cascade Japan Ltd.
5-5-41,
Torikai Kami
Settsu, Osaka
Japan, 566
Tel: 81-726-53-3490
FAX: 81-726-53-3497

Cascade Korea
Room 508, Pum Yang Bldg.
750-14, Bang Bac-Dong
Se-Cho Ku, Seoul
Korea
Tel: 2599-7131 ext. 512
FAX: 2533-8089

HYCO-Cascade Pty. Ltd.
1445 Ipswich Road
Rocklea,
Queensland 4107
Australia
Tel: 3-274-2722
FAX: 3-274-3456

HYCO-Cascade (NZ) Ltd.
15 Ra Ora Drive, East Tamaki
P.O. Box 38-440
Howick, Auckland
New Zealand
Tel: 9-273-9136
FAX: 9-273-9137

Cascade (Africa) Pty. Ltd.
P.O. Box 625, Isando 1600
60A Steel Road
Sparton, Kempton Park
South Africa
Tel: 975-9240
FAX: 394-1147

Cascade-Xiamen
Wanshan No. 1 Workshop
Huli Road
Xiamen 361006
Fujian, PRC
Tel: 592-562-4600
FAX: 592-562-4671

**Cascade (Singapore)
Trading Co.**
Four Seasons Park
Autumn Block - Apt. 1802
12 Cascaden Walk
Singapore
Tel: 65-834-1935
FAX: 65-834-1936

