



# Parts Manual

---

Model Single-Double Pallet Handler

Serial Number 55E-FDS-988

---

**cascade**<sup>®</sup>  
**corporation**

**For Technical Assistance call:** 800-227-2233, Fax: 888-329-8207

**To Order Parts call:** 888-227-2233, Fax: 888-329-0234

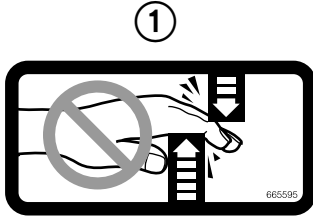
**OR**

**Write:** Cascade Corporation, P.O. Box 20187, Portland, OR 97220

**Internet:** [www.cascorp.com](http://www.cascorp.com)



# Decals



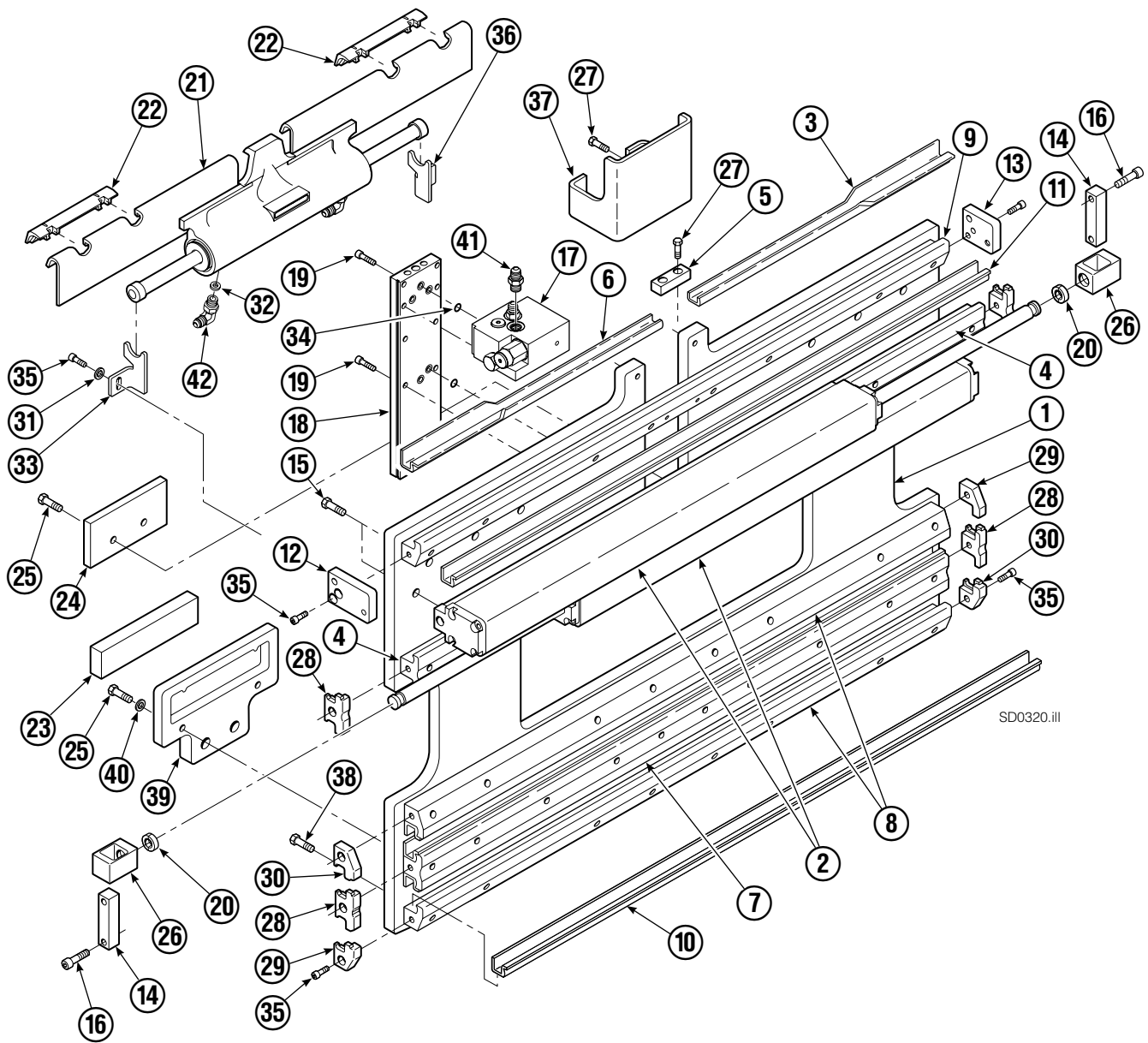
55E			
REF	QTY	PART NO.	DESCRIPTION
1	6	665595	No Hand Hold Decal
2	4	679150	No Step Decal

# Publications



55E	
PART NO.	DESCRIPTION
215793	Service Manual
213580	Operator's Guide
213372	Installation Instructions
679929	Tool Catalog
673964	Literature Index Order Form

# Base Unit Group – ITA Class II



# Base Unit Group – ITA Class II

55E			
REF	QTY	PART NO.	DESCRIPTION
		6106184	Base Unit Group – Class II
1	1	6106185	Baseplate
2	2	6106191	Frame Cylinder ★
3	1	4786-0570	Bearing Segment – LH
4	2	6106190	T-Bar – Upper (S-4640)
5	1	212722	Fork Stop
6	1	4787-0570	Bearing Segment – RH
7	1	6106189	T-Bar – Lower (S-4726)
8	2	6106188	T-Bar – Lower (S-4727)
9	1	6106187	T-Bar – Upper (S-10241)
10	4	4730-1200	Bearing Segment
11	4	4730-1208	Bearing Segment

★ See Frame Cylinder page for parts breakdown.

## Common Parts

REF	QTY	PART NO.	DESCRIPTION	REF	QTY	PART NO.	DESCRIPTION
		6106193	Common Parts Group	27	4	684649	Capscrew, M10 x 25
12	1	220009	Retainer/Stop – RH	28	4	210140	Bearing Retainer
13	1	6101490	Retainer/Stop – LH	29	2	212585	Bearing Retainer
14	2	210489	Rod End Anchor ■	30	2	212586	Bearing Retainer
15	28	211689	Capscrew, M12 x 30	31	2	787398	Washer
16	2	768303	Capscrew, M10 x 35 ■	32	2	564226	Restrictor Washer
17	1	216838	Valve Assembly ▲	33	1	213737	Bracket – RH
18	1	211456	Manifold	34	7	214053	O-Ring
19	10	768208	Capscrew, M8 x 25	35	14	787375	Capscrew, M8 x 20 GR 8.8
20	4	210490	Retainer Half Ring ■	36	1	213736	Bracket – LH
21	1	205842	Sideshift Cylinder ●	37	1	6007050	Valve Guard
22	2	204187	Upper Bearing	38	28	214487	Capscrew, M12 x 40
23	2	208350	Lower Bearing	39	2	215226	Hanger
24	2	212709	Spacer Block	40	4	787383	Lockwasher, M10
25	8	767615	Capscrew, M10 x 25	41	2	604511	Fitting, 6-6 ◆
26	2	209741	Rod End ■	42	2	601676	Fitting, 6-6 ◆

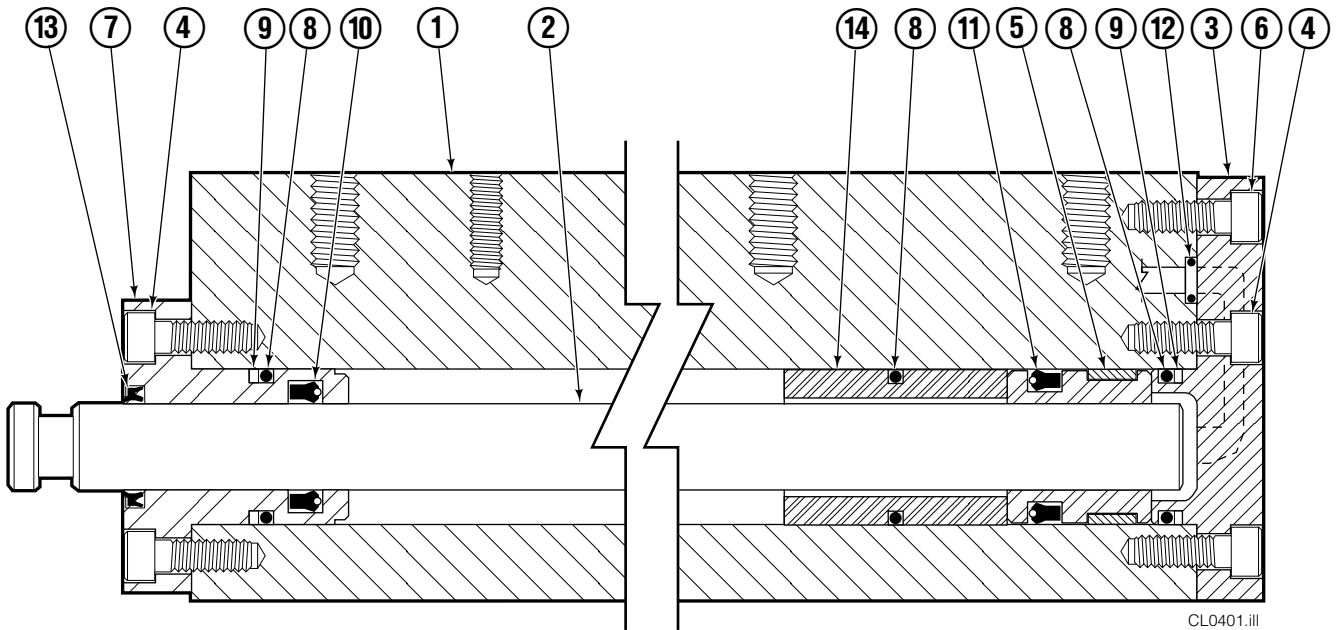
▲ See Valve Assembly page for parts breakdown.

● See Sideshift Cylinder page for parts breakdown.

■ Included in Cylinder Rod Anchor Kit 213856.

◆ Included in Fitting Group 213099.

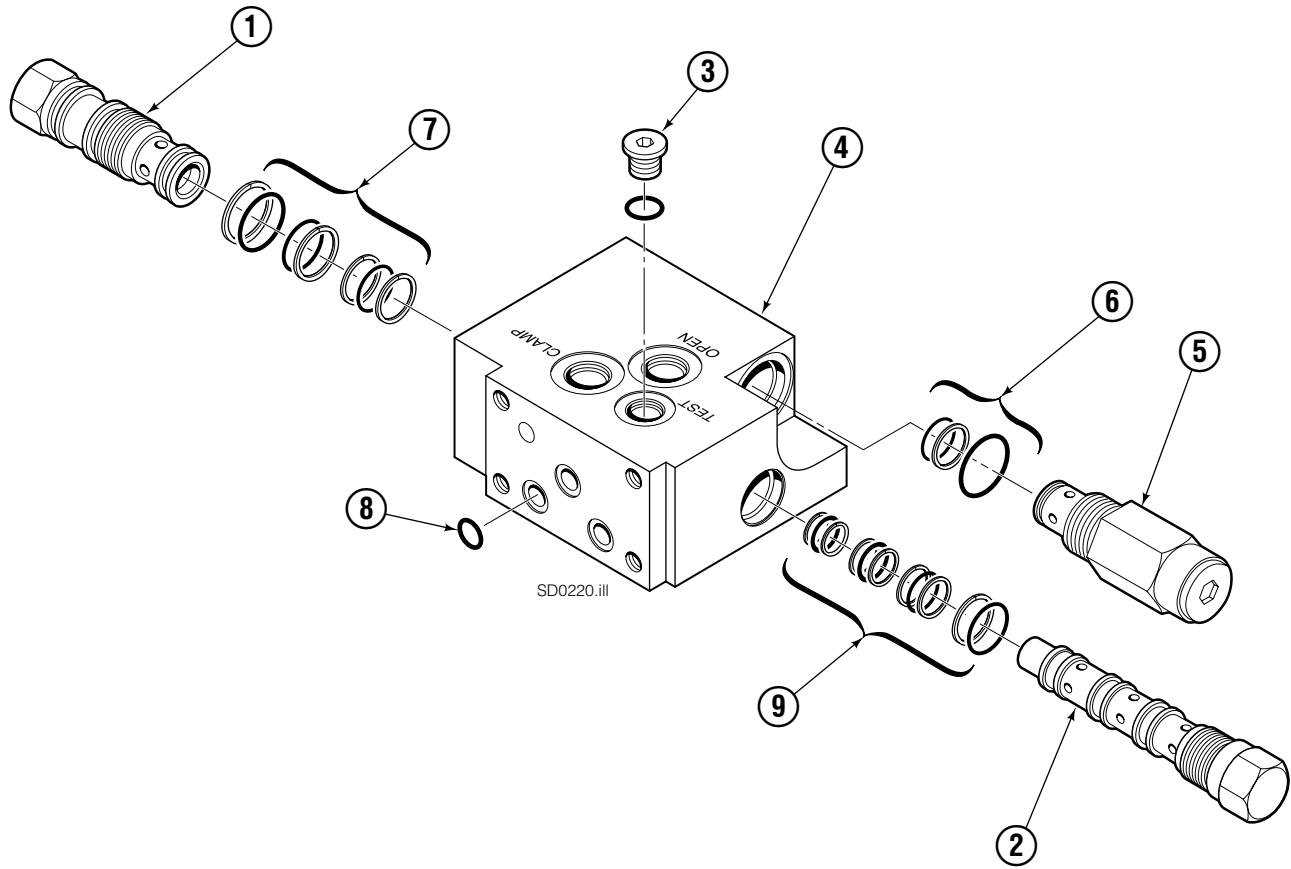
# Cylinder



REF	QTY	PART NO.	DESCRIPTION	REF	QTY	PART NO.	DESCRIPTION
		6106191	Cylinder Assembly	8	3	643379	O-Ring ▲
1	1	6106192	Cylinder/Shell	9	2	210050	Back-Up Ring ▲
2	1	4157-0834	Rod	10	1	212477	Seal ▲
3	1	213783	Cap	11	1	209808	Seal ▲
4	8	768208	Capscrew, M8 x 25	12	2	214053	O-Ring ▲
5	1	209809	Bearing ▲	13	1	562131	Wiper ▲
6	1	787375	Capscrew, M8 x 20	14	1	—	Spacer
7	1	212452	Retainer			210288	Service Kit

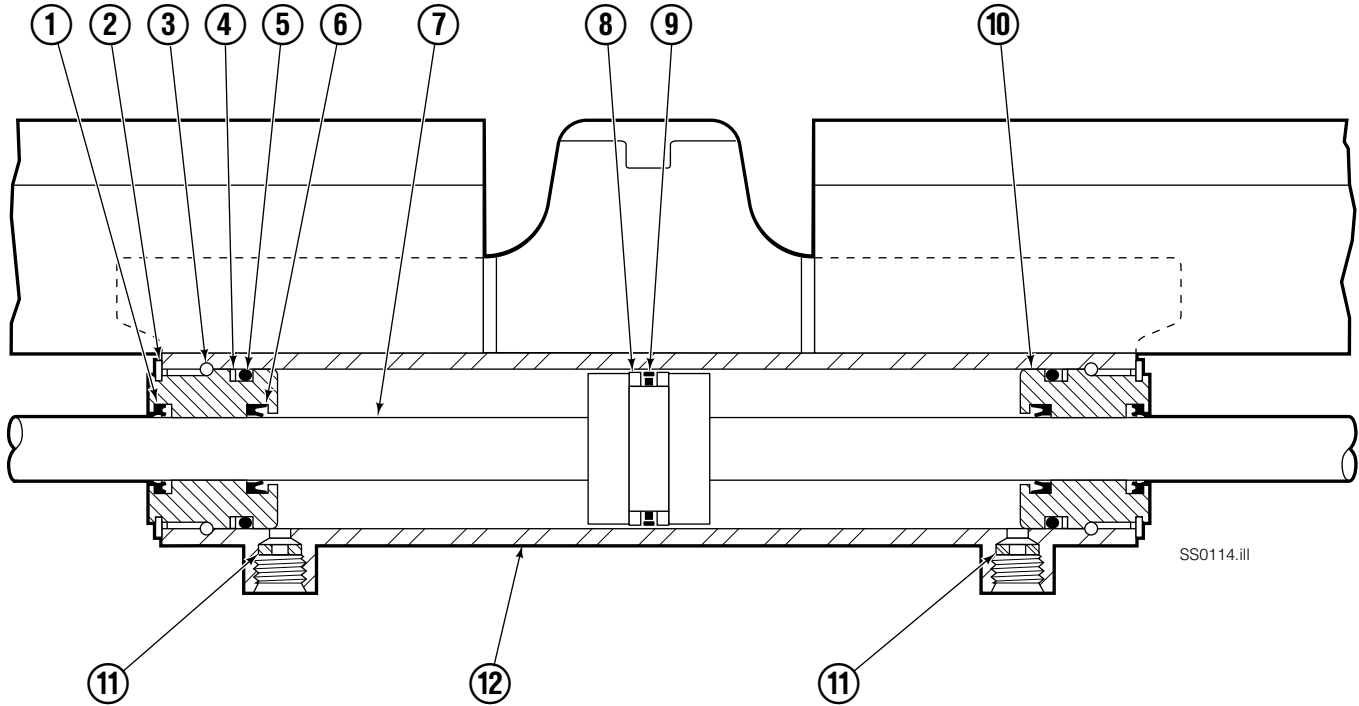
▲ Included in Service Kit 210288  
Reference: S-4644, S-4643.

# Valve ITA Class II & III



REF	QTY	PART NO.	DESCRIPTION
		216838	Valve Assembly
1	1	219039	Check Valve
2	1	219040	Flow Divider/Combiner
3	1	609234	Plug
4	1	216839	Valve Body
5	1	213535	Crossover Relief Valve
6	1	220151	Service Kit
7	1	222996	Service Kit
8	3	214053	O-Ring
9	1	220148	Service Kit

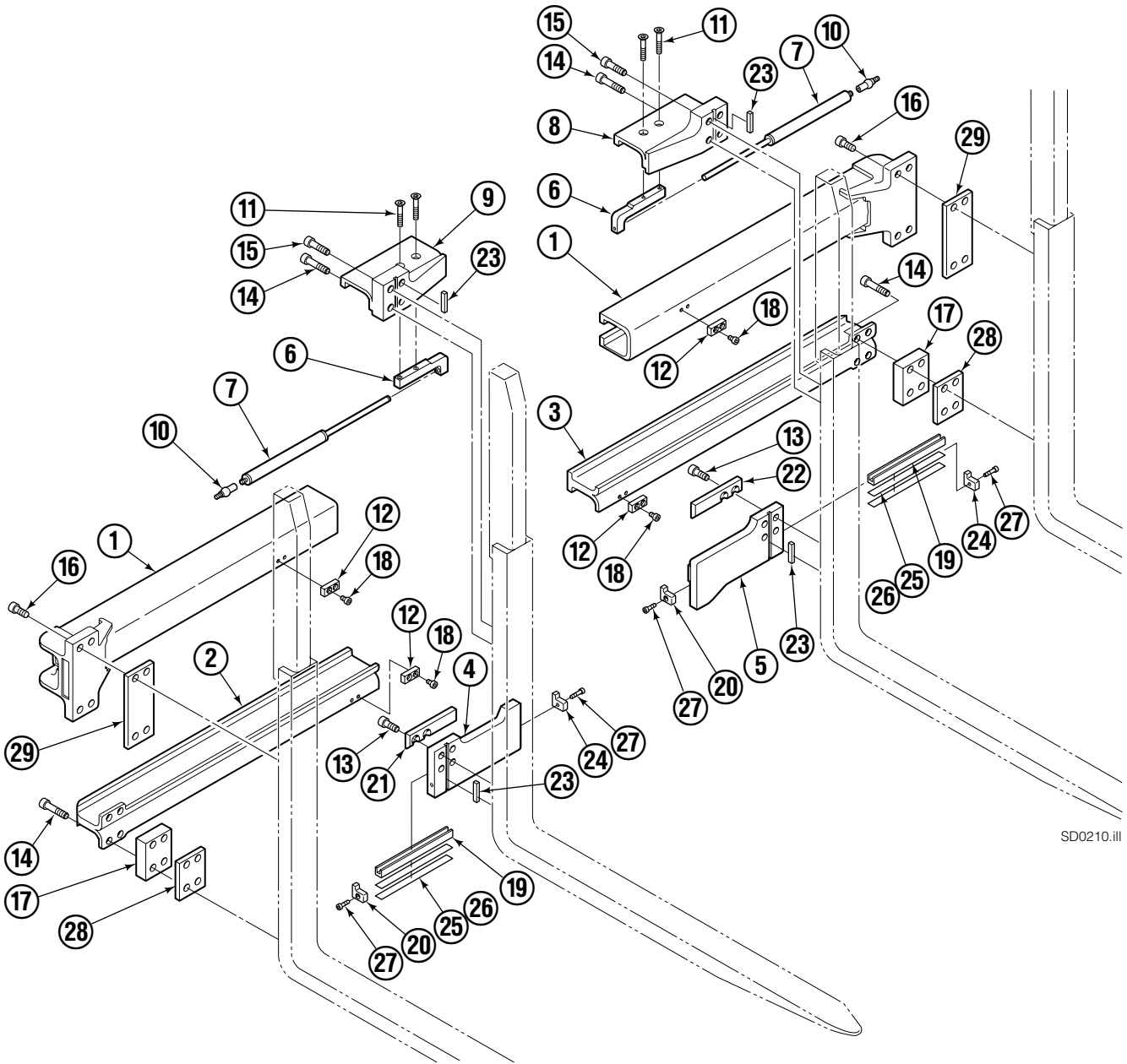
# Sideshift Cylinder ITA Class II



55E			
REF	QTY	PART NO.	DESCRIPTION
		205842	Cylinder Assembly
● 1	2	562131	Wiper Seal
2	2	562951	Snap Ring
3	2	562942	Retaining Ring
● 4	2	563388	Back-Up Ring
● 5	2	562127	O-Ring
● 6	2	562132	Rod Seal
7	1	562055	Rod
● 8	2	563278	Bearing Ring
● 9	1	564141	Piston Seal
10	2	562792	Retainer
11	2	564226	Speed Control Washer ▲
12	-	■	Cylinder Shell
		563487	Service Kit

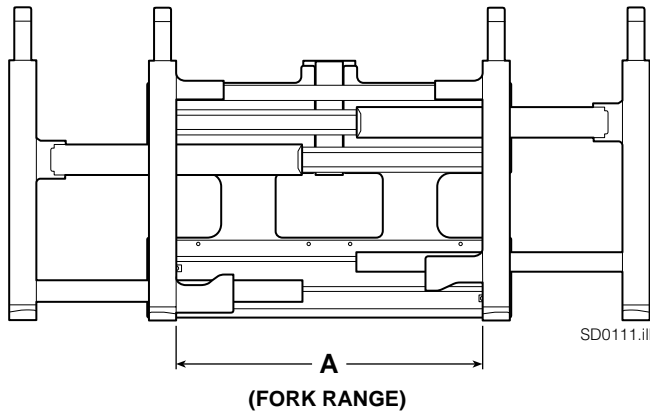
- Included in Service Kit 563487.
- Not serviceable, order new cylinder assembly.
- ▲ Reference: Restrictor Group 205369.

# Arm Group



SD0210.III

# Arm Group



**NOTE:** Position the inner forks to maximum width and measure **A** to determine maximum inner fork inside to inside (ITI) range.

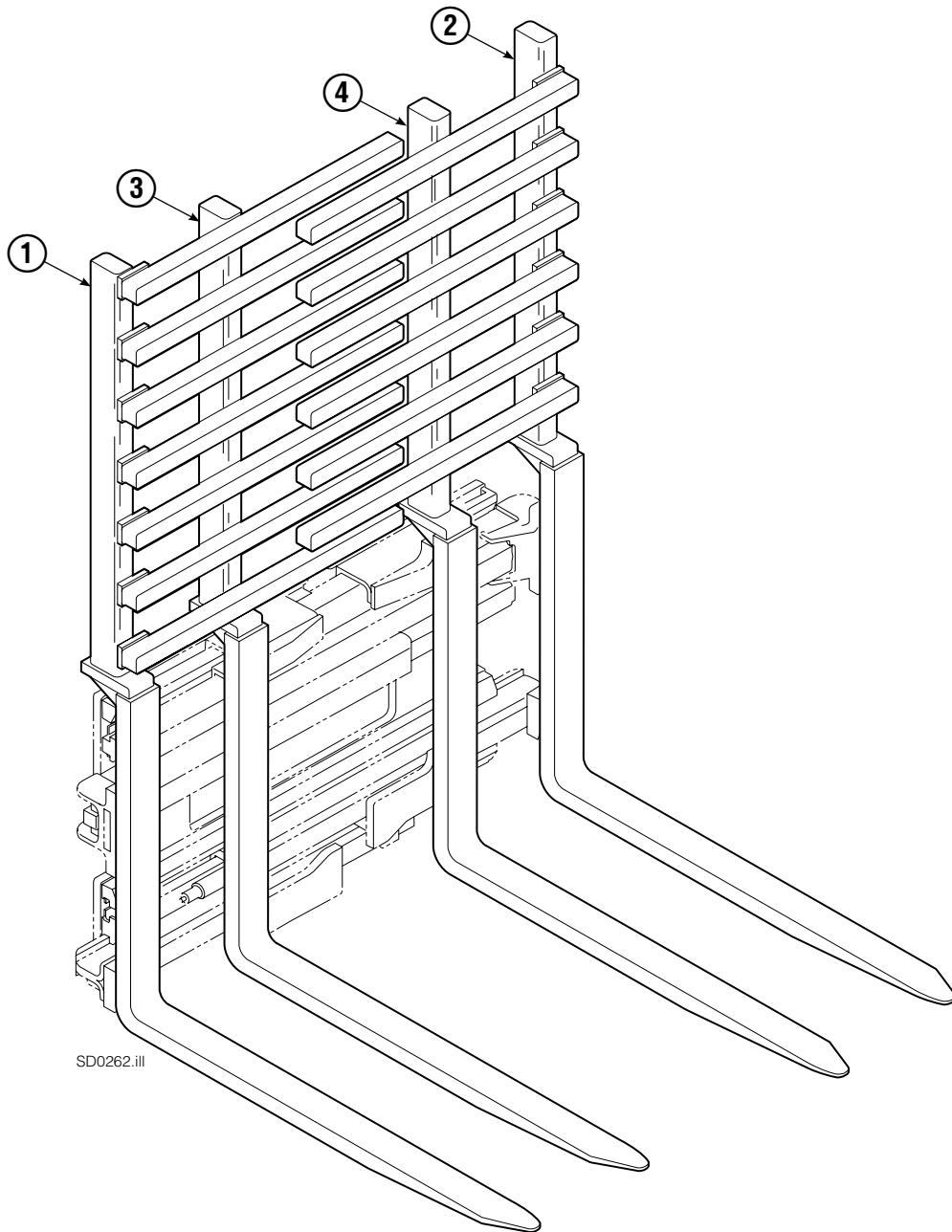
<b>55E</b>			
REF	QTY	PART NO.	DESCRIPTION
		6106194	Arm Group
1	2	6106195	Upper Arm Bar
2	1	6106197	Lower Arm Bar – RH
3	1	6106196	Lower Arm Bar – LH
4	1	220141	Lower Hook – RH
5	1	6106200	Lower Hook – LH
6	2	28182-0417	Bracket
7	2	6106202	Gas Spring

## Common Parts

REF	QTY	PART NO.	DESCRIPTION	REF	QTY	PART NO.	DESCRIPTION
8	1	6106198	Upper Hook – LH	19	2	4501-0222	Bearing Segment
9	1	6106199	Upper Hook – RH	20	2	212979	Bearing Retainer
10	2	213011	Ball Joint	21	1	212682	Bearing – RH
11	4	766646	Capscrew, M10 x 20	22	1	213899	Bearing – LH
12	4	212687	Fork Stop	23	4	213364	Key
13	8	769574	Capscrew, M16 x 35	24	2	213360	Bearing Retainer
14	12	769578	Capscrew, M16 x 60	25	4	212559	Shim, .04 in. (1 mm)
15	4	769577	Capscrew, M16 x 50	26	4	213913	Shim, .02 in. (.5 mm)
16	8	769573	Capscrew, M16 x 30	27	4	787375	Capscrew, M8 x 20
17	2	210587	Spacer	28	4	797611	Spacer
18	4	214414	Capscrew, M10 x 12	29	4	797610	Spacer

Reference: SK-6373 and 6374, Common Parts Group 220285.

# Interlocking Backrest/Fork Group

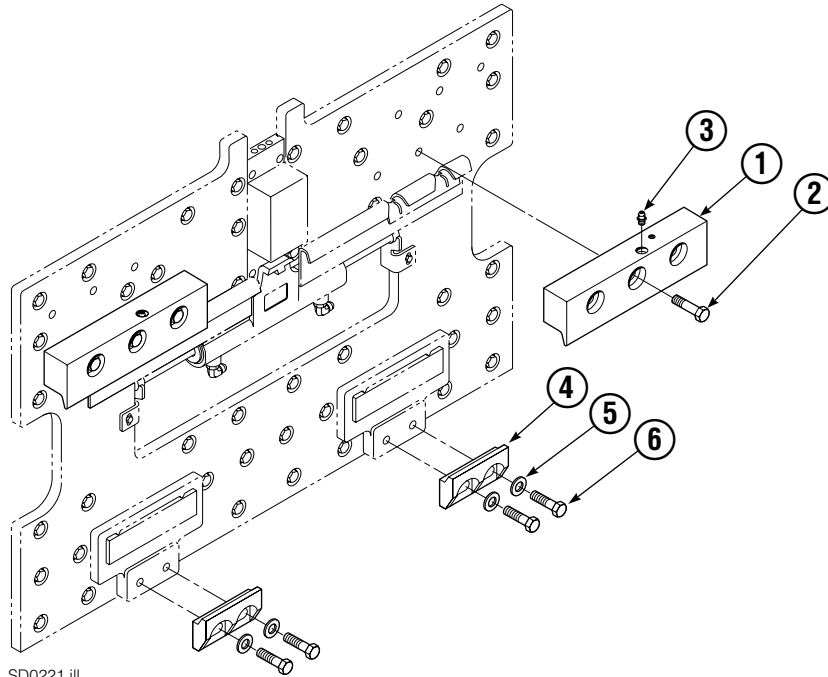


SD0262.ill

REF	QTY	PART NO.	DESCRIPTION
		6106211	Fork Group
1	1	6106213	Outer Fork – RH
2	1	6106212	Outer Fork – LH
3	1	6106215	Inner Fork – RH
4	1	6106214	Inner Fork – LH

Reference: S-4563, S-4558.

# Mounting Group ITA Class II



SD0221.ill

55E			
REF	QTY	PART NO.	DESCRIPTION
		212569	Upper Hook Group ▲
		211173	Lower Hook Group ★
1	2	210591	Upper Hook
2	6	751511	Capscrew, M16 x 55
3	2	7403	Grease Fitting
4	2	675968	Lower Hook
5	4	667225	Washer
6	4	751511	Capscrew, M16 x 55

▲ Includes items 1 & 2.

★ Includes items 4-6.

Reference: SK-6373.



**Do you have questions you need answered right now?** Call your nearest Cascade Parts Department.

**Cascade Corporation**

2501 Sheridan Avenue  
Springfield, OH 45505  
Tel: 888-CASCADE (227-2233)  
FAX: 888-329-0234  
www.cascorp.com

**Cascade Canada Inc.**

5570 Timberlea Blvd.  
Mississauga, Ontario  
Canada L4W-4M6  
Tel: 905-629-7777  
FAX: 905-629-7785

**Cascade GmbH**

D-41199 Monchengladbach  
Klosterhofweg 52  
Germany  
Tel: 49-216-668230  
FAX: 49-216-6682323

**Cascade Finland**

Albert Petreliuksenkatu 3  
01370 Vantaa  
Finland  
Tel: 358-9-836-1925  
FAX: 358-9-836-1935

**Cascade N.V.  
European Headquarters**

P.O. Box 3009  
1300 El Almere  
Damsluisweg 56  
1332 ED Almere  
The Netherlands  
Tel: 31-36-5492911  
FAX: 31-36-5492964

**Cascade N.V.  
Benelux Sales and Service**

P.O. Box 3009  
1300 El Almere  
Damsluisweg 56  
1332 ED Almere  
The Netherlands  
Tel: 31-36-5492950  
FAX: 31-36-5492974

**Cascade (UK) Ltd.**

15, Orgreave Crescent  
Dore House Industrial Estate  
Handsworth  
Sheffield S13 9NQ  
England  
Tel: 742-697524  
FAX: 742-695121

**Cascade Scandinavia AB**

Box 124  
Hammarvägen 10  
567 23 Vaggeryd  
Sweden  
Tel: 42-0-393-36950  
FAX: 46-0-393-36959

**Cascade Norway**

Østerliveien 37A  
1153 Oslo  
Norway  
Tel: 47-22-743160  
FAX: 47-22-743157

**Cascade France S.A.R.L.**

1D Rue De Charaintru  
BP 18, 91360 Epinay-Sur-Orge  
Morangis Cedex, France  
Tel: 33-1- 64547500  
FAX: 33-1-64547501

**Cascade Hispania S.A.**

Carrer 5 Sector C  
Zona Franca Duanera  
Poligono de la Zon Franca  
08040 Barcelona, Spain  
Office No. 256  
Tel: 93-264-07-30  
FAX: 93-264-07-31

**Cascade Japan Ltd.**

5-5-41,  
Torikai Kami  
Settsu, Osaka  
Japan, 566  
Tel: 81-726-53-3490  
FAX: 81-726-53-3497

**Cascade Korea**

108B, Namdong Ind Complex  
658-3 Gojan-Dong  
Namdong-Gu  
Inchon, 405-310 Korea  
Tel: 82-32-821-2051  
FAX: 82-32-821-2055

**Cascade Australia**

1445 Ipswich Road  
Rocklea, QLD 4106  
Australia  
Tel: 1-800227-223  
FAX: (07) 3373-7333

**Cascade New Zealand**

15 Ra Ora Drive  
East Tamaki, Auckland  
New Zealand  
Tel: 9-273-9136  
FAX: 9-273-9137

**Cascade (Africa) Pty. Ltd.**

P.O. Box 625, Isando 1600  
60A Steel Road  
Sparton, Kempton Park  
South Africa  
Tel: 27-11-975-9240  
FAX: 27-11-394-1147

**Cascade-Xiamen**

No. 668 Yangguant Rd.  
Xinyang Industry Zone  
Haicant, Xiamen City  
Fujian Province  
P.R. China 361026  
Tel: 86-592-651-2500  
FAX: 86-592-651-2571

**Cascade (Singapore)  
Trading Co.**

Four Seasons Park  
Autumn Block - Apt. 1802  
12 Cuscaden Walk  
Singapore  
Tel: 65-834-1935  
FAX: 65-834-1936

