



Parts Manual

Model Fork Positioner

Serial Number 55F-FPS-382

cascade[®]
corporation

For Technical Assistance call: 800-227-2233, Fax: 888-329-8207

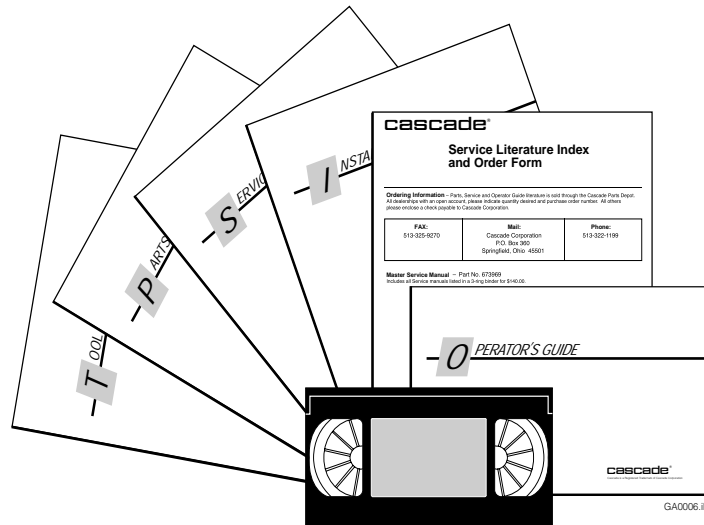
To Order Parts call: 888-227-2233, Fax: 888-329-0234

OR

Write: Cascade Corporation, P.O. Box 20187, Portland, OR 97220

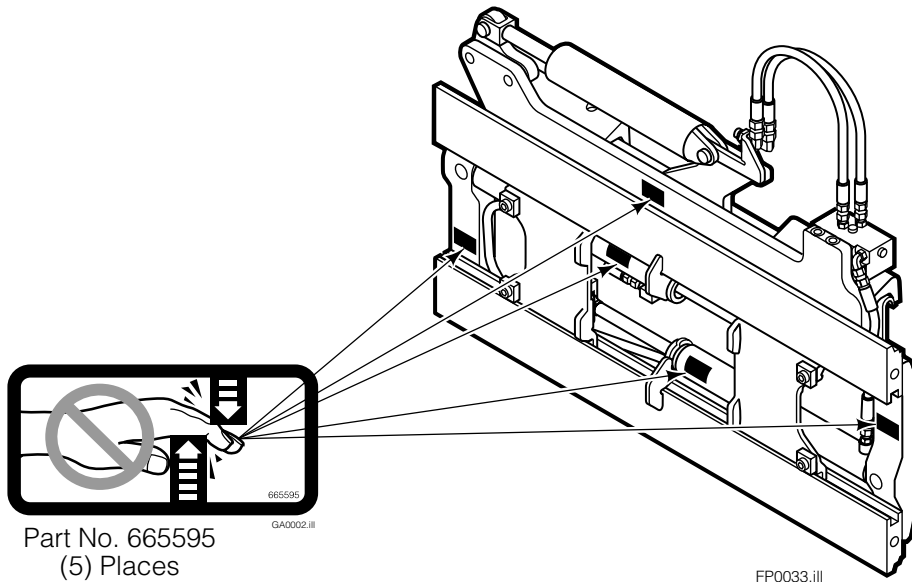
Internet: www.cascorp.com

Publications

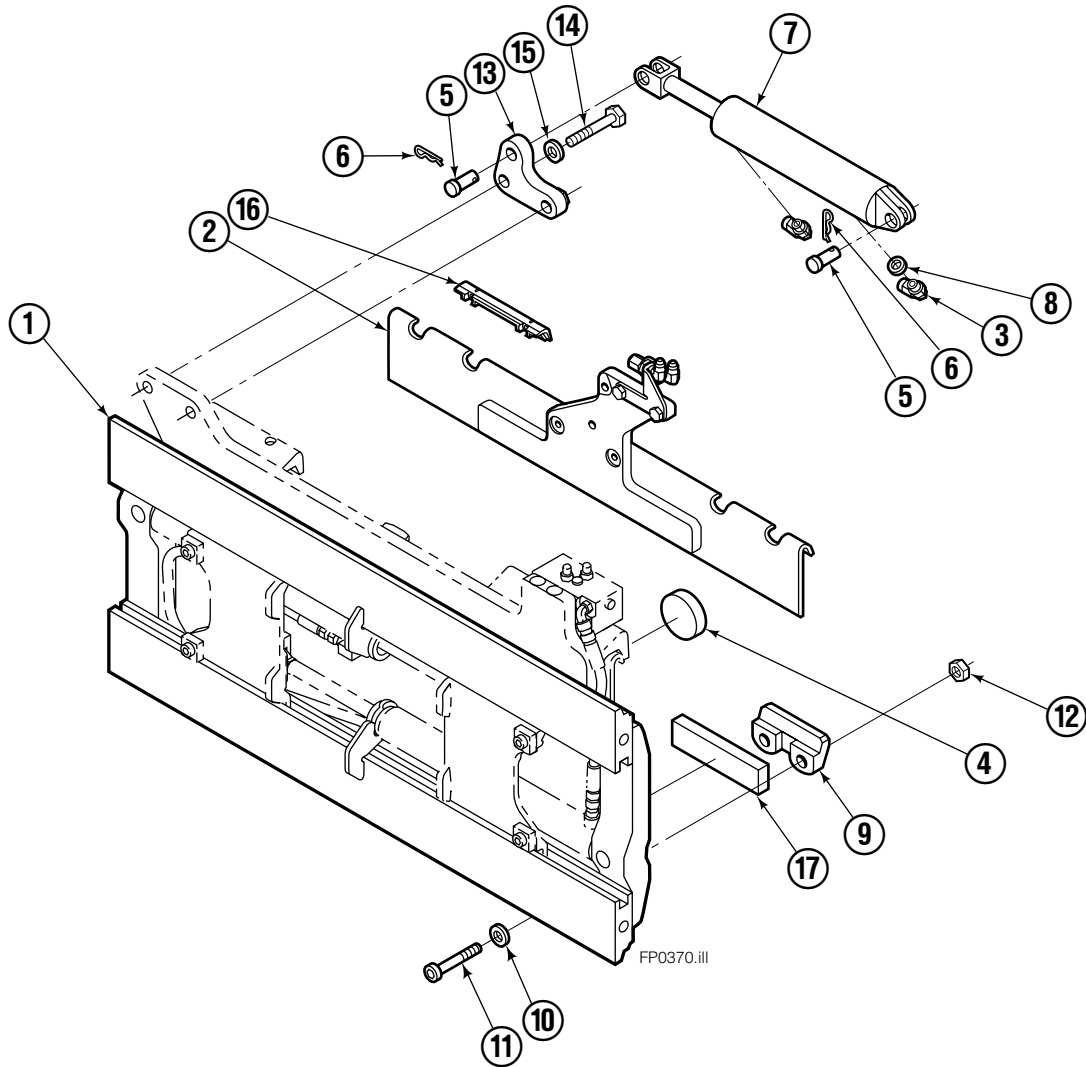


| 55F | |
|----------|---------------------------------|
| PART NO. | DESCRIPTION |
| | Parts Manual |
| 208743 | Service Manual |
| 688261 | Operators Guide |
| 207363 | Installation Instructions |
| 680664 | Servicing Cascade Cylinders-VHS |
| 679929 | Tool Catalog |
| 673964 | Literature Index Order Form |

Safety Decals



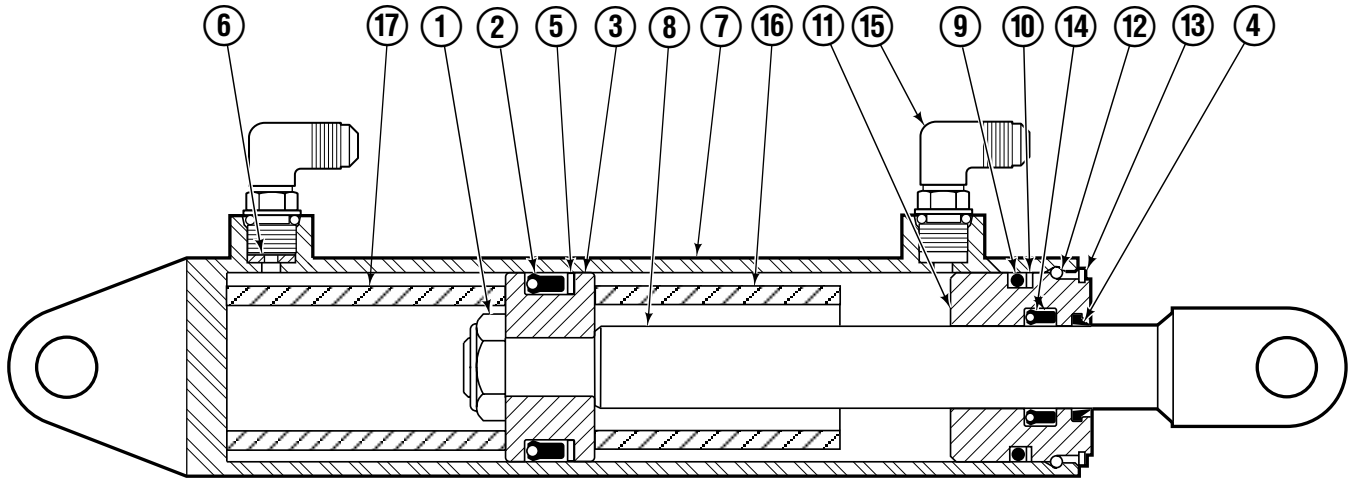
Mounting Group Sideshifting



| 55F | | | | | | | |
|-----|-----|----------|-----------------------------------|-----|-----|----------|--------------------|
| REF | QTY | PART NO. | DESCRIPTION | REF | QTY | PART NO. | DESCRIPTION |
| | | 3012087 | Sideshifting Mounting – 32 in. ■● | 9 | 2 | 204186 | Lower Hook |
| 1 | 1 | 3012088 | Frame – 32 in. ■ | 10 | 4 | 667225 | Washer |
| 2 | 1 | 3012103 | Anchor Bracket – 32 in. ■ | 11 | 4 | 752903 | Capscrew, M16 x 45 |
| 3 | 2 | 601676 | Fitting, 6-6 | 12 | 4 | 678990 | Nut |
| 4 | – | — | Center Bearing | 13 | 1 | 206909 | Lug |
| 5 | 2 | 206926 | Clevis Pin | 14 | 2 | 763024 | Capscrew, M16 x 30 |
| 6 | 2 | 672726 | Cotter Pin | 15 | 2 | 209740 | Lockwasher |
| 7 | 1 | 583813 | Cylinder ◆ | 16 | 2 | 204187 | Upper Bearing |
| 8 | 1 | 675550 | Restrictor Washer (orifice .085) | 17 | 2 | 207209 | Lower Bearing |

- Carriage width.
- Includes items 2 through 17.
- ◆ See Cylinder page for parts breakdown.

Sideshift Cylinder

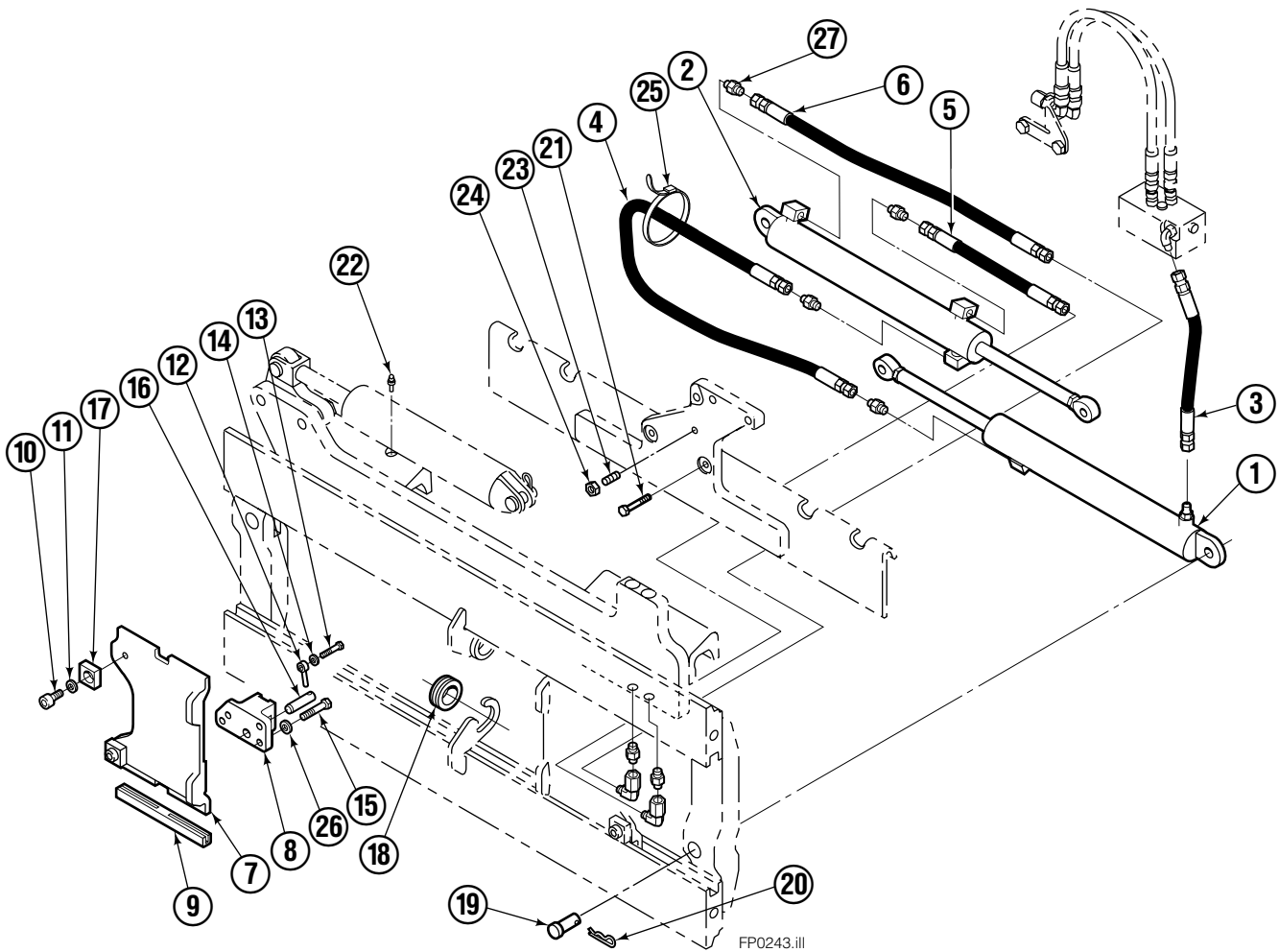


SS0070.eps

| 55D | | | |
|------------|-----|----------|---------------------------|
| REF | QTY | PART NO. | DESCRIPTION |
| | | 583813 | Cylinder Assembly |
| 1 | 1 | 553857 | Nut |
| 2 | 1 | 662452 | ■ Seal |
| 3 | 1 | 553501 | Piston |
| 4 | 1 | 636851 | ■ Wiper |
| 5 | 1 | 638247 | ■ Back-up Ring |
| 6 | 1 | 675550 | Washer (Orifice .085 in.) |
| 7 | 1 | 675549 | Shell |
| 8 | 1 | 553499 | Rod |
| 9 | 1 | 2785 | ■ O-Ring |
| 10 | 1 | 615128 | ■ Back-up Ring |
| 11 | 1 | 553500 | Retainer |
| 12 | 1 | 553856 | Retaining Ring |
| 13 | 1 | 7202 | Snap Ring |
| 14 | 1 | 641835 | ■ Seal |
| 15 | 2 | 667222 | Fitting, 5-6 |
| 16 | 1 | 748852 | Spacer |
| 17 | 1 | 737434 | Spacer |
| | | 553861 | Service Kit |

■ Included in Service Kit 553861.

Hydraulic/Fork Group



FP0243.iii

55F

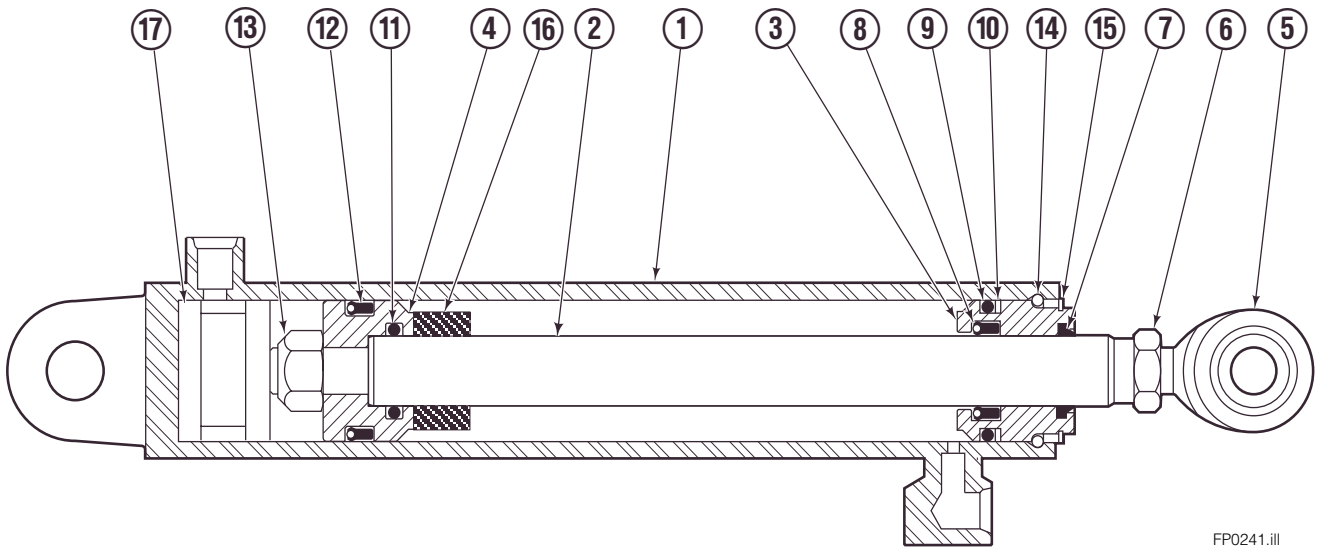
| REF | QTY | PART NO. | DESCRIPTION | REF | QTY | PART NO. | DESCRIPTION |
|-----|-----|----------|--------------------------|-----|-----|----------|-------------------|
| | | 3001298 | ● Hydraulic Group | 14 | 2 | 209737 | Lockwasher, M6 |
| | | 206912 | □ Fork Group | 15 | 8 | 767961 | Capscrew, M8 x 16 |
| 1 | 1 | 3001443 | ◆ Cylinder Assembly – LH | 16 | 2 | 206925 | Pin |
| 2 | 1 | 3001442 | ▼ Cylinder Assembly – RH | 17 | 4 | 207552 | Block |
| 3 | 1 | 398280 | Hose – 12.5 in. | 18 | 2 | 206916 | Grommet |
| 4 | 1 | 207292 | Hose – 28.2 in. | 19 | 2 | 206926 | Clevis Pin |
| 5 | 1 | 207287 | Hose – 13.7 in. | 20 | 2 | 207210 | Hairpin Cotter |
| 6 | 1 | 207288 | Hose – 24.6 in. | 21 | 2 | 768551 | Capscrew |
| 7 | 2 | 207208 | Fork Carrier | 22 | 2 | 7403 | Grease Fitting |
| 8 | 2 | 206914 | Lug | 23 | 1 | 768753 | Setscrew |
| 9 | 4 | 206915 | Bearing | 24 | 1 | 207211 | Jam Nut |
| 10 | 4 | 206922 | Capscrew, M12 x 16 | 25 | 1 | 200008 | Cable Tie |
| 11 | 4 | 678991 | Lockwasher, M12 | 26 | 8 | 209738 | Lockwasher, M8 |
| 12 | 2 | 206923 | Eyebolt | 27 | 6 | 617915 | Fitting, 4-4 |
| 13 | 2 | 763169 | Capscrew, M6 x 20 | | | | |

◆ See LH Cylinder page for parts breakdown.
▼ See RH Cylinder page for parts breakdown.

● Includes items 1 through 6.
□ Includes items 7 through 26.

Reference: BC-101, S-5981, S-3990

Left Hand Cylinder



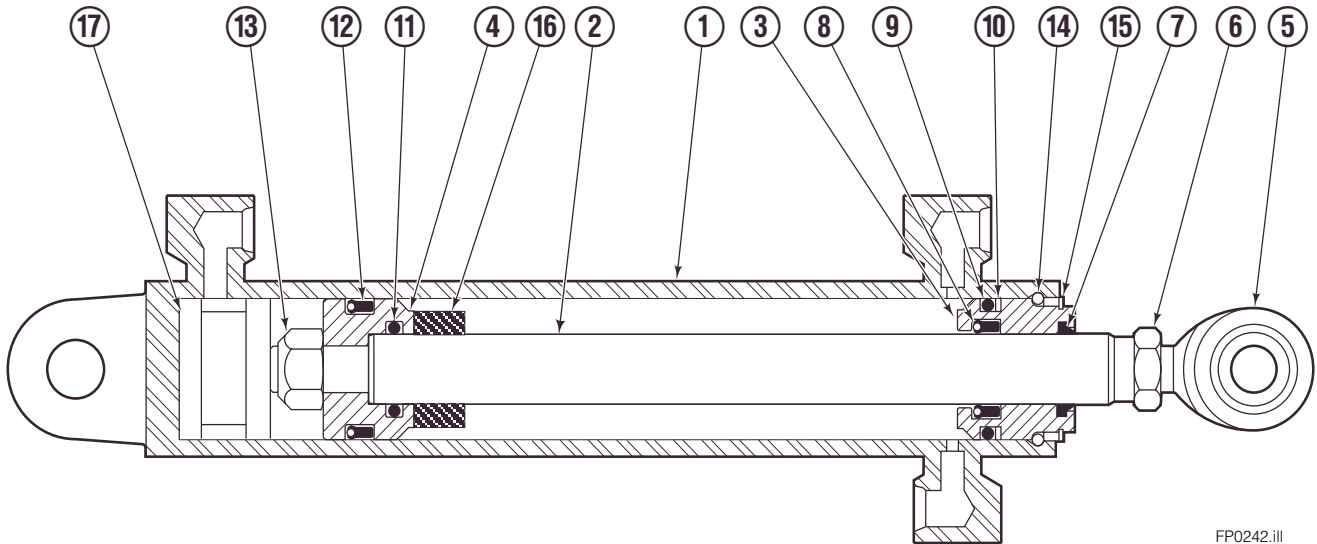
FP0241.ill

| 55F | | | |
|-----|-----|----------|-------------------|
| REF | QTY | PART NO. | DESCRIPTION |
| | | 3001443 | Cylinder Assembly |
| 1 | 1 | 3001446 | Shell |
| 2 | 1 | 3001445 | Rod |
| 3 | 1 | 685664 | Retainer |
| 4 | 1 | 685665 | Piston |
| 5 | 1 | 564193 | Rod End |
| 6 | 1 | 5718 | Nut |
| 7 | 1 | 636850 | ● Rod Wiper |
| 8 | 1 | 646540 | ● Rod Seal |
| 9 | 1 | 2718 | ● O-Ring |
| 10 | 1 | 615122 | ● Back-up Ring |
| 11 | 1 | 2710 | ● O-Ring |
| 12 | 1 | 663728 | ● Piston Seal |
| 13 | 1 | 563462 | Piston Nut |
| 14 | 1 | 563916 | Retaining Ring |
| 15 | 1 | 3137 | Snap Ring |
| 16 | 1 | — | Spacer |
| 17 | 1 | — | Spacer |
| | | 684827 | Service Kit |

● Included in Service Kit 684827.

Ref: S-6140, S-6141

Right Hand Cylinder



FP0242.ill

| 55F | | | |
|-----|-----|----------|-------------------|
| REF | QTY | PART NO. | DESCRIPTION |
| | | 3001442 | Cylinder Assembly |
| 1 | 1 | 3001444 | Shell |
| 2 | 1 | 3001445 | Rod |
| 3 | 1 | 685664 | Retainer |
| 4 | 1 | 685665 | Piston |
| 5 | 1 | 564193 | Rod End |
| 6 | 1 | 5718 | Nut |
| 7 | 1 | 636850 | ● Rod Wiper |
| 8 | 1 | 646540 | ● Rod Seal |
| 9 | 1 | 2718 | ● O-Ring |
| 10 | 1 | 615122 | ● Back-up Ring |
| 11 | 1 | 2710 | ● O-Ring |
| 12 | 1 | 663728 | ● Piston Seal |
| 13 | 1 | 563462 | Piston Nut |
| 14 | 1 | 563916 | Retaining Ring |
| 15 | 1 | 3137 | Snap Ring |
| 16 | 1 | — | Spacer |
| 17 | 1 | — | Spacer |
| | | 684827 | Service Kit |

● Included in Service Kit 684827.

Ref: S-6138, S-6139

Flow Divider Group

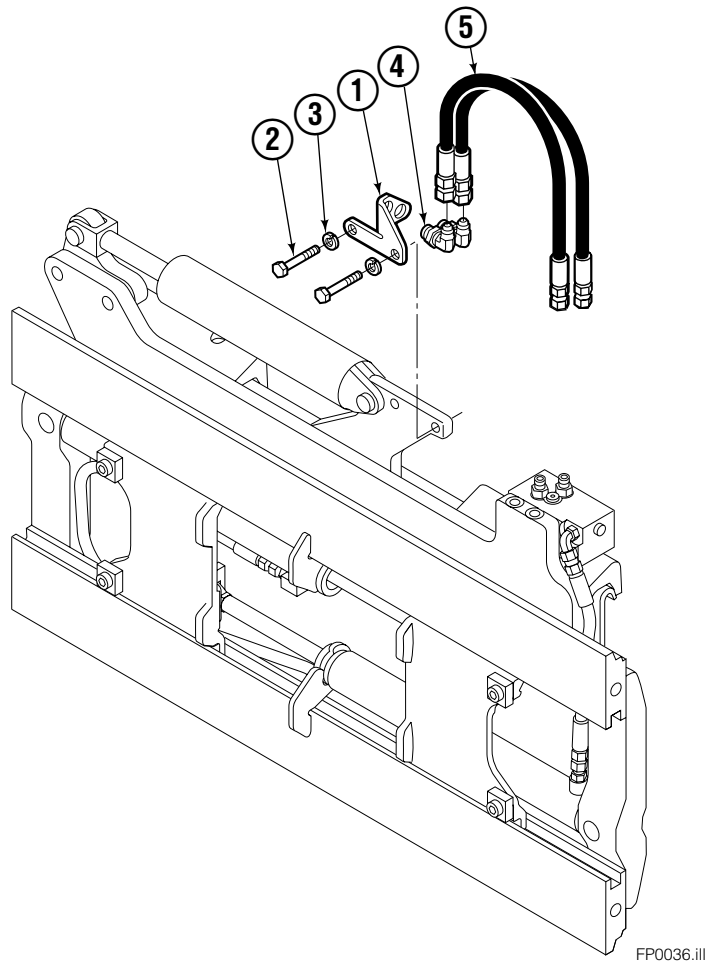


FP0035.iii

| 55F | | | |
|------------|-----|----------|--------------------|
| REF | QTY | PART NO. | DESCRIPTION |
| | | 206921 | Flow Divider Group |
| 1 | 1 | 206919 | Valve ■ |
| 2 | 1 | 206918 | Valve Body |
| 3 | 1 | 207301 | Cartridge-Combiner |
| 4 | 2 | 663694 | Fitting, 3 |
| 5 | 2 | 617915 | Fitting, 4-4 |
| 6 | 1 | 617917 | Fitting, 4-4 |
| 7 | 1 | 679992 | Service Kit |
| 8 | 3 | 685105 | Capscrew |
| 9 | 3 | 678993 | Lockwasher |
| 10 | 2 | 207300 | O-Ring |
| 11 | 6 | 617915 | Fitting, 4-4 |
| 12 | 2 | 617641 | Fitting, 4-4 |
| 13 | 2 | 609234 | Fitting, 4-4 |
| 14 | 1 | 617916 | Fitting, 4-4 |

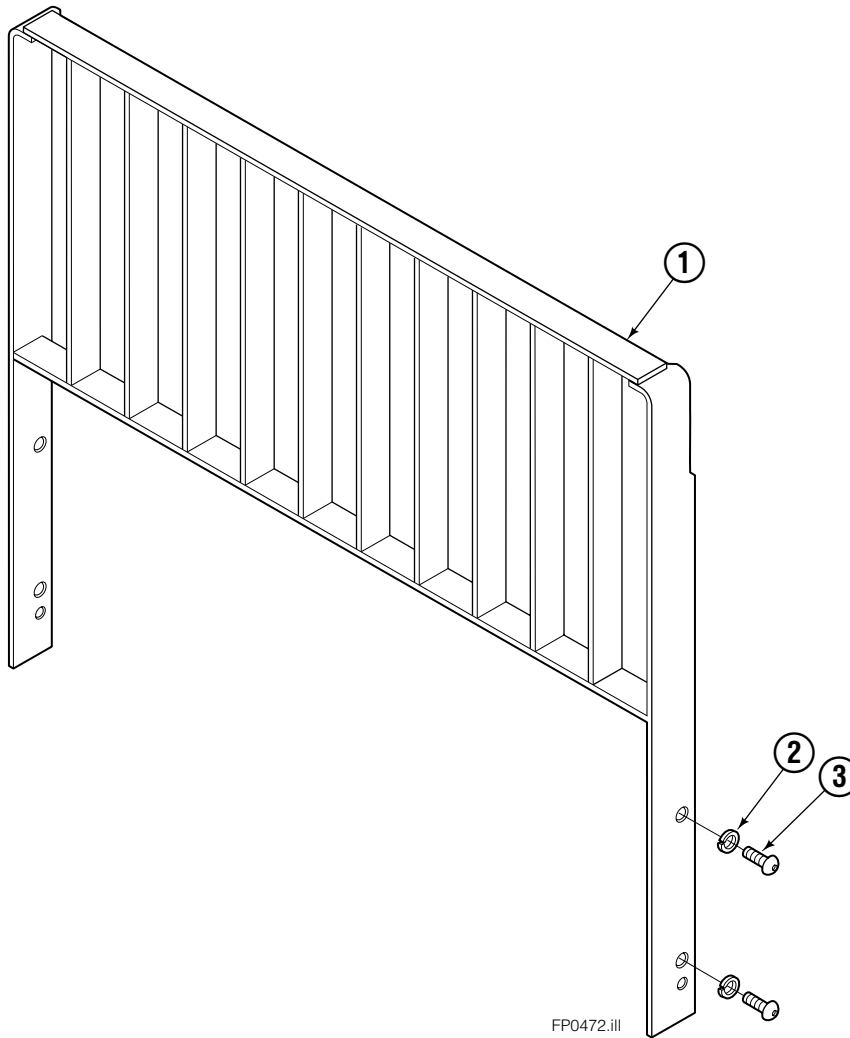
■ Includes items 1 through 7.

Standard Installation Group



| REF | QTY | PART NO. | DESCRIPTION |
|-----|-----|----------|----------------------|
| | | 207342 | Installation Group |
| 1 | 1 | 207314 | Bracket |
| 2 | 2 | 762899 | Capscrew, M10X20-8.8 |
| 3 | 2 | 681238 | Lockwasher |
| 4 | 2 | 2453 | Fitting, 8-8 |
| 5 | 2 | 207578 | Hose |

Backrest



| 55F | | | |
|-----|-----|----------|--------------------------|
| REF | QTY | PART NO. | DESCRIPTION |
| 1 | 1 | 6100910 | Backrest – 32 x 48 in. ◆ |
| 2 | 4 | 684586 | Lockwasher, M16 |
| 3 | 4 | 200173 | Capscrew, M16 x 35 |

◆ Width x Height.

Reference: S-3979, Common Parts 684740.

Do you have questions you need answered right now? Call your nearest Cascade Parts Department.

Cascade Corporation

2501 Sheridan Avenue
Springfield, OH 45505
Tel: 888-CASCADE (227-2233)
FAX: 888-329-0234
www.cascorp.com

Cascade Canada Inc.

5570 Timberlea Blvd.
Mississauga, Ontario
Canada L4W-4M6
Tel: 905-629-7777
FAX: 905-629-7785

Cascade GmbH

D-41199 Monchengladbach
Klosterhofweg 52
Germany
Tel: 49-216-668230
FAX: 49-216-6682323

Cascade Finland

Albert Petreliuksenkatu 3
01370 Vantaa
Finland
Tel: 358-9-836-1925
FAX: 358-9-836-1935

**Cascade N.V.
European Headquarters**

P.O. Box 3009
1300 El Almere
Damsluisweg 56
1332 ED Almere
The Netherlands
Tel: 31-36-5492911
FAX: 31-36-5492964

**Cascade N.V.
Benelux Sales and Service**

P.O. Box 3009
1300 El Almere
Damsluisweg 56
1332 ED Almere
The Netherlands
Tel: 31-36-5492950
FAX: 31-36-5492974

Cascade (UK) Ltd.

15, Orgreave Crescent
Dore House Industrial Estate
Handsworth
Sheffield S13 9NQ
England
Tel: 742-697524
FAX: 742-695121

Cascade Scandinavia AB

Box 124
Hammarvägen 10
567 23 Vaggeryd
Sweden
Tel: 42-0-393-36950
FAX: 46-0-393-36959

Cascade Norway

Østerliveien 37A
1153 Oslo
Norway
Tel: 47-22-743160
FAX: 47-22-743157

Cascade France S.A.R.L.

1D Rue De Charaintru
BP 18, 91360 Epinay-Sur-Orge
Morangis Cedex, France
Tel: 33-1- 64547500
FAX: 33-1-64547501

Cascade Hispania S.A.

Carrer 5 Sector C
Zona Franca Duanera
Poligono de la Zon Franca
08040 Barcelona, Spain
Office No. 256
Tel: 93-264-07-30
FAX: 93-264-07-31

Cascade Japan Ltd.

5-5-41,
Torikai Kami
Settsu, Osaka
Japan, 566
Tel: 81-726-53-3490
FAX: 81-726-53-3497

Cascade Korea

108B, Namdong Ind Complex
658-3 Gojan-Dong
Namdong-Gu
Inchon, 405-310 Korea
Tel: 82-32-821-2051
FAX: 82-32-821-2055

Cascade Australia

1445 Ipswich Road
Rocklea, QLD 4106
Australia
Tel: 1-800227-223
FAX: (07) 3373-7333

Cascade New Zealand

15 Ra Ora Drive
East Tamaki, Auckland
New Zealand
Tel: 9-273-9136
FAX: 9-273-9137

Cascade (Africa) Pty. Ltd.

P.O. Box 625, Isando 1600
60A Steel Road
Sparton, Kempton Park
South Africa
Tel: 27-11-975-9240
FAX: 27-11-394-1147

Cascade-Xiamen

No. 668 Yangguant Rd.
Xinyang Industry Zone
Haicant, Xiamen City
Fujian Province
P.R. China 361026
Tel: 86-592-651-2500
FAX: 86-592-651-2571

**Cascade (Singapore)
Trading Co.**

Four Seasons Park
Autumn Block - Apt. 1802
12 Cuscaden Walk
Singapore
Tel: 65-834-1935
FAX: 65-834-1936

