



Parts Manual

Model Single-Double Pallet Handlers

Catalog Number 25G-FDS-A221 R7

cascade®
corporation

For Technical Assistance call: 800-227-2233, Fax: 888-329-8207

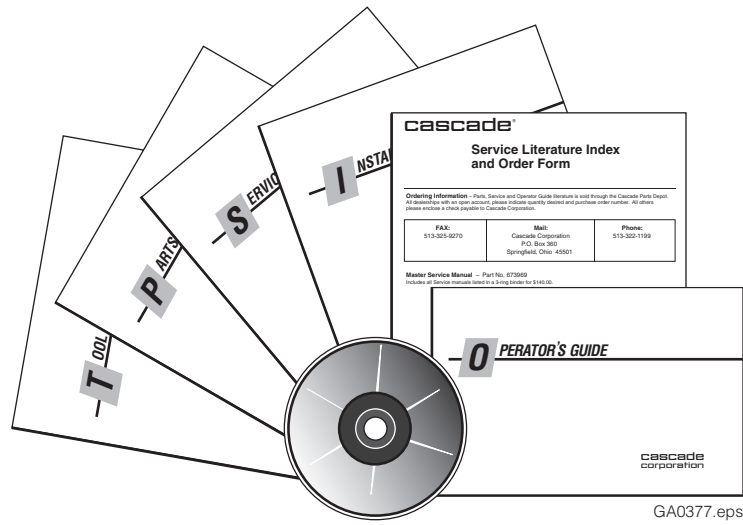
To Order Parts call: 888-227-2233, Fax: 888-329-0234

OR

Write: Cascade Corporation, P.O. Box 20187, Portland, OR 97220

Internet: www.cascorp.com

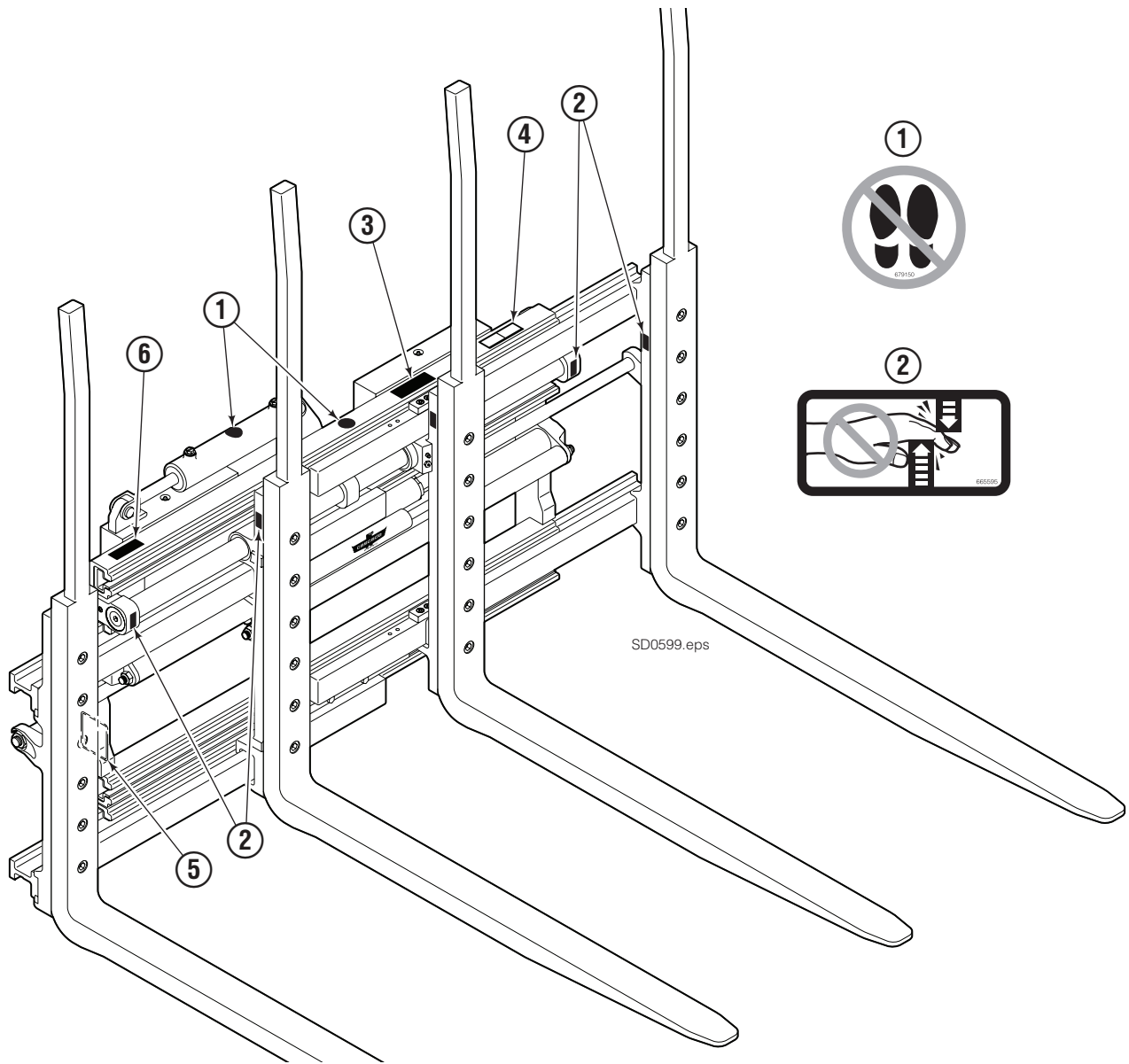
Publications



GA0377.eps

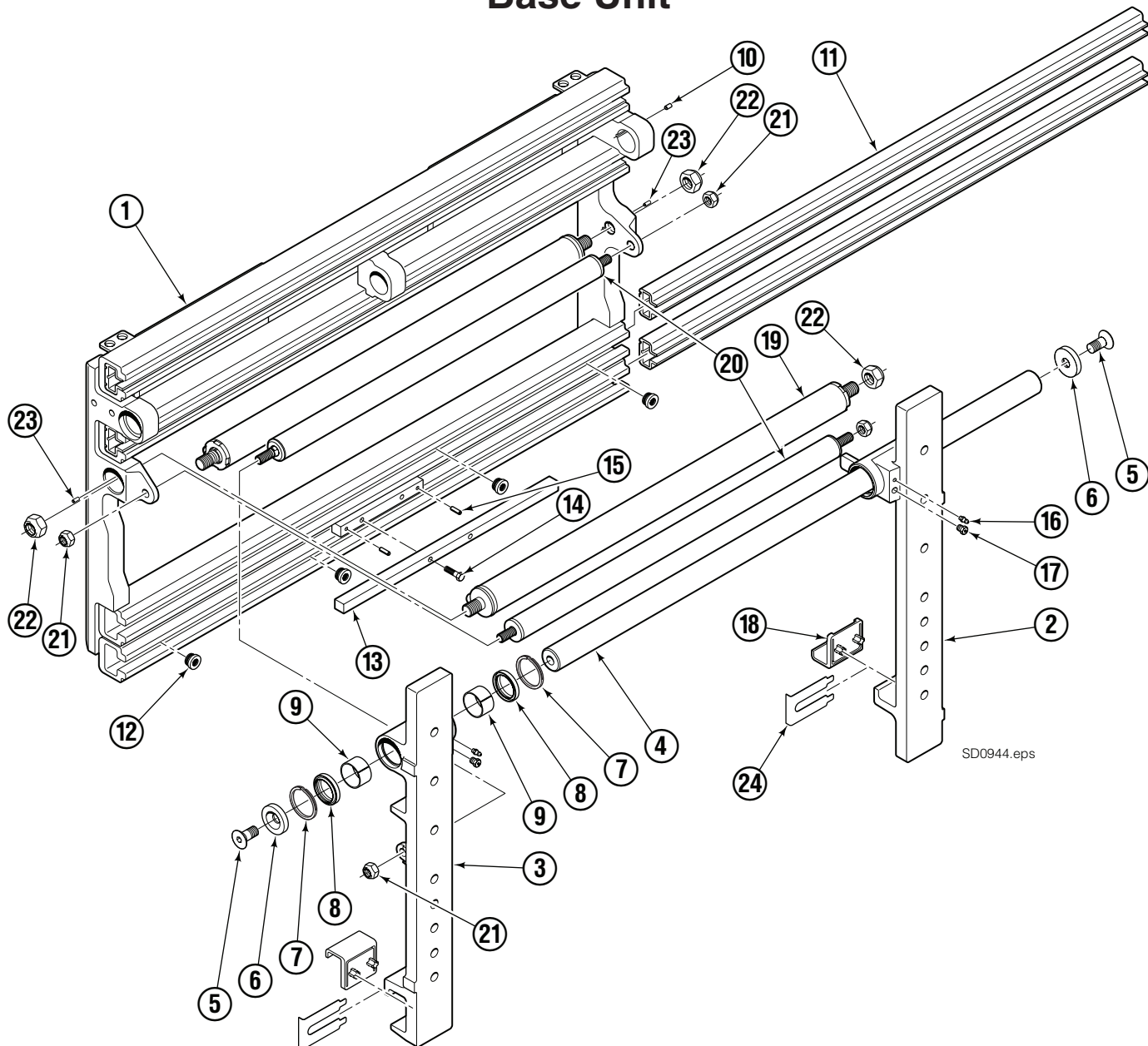
G Single-Double	
6070971	Installation Instructions
6130934	Operator Guide
6072517	Service Manual
6043535	Driver Training Video – CD
679929	Tool Catalog
673964	Literature Index Order Form

Safety Decals



G Single-Double			
REF	QTY	PART NO.	DESCRIPTION
1	2	679150	No Step Decal
2	8	665595	No Hand Hold Decal
3	1	6229149	Nameplate
4	1	6229145	Nameplate – Single Capacity
5	1	655268	Patent Plate
6	1	6071983	Close Forks Decal

Base Unit



32G

REF	QTY	PART NO.	DESCRIPTION	REF	QTY	PART NO.	DESCRIPTION
		6151182	Base Unit (R1)	12	8	6028433	Bearing Retainer Plug
		6151181	Frame Assembly ♦ (R2)	13	1	6066883	Fork Stop
1	1	6076057	Frame	14	2	765352	Capscrew, M8 x 30
2	1	6149372	Inner Fork Carrier – LH	15	2	767811	Roll Pin
3	1	6149371	Inner Fork Carrier – RH	16	2	424115	Lube Fitting
4	1	6138136	Bar	17	2	6069835	Relief Fitting
5	2	388348	Capscrew, M16 x 35	18	2	6149000	Bearing
6	2	6069483	Upper Pin Retainer	19	2	6138137	Cylinder ●
7	4	6070661	Retaining Ring	20	2	6138142	Spring Cylinder
8	4	6066832	Seal	21	4	6066555	Nut, M14
9	4	6066556	Bushing	22	4	783800	Nut, M20
10	2	209776	Dowel Pin	23	2	768992	Roll Pin
11	4	6138135	Arm Bearing	24	1	6088014	Shim Kit ■

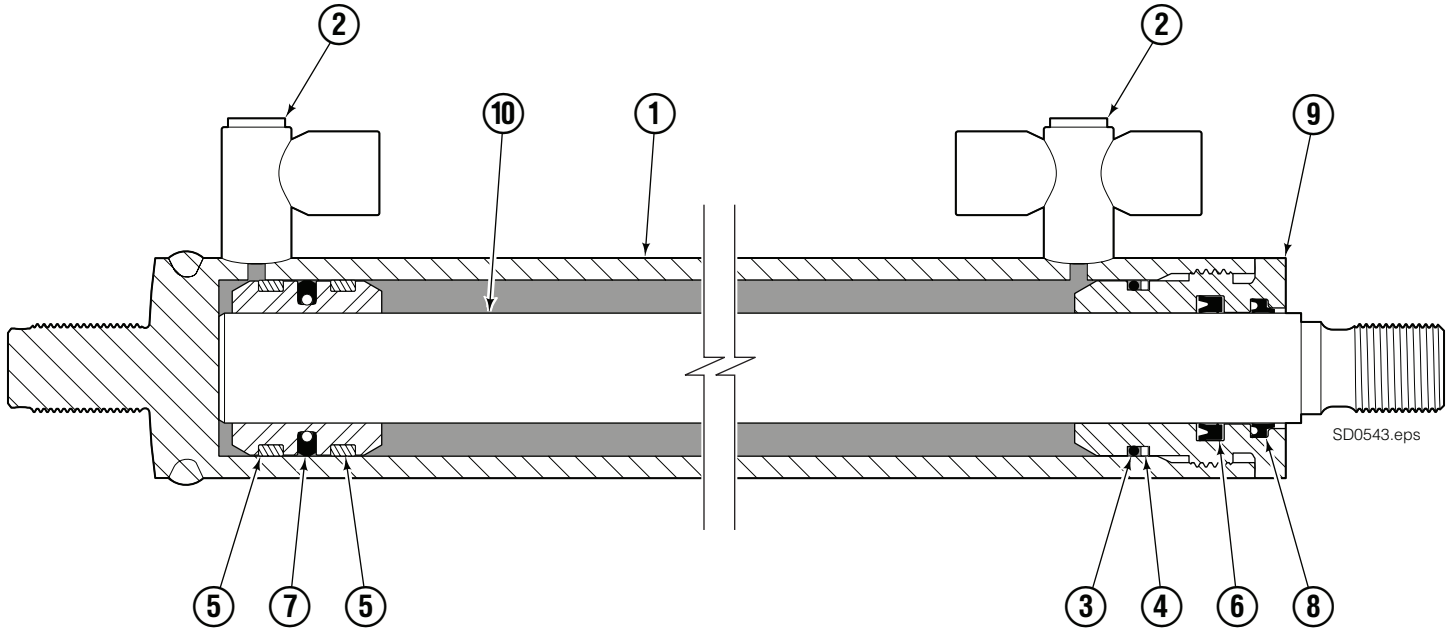
♦ Includes items 1–17.

● See Cylinder page for parts breakdown.

■ If required for Fork tip alignment. Not included in Base Unit.

Reference: Fastener Kit 6067507, SK-12757, SK-12756, S-23042.

Cylinder

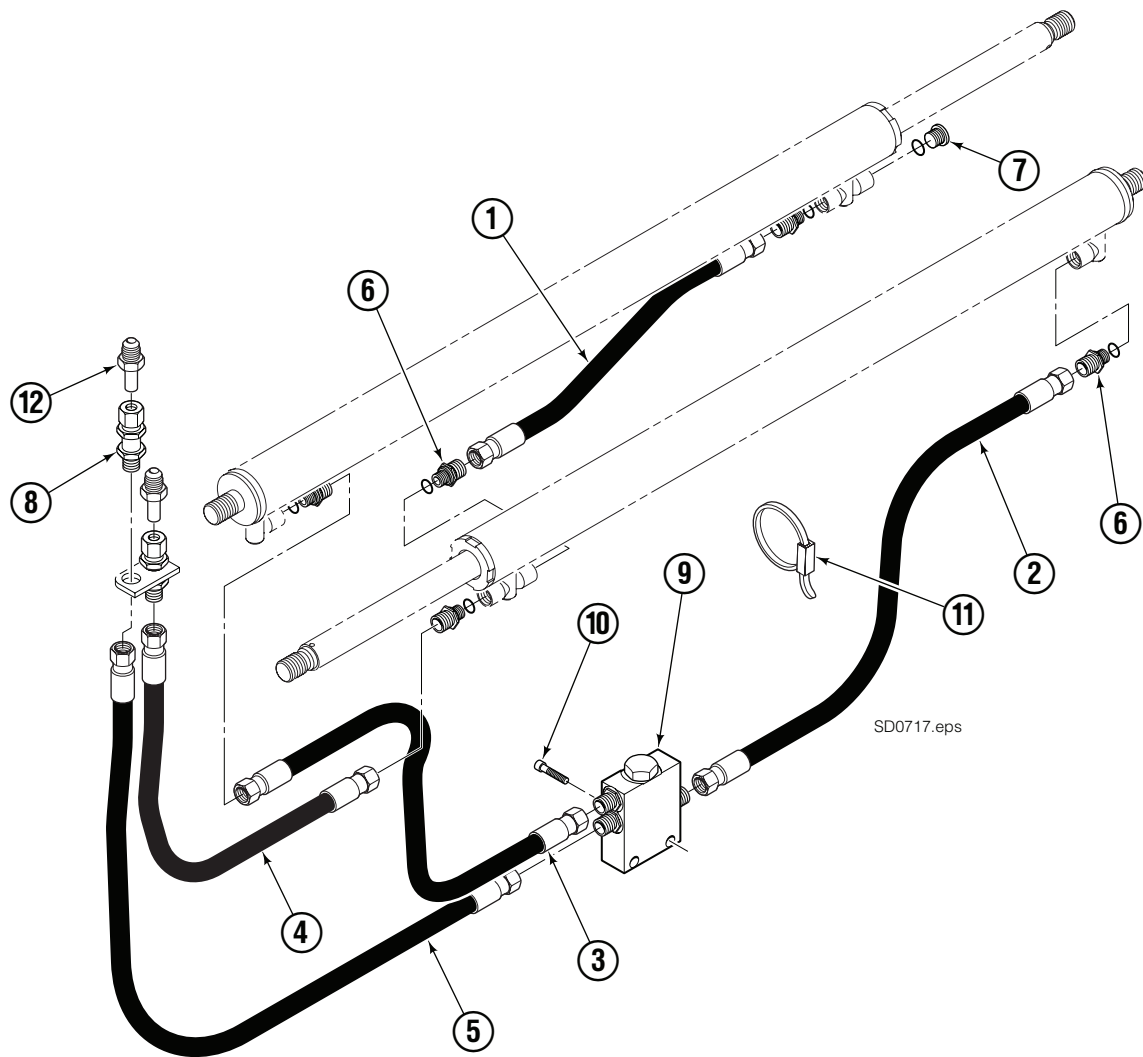


25G			
REF	QTY	PART NO.	DESCRIPTION
		6138137	Cylinder
1	1	6138140	Shell
2	2	663694	Plug, 3
3	1	6066334	O-Ring ◆
4	1	6066370	Backup Ring ◆
5	2	6066318	Piston Ring ◆
6	1	6066303	Rod Seal ◆
7	1	6066320	Piston Seal ◆
8	1	6066280	Rod Wiper ◆
9	1	6065874	Retainer
10	1	6138138	Piston/Rod Assembly
		6068008	Service Kit

◆ Included in Service Kit 6068008.

Reference: S-22885.

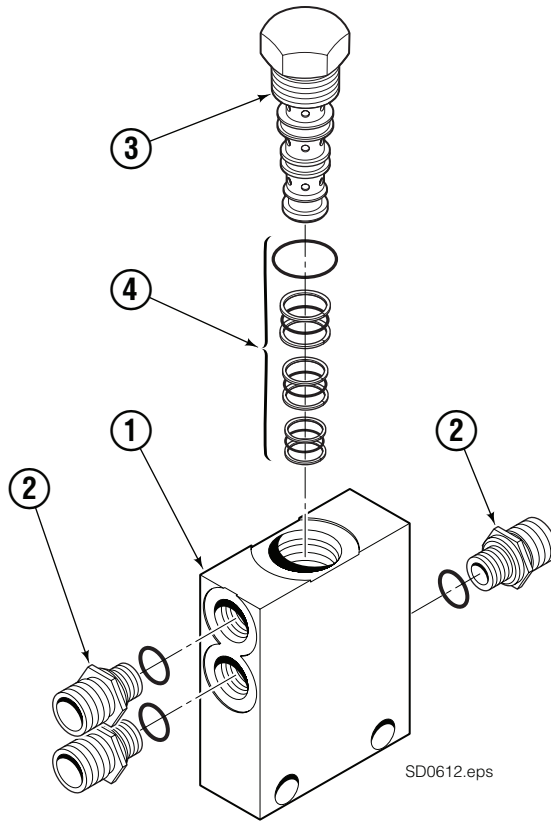
Hydraulic Group



REF	QTY	PART NO.	DESCRIPTION
		6138149	Hydraulic Group (R4)
1	1	6076995	Hose, 455 mm
2	1	6138170	Hose, 575 mm
3	1	6137924	Hose, 610 mm
4	1	6076995	Hose, 455 mm
5	1	6076989	Hose, 890 mm
6	5	778100	Fitting, 6 SAE – M10 L Series
7	1	604510	Plug, 6
8	2	6072245	Fitting
9	1	6072308	Valve Assembly ♦
10	2	768787	Capscrew, M6 x 30
11	4	200008	Cable Tie
12	2	6076514	Adapter Fitting

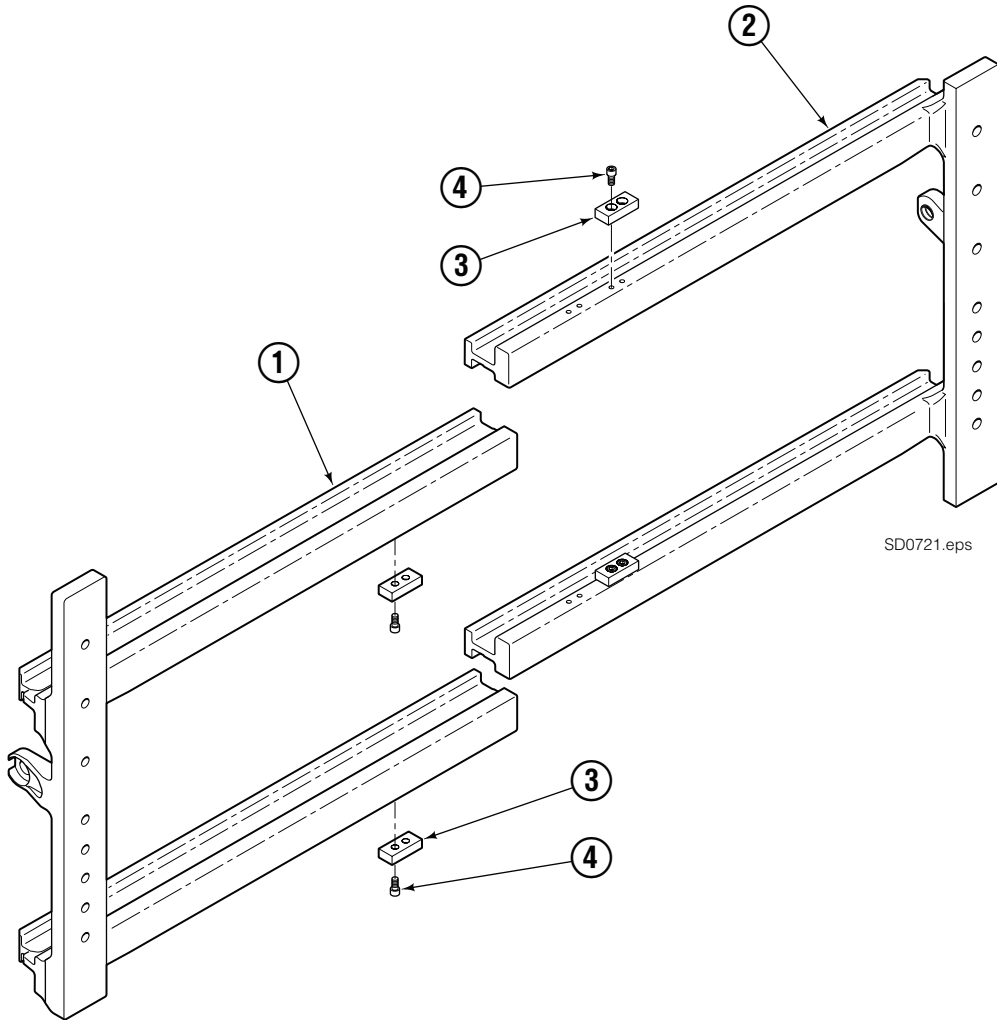
♦ See Valve page for parts breakdown.
Reference: S-23086, Fitting Group 6076518.

Valve Assembly



25G			
REF	QTY	PART NO.	DESCRIPTION
		6072308	Valve Assembly
1	1	6072310	Valve Body
2	3	752555	Fitting, 6 SAE – M10 L-Series
3	1	210266	Flow Divider/Combiner
4	1	6071170	Seal Kit

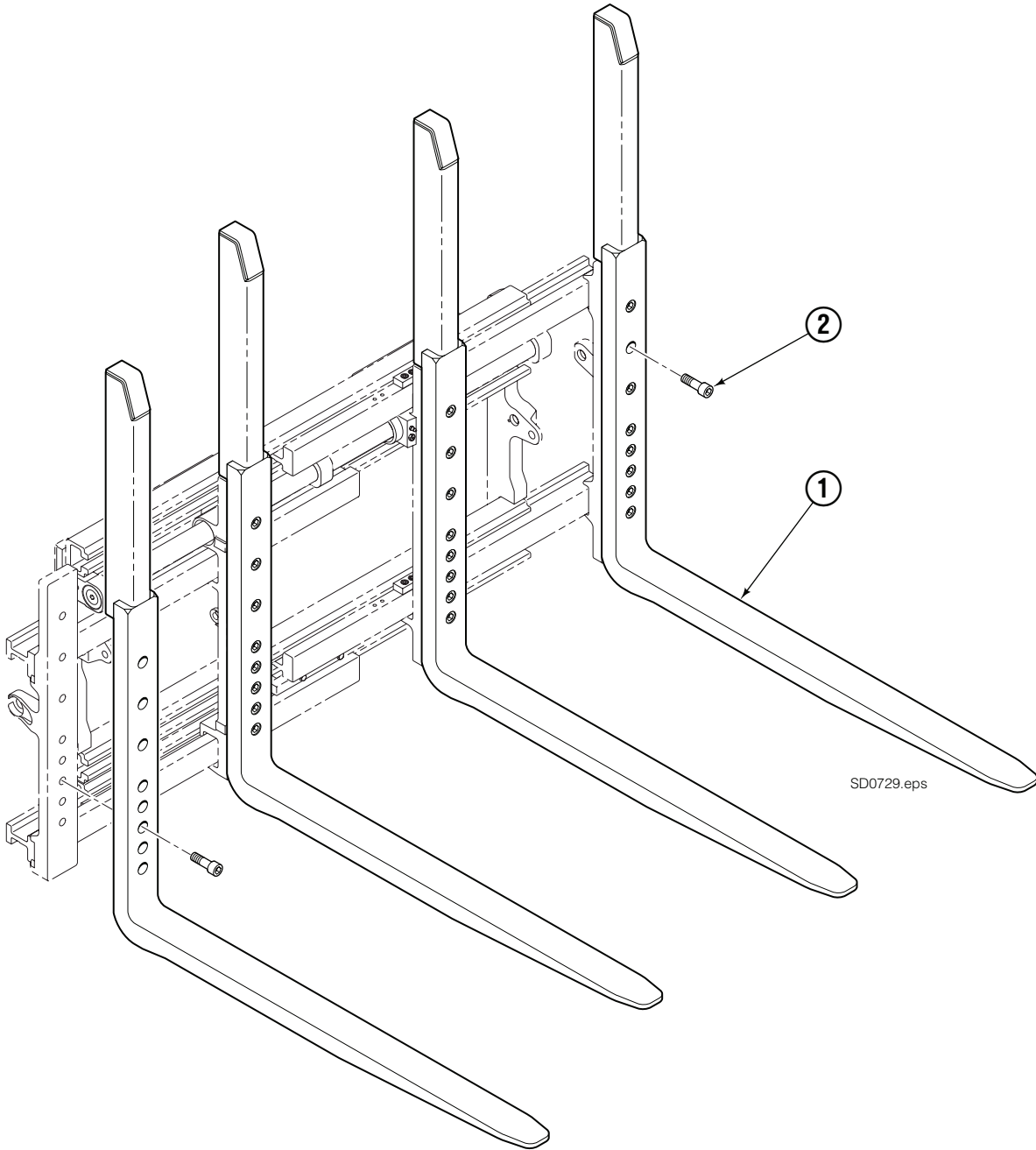
Fork Carrier Group



25G			
REF	QTY	PART NO.	DESCRIPTION
		6138145	Fork Carrier Group
1	1	6082005	Fork Carrier, RH
2	1	6082095	Fork Carrier, LH
3	4	6066470	Fork Stop
4	8	219596	Capscrew, M8 x 16

Reference: Fastener Kit 6067507, SK-9720, S-23332, S-23334.

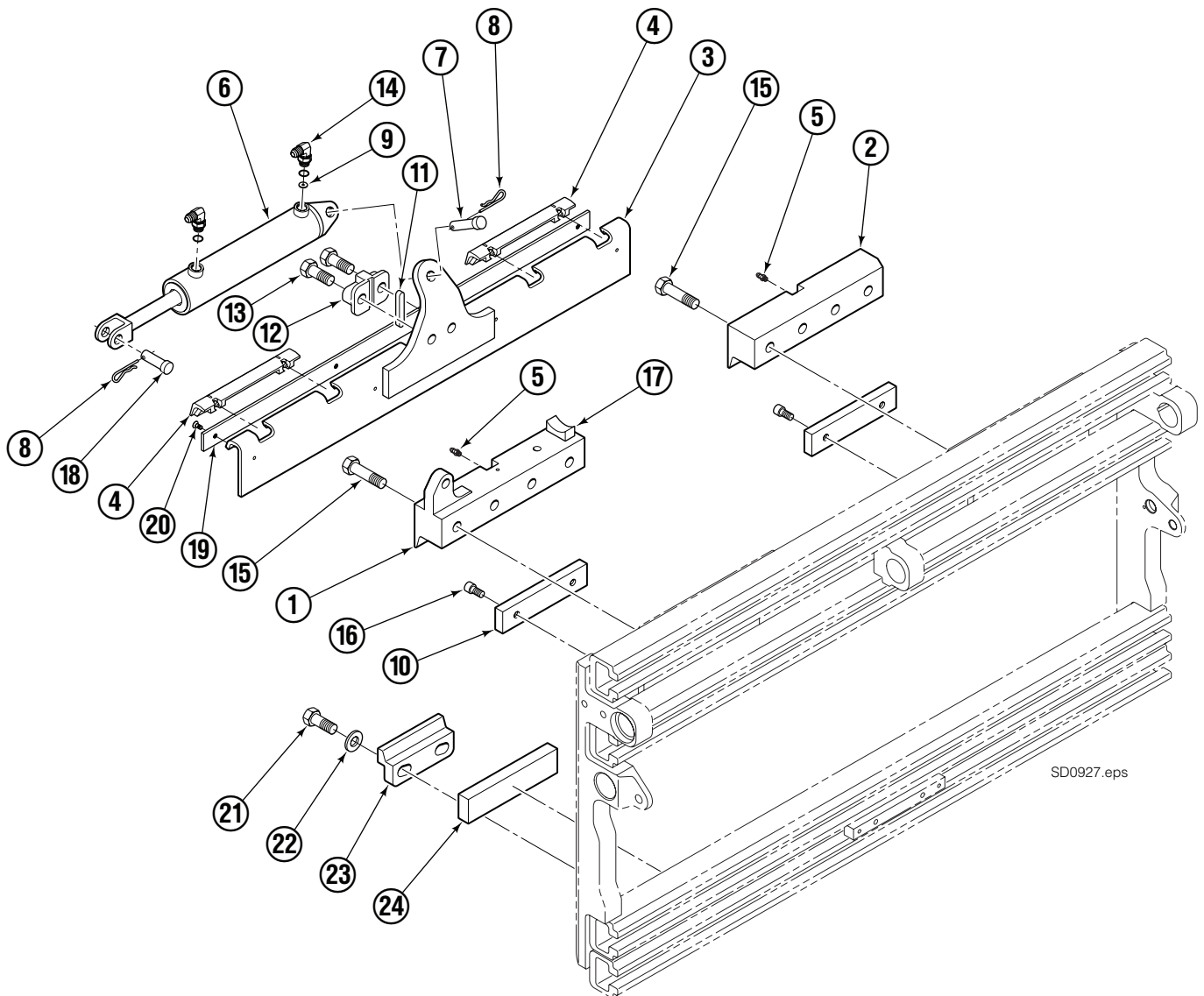
Forks



25G			
REF	QTY	PART NO.	DESCRIPTION
1	4	6076039	Fork
2	32	769577	Capscrew, M16 x 50

Reference: Fastener Kit 6072117, SK-9261, S-23198.

Sideshift Mounting Group



SD0927.eps

Class II

REF	QTY	PART NO.	DESCRIPTION	REF	QTY	PART NO.	DESCRIPTION
		6067466	Sideshift Group (R14) ▲	12	1	6131029	◆ Key
		6071856	Lower Hook Group (R4) ▼	13	2	219529	◆ Capscrew, M16 x 40
1	1	6081063	Upper Mounting Hook, RH	14	2	601676	Fitting, 6-6
2	1	6081143	Upper Mounting Hook, LH	15	8	6040801	Capscrew, M16 x 60
3	1	6081564	◆ Anchor Bracket	16	4	768809	Capscrew, M10 x 16
4	2	6127049	Upper Bearing	17	1	6085314	Cylinder Support Pad
5	2	7403	Grease Fitting	18	1	671176	Clevis Pin
6	1	675548	Sideshift Cylinder ●	19	1	6125861	Spacer Plate
7	1	678525	Clevis Pin	20	4	768684	Capscrew, M6 x 10
8	2	672726	Cotter Pin	21	4	214991	Capscrew, M16 x 45
9	1	675550	Restrictor Washer	22	4	667225	Washer
10	2	6066570	Spacer	23	2	6066574	Lower Hook
11	1	209542	◆ Key	24	2	6070838	Lower Bearing

▲ Includes items 1 - 13 & 15 - 20.

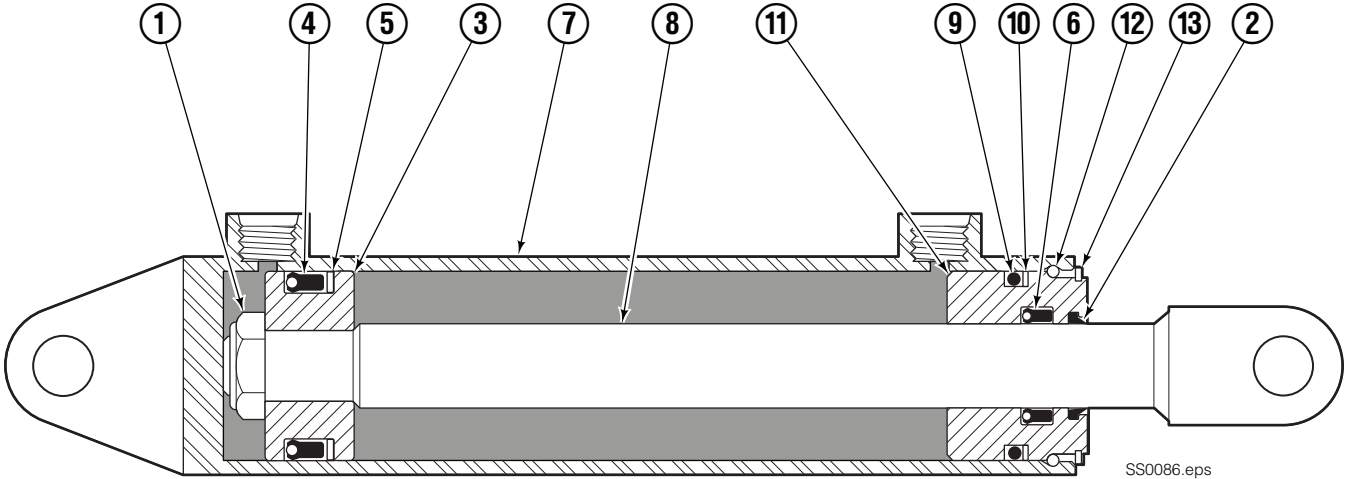
▼ Includes items 21 - 24.

● See Sideshift Cylinder page for parts breakdown.

◆ Included in Anchor Bracket Assembly 6081563.

Reference: Fitting Group 6076518, Fastener Kit 6067507.

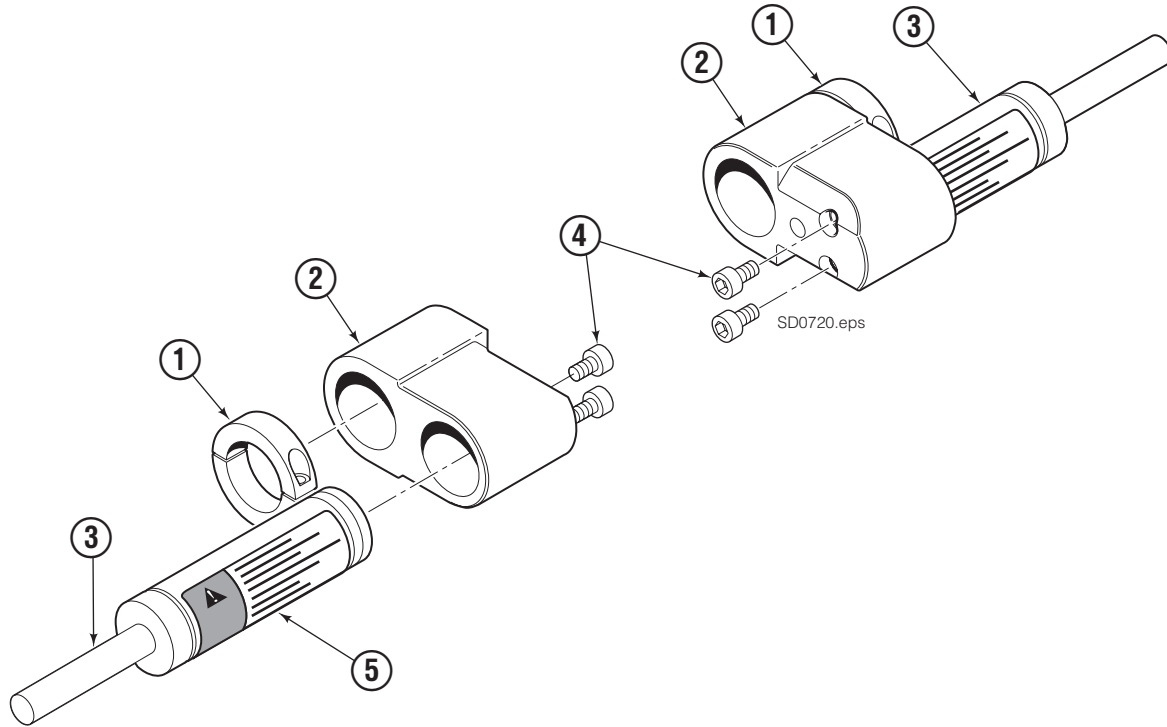
Sideshift Cylinder



REF	QTY	PART NO.	DESCRIPTION
		675548	Cylinder Assembly
1	1	553857	Nut
2	1	636851	■ Wiper
3	1	553501	Piston
4	1	662452	■ Seal
5	1	638247	■ Back-up Ring
6	1	641835	■ Seal
7	1	675549	Shell
8	1	553499	Rod
9	1	2785	■ O-Ring
10	1	615128	■ Back-up Ring
11	1	553500	Retainer
12	1	553856	Retaining Ring
13	1	7202	Retaining Ring
		553861	Service Kit

■ Included in Service Kit 553861.

Inner Fork Control Group



25G			
REF	QTY	PART NO.	DESCRIPTION
		6135608	Inner Fork Control Group
1	2	6066892	Collar - Split
2	2	6082541	Bracket
3	2	6146611	Gas Cylinder
4	4	6405504	Capscrew, M6 x 12
5	2	6074935	Safety Decal

Do you have questions you need answered right now?

Call your nearest Cascade Parts Department.

Visit us online at www.cascorp.com

AMERICAS

**Cascade Corporation
Parts Sales**

2501 Sheridan Ave.
Springfield, OH 45505
Tel: 888-CASCADE (227-2233)
Fax: 888-329-0234

Cascade Canada Inc.

5570 Timberlea Blvd.
Mississauga, Ontario
Canada L4W-4M6
Tel: 905-629-7777
Fax: 905-629-7785

Cascade do Brasil

Rua João Guerra, 134
Macuco, Santos - SP
Brasil 11015-130
Tel: 55-13-2105-8800
Fax: 55-13-2105-8899

EUROPE-AFRICA

**Cascade Italia S.R.L.
European Headquarters**

Via Dell'Artigianato 1
37030 Vago di Lavagno (VR)
Italy
Tel: 39-045-8989111
Fax: 39-045-8989160

Cascade (Africa) Pty. Ltd.

PO Box 625, Isando 1600
60A Steel Road
Sparton, Kempton Park
South Africa
Tel: 27-11-975-9240
Fax: 27-11-394-1147

ASIA-PACIFIC

Cascade Japan Ltd.

2-23, 2-Chome,
Kukuchi Nishimachi
Amagasaki, Hyogo
Japan, 661-0978
Tel: 81-6-6420-9771
Fax: 81-6-6420-9777

Cascade Korea

121B 9L Namdong Ind.
Complex, 691-8 Gojan-Dong
Namdong-Ku
Inchon, Korea
Tel: +82-32-821-2051
Fax: +82-32-821-2055

Cascade-Xiamen

No. 668 Yangguang Rd.
Xinyang Industrial Zone
Haicang, Xiamen City
Fujian Province
P.R. China 361026
Tel: 86-592-651-2500
Fax: 86-592-651-2571

**Cascade India Material
Handling Private Limited**

No 34, Global Trade Centre
1/1 Rambaugh Colony
Lal Bahadur Shastri Road,
Navi Peth, Pune 411 030
(Maharashtra) India
Phone: +91 020 2432 5490
Fax: +91 020 2433 0881

Cascade Australia Pty. Ltd.

1445 Ipswich Road
Rocklea, QLD 4107
Australia
Tel: 1-800-227-223
Fax: +61 7 3373-7333

Cascade New Zealand

15 Ra Ora Drive
East Tamaki, Auckland
New Zealand
Tel: +64-9-273-9136
Fax: +64-9-273-9137

**Sunstream Industries
Pte. Ltd.**

18 Tuas South Street 5
Singapore 637796
Tel: +65-6795-7555
Fax: +65-6863-1368

