



# Parts Manual

---

Model \_\_\_\_\_ **Load Stabilizer**

Serial Number \_\_\_\_\_ **35E-LSB-A001R8**

---

**cascade**<sup>®</sup>  
**corporation**

**For Technical Assistance call:** 800-227-2233, Fax: 888-329-8207

**To Order Parts call:** 888-227-2233, Fax: 888-329-0234

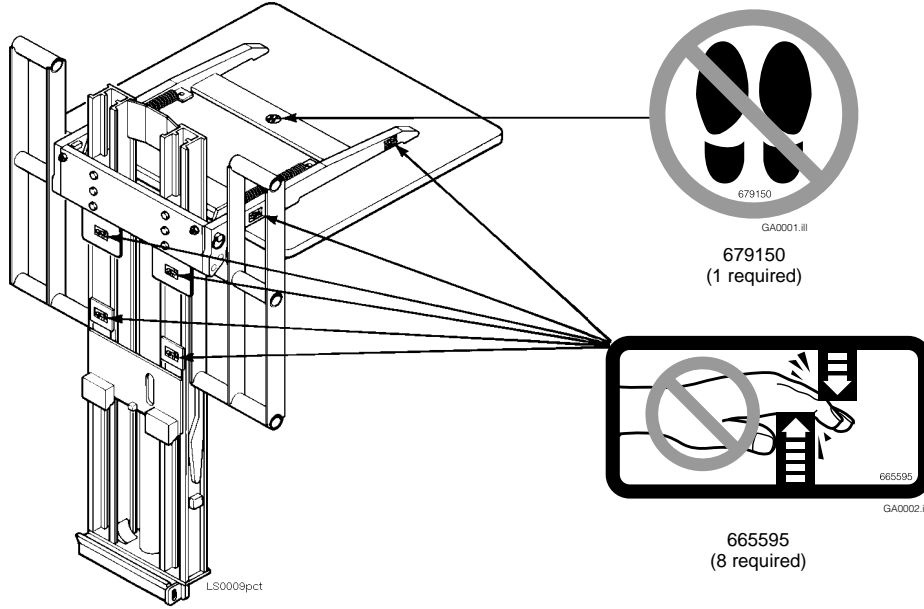
**OR**

**Write:** Cascade Corporation, P.O. Box 20187, Portland, OR 97220

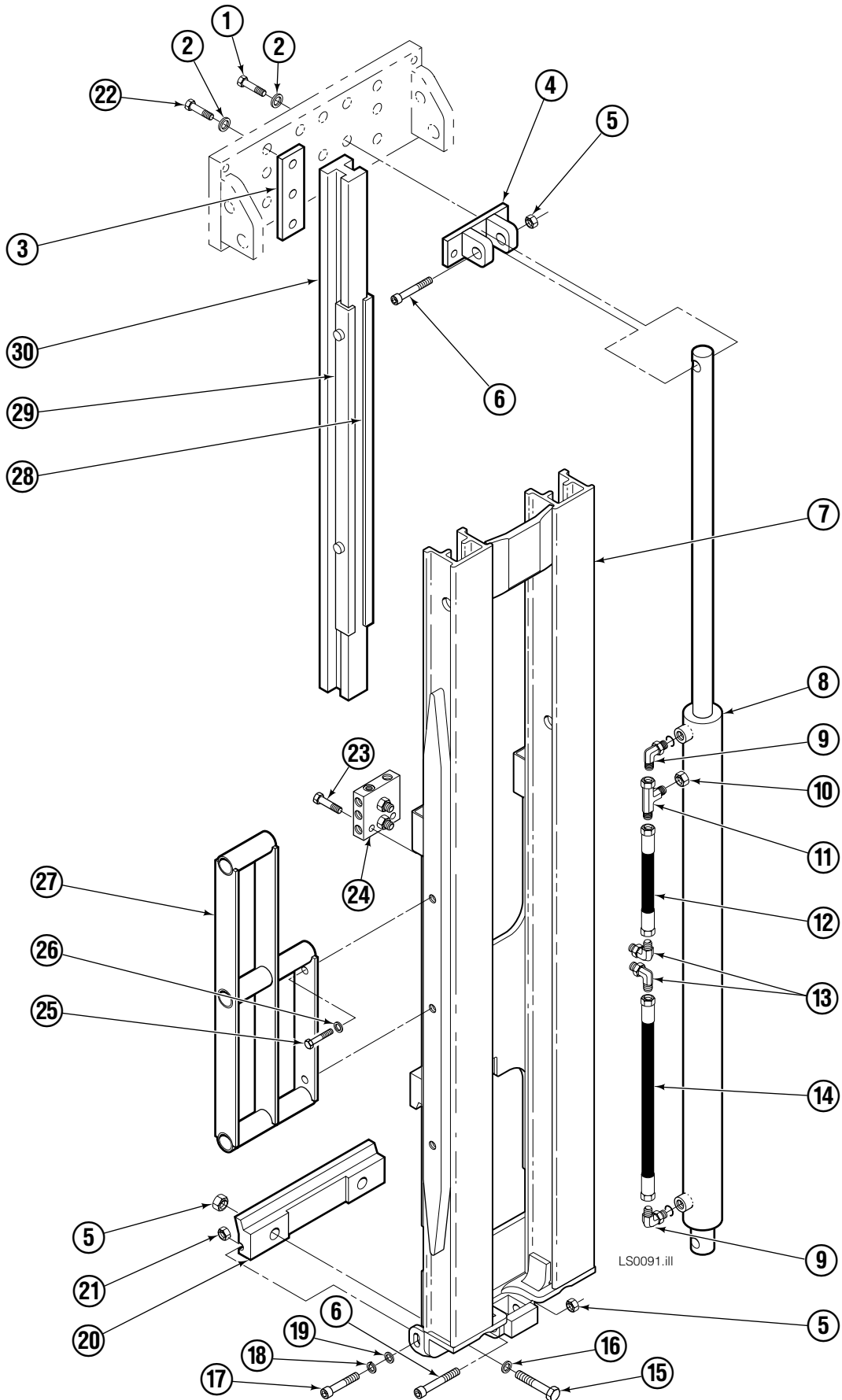
**Internet:** [www.cascorp.com](http://www.cascorp.com)

# Decals

## Load Stabilizer



# Frame Group



# Frame Group

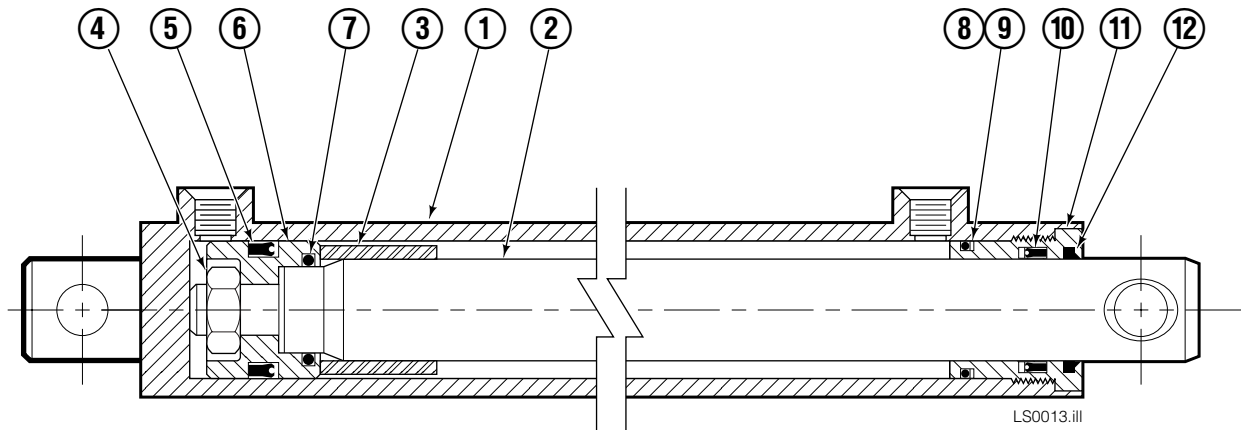
35E			
REF	QTY	PART NO.	DESCRIPTION
		206501	Frame Group
		202328	Backrest Group
		202324	Hydraulic Group
1	3	206478	Capscrew, M10 x 30
2	3	201570	Washer
3	2	201956	Shim
4	1	201976	Cylinder Clevis
5	4	678990	Nut
6	2	211250	Capscrew, M16 x 85
7	1	202129	Frame – 45"-84" Opening Range
8	1	582490	◆ Cylinder – 42"-84" Opening Range
9	2	601676	Fitting, 6-6
10	1	2645	Fitting, 6
11	1	611329	Fitting, 6-6
12	1	675058	Hose – 42"-84" Opening Range
13	2	2680	Fitting, 6-6
14	1	688694	Hose, 16.75"
15	2	689997	Capscrew, M16 x 45
16	2	667225	Washer
17	1	201568	Capscrew, M8 x 45
18	1	680253	Lockwasher, M8
19	1	205349	Washer
20	1	202049	Lower Hook
21	1	767414	Nut, M8
22	8	784139	Capscrew, M12 x 50
23	2	768795	Capscrew, M8 x 30
24	1	202047	■ Valve Assembly
25	4	766154	Capscrew, M16 x 40
26	4	211179	Washer
27	2	202327	Backrest – 45"-84" Opening Range
28	2	668910	Bearing
29	2	668911	Bearing
30	2	202055	Arm Bar – 42"-84" Opening Range
31	8	202263	Washer, M12

◆ See Cylinder page for parts breakdown.

■ See Valve page for parts breakdown.

Reference: Common Parts 201962R9, S-21051, S-3765.

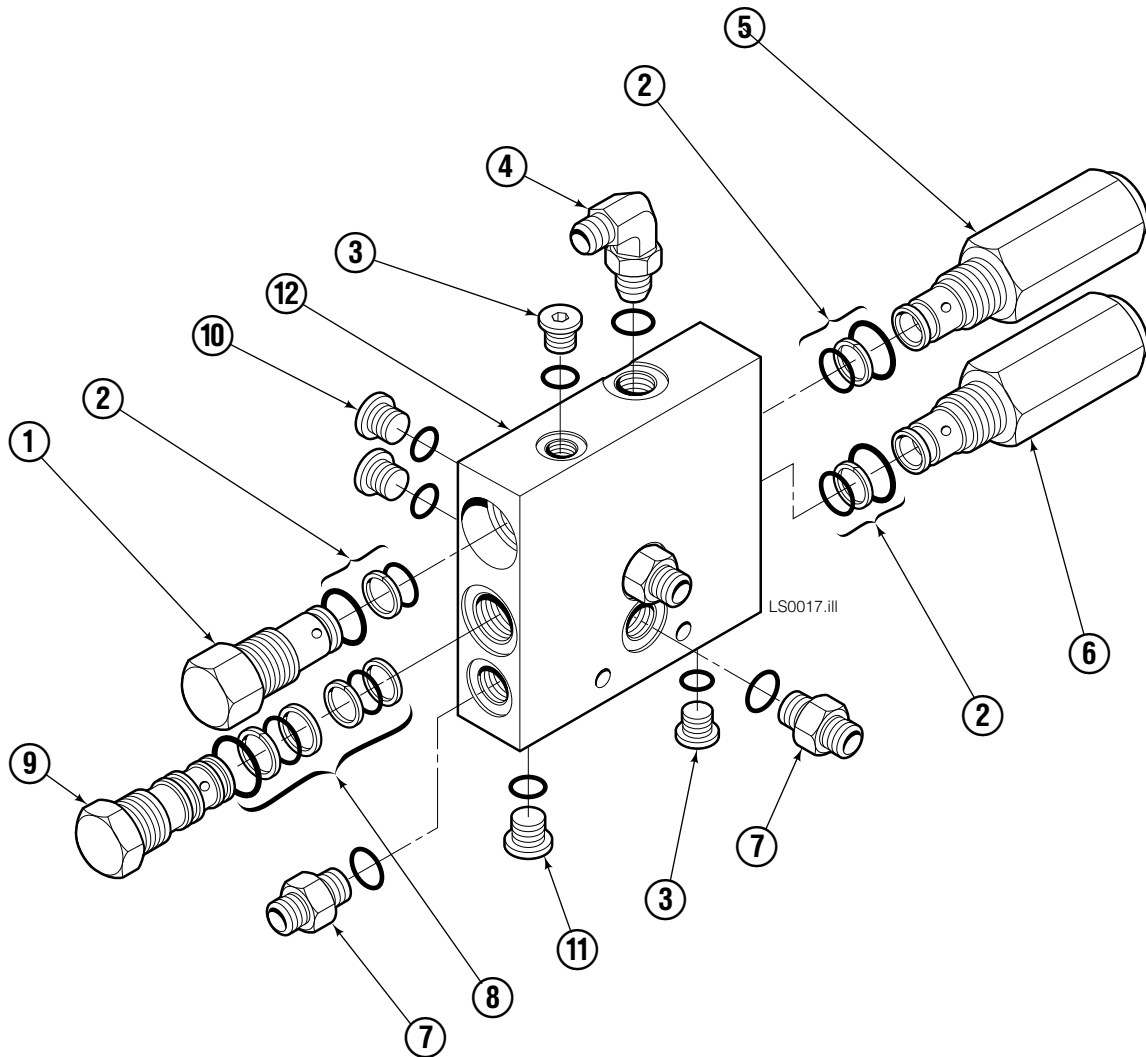
# Load Stabilizer Cylinder



35E			
REF	QTY	PART NO.	DESCRIPTION
		582490	Cylinder Assembly
1	1	562298	Shell
2	1	562299	Rod
3	1	-	Spacer
4	1	667623	Nut
5	1	557598	■ Piston Seal
6	1	559702	Piston
7	1	2716	■ O-Ring
8	1	2722	■ O-Ring
9	1	615126	■ Back-Up Ring
10	1	663728	■ Rod Seal
11	1	562300	Retainer
12	1	626468	■ Wiper
		562447	Service Kit

■ Included in Service Kit 562447.

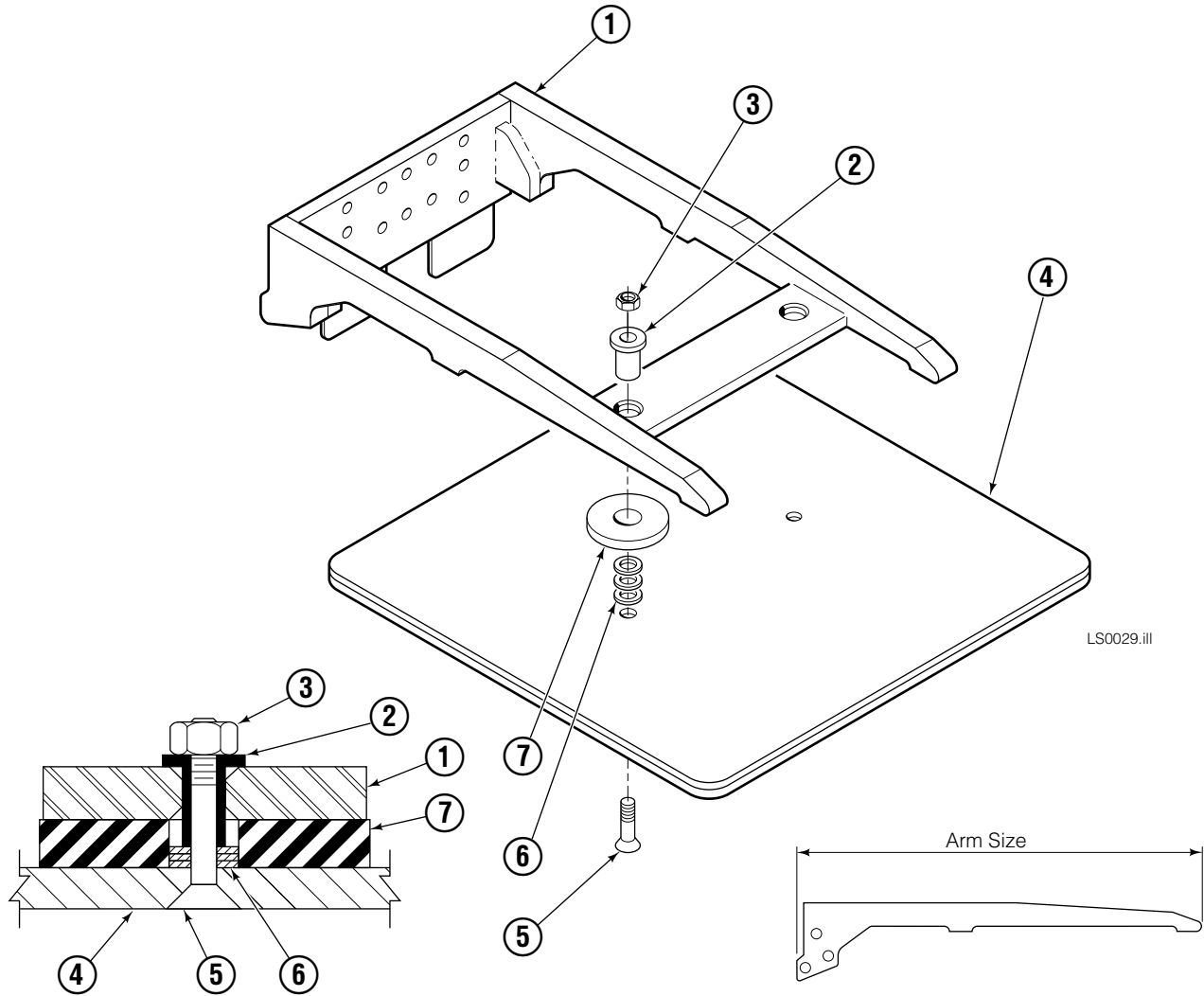
# Valve Assembly



## 35E

REF	QTY	PART NO.	DESCRIPTION
		202047	Valve Assembly
1	1	682168	Valve Cartridge
2	3	682170	Service Kit
3	2	663694	Plug, 3
4	1	601676	Fitting, 6-6
5	1	201566	Valve Cartridge - Adjustable Relief
6	1	201565	Valve Cartridge - Fixed Relief
7	3	604511	Fitting, 6-6
8	1	204424	Service Kit
9	1	201564	Valve Cartridge - P. O. Check
10	2	604510	Plug, 6
11	1	609234	Plug, 4
12	1	202125	Valve Body

# Standard Arm Group



REF	QTY	PART NO.	DESCRIPTION
1	1	202061	Arm
2	2	205976	▲ Sleeve
3	2	205979	▲ Nylon Nut, M12
4	1	202260	Contact Pad - 30 "x 30"
5	2	768709	▲ Capscrew
6	6	202251	▲ Washer, M12
7	2	202145	▲ Washer - Rubber
		205980	Service Kit

▲ Included in Service Kit 205980.

Reference: Common Parts 201962R9.

**Do you have questions you need answered right now?** Call your nearest Cascade Parts Department. Visit us online at [www.cascorp.com](http://www.cascorp.com)

**Cascade Corporation**  
2501 Sheridan Avenue  
Springfield, OH 45505  
Tel: 888-CASCADE (227-2233)  
FAX: 888-329-0234

**Cascade Canada Inc.**  
5570 Timberlea Blvd.  
Mississauga, Ontario  
Canada L4W-4M6  
Tel: 905-629-7777  
FAX: 905-629-7785

**Cascade GmbH**  
D-41199 Monchengladbach  
Klosterhofweg 52  
Germany  
Tel: 49-216-668230  
FAX: 49-216-6682323

**Cascade Finland**  
Albert Petreliuksenkatu 3  
01370 Vantaa  
Finland  
Tel: 358-9-836-1925  
FAX: 358-9-836-1935

**Cascade N.V.  
European Headquarters**  
P.O. Box 3009  
1300 El Almere  
Damsluisweg 56  
1332 ED Almere  
The Netherlands  
Tel: 31-36-5492911  
FAX: 31-36-5492964

**Cascade N.V.  
Benelux Sales and Service**  
P.O. Box 3009  
1300 El Almere  
Damsluisweg 56  
1332 ED Almere  
The Netherlands  
Tel: 31-36-5492950  
FAX: 31-36-5492974

**Cascade (UK) Ltd.**  
15, Orgreave Crescent  
Dore House Industrial Estate  
Handsworth  
Sheffield S13 9NQ  
England  
Tel: 742-697524  
FAX: 742-695121

**Cascade Scandinavia AB**  
Box 124  
Hammarvägen 10  
567 23 Vaggeryd  
Sweden  
Tel: 42-0-393-36950  
FAX: 46-0-393-36959

**Cascade Norway**  
Østerliveien 37A  
1153 Oslo  
Norway  
Tel: 47-22-743160  
FAX: 47-22-743157

**Cascade France S.A.R.L.**  
1D Rue De Charaintru  
BP 18, 91360 Epinay-Sur-Orge  
Morangis Cedex, France  
Tel: 33-1- 64547500  
FAX: 33-1-64547501

**Cascade Hispania S.A.**  
Carrer 5 Sector C  
Zona Franca Duanera  
Poligono de la Zon Franca  
08040 Barcelona, Spain  
Office No. 256  
Tel: 93-264-07-30  
FAX: 93-264-07-31

**Cascade Japan Ltd.**  
5-5-41,  
Torikai Kami  
Settsu, Osaka  
Japan, 566  
Tel: 81-726-53-3490  
FAX: 81-726-53-3497

**Cascade Korea**  
108B, Namdong Ind Complex  
658-3 Gojan-Dong  
Namdong-Gu  
Inchon, 405-310 Korea  
Tel: 82-32-821-2051  
FAX: 82-32-821-2055

**Cascade Australia**  
1445 Ipswich Road  
Rocklea, QLD 4106  
Australia  
Tel: 1-800227-223  
FAX: (07) 3373-7333

**Cascade New Zealand**  
15 Ra Ora Drive  
East Tamaki, Auckland  
New Zealand  
Tel: 9-273-9136  
FAX: 9-273-9137

**Cascade (Africa) Pty. Ltd.**  
P.O. Box 625, Isando 1600  
60A Steel Road  
Sparton, Kempton Park  
South Africa  
Tel: 27-11-975-9240  
FAX: 27-11-394-1147

**Cascade-Xiamen**  
No. 668 Yangguang Rd.  
Xinyang Industrial Zone  
Haicang, Xiamen City  
Fujian Province  
P.R. China 361026  
Tel: 86-592-651-2500  
FAX: 86-592-651-2571

**Cascade (Singapore)  
Trading Co.**  
Four Seasons Park  
Autumn Block - Apt. 1802  
12 Cuscaden Walk  
Singapore  
Tel: 65-834-1935  
FAX: 65-834-1936

