



Parts Manual

Model _____ **Fork Positioner**

Serial Number _____ **100C-FPS-179**

cascade[®]

For Technical Assistance call: 800-227-2233, Fax: 888-329-8207

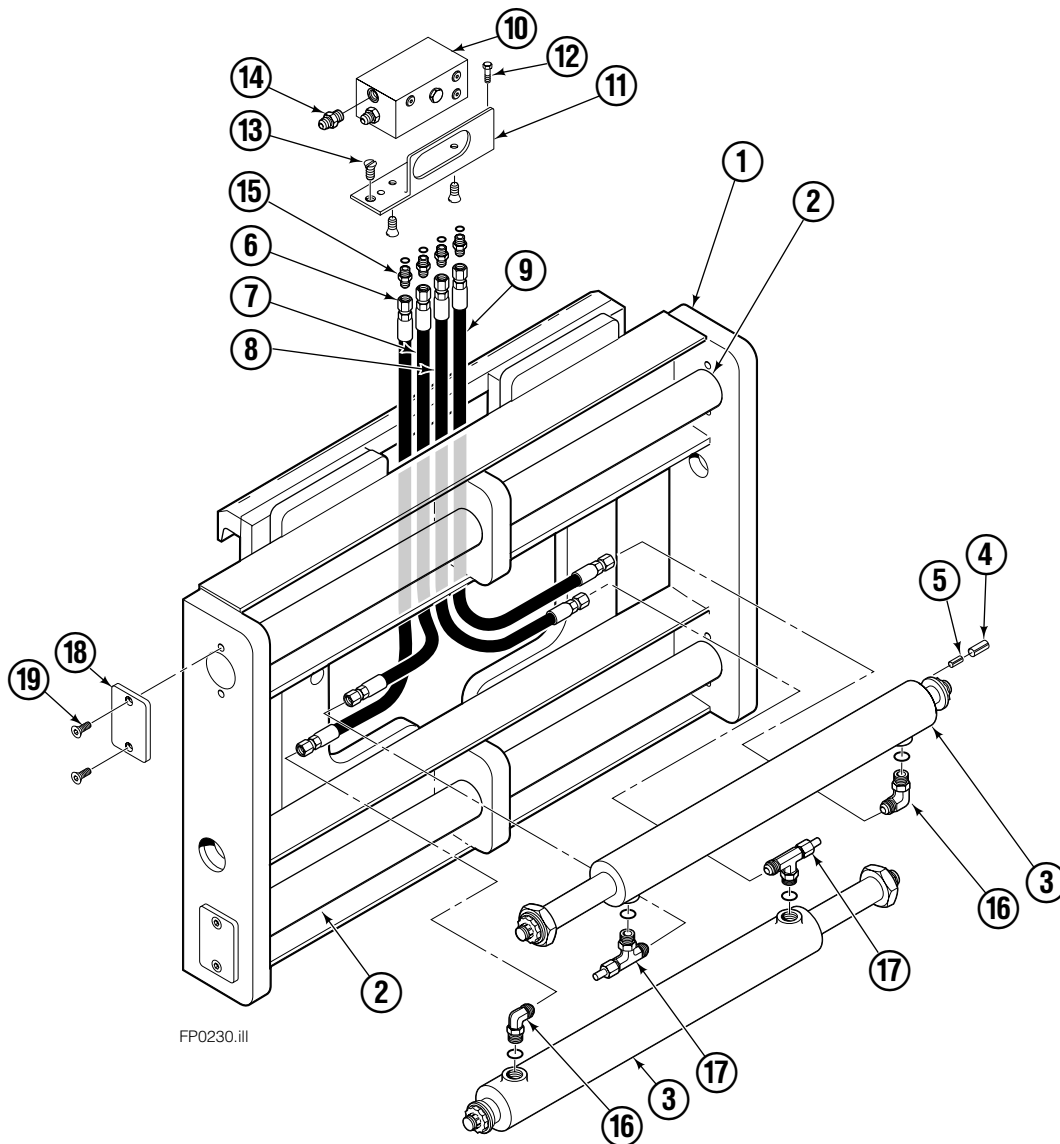
To Order Parts call: 888-227-2233, Fax: 888-329-0234

OR

Write: Cascade Corporation, P.O. Box 20187, Portland, OR 97220

Internet: www.cascorp.com

Frame Group



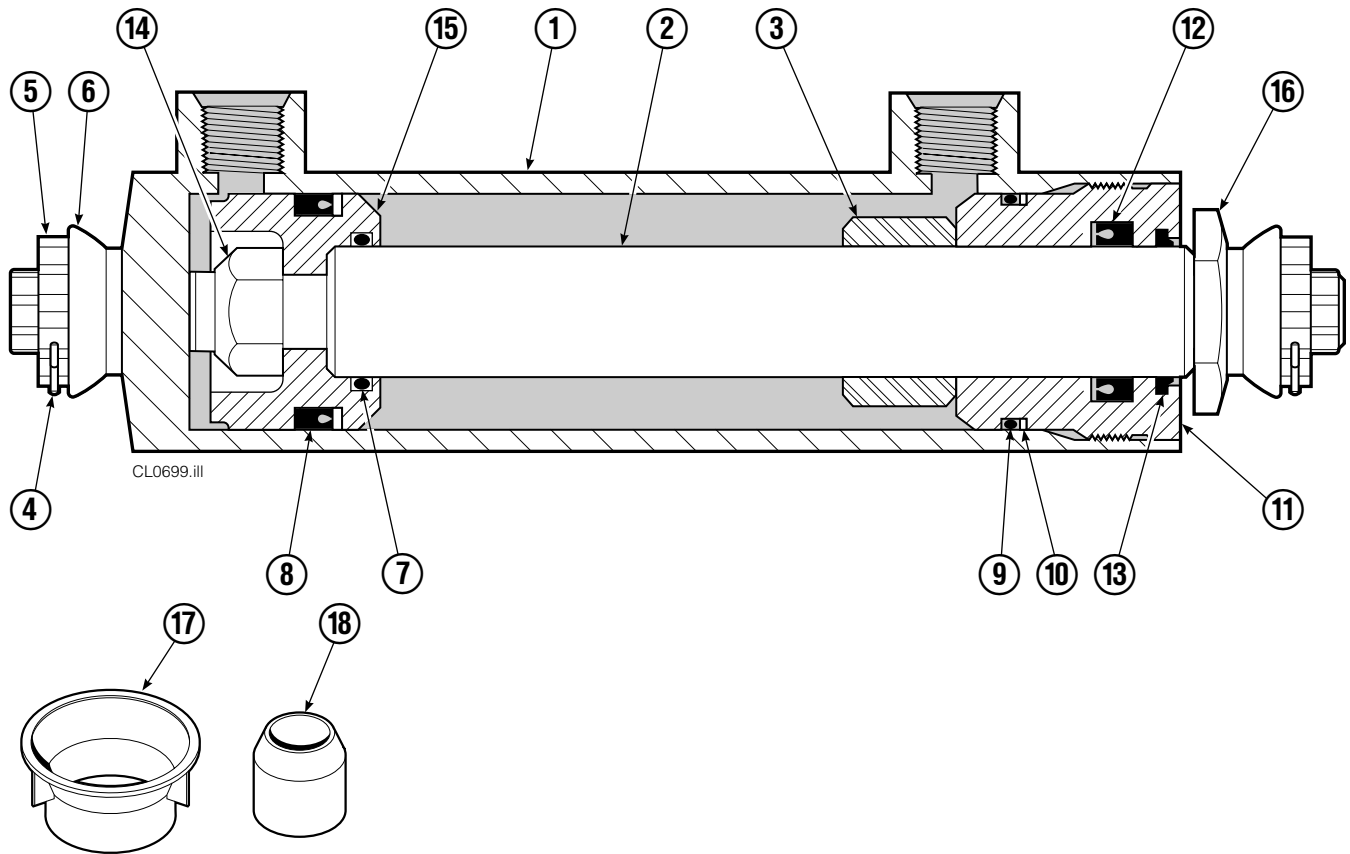
FP0230.iii

100C

REF	QTY	PART NO.	DESCRIPTION	REF	QTY	PART NO.	DESCRIPTION
		6102727	Frame Group ♦	9	1	209535	Hose – 37 in.
		384630	Hose Group	10	1	668861	Valve ▲
		381520	Hydraulic Group	11	1	844137	Bracket
1	1	397799	Frame – 60 in.	12	1	643524	Capscrew, 3/8NCx.75 GR8
2	2	829217	Shaft	13	3	4750	Capscrew, 3/8NCx.75 GR8
3	2	6102724	Cylinder ▲	14	1	601377	Fitting, 8-8
4	2	7961	Roll Pin	15	4	611288	Fitting, 6-8
5	2	7882	Roll Pin	16	2	601676	Fitting, 6-6
6	1	209535	Hose – 37 in.	17	2	617487	Restrictor ▲
7	1	685673	Hose – 60.75 in.	18	–	–	Cover
8	1	685673	Hose – 60.75 in.	19	–	–	Capscrew

- ▲ See specific page for parts breakdown.
 - ♦ Includes Sideshift Common Parts 6012323.
- Reference: S-8704, S-8894 Frame.

Cylinder



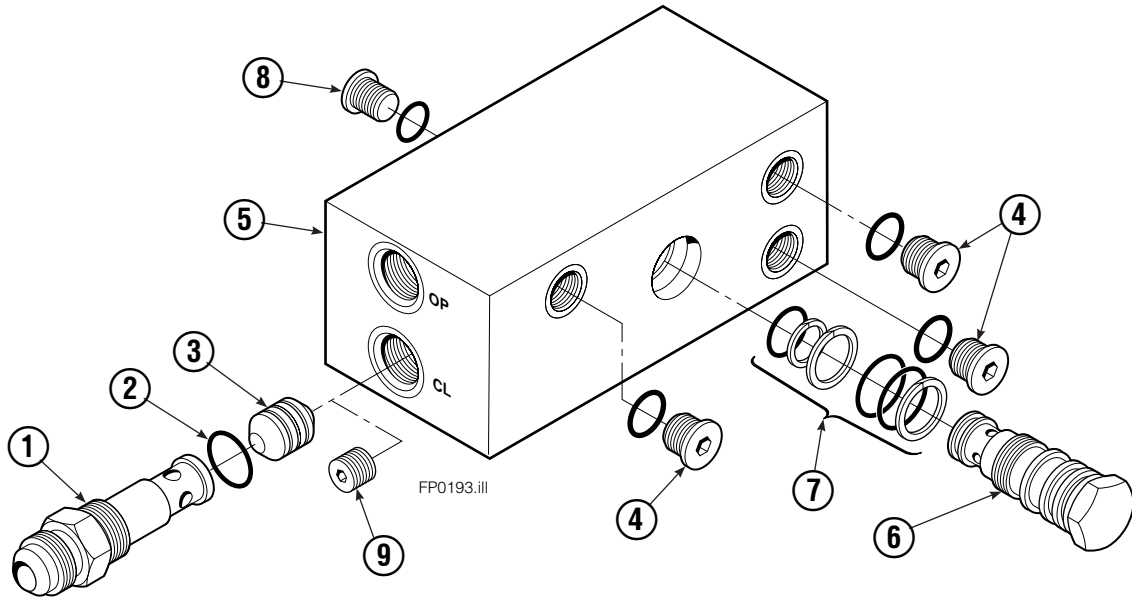
REF	QTY	PART NO.	DESCRIPTION
		6102724	Cylinder Assembly
1	1	6102725	Shell
2	1	564381	Rod
3	1	—	Spacer
4	2	6511	Cotter Pin ■
5	2	667667	Nut Retainer ■
6	2	667668	Nut ■
7	1	2722	O-Ring ✕
8	1	557376	Seal ✕
9	1	2791	O-Ring ✕
10	1	615134	Back-Up Ring ✕
11	1	667675	Retainer
12	1	662451	Seal ✕
13	1	564930	Wiper ✕
14	1	561012	Nut
15	1	558402	Piston
16	1	667676	Washer
17	1	671049	Seal Loader, Piston ✕
18	1	671052	Seal Loader, Retainer ✕
		667723	Service Kit

✕ Included in Service Kit 667723.

■ Included in Nut Service Kit 668925.

Reference: S-5564, S-5565.

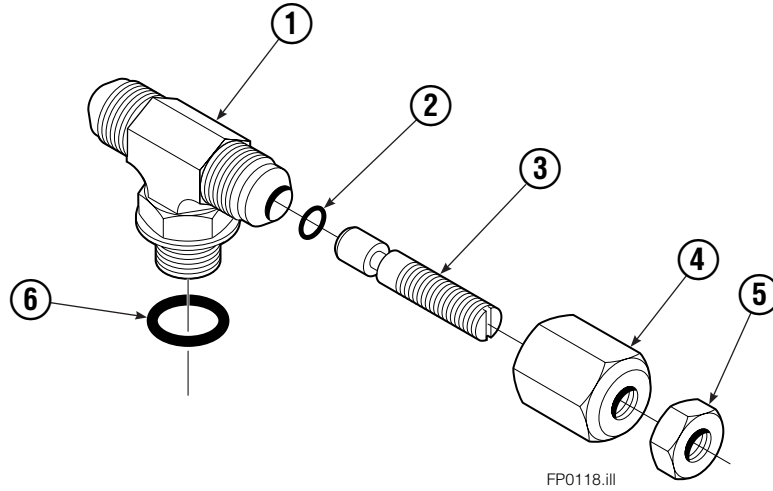
Valve Assembly



REF	QTY	PART NO.	DESCRIPTION
		668861	Check Valve
1	1	667490	Special Fitting
● 2	2	2841	O-Ring
3	1	667471	Spool
4	3	609455	Fitting
5	1	668862	Valve Body
6	1	678270	Check Valve - V.P.O.
● 7	1	661347	Service Kit
8	1	604510	Fitting, 6
■ 9	1	676343	Regeneration Elimination Plug
		668864	Service Kit

- Included in Service Kit 668864.
- For eliminating regeneration circuit only.
(See Technical Bulletin Number 121)

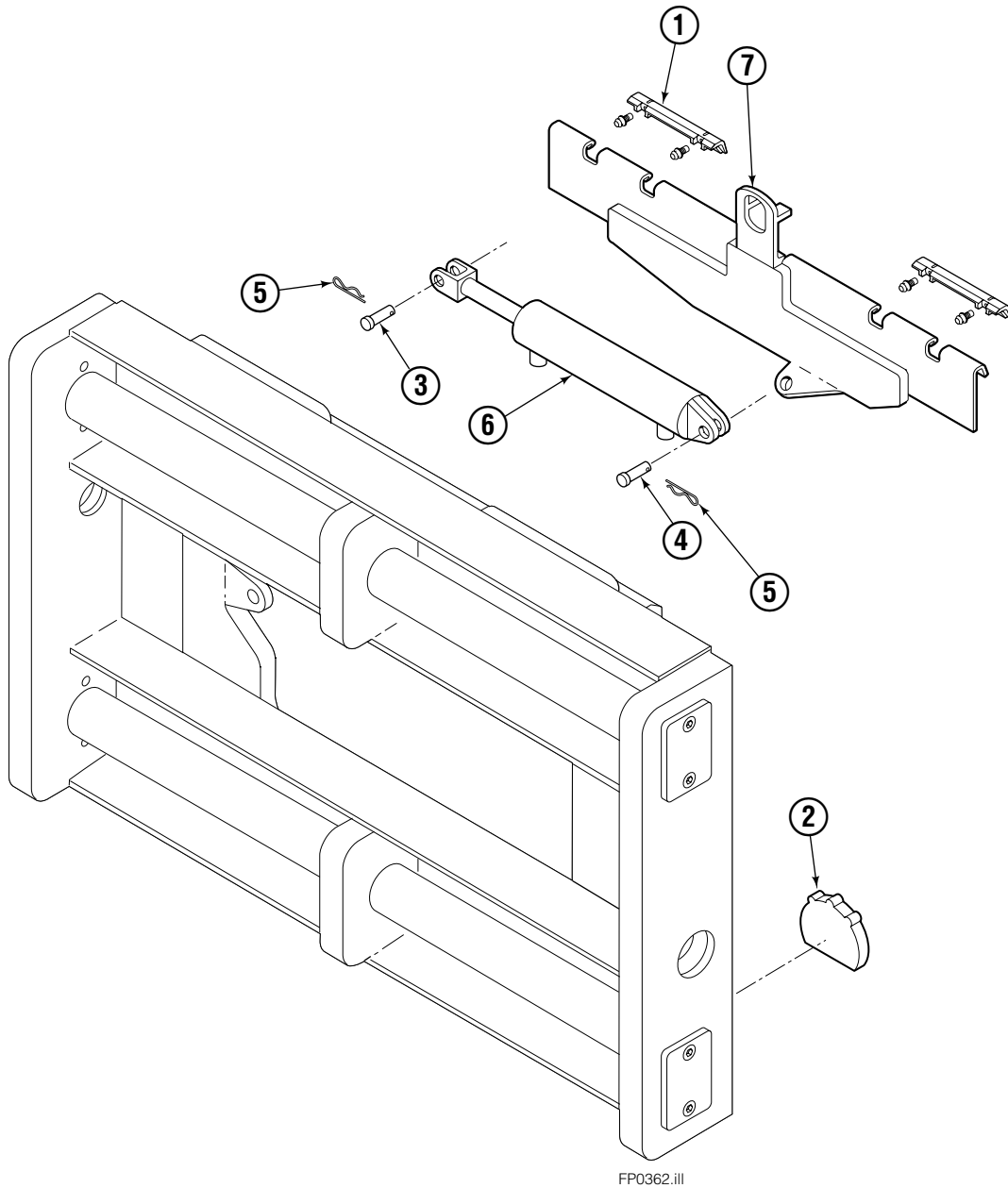
Restrictor Fitting



FP0118.ill

REF	QTY	PART NO.	DESCRIPTION
		617487	Restrictor Assembly
1	1	617486	Tee
2	1	2698	O-Ring
3	1	11100	Setscrew
4	1	11099	Cap
5	1	5715	Jam Nut
6	1	2840	O-Ring

Sideshifter Common Parts

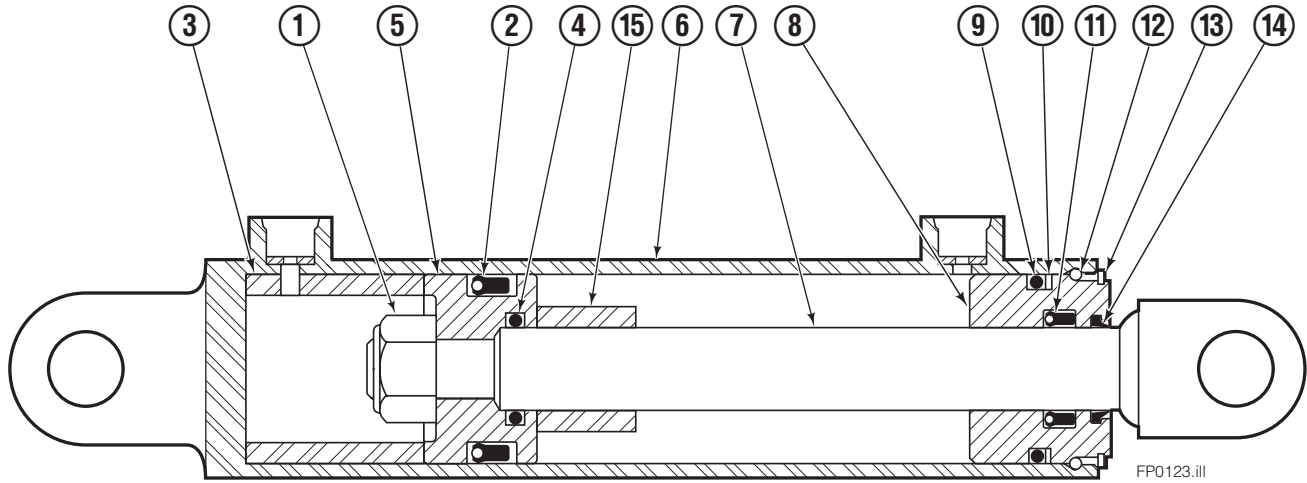


FP0362.iii

100C			
REF	QTY	PART NO.	DESCRIPTION
		6012323	Sideshifter Common Parts
1	2	672018	Bearing, Upper
2	2	676650	Bearing, Lower
3	1	686214	Clevis Pin, 76 mm
4	1	686215	Clevis Pin
5	2	686217	Cotter Pin
6	1	686244	Cylinder ■
7	1	6012267	Anchor Bracket Weldment

■ See Sideshifter Cylinder page for parts breakdown.

Sideshift Cylinder

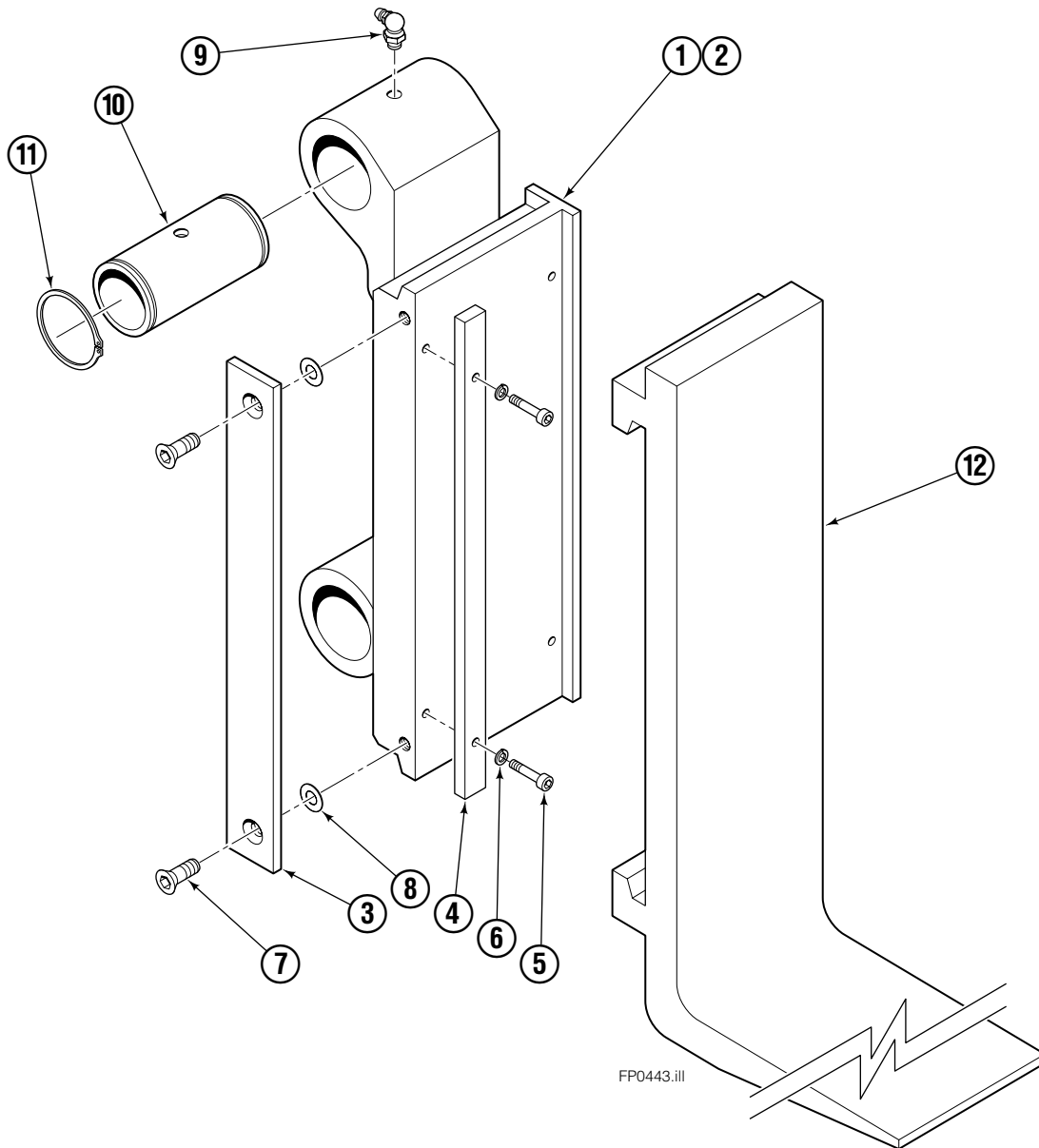


REF	QTY	PART NO.	DESCRIPTION
		686244	Cylinder Assembly
1	1	561012	Nut
■ 2	1	662457	Seal
3	1	564562	Spacer – Head
■ 4	1	2718	O-Ring
5	1	561427	Piston
6	1	561419	Shell
7	1	561422	Rod
8	1	561428	Retainer
■ 9	1	2791	O-Ring
■ 10	1	615134	Back-up Ring
■ 11	1	662449	Seal
12	1	561429	Retaining Ring
13	1	7215	Snap Ring
■ 14	1	626468	Wiper
15	1	561426	Spacer – Rod
		561430	Service Kit

■ Included in Service Kit 561430.

Ref: S-6053, S-6054

Fork Group



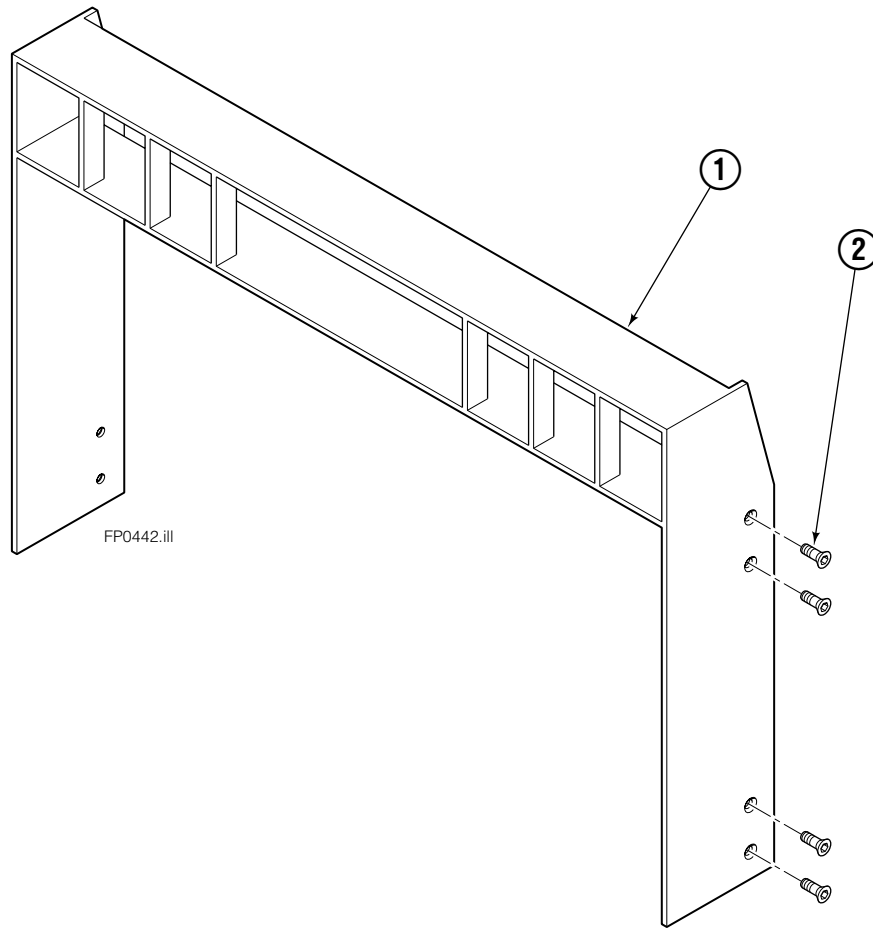
FP0443.ill

100C			
REF	QTY	PART NO.	DESCRIPTION
		6102722	Fork Group
1	1	3000829	Fork Carrier, LH
2	1	3000830	Fork Carrier, RH
3	2	3002328	Inner Plate
4	2	3002329	Spacer
5	4	4472	Capscrew, .375 x 1.50
6	4	6288	Lockwasher, .375
7	4	4771	Capscrew, .50 x 1.00
8	▲	386168	Shim
9	4	828471	Grease Fitting
10	4	827203	Bushing
11	8	7217	Retaining Ring
12	2	6102713	Fork

▲ As required.

Reference: S-8776 Forks.

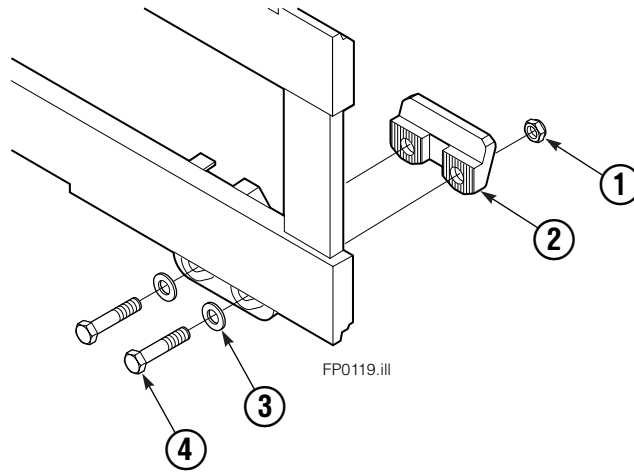
Backrest



100C			
REF	QTY	PART NO.	DESCRIPTION
		6102733	Backrest Group
1	1	6102719	Backrest
2	8	4771	Capscrew, .50 x 1.00

Reference: S-20049.

Mounting Group



100C			
REF	QTY	PART NO.	DESCRIPTION
		381517	Mounting Group
1	4	553857	Nut
2	2	678034	Lower Hook
3	4	667225	Washer
4	4	638601	Capscrew

Do you have questions you need answered right now? Call your nearest Cascade Parts Department.

Cascade Corporation
2501 Sheridan Avenue
Springfield, OH 45505
Tel: 888-CASCADE (227-2233)
FAX: 888-329-0234
www.cascorp.com

Cascade Canada Inc.
5570 Timberlea Blvd.
Mississauga, Ontario
Canada L4W-4M6
Tel: 905-629-7777
FAX: 905-629-7785

Cascade GmbH
D-41199 Monchengladbach
Klosterhofweg 52
Germany
Tel: 21-66-602091
FAX: 21-66-680947

Cascade Finland
01370 Vantas
Finland
Tel: 358-0-836-1925
FAX: 358-0-836-1935

**Cascade N.V.
European Headquarters**
P.O. Box 3009
1300 El Almere
Damsluisweg 56
1332 ED Almere
The Netherlands
Tel: 31-36-5492911
FAX: 31-36-5492964

**Cascade N.V.
Benelux Sales and Service**
P.O. Box 3009
1300 El Almere
Damsluisweg 56
1332 ED Almere
The Netherlands
Tel: 31-36-5492950
FAX: 31-36-5492974

Cascade (UK) Ltd.
15, Orgreave Crescent
Dore House Industrial Estate
Handsworth
Sheffield S13 9NQ
England
Tel: 742-697524
FAX: 742-695121

**Cascade Scandinavia
Hydraulik A.B.**
Muskötgatan 19, E8-9
S25466 Helsingborg
Sweden
Tel: 42-151135
FAX: 42-152997

Cascade Norway
Østerliveien 37A
1153 Oslo
Norway
Tel: 47-22-743160
FAX: 47-22-743157

Cascade France S.A.R.L.
11, Rue Jean Charcot
Zone Industrielle Sud or
B.P. 22
91421 Morangis Cedex
France
Tel: 1- 64547501
FAX: 1-9790584

Cascade Hispania S.A.
Avenida De La Fabregada, 7
Hospitalet De Llobregat
Barcelona
Spain
Tel: 3-335-5158
FAX: 3-335-4756

Cascade Japan Ltd.
5-5-41,
Torikai Kami
Settsu, Osaka
Japan, 566
Tel: 81-726-53-3490
FAX: 81-726-53-3497

Cascade Korea
Room 508, Pum Yang Bldg.
750-14, Bang Bac-Dong
Se-Cho Ku, Seoul
Korea
Tel: 2599-7131 ext. 512
FAX: 2533-8089

HYCO-Cascade Pty. Ltd.
1445 Ipswich Road
Rocklea,
Queensland 4107
Australia
Tel: 3-274-2722
FAX: 3-274-3456

HYCO-Cascade (NZ) Ltd.
15 Ra Ora Drive, East Tamaki
P.O. Box 38-440
Howick, Auckland
New Zealand
Tel: 9-273-9136
FAX: 9-273-9137

Cascade (Africa) Pty. Ltd.
P.O. Box 625, Isando 1600
60A Steel Road
Sparton, Kempton Park
South Africa
Tel: 975-9240
FAX: 394-1147

Cascade-Xiamen
Wanshan No. 1 Workshop
Huli Road
Xiamen 361006
Fujian, PRC
Tel: 592-562-4600
FAX: 592-562-4671

**Cascade (Singapore)
Trading Co.**
Four Seasons Park
Autumn Block - Apt. 1802
12 Cascaden Walk
Singapore
Tel: 65-834-1935
FAX: 65-834-1936

