



Parts Manual

Model 35D Bale Clamp

Serial Number 35D-BCB-53AR0

cascade[®]
corporation

For Technical Assistance call: 800-227-2233, Fax: 888-329-8207

To Order Parts call: 888-227-2233, Fax: 888-329-0234

OR

Write: Cascade Corporation, P.O. Box 20187, Portland, OR 97220

Internet: www.cascorp.com

Safety Decals



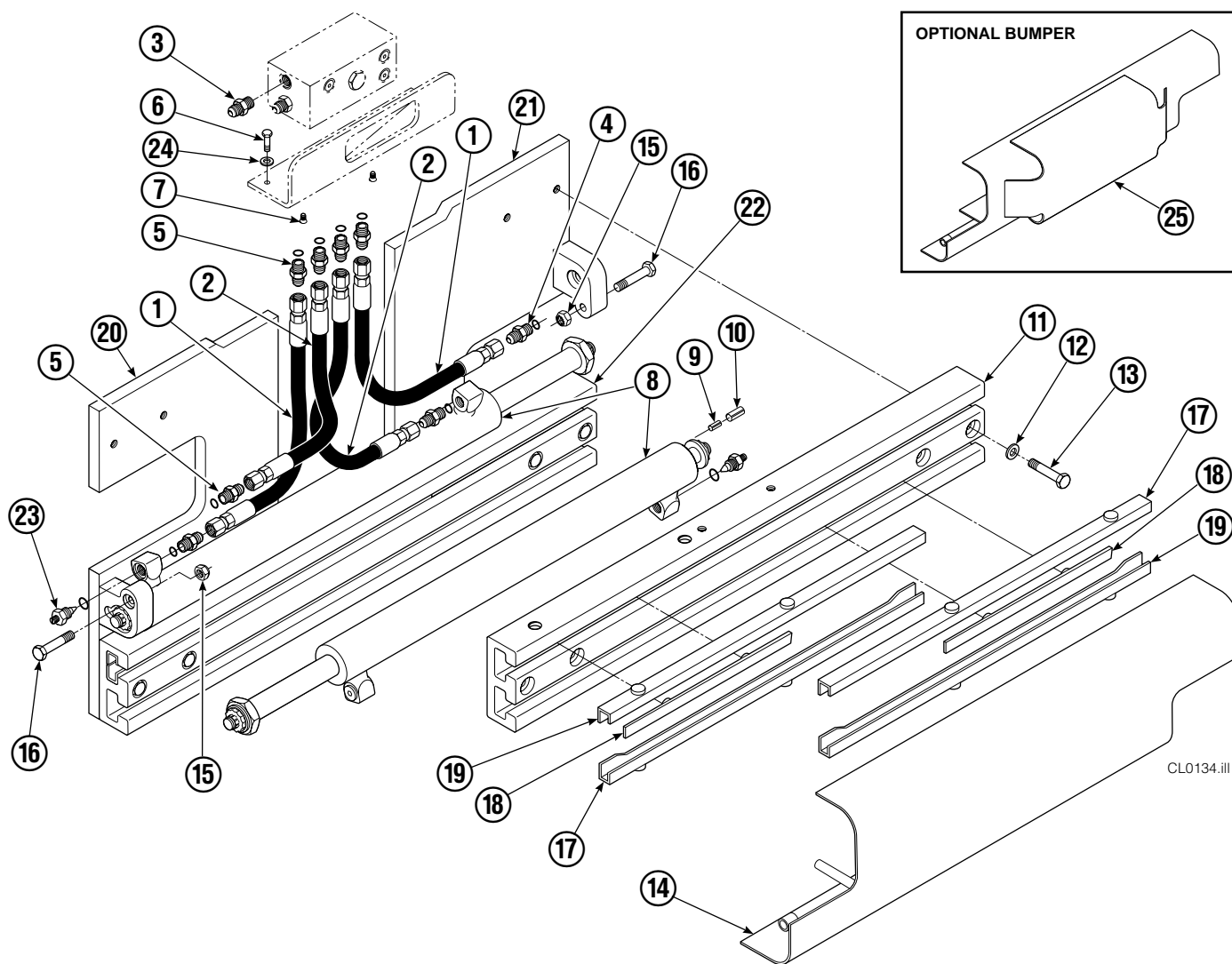
REF	QTY	PART NO.	DESCRIPTION
1	1	679150	No Step Decal
2	2	665595	No Hand Hold Decal
3	1	679059	Quick Change Hook Decal

Publications



PART NO.	DESCRIPTION
669224	Service Manual
672944	Operators Guide
668987	Installation Instructions
680664	Servicing Cascade Cylinders-VHS
679929	Tool Catalog
673964	Literature Index Order Form

Base Unit Group



CL0134.iii

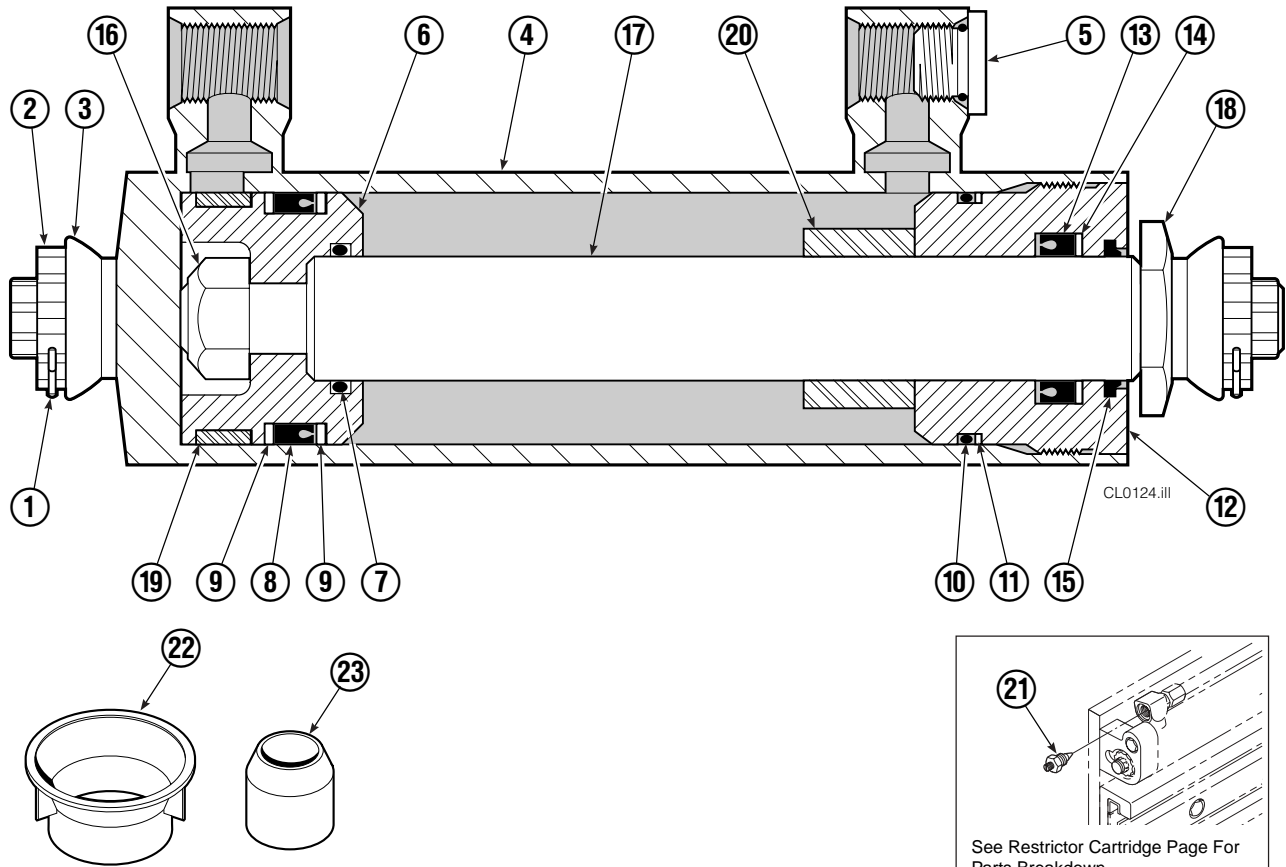
35D							
REF	QTY	PART NO.	DESCRIPTION	REF	QTY	PART NO.	DESCRIPTION
		680252	Base Unit Group	13	8	667909	Capscrew
1	2	680027	Hose, 20.00 in.	14	1	682098	Bumper
2	2	675055	Hose, 17.50 in.	15	2	665707	Nut, 1/2 in. ID
3	1	601377	Fitting, 8-8	16	2	633523	Capscrew, 1/2 NC x 2.50
4	2	686369	Fitting	17	4	668910	Bearing
5	6	611288	Fitting, 6-8	18	4	667663	Bearing
6	2	671222	Capscrew, 3/8 NC x .75	19	4	668911	Bearing
7	2	4750	Capscrew, 3/8 NC x .75	20	1	680620	Mounting Plate - RH
8	2	680488	Cylinder ▲	21	1	680619	Mounting Plate - LH
9	2	7861	Roll Pin - Inner	22	1	674168	Frame - Lower
10	2	7962	Roll Pin - Outer	23	2	667609	Restrictor Cartridge ●
11	1	671549	Frame - Upper	24	2	6230	Washer
12	8	667910	Washer	25	1	671519	Optional Bumper

▲ See Cylinder page for parts breakdown.

● Not included in Base Unit Group.
See Restrictor Cartridge page for parts breakdown.

Reference: SK-5299.

Cylinder



See Restrictor Cartridge Page For Parts Breakdown.

35D			
REF	QTY	PART NO.	DESCRIPTION
		680488	Cylinder Assembly
1	2	6510	■ Cotter Pin
2	2	667624	■ Nut Retainer
3	2	667625	■ Nut
4	1	335727	Shell
5	1	602580	Fitting
6	1	670891	Piston
7	1	2716	▲ O-Ring
8	1	662454	▲ Seal
9	2	638249	▲ Nylon Ring
10	1	2787	▲ O-Ring
11	1	615130	▲ Back-Up Ring
12	1	667917	Retainer
13	1	662448	▲ Seal
14	1	638243	▲ Nylon Ring
15	1	636853	▲ Wiper
16	1	667623	Nut
17	1	335728	Rod
18	1	667626	Washer
19	1	660761	Bearing
20	1	—	Spacer
21	1	667609	Restrictor Cartridge ●
22	1	671049	▲ Seal Loader, Piston
23	1	671052	▲ Seal Loader, Retainer
		667995	Service Kit

▲ Included in Service Kit 667995.

■ Included in Nut Service Kit 668926.

● Not included in Cylinder Assembly.

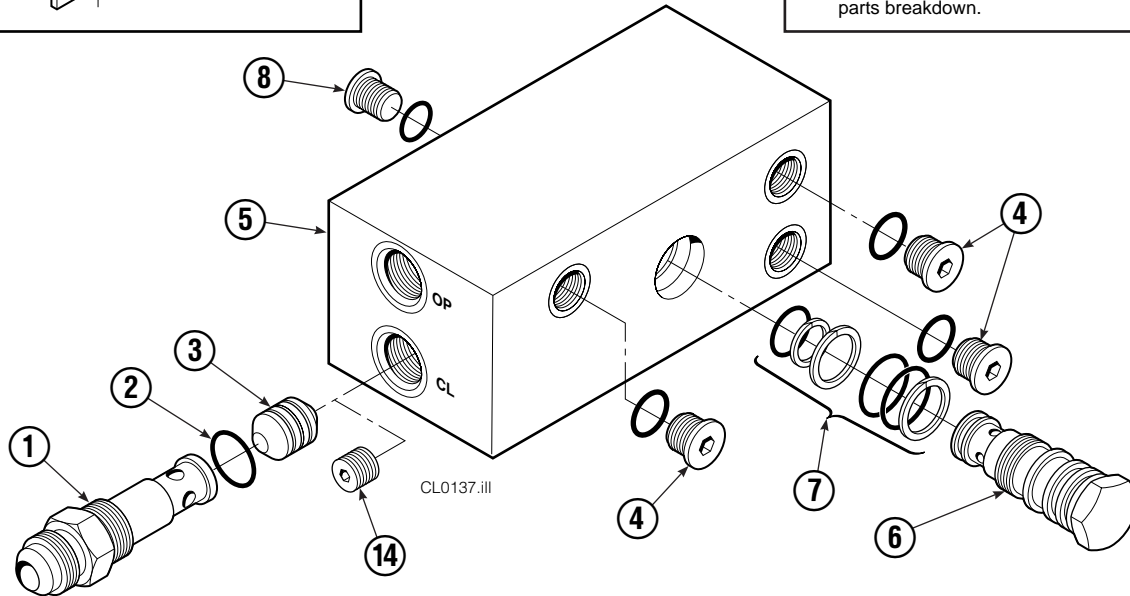
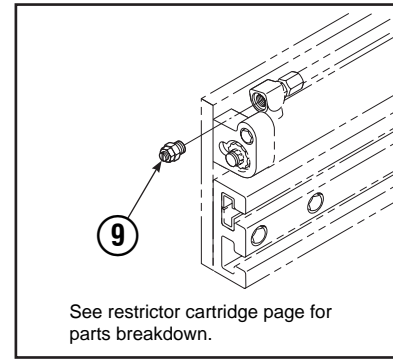
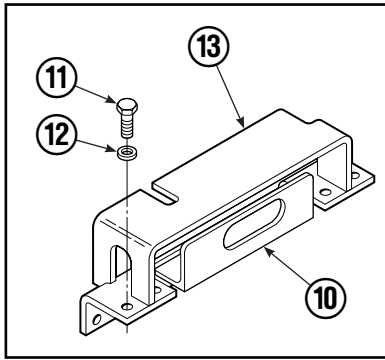
Reference: S-7662.

Restrictor Cartridge



REF	QTY	PART NO.	DESCRIPTION
		667609	Restrictor Cartridge
1	1	2701	O-Ring
2	1	667611	Plunger
3	1	2841	O-Ring
4	1	667610	Plug - Special
5	1	5716	Jam Nut

Valve Group Non-Sideshift



REF	QTY	PART NO.	DESCRIPTION
		668914	Valve Group – Non-Sideshift
		668861	Check Valve – Non-Sideshift ▲
1	1	667490	Special Fitting
2	1	2841	O-Ring ●
3	1	667471	Spool
4	3	609455	Fitting, 5
5	1	668862	Valve Body
6	1	678270	Check Valve – VPO
7	1	661347	Service Kit ●
8	1	604510	Fitting, 6
9	2	667609	Restrictor Cartridge
10	1	669999	Bracket
11	4	670004	Capscrew, 1/2 NC x 1.25
12	4	6232	Washer
13	1	670006	Guard – 25D/35D
14	1	676343	Regeneration Elimination Plug ■
		668864	Service Kit

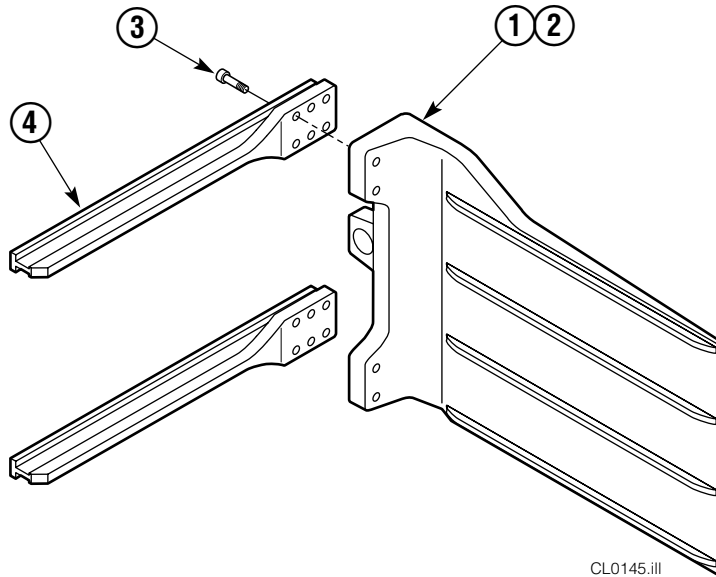
▲ Includes items 1– 8 only.

● Included in Service Kit 668864.

■ For eliminating regeneration circuit only. See Tech. Bulletin 121.

Reference: SK-5302.

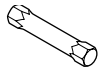
Bale Arms



CL0145.ill

ARM CAPSCREW EXTENSION TOOL

Required for proper torquing of capscrews



35D

667699

35D

REF	QTY	PART NO.	DESCRIPTION
		682936	Bale Arm Group - LH ●
		682937	Bale Arm Group - RH ▲
1	1	682941	Arm Weldment - LH
2	1	682944	Arm Weldment - RH
3	12	607103	Capscrew, 3/4 NC x 1.50 GR8
4	4	667905	Arm Bar

● Includes items 1 and 3.

▲ Includes items 2 and 3.

Bolt-On Mounting Group



Class II			
REF	QTY	PART NO.	DESCRIPTION
		678934	Lower Hook Group
1	2	675968	Lower Hook
2	4	667225	Washer, 5/8 in. ID
3	4	667369	Capscrew, 5/8 NC x 1.25 GR 5

Reference: S-3197.

Mounting Plates with Bolt-On Upper Hooks



REF	QTY	PART NO.	DESCRIPTION
1	1	680619	Mounting Plate Assembly-LH ●
2	1	680620	Mounting Plate Assembly-RH ■
3	1	6002330	Upper Hook-LH
4	1	210491	Upper Hook-RH
5	4	768577	Capscrew, M20 x 35

● Includes items 3 and 5.

■ Includes items 4 and 5.

Do you have questions you need answered right now? Call your nearest Cascade Parts Department.

Cascade Corporation

2501 Sheridan Avenue
Springfield, OH 45505
Tel: 888-CASCADE (227-2233)
FAX: 888-329-0234
www.cascorp.com

Cascade Canada Inc.

5570 Timberlea Blvd.
Mississauga, Ontario
Canada L4W-4M6
Tel: 905-629-7777
FAX: 905-629-7785

Cascade GmbH

D-41199 Monchengladbach
Klosterhofweg 52
Germany
Tel: 49-216-668230
FAX: 49-216-6682323

Cascade Finland

Albert Petreliuksenkatu 3
01370 Vantaa
Finland
Tel: 358-9-836-1925
FAX: 358-9-836-1935

**Cascade N.V.
European Headquarters**

P.O. Box 3009
1300 El Almere
Damluisweg 56
1332 ED Almere
The Netherlands
Tel: 31-36-5492911
FAX: 31-36-5492964

**Cascade N.V.
Benelux Sales and Service**

P.O. Box 3009
1300 El Almere
Damluisweg 56
1332 ED Almere
The Netherlands
Tel: 31-36-5492950
FAX: 31-36-5492974

Cascade (UK) Ltd.

15, Orgreave Crescent
Dore House Industrial Estate
Handsworth
Sheffield S13 9NQ
England
Tel: 742-697524
FAX: 742-695121

Cascade Scandinavia AB

Box 124
Hammarvägen 10
567 23 Vaggeryd
Sweden
Tel: 42-0-393-36950
FAX: 46-0-393-36959

Cascade Norway

Østerliveien 37A
1153 Oslo
Norway
Tel: 47-22-743160
FAX: 47-22-743157

Cascade France S.A.R.L.

1D Rue De Charaintru
BP 18, 91360 Epinay-Sur-Orge
Morangis Cedex, France
Tel: 33-1- 64547500
FAX: 33-1-64547501

Cascade Hispania S.A.

Carrer 5 Sector C
Zona Franca Duanera
Poligono de la Zon Franca
08040 Barcelona, Spain
Office No. 256
Tel: 93-264-07-30
FAX: 93-264-07-31

Cascade Japan Ltd.

5-5-41,
Torikai Kami
Settsu, Osaka
Japan, 566
Tel: 81-726-53-3490
FAX: 81-726-53-3497

Cascade Korea

108B, Namdong Ind Complex
658-3 Gojan-Dong
Namdong-Gu
Inchon, 405-310 Korea
Tel: 82-32-821-2051
FAX: 82-32-821-2055

Cascade Australia

1445 Ipswich Road
Rocklea, QLD 4106
Australia
Tel: 1-800227-223
FAX: (07) 3373-7333

Cascade New Zealand

15 Ra Ora Drive
East Tamaki, Auckland
New Zealand
Tel: 9-273-9136
FAX: 9-273-9137

Cascade (Africa) Pty. Ltd.

P.O. Box 625, Isando 1600
60A Steel Road
Sparton, Kempton Park
South Africa
Tel: 27-11-975-9240
FAX: 27-11-394-1147

Cascade-Xiamen

No. 668 Yangguant Rd.
Xinyang Industry Zone
Haicant, Xiamen City
Fujian Province
P.R. China 361026
Tel: 86-592-651-2500
FAX: 86-592-651-2571

**Cascade (Singapore)
Trading Co.**

Four Seasons Park
Autumn Block - Apt. 1802
12 Cuscaden Walk
Singapore
Tel: 65-834-1935
FAX: 65-834-1936

