



Parts Manual

Model _____ Push/Pull _____

Serial Number _____ 45E-PB-206 _____

cascade[®]

For Technical Assistance call: 800-227-2233, Fax: 888-329-8207

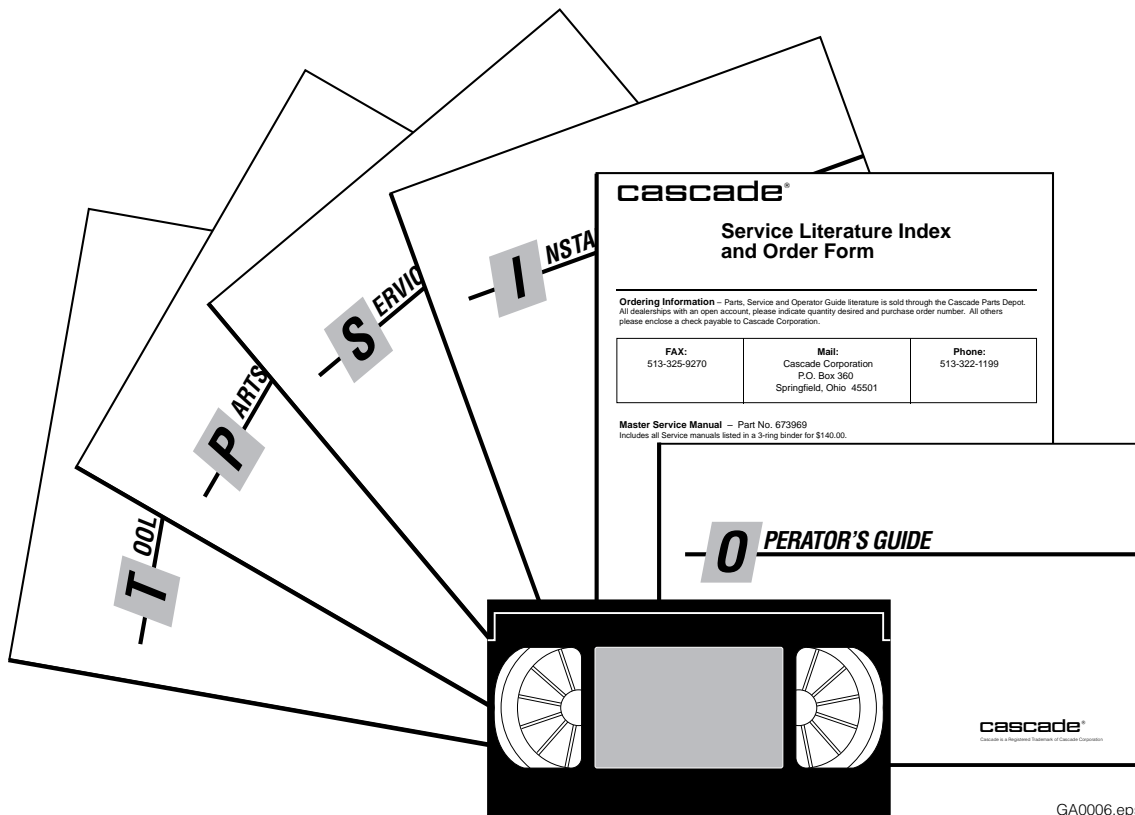
To Order Parts call: 888-227-2233, Fax: 888-329-0234

OR

Write: Cascade Corporation, P.O. Box 20187, Portland, OR 97220

Internet: www.cascorp.com

Publications



GA0006.eps

PART NO.	DESCRIPTION
	Parts Manual
686455	Service Manual
684945	Operators Guide
685531	Operators Pocket Guide
684944	Installation Instructions
680664	Servicing Cascade Cylinders-VHS
679929	Tool Catalog
673964	Literature Index Order Form

Decals



Optional Faceplate Extension



Part No. 679150
(1 Place & 1 optional)



Part No. 665595
(2 Place & 2 optional)



Part No. 656038
(6 Places)

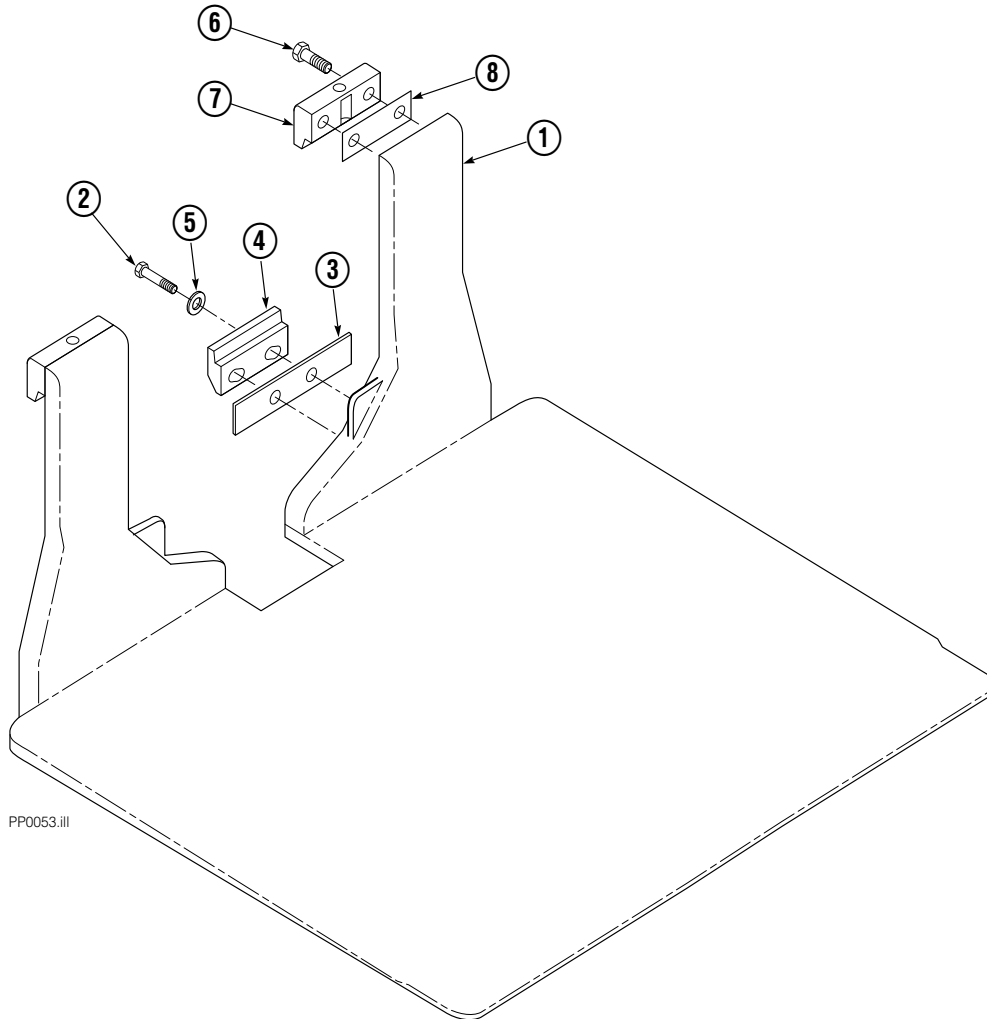


Part No. 679059
(1 Place if equipped with Quick Change Hooks)



PP0060.iii

One Piece Platens



Note: Usable platen lengths are determined by measuring from the faceplate (fully retracted position) to the platen tip or total platen length minus 4 1/2".

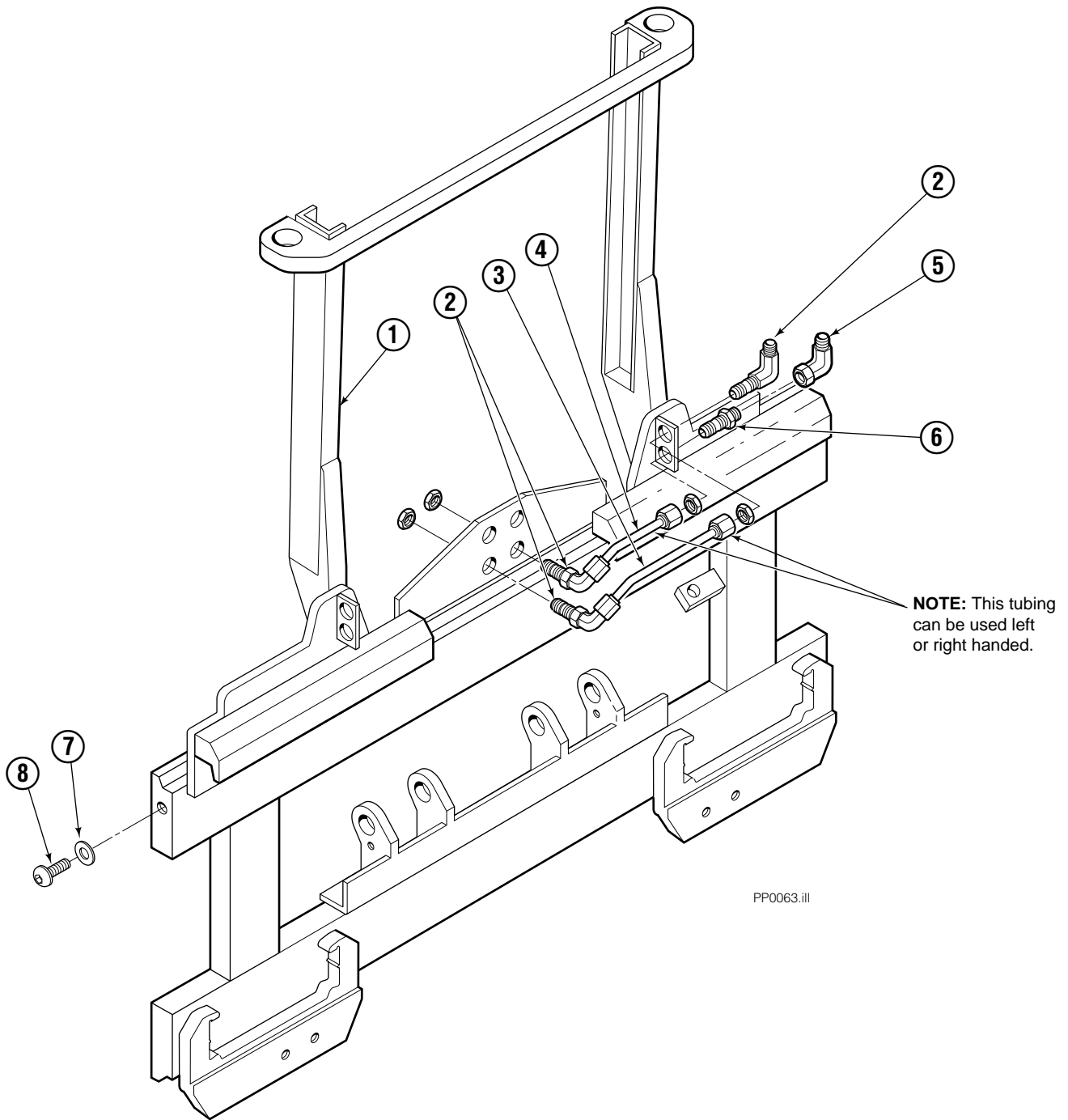
REF	QTY	PART NO.	DESCRIPTION
		348228	One Piece Platen Group
1	1	348332	One Piece Platen
2	4	209016	Capscrew
3	★	685675	Shim (.030)
4	2	667370	Lower Hook
5	4	667225	Washer
6	4	685677	Capscrew
7	2	685533	Upper Hook
8	■	688379	Shim (.060)

★ As required.

● As required (2 maximum)

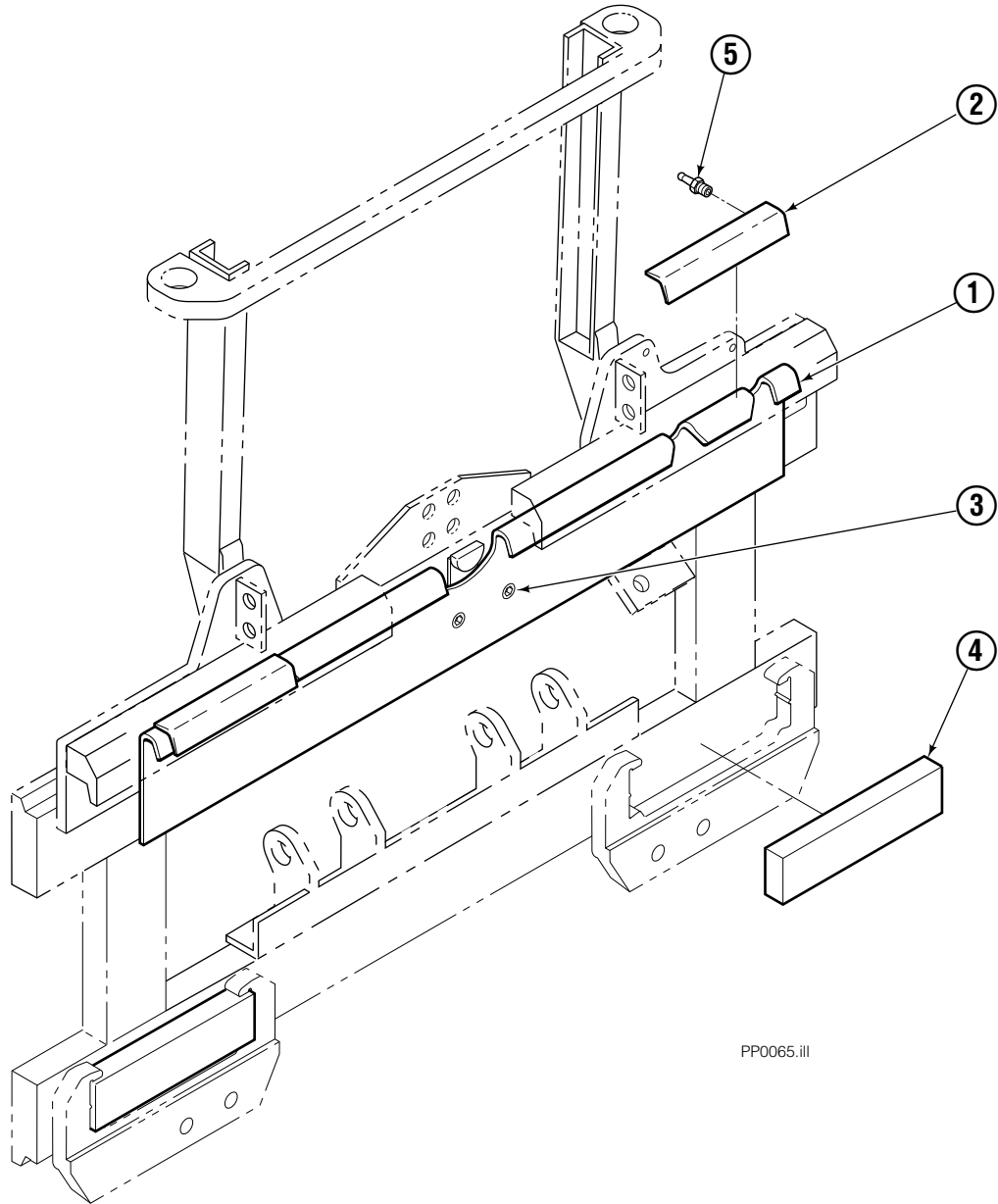
Ref: S-3412

Frame Group ITA II



35E/45E			
REF	QTY	PART NO.	DESCRIPTION
		682828	Frame Group ITA II
1	1	682604	Frame
2	3	2453	Fitting, 6-6
3	1	686509	Tube
4	1	686510	Tube
5	1	2680	Fitting, 6-6
6	1	2375	Fitting, 6-6
7	2	683001	Washer
8	2	683142	Capscrew

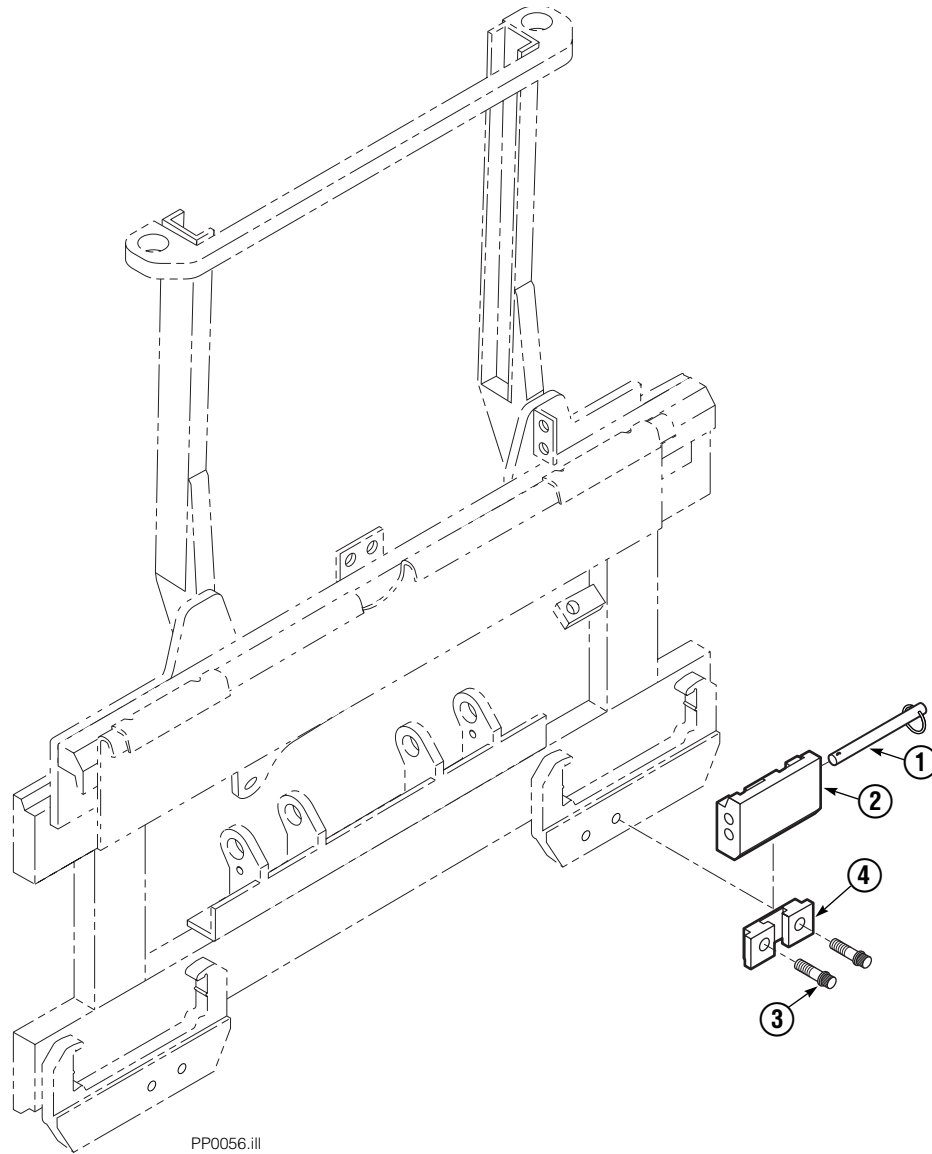
Non S/S Mounting Group ITA II



PP0065.ill

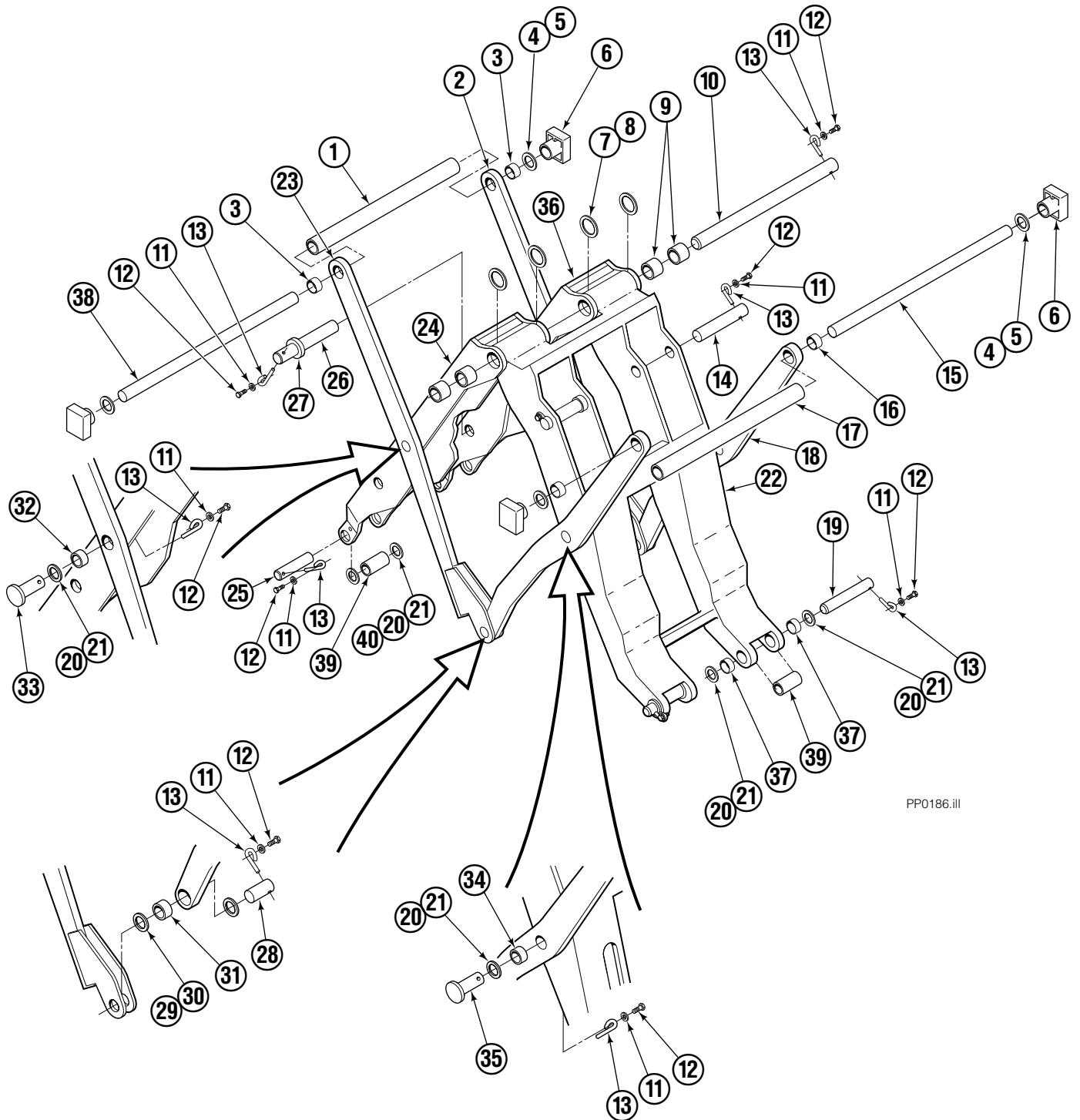
35E/45E			
REF	QTY	PART NO.	DESCRIPTION
		682832	Mounting Group-39" Wide
1	1	682550	Anchor Bracket-39" Wide
2	2	671165	Bearing Segment
3	2	768759	Setscrew
4	2	682814	Bearing
5	4	7403	Grease Fitting

Quick-Change Lower Hook Group ITA II



35E/45E			
REF	QTY	PART NO.	DESCRIPTION
		683179	Lower Hook Group ITA II
1	2	678832	Pin
2	2	675514	Hook
3	4	683182	Capscrew
4	2	675515	Guide

Mechanism Group



PP0186.iii

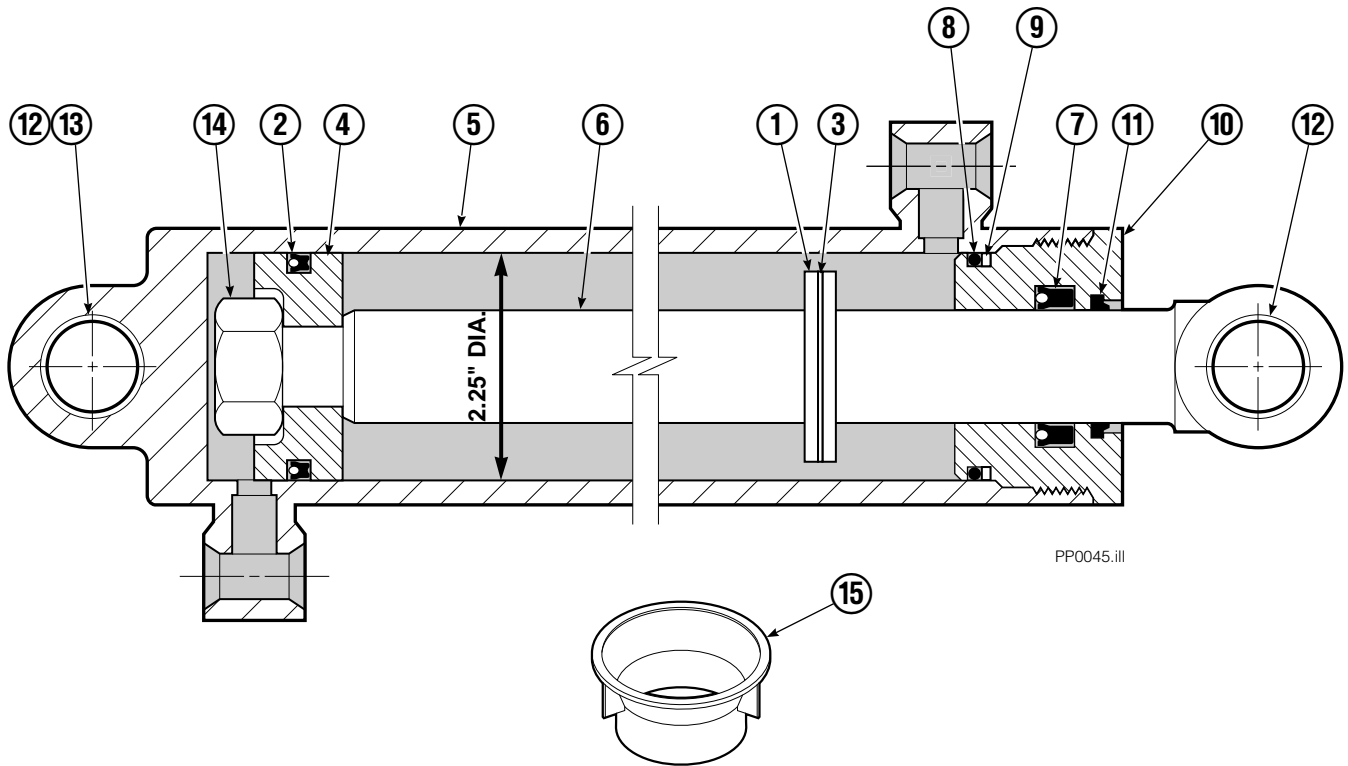
Mechanism Group

35E/45E			
REF	QTY	PART NO.	DESCRIPTION
		200807	Mechanism Group
1	1	682817	Tube
2	1	683000	Arm-Secondary Outer R. H.
3	2	683154	Bushing
4	●	683161	Shim (.030)
5	●	683162	Shim (.060)
6	4	682866	Bearing
6	4	688396	Bearing - Heavy Duty
7	●	683163	Shim (.030)
8	●	683164	Shim (.060)
9	4	683155	Bushing
10	1	682821	Pin
11	15	6229	Washer
12	15	685661	Capscrew, M8x1.25x14-8.8
13	15	682999	Eye-Pin
14	2	682822	Pin-Head
15	1	682815	Pin
16	2	683153	Bushing
17	1	682817	Tube
18	2	682543	Arm-Outer Primary
19	2	682819	Pin-Frame
20	●	683159	Shim
21	●	683160	Shim
22	1	682598	Arm-Inner Primary
23	1	682540	Arm-Secondary Outer L. H.
24	1	682588	Arm-Inner Secondary L. H.
25	2	682820	Pin-Faceplate
26	2	682823	Pin-Rod
27	2	683165	Spacer
28	2	682824	Pin-Outer
29	●	683158	Shim
30	●	683157	Shim
31	2	683149	Bushing
32	2	683152	Bushing
33	2	682826	Pin-Secondary Outer
34	2	683151	Bushing
35	2	682825	Pin-Primary Outer
36	1	682589	Arm-Inner Secondary R.H.
37	4	683150	Bushing
38	1	682816	Pin
39	4	685127	Spacer
40	●	685838	Shim

● Quantity as required.

Reference: Arm Group 684940.

Cylinder



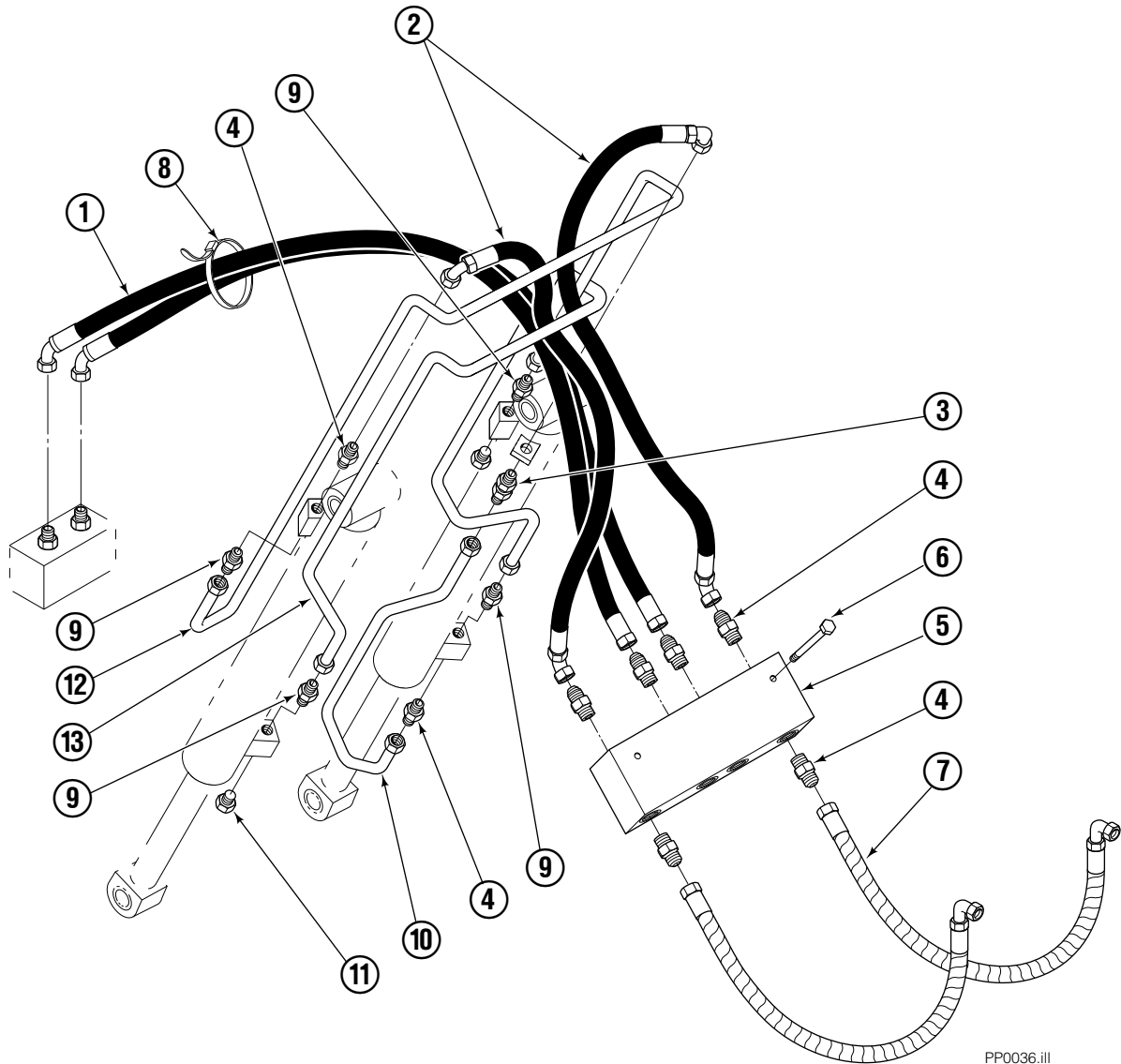
35E/45E

REF	QTY	PART NO.	DESCRIPTION
		200986	Cylinder Assembly
1	1	685379	Spacer
2	1	562553	Seal ■
3	1	7348	Snap Ring
4	1	562333	Piston
5	1	562717	Shell
6	1	558626	Rod
7	1	559705	Seal ■
8	1	2787	O-Ring ■
9	1	615130	Back-Up Ring ■
10	1	558628	Retainer
11	1	636853	Wiper ■
12	4	559697	Bearing
13	1	559698	Spacer
14	1	678019	Nut
15	1	671048	Seal Loader Kit ■

■ Included in Service Kit 562339.

Reference: S-3424

Hydraulic Group



PP0036.ill

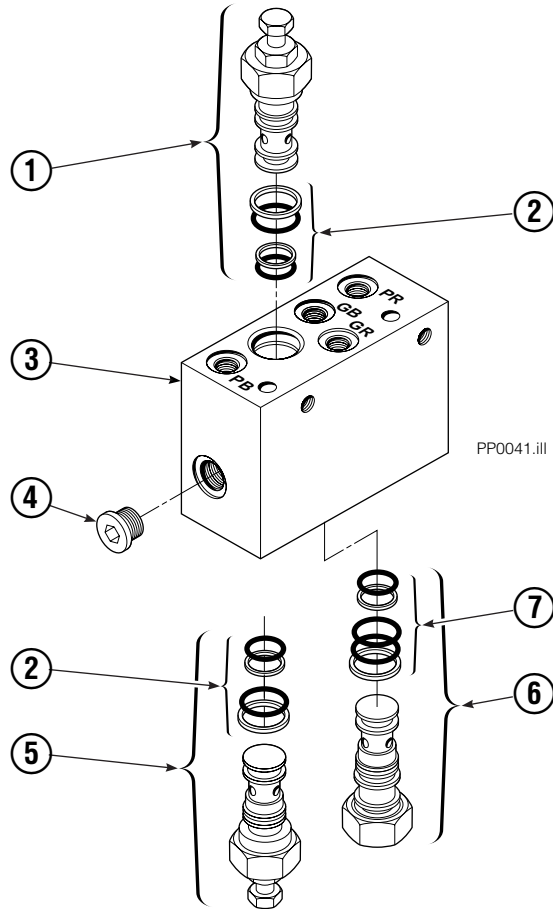
35E/45E

REF	QTY	PART NO.	DESCRIPTION
		685828	Hydraulic Group ITA II
1	1	685831	Hose
2	2	683173	Hose
3	1	2375	Fitting, 6-6
4	8	604511	Fitting, 6-6
5	1	682812	■ Valve
6	2	765329	Capscrew, M8x1.25x20-8.8
7	2	685978	Hose ITA II
8	2	684956	Cable tie
9	4	605235	Fitting 5-6
10	1	200647	Tube
11	2	604510	Plug, 6
12	1	200649	Tube
13	1	200648	Tube

■ See Valve page for parts breakdown.

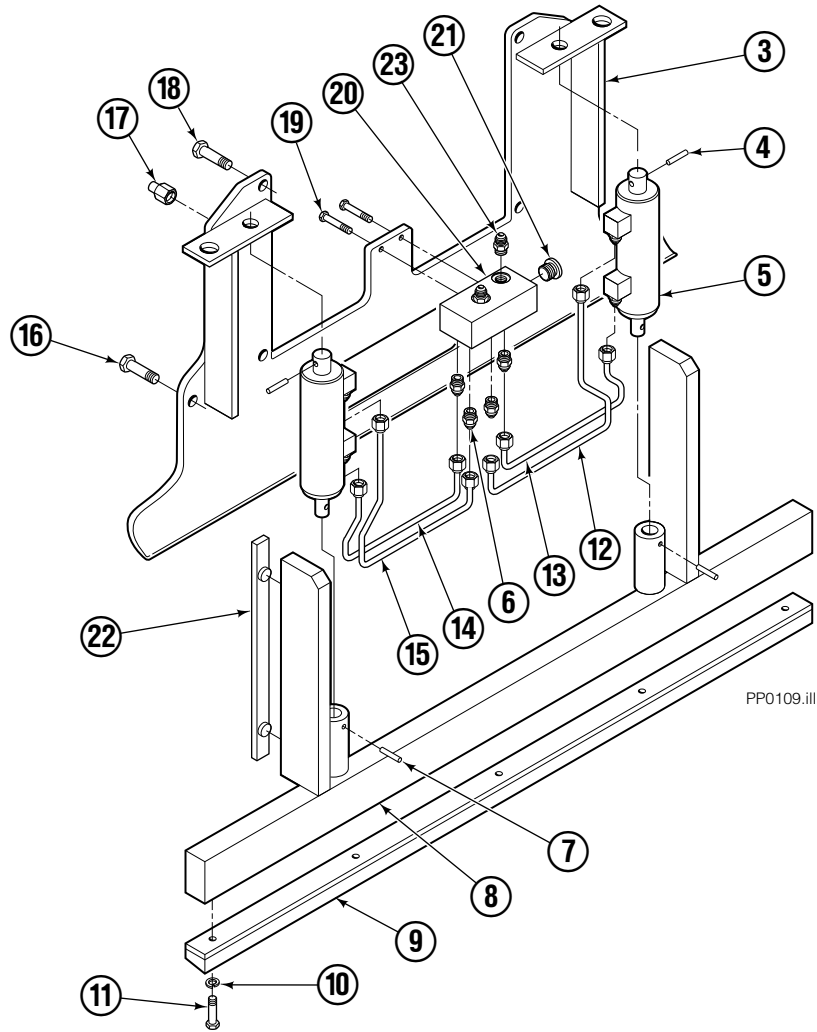
Valve

Load Push/Pull



35E/45E			
REF	QTY	PART NO.	DESCRIPTION
		682812	Valve Assembly
1	1	677125	Sequence Valve (Retract)
2	2	669597	Service Kit
3	1	682813	Body
4	5	663694	Fitting, 3
5	1	677124	Sequence Valve (Extend)
6	1	659058	Gripper Check Valve
7	1	667516	Service Kit

Faceplate Group



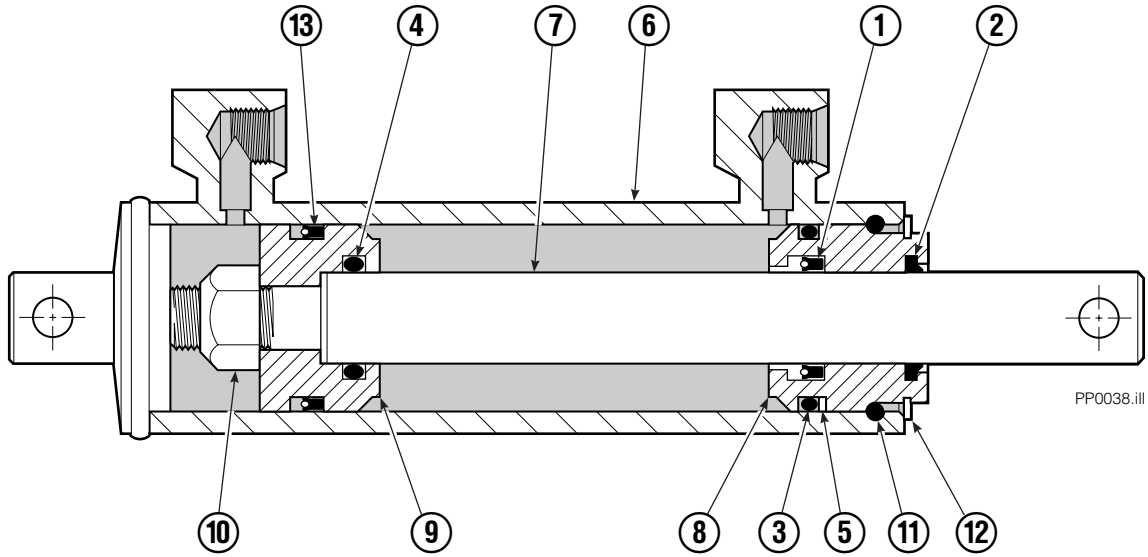
PP0109.ill

35E/45E

REF	QTY	PART NO.	DESCRIPTION	REF	QTY	PART NO.	DESCRIPTION
		688403	Faceplate Group 40" x 52" ■	12	1	682847	Tube
		686570	Gripper Jaw Assembly ●	13	1	682846	Tube
1	1	688404	Faceplate 40" x 52" ■	14	1	682848	Tube
2	4	683150	Bushing	15	1	682849	Tube
3	1	682583	Gripper Jaw	16	2	768710	Capscrew
4	2	673385	Drive Pin	17	4	682850	Stop
5	2	682844	Gripper Cylinder ▼	18	4	779010	Capscrew
6	8	617915	Fitting, 4-4	19	2	763166	Capscrew, M8x1,25x25-8.8
7	2	200877	Drive Pin	20	1	685832	Junction Block
8	1	686571	Gripper Bar	21	2	609234	Plug, 4
9	1	672712	Gripper Pad	22	2	686573	Bearing
10	5	6444	Lockwasher	23	2	604511	Fitting, 6-6
11	5	768794	Capscrew, M8x1,25x20-8.8				

- Width x height.
- Includes items 2 through 20.
- ▼ See Gripper Cylinder page for parts breakdown.

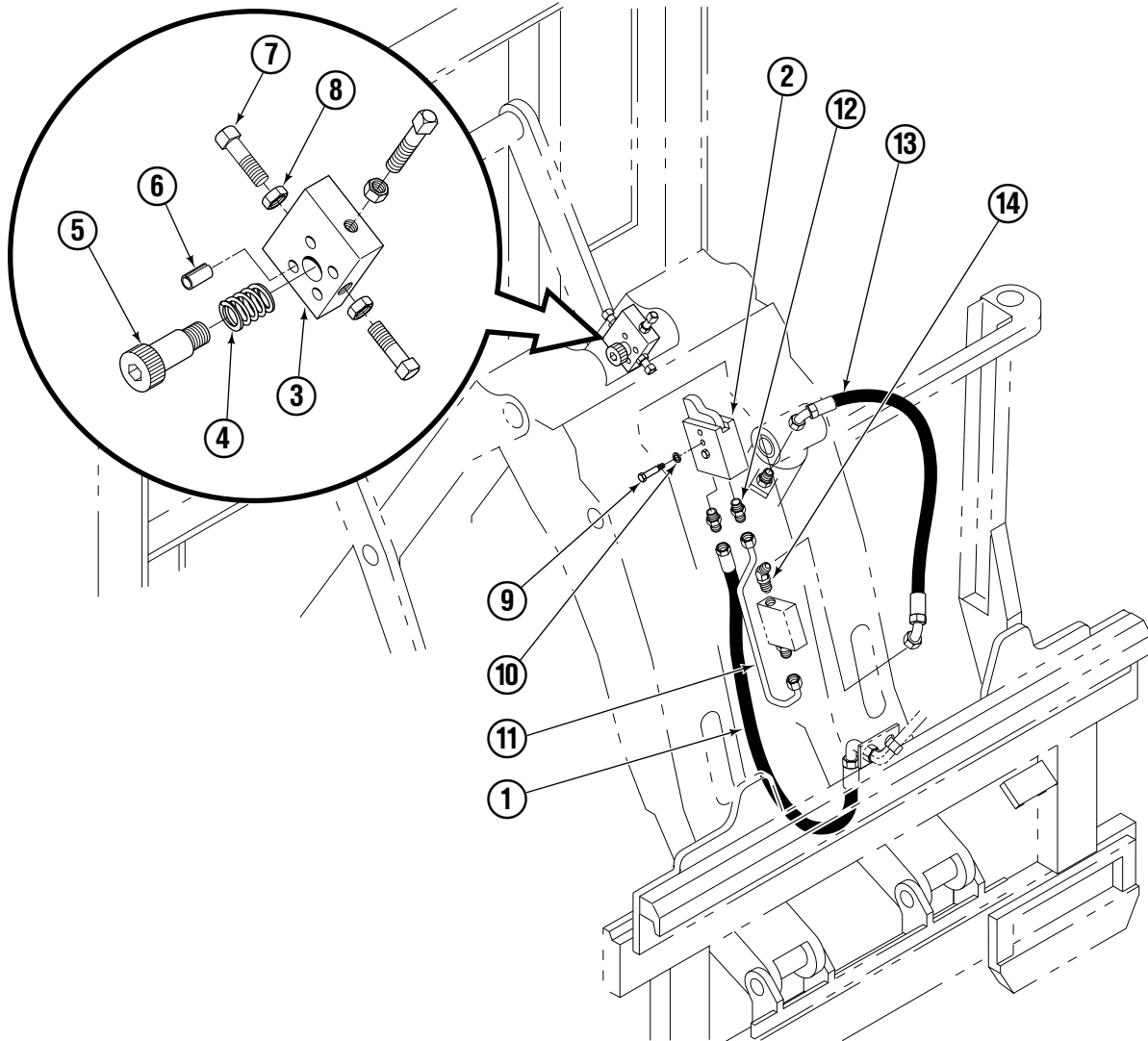
Gripper Cylinder



35E/45E			
REF	QTY	PART NO.	DESCRIPTION
		682844	Gripper Cylinder
▼ 1	1	646540	Seal
▼ 2	1	636850	Wiper
▼ 3	1	2718	O-Ring
▼ 4	1	2710	O-Ring
▼ 5	1	615122	Back-Up Ring
6	1	685662	Shell
7	1	685663	Rod
8	1	685664	Retainer
9	1	685665	Piston
10	1	563462	Nut
11	1	563916	Ring
12	1	684284	Snap Ring
▼ 13	1	663728	Piston Seal

▼ Included in Service Kit 684827.

Hydraulic Stop Group

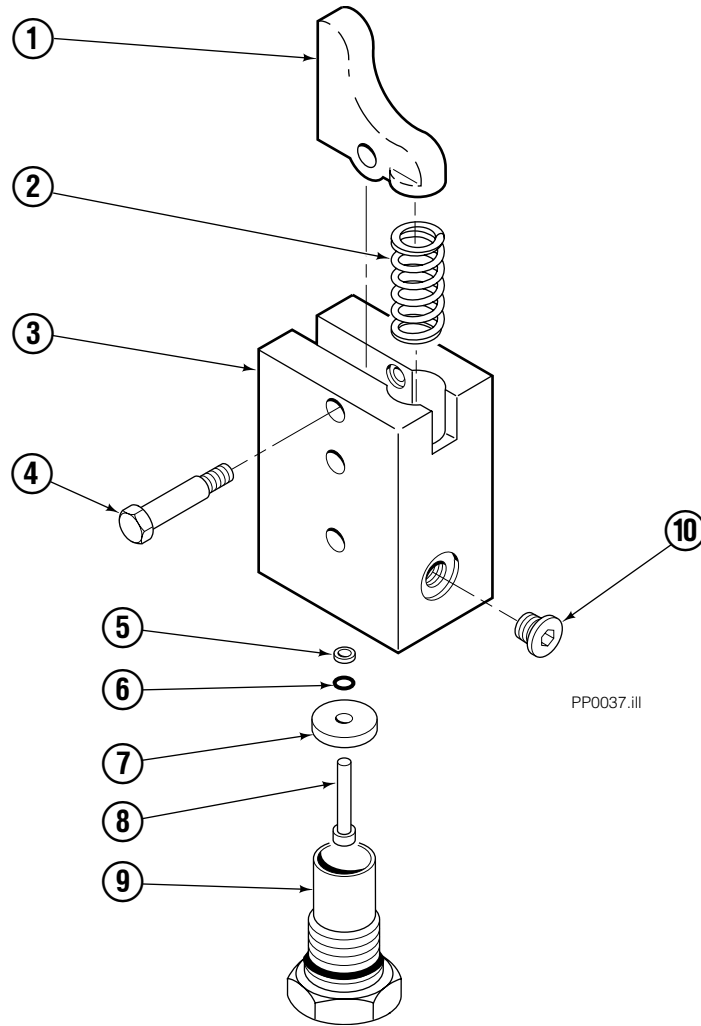


PP0034.ill

REF	QTY	PART NO.	DESCRIPTION
		684567	Hydraulic Stop Group – ITA II
1	1	684568	Hose – ITA II
2	1	684572	■ Valve
3	1	684578	Selector Body
4	1	684580	Spring
5	1	685659	Shoulder Bolt
6	1	769026	Roll Pin
7	3	684582	Capscrew
8	3	684583	Nut
9	2	768527	Capscrew, M8x1,25x50-8.8
10	2	6287	Lockwasher
11	1	684584	Tube
12	2	604511	Fitting, 6-6
13	1	211970	Hose
14	1	611302	Fitting, 6

■ See Valve page for parts breakdown.

Hydraulic Stop Valve



35E/45E			
REF	QTY	PART NO	DESCRIPTION
		684572	Hydraulic Stop Valve
1	1	684575	Actuator
2	1	630041	Spring
3	1	684573	Body
4	1	684576	Shoulder Screw
5	1	615000	Back-up Ring
6	1	2696	O-Ring
7	1	669310	Spacer
8	1	684577	Plunger
9	1	671690	Valve Cartridge
10	1	663694	Fitting, 3

Do you have questions you need answered right now? Call your nearest Cascade Parts Department.

Cascade Corporation
2501 Sheridan Avenue
Springfield, OH 45505
Tel: 888-CASCADE (227-2233)
FAX: 888-329-0234
www.cascorp.com

Cascade Canada Inc.
5570 Timberlea Blvd.
Mississauga, Ontario
Canada L4W-4M6
Tel: 905-629-7777
FAX: 905-629-7785

Cascade GmbH
D-41199 Monchengladbach
Klosterhofweg 52
Germany
Tel: 21-66-602091
FAX: 21-66-680947

Cascade Finland
01370 Vantas
Finland
Tel: 358-0-836-1925
FAX: 358-0-836-1935

**Cascade N.V.
European Headquarters**
P.O. Box 3009
1300 El Almere
Damsluisweg 56
1332 ED Almere
The Netherlands
Tel: 31-36-5492911
FAX: 31-36-5492964

**Cascade N.V.
Benelux Sales and Service**
P.O. Box 3009
1300 El Almere
Damsluisweg 56
1332 ED Almere
The Netherlands
Tel: 31-36-5492950
FAX: 31-36-5492974

Cascade (UK) Ltd.
15, Orgreave Crescent
Dore House Industrial Estate
Handsworth
Sheffield S13 9NQ
England
Tel: 742-697524
FAX: 742-695121

**Cascade Scandinavia
Hydraulik A.B.**
Muskötgatan 19, E8-9
S25466 Helsingborg
Sweden
Tel: 42-151135
FAX: 42-152997

Cascade Norway
Østerliveien 37A
1153 Oslo
Norway
Tel: 47-22-743160
FAX: 47-22-743157

Cascade France S.A.R.L.
11, Rue Jean Charcot
Zone Industrielle Sud or
B.P. 22
91421 Morangis Cedex
France
Tel: 1- 64547501
FAX: 1-9790584

Cascade Hispania S.A.
Avenida De La Fabregada, 7
Hospitalet De Llobregat
Barcelona
Spain
Tel: 3-335-5158
FAX: 3-335-4756

Cascade Japan Ltd.
5-5-41,
Torikai Kami
Settsu, Osaka
Japan, 566
Tel: 81-726-53-3490
FAX: 81-726-53-3497

Cascade Korea
Room 508, Pum Yang Bldg.
750-14, Bang Bac-Dong
Se-Cho Ku, Seoul
Korea
Tel: 2599-7131 ext. 512
FAX: 2533-8089

HYCO-Cascade Pty. Ltd.
1445 Ipswich Road
Rocklea,
Queensland 4107
Australia
Tel: 3-274-2722
FAX: 3-274-3456

HYCO-Cascade (NZ) Ltd.
15 Ra Ora Drive, East Tamaki
P.O. Box 38-440
Howick, Auckland
New Zealand
Tel: 9-273-9136
FAX: 9-273-9137

Cascade (Africa) Pty. Ltd.
P.O. Box 625, Isando 1600
60A Steel Road
Sparton, Kempton Park
South Africa
Tel: 975-9240
FAX: 394-1147

Cascade-Xiamen
Wanshan No. 1 Workshop
Huli Road
Xiamen 361006
Fujian, PRC
Tel: 592-562-4600
FAX: 592-562-4671

**Cascade (Singapore)
Trading Co.**
Four Seasons Park
Autumn Block - Apt. 1802
12 Cascaden Walk
Singapore
Tel: 65-834-1935
FAX: 65-834-1936

