
**Parts Manual
Ersatzteilliste
Manuel de pièces détachées**



35D Bale Clamp

35D Ballenklammern

35D Pincés à Balles

Introduction

How to use this manual

This manual illustrates service replacement parts for standard production Cascade clamps.

To locate a particular part refer to the Unit Identification Index (U.I.Index) directly preceding the parts list section of this manual.

Parts manuals for Cascade Application Engineering Department will have an AED designation followed by an AED number on the cover of the manual.

To locate a particular part in an AED manual turn to the page with the related group heading (i.e. Frame Group, Check Valve Group, etc.) If there is more than one parts list on the page, use the list indicated with a red arrow.

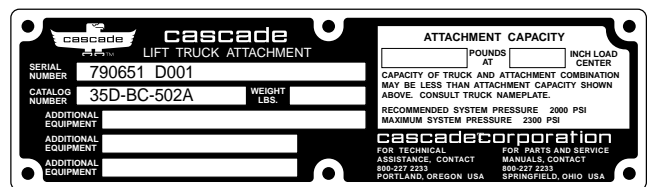
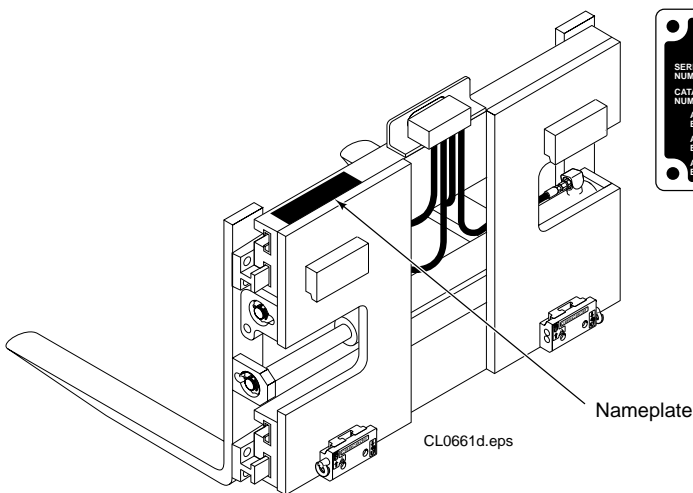
Quantities shown in both manuals are for one complete assembly unless otherwise indicated.

Important

Standard parts manuals are not interchangeable with AED manuals and will not reflect the special engineering of the AED products.

When ordering replacement parts, always give the attachment unit identification number, part number, description of part and quantity required.

For further information on parts, maintenance or ordering, consult your lift truck dealer.



Reading the Attachment Nameplate

Cascade's nameplate is riveted to the clamp frame. This plate shows clamp size and model, type, rated capacity, serial, unit identification and catalogue numbers.

The serial and unit identification numbers are stamped under the nameplate as well as on the nameplate itself.

Unit Identification Number

The Unit Identification (U.I.) Number indicates the specific combination of component parts used in each individual Clamp. Two units may have the same catalogue number yet may incorporate components of different design modifications. The U.I. Number Index gives the page number for required parts, and allows the person receiving parts order to double check in case of an error in ordering.

Parts Index

When using the parts list index, first locate the U.I. number on the attachment nameplate. List this number and refer to the index located in the of this manual. Locate your U.I. number in the first column. Columns to the right will refer you to the proper page number for a particular parts group.

We reserve the right to make changes in our design and add improvement without notice.

Introduction

How to use this manual

This manual illustrates service replacement parts for a Cascade Bale Clamp.

To locate a particular part in a manual turn to the page with the related group heading (i.e. Frame Group, Check Valve Group, etc.)

Quantities shown in both manuals are for one complete assembly unless otherwise indicated.

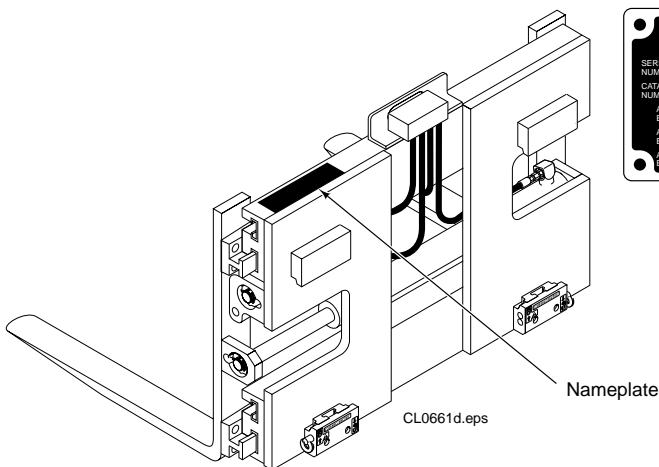
Reading the Attachment Nameplate

Cascade's nameplate is riveted to the clamp frame.

This plate shows clamp size and model, type, rated capacity, serial, unit identification and catalogue numbers.

The serial and unit identification numbers are stamped under the nameplate as well as on the nameplate itself.

We reserve the right to make changes in our design and add improvement without notice.



Benutzungshinweis

Benutzungshinweis

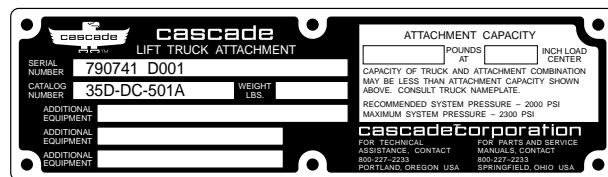
In diesem Handbuch sind alle Ersatzteile die zur Wartung und Instandsetzung der Cascade Ballenklammern benötigt werden, abgebildet, bezw. erläutert.

Die Bilder und Stücklisten enthalten Teilnummern, Bezeichnungen, benötigte Mengen, Schlüssel- und Fußnoten, die das Auffinden der richtigen Bauteile erleichtern. Die angegebenen Mengen gelten für einen kompletten Zusammenbau, sofern das nicht anderweitig angegeben ist.

Typenschild

Folgende Angaben sind auf dem Typenschild verzeichnet: Anbaugeräte Nummer, Anbaugeräte Bezeichnung, Seriennummer, Tragfähigkeit. Sollte das Typenschild entfernt oder beschädigt sein, kann die Seriennummer die noch zusätzlich unter dem Typenschild im Rahmen eingeschlagen ist, zur Erkennung des Gerätes dienen.

Im Interesse der Produktentwicklung unterliegt jede in diesem Handbuch gemachte Einzelangabe einer Abänderung ohne vorherige Mitteilung.



Introduction

Introduction

Ce manuel comprend les pièces de rechange des Pince à Balles Cascade.

Les quantités indiquées sont celles nécessaires pour un ensemble complet sauf mention contraire.

Lecture de la plaque d'identification

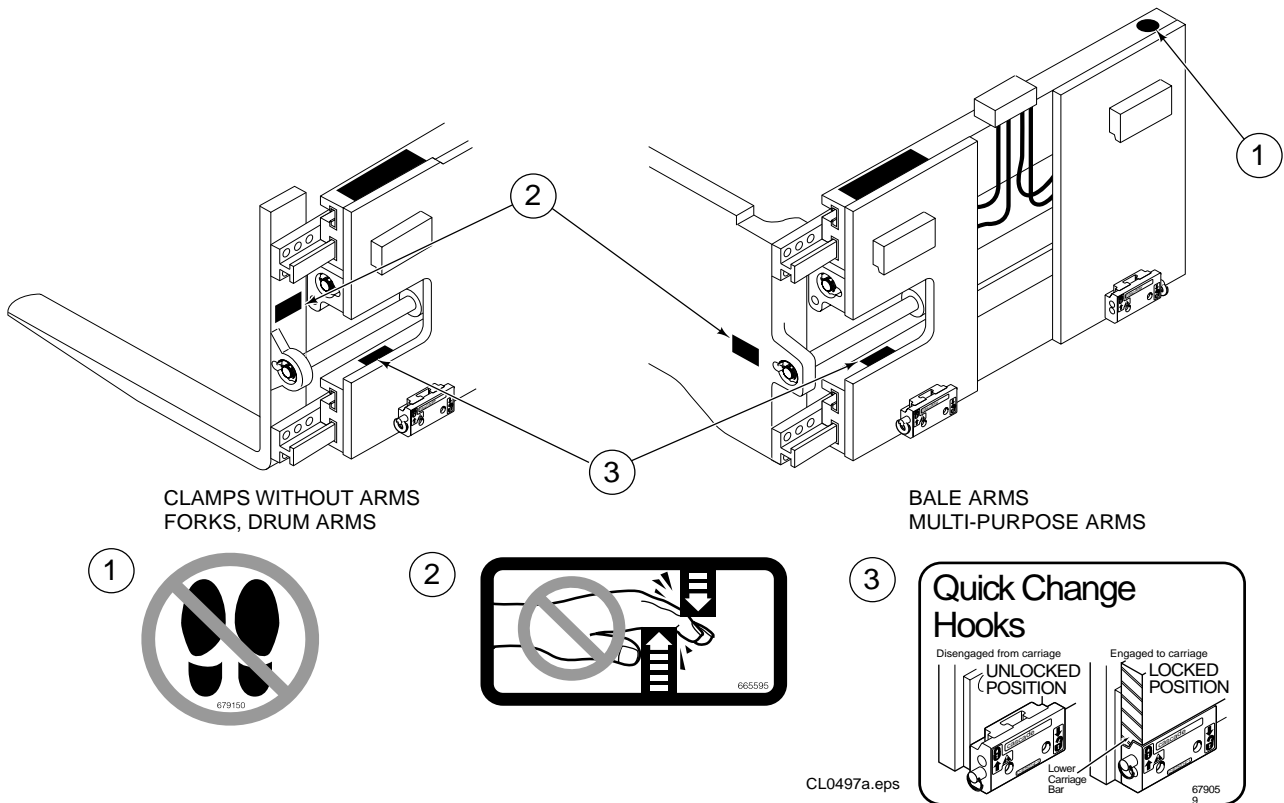
Une plaque CASCADE est rivetée ou coullée sur le chassis de la pince, les informations mentionnées sont: le taille et le modèle, le type, la capacité, le numéro de série, la références et le numéro du catalogue. Le numéro de série et la référence sont également gravés sous la plaque.

CASCADE se réserve le droit d'effectuer toutes modifications et améliorations sans notice.

Decals

Warnungsschild

Auto Collant



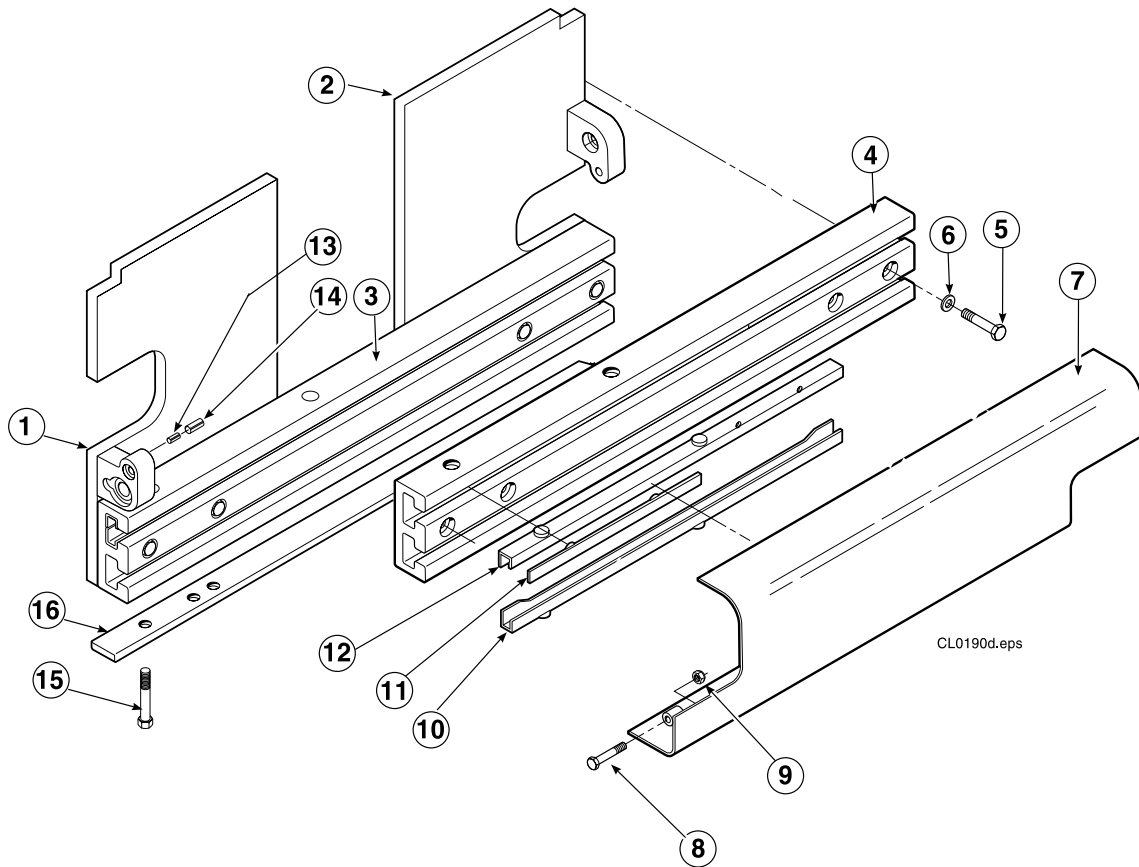
| Ref. | Qty. | Part No. | Description | Bezeichnung | Description |
|------|------|----------|-------------------------|----------------|--------------|
| 2 | 4 | 665595 | No hand hold decal | Warnungsschild | Auto-collant |
| 1 | 1 | 679150 | No step decal | Warnungsschild | Auto-collant |
| 3 | 1 | 679059 | Quick change hook decal | Warnungsschild | Auto-collant |

Frame and Mounting Group

Rahmen und Aufhängungsgruppe

Groupe Bâti et Accrochage

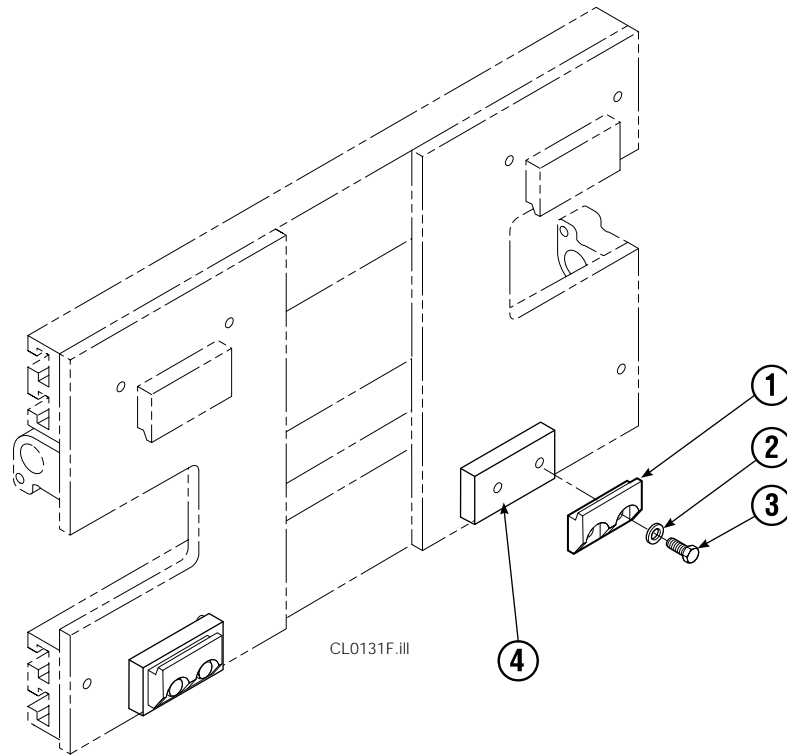
LC-1006338



| Ref | Qty | Part No. | Description | Bezeichnung | Description |
|-----|-----|----------|---------------------|----------------------|-------------------------|
| 1 | 1 | 1006339 | Mounting plate LH | Aufhängungsplatte L | Plaque d'accrochage G |
| 2 | 1 | 1006341 | Mounting plate RH | Aufhängungsplatte R | Plaque d'accrochage D |
| 3 | 1 | 772290 | Guide profile upper | Führungsträger oben | Profilé guide supérieur |
| 4 | 1 | 780282 | Guide profile lower | Führungsträger unten | Profilé guide inférieur |
| 5 | 8 | 772300 | Capscrew, M12x75 | Kopfschraube, M12x75 | Vis à tête, M12x75 |
| 6 | 8 | 772313 | Washer | Unterlegscheibe | Rondelle |
| 7 | 1 | 773812 | Bumper | Schutzschild | Plaque protectrice |
| 8 | 2 | 768414 | Capscrew, M12x65 | Kopfschraube, M12x65 | Vis à tête, M12x65 |
| 9 | 2 | 773842 | Nut | Mutter | Ecrou |
| 10 | 4 | 667910 | Bearing | Gleitschiene | Glissière |
| 11 | 4 | 667663 | Bearing | Gleitschiene | Glissière |
| 12 | 4 | 667911 | Bearing | Gleitschiene | Glissière |
| 13 | 2 | 7861 | Roll pin | Spannhülse | Goupille roulée |
| 14 | 2 | 7962 | Roll pin | Spannhülse | Goupille roulée |
| 15 | 6 | 763024 | Capscrew, M16x30 | Kopfschraube, M16x30 | Vis à tête, M16x30 |
| 16 | 1 | 1010272 | Wearstrip | Lasche | Patin |

Lower Hook Group Bolt-On
Aufhängungsgruppe
Groupe Accrochage

LC-1006336



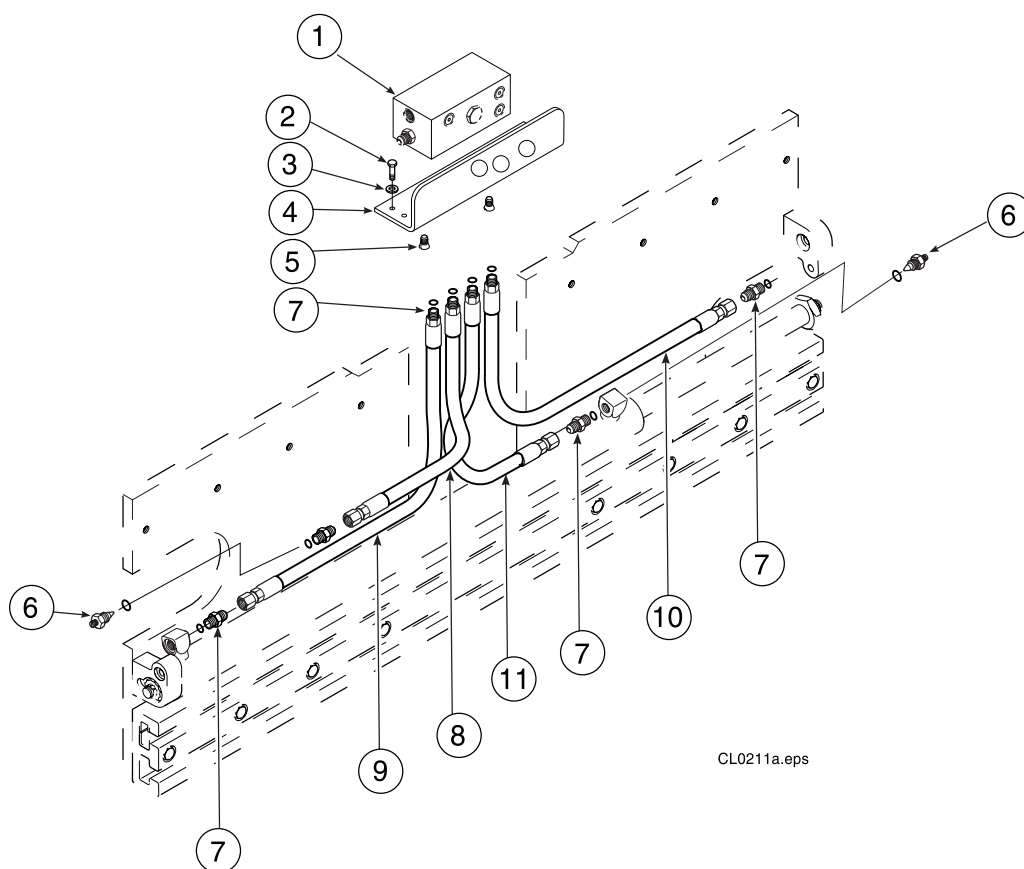
| Ref | Qty | Part No. | Description | Bezeichnung | Description |
|-----|-----|----------|------------------|-------------------|-------------------|
| | | 1006336 | Lower Hook Group | Aufhängungsgruppe | Groupe Accrochage |
| 1 | 2 | 675969 | Hook | Haken | Crochet |
| 2 | 4 | 667225 | Lockwasher | Unterlegscheibe | Rondelle |
| 3 | 4 | 766154 | Capscrew | Kopfschraube | Vis à tête |
| 4 | 2 | 1006337 | Spacer | Distanzstueck | Entretoise |

Check Valve Group

Sperrventilgruppe

Ensemble valve de controle

L-772329



CL0211a.eps

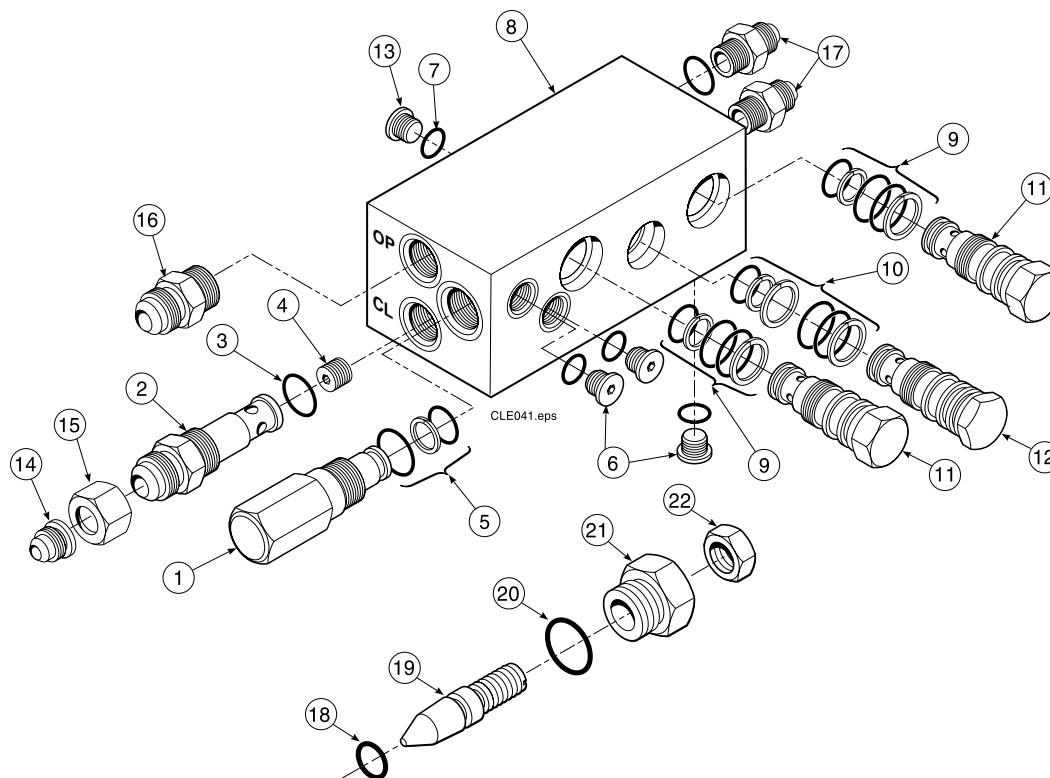
| Ref | Qty | Part No. | Description | Bezeichnung | Description |
|-----|-----|----------|-----------------|---------------------|---------------------|
| 1 | 1 | 667475 | Valve assembly | Ventil Zusammenbau | Ensemble de clapets |
| 2 | 4 | 770679 | Capscrew | Kopfschraube | Vis à tête |
| 3 | 4 | 6258 | Lockwasher | Unterlegscheibe | Rondelle |
| 4 | 1 | 667682 | Valve bracket | Ventil-Aufbauplatte | Support |
| 5 | 2 | 770671 | Screw | Schraube | Vis |
| 6 | 2 | 667609 | Restrictor | Drossel | Limiteur de débit |
| 7 | 8 | 774501 | Adapter fitting | Verschraubung | Raccord |
| 8 | 1 | 774006 | Tube | Rohr | Tuyau |
| 9 | 1 | 774007 | Tube | Rohr | Tuyau |
| 10 | 1 | 774177 | Tube | Rohr | Tuyau |
| 11 | 1 | 774178 | Tube | Rohr | Tuyau |

Check Valve, side shifting clamps

Sperrventil, Klammern mit Seitenschub

Valve de controle, pinces à déplacement latéral

L-667475



| Ref | Qty | Part No. | Description | Bezeichnung | Description |
|-----|-----|----------|------------------------|------------------------|--------------------------------|
| 1 | 1 | 667078 | Relief valve | Druckbegrenzungsventil | Valve de décharge |
| 2 | 1 | 667470 | Fitting-special | Spezialverschraubung | Raccord spécial |
| 3 | 1 | ▲ 2841 | O-Ring | O-Ring | Joint torique |
| 4 | 1 | 667471 | Spool | Spule | Tiroir |
| 5 | 1 | ▲ 667510 | Seal kit-relief valve | Dichsatz | Kit de service |
| 6 | 3 | 609455 | O-Ring plug | O-Ring Stopfen | Bouchon à joint torique |
| 7 | 4 | ▲ 2839 | O-Ring | O-Ring | Joint torique |
| 8 | 1 | 667476 | Valve body | Ventilgehäuse | Corps de clapets |
| 9 | 2 | ▲ 667516 | Seal kit-check valve | Dichsatz | Kit de service |
| 10 | 1 | ▲ 661347 | Seal kit-check valve | Dichsatz | Kit de service |
| 11 | 2 | 659058 | P.O. Check valve SS | Rückschlagventil Seit. | Valve anti-retour depl.lateral |
| 12 | 1 | 678270 | V.P.O. Check valve Cl. | Rückschlagventil Klam. | Valve anti-retour serrage |
| 13 | 1 | 604510 | O-Ring plug JIC 6 | O-Ring Stopfen JIC 6 | Bouchon à joint torique JIC6 |
| 14 | 1 | 2671 | Fitting | Verschraubung | Raccord |
| 15 | 1 | 2618 | Fitting | Verschraubung | Raccord |
| 16 | 1 | 611288 | Fitting | Verschraubung | Raccord |
| 17 | 2 | 604511 | Fitting | Verschraubung | Raccord |
| 18 | 1 | 2701 | O-Ring | O-Ring | Joint torique |
| 19 | 1 | 667611 | Plunger-threaded | Gewindestift | Plangeur-fileté |
| 20 | 1 | 2841 | O-Ring | O-Ring | Joint torique |
| 21 | 1 | 667610 | Restrictor body | Drosselgehäuse | Corps du limiteur de debit |
| 22 | 1 | 5716 | Jam nut | Kontermutter | Ecrou de verrouillage |

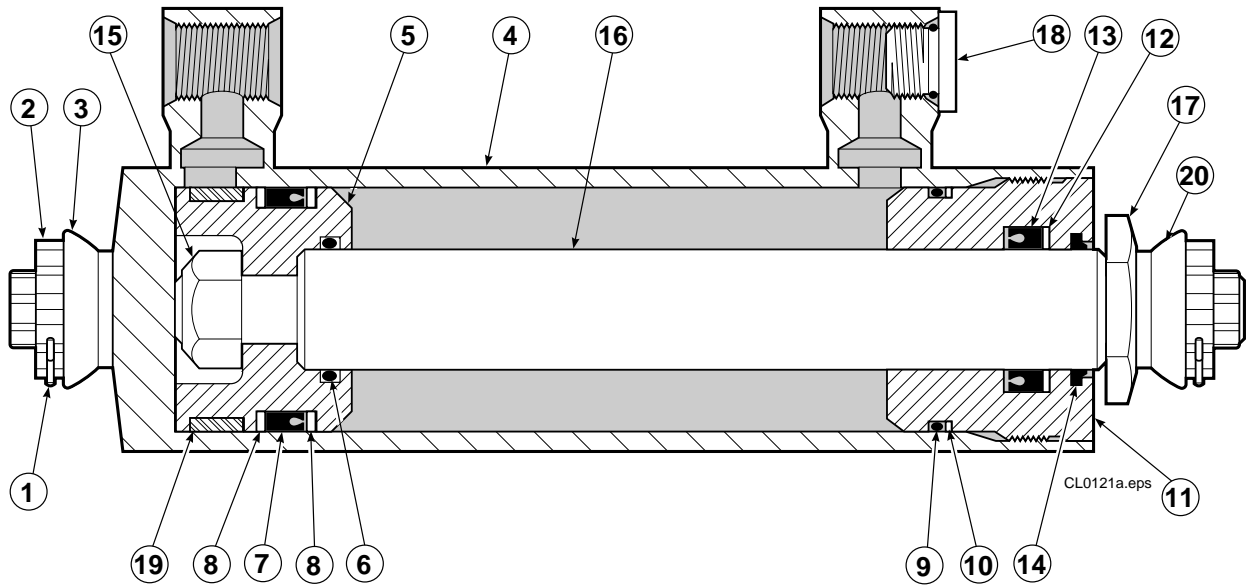
▲ Included in service kit 667512. Note that plugs and cartridge valves are supplied complete with O-rings and back-up rings.

▲ Enthalten im Satz 667512. Achten Sie darauf, Stopfen und Kartuscheventile komplett mit O-Ringe und Stuzringe geliefert werden.

▲ Inclus dans le kit de service 667512. Il est à noter que les bouchons et valves sont livrées avec tous les joints déjà installés.

Cylinder Group
Cylinder Gruppe
Groupe Vérin

LC-772376

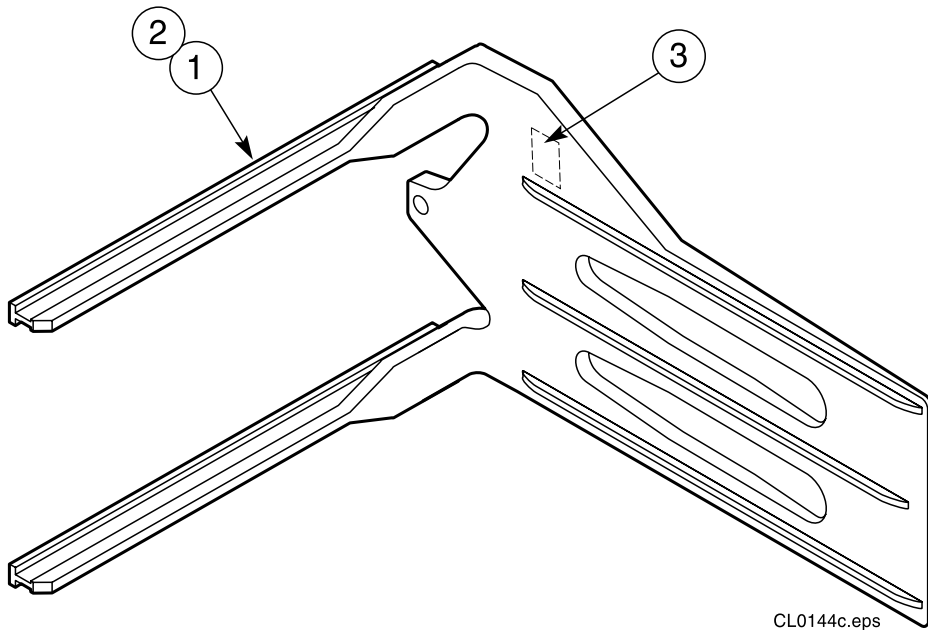


| Ref | Qty | Part No. | Description | Bezeichnung | Description |
|-----|-----|-----------|--------------|-----------------|----------------------------|
| 1 | 2 | ○● 6510 | Cotter pin | Splint | Goupille fendue |
| 2 | 2 | ○● 667624 | Locking cap | Sicherungskappe | Dispositif de verrouillage |
| 3 | 2 | ● 674446 | Nut | Mutter | Ecrou |
| 4 | 1 | 414339 | Shell | Zylinderrohr | Corps de vérin |
| 5 | 1 | 558400 | Piston | Kolben | Piston |
| 6 | 1 | ▲ 2716 | O-Ring | O-Ring | Joint torique |
| 7 | 1 | ▲ 557477 | Seal | Dichtung | Joint |
| 8 | 2 | ▲ 638249 | Back-up ring | Stutzing | Joint de protection |
| 9 | 1 | ▲ 2787 | O-Ring | O-Ring | Joint torique |
| 10 | 1 | ▲ 615130 | Back-up ring | Stutzing | Joint de protection |
| 11 | 1 | 667917 | Retainer | Zylinderdeckel | Bague de retenue |
| 12 | 1 | ▲ 638243 | Back-up ring | Stutzing | Joint de protection |
| 13 | 1 | ▲ 662448 | Seal | Dichtung | Joint |
| 14 | 1 | ▲ 636853 | Wiper | Abstreifer | Racleur |
| 15 | 1 | 668031 | Nut | Mutter | Ecrou |
| 16 | 1 | 414342 | Rod | Kolbenstange | Tige de vérin |
| 17 | 1 | 667626 | Washer | Unterlegscheibe | Rondelle |
| 18 | 1 | 602580 | O-Ring plug | O-Ring Stopfen | Bouchon à joint torique |
| 19 | 1 | ▲ 660761 | Bearing | Lager Ring | Roulement |
| 20 | 1 | ○ 667625 | Nut | Mutter | Ecrou |

- ▲ Included in service kit 667995 / Enthalten im Dichtsatz 667995 / Inclus dans le kit de service 667995
- Included in service kit 780494 / Enthalten im Dichtsatz 780494 / Inclus dans le kit de service 780494
- Included in service kit 668926 / Enthalten im Dichtsatz 668926 / Inclus dans le kit de service 668926

Arm group for pulp bale clamps
Armgruppe für Zelluloseballenklammern
Groupe bras pour pinces à balles de cellulose

1012839
1012840



| Frame width (mm) Rahmen Breite Largeur groupe bâti | Bale arm LH Ballenarm L Bras à balles G Ref.no. 1 | Bale arm RH Ballenarm R Bras à balles D Ref.no. 2 | Dimension (mm) L x B |
|--|--|--|-------------------------|
| 1050 | 1012839 | 1012840 | 1300 x 400 |

Common component / Einfache Komponente / Pièces commune

| Ref. | Qty. | Part No. | Description | Bezeichnung | Description |
|------|------|----------|---------------|----------------|--------------|
| 3 | 2 | 665595 | Warning decal | Warnungsschild | Auto collant |