



# Parts Manual

---

Model Single-Double Pallet Handler

Catalog Number 28G-FDS-B009 R5

---

**cascade**®  
**corporation**

**For Technical Assistance call:** 800-227-2233, Fax: 888-329-8207

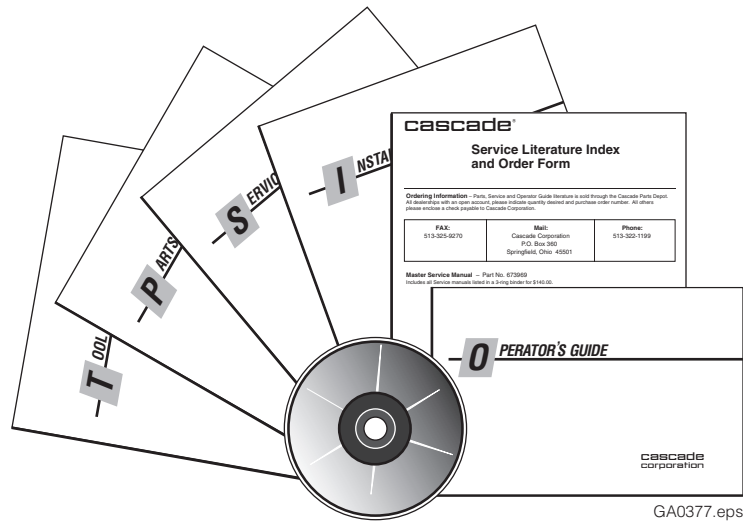
**To Order Parts call:** 888-227-2233, Fax: 888-329-0234

**OR**

**Write:** Cascade Corporation, P.O. Box 20187, Portland, OR 97220

**Internet:** [www.cascorp.com](http://www.cascorp.com)

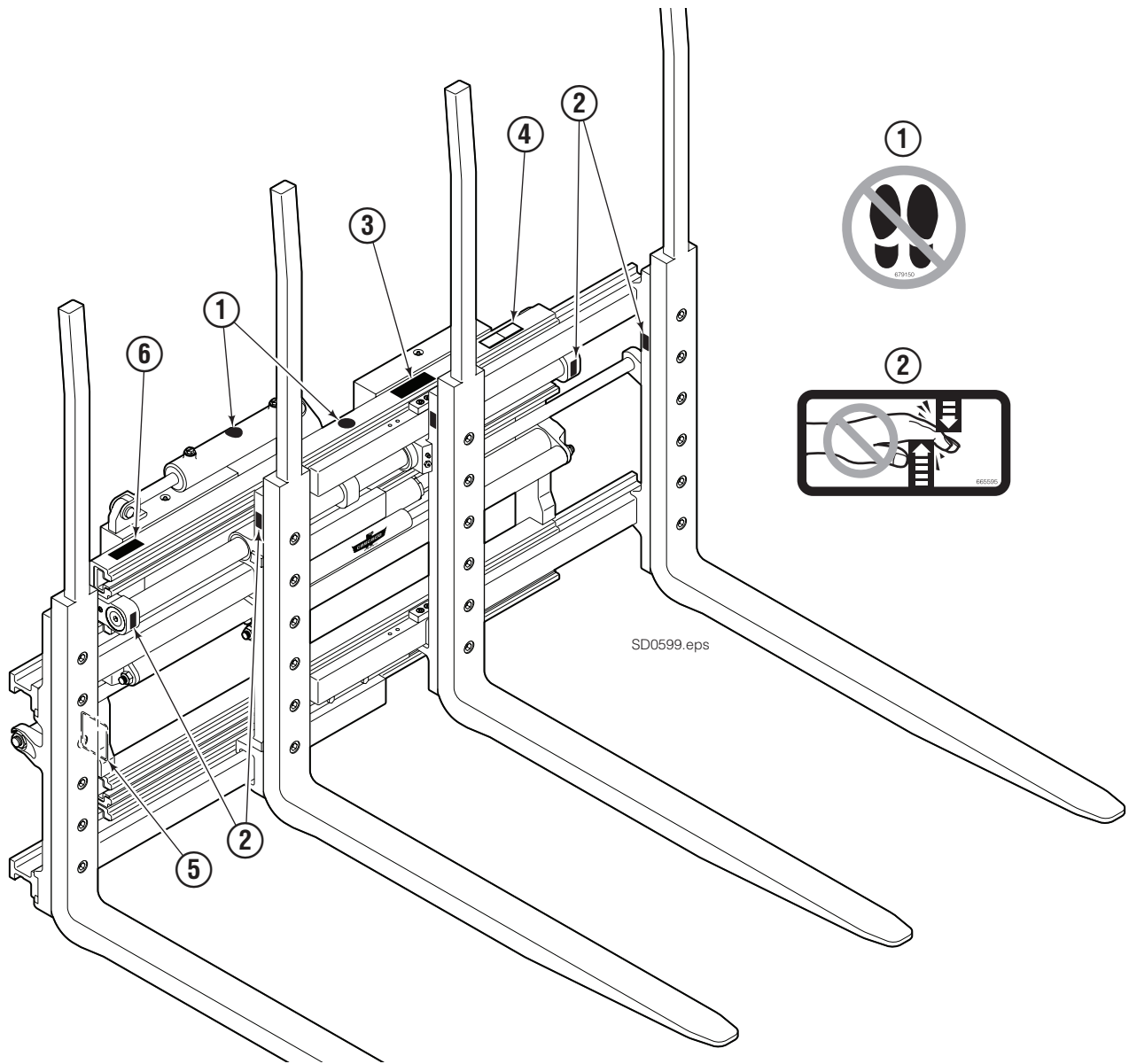
# Publications



GA0377.eps

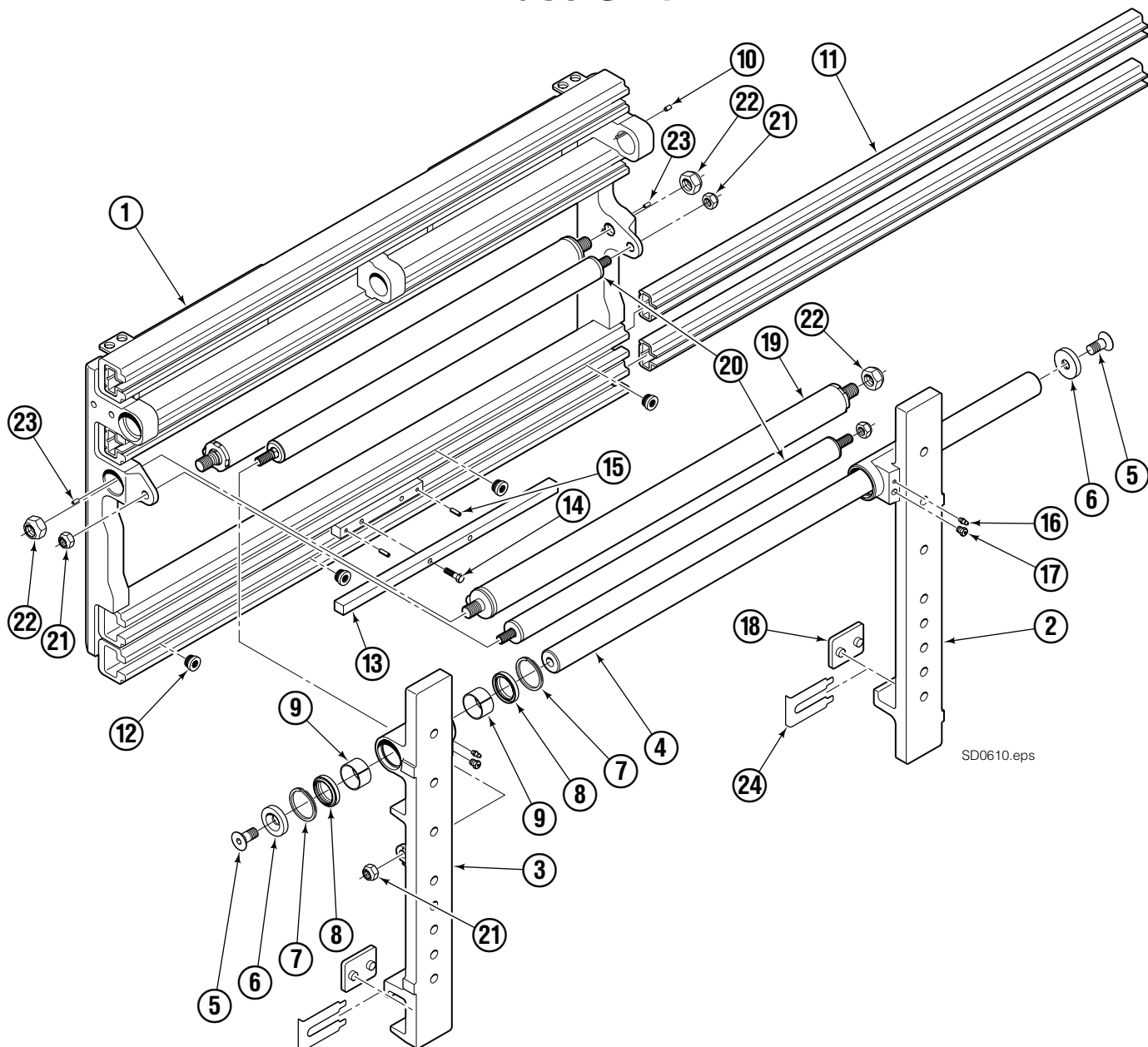
<b>G Single-Double</b>	
6070971	Installation Instructions
6130934	Operator Guide
6072517	Service Manual
6036696	Driver Training Video – CD
679929	Tool Catalog
673964	Literature Index Order Form

# Safety Decals



G Single-Double			
REF	QTY	PART NO.	DESCRIPTION
1	2	679150	No Step Decal
2	8	665595	No Hand Hold Decal
3	1	6229149	Nameplate
4	1	6229145	Nameplate – Single Capacity
5	1	655268	Patent Plate
6	1	6071983	Close Forks Decal

# Base Unit



## 28G

REF	QTY	PART NO.	DESCRIPTION	REF	QTY	PART NO.	DESCRIPTION
		6076927	Base Unit (R0)	12	8	6028433	Bearing Retainer Plug
		6076913	Frame Assembly ◆	13	1	6137909	Fork Stop
1	1	6146737	Frame	14	2	765352	Capscrew, M8 x 30
2	1	6071859	Inner Fork Carrier – LH	15	2	767811	Roll Pin
3	1	6071858	Inner Fork Carrier – RH	16	2	424115	Lube Fitting
4	1	6066540	Bar	17	2	6069835	Relief Fitting
5	2	388348	Capscrew, M16 x 35	18	2	6069530	Bearing
6	2	6069483	Upper Pin Retainer	19	2	6076917	Cylinder ●
7	4	6070661	Retaining Ring	20	2	6076925	Spring Cylinder
8	4	6066832	Seal	21	4	6066555	Nut, M14
9	4	6066556	Bushing	22	4	783800	Nut, M20
10	1	209776	Dowel Pin	23	2	768992	Roll Pin
11	4	6068179	Arm Bearing	24	1	6088014	Shim Kit ■

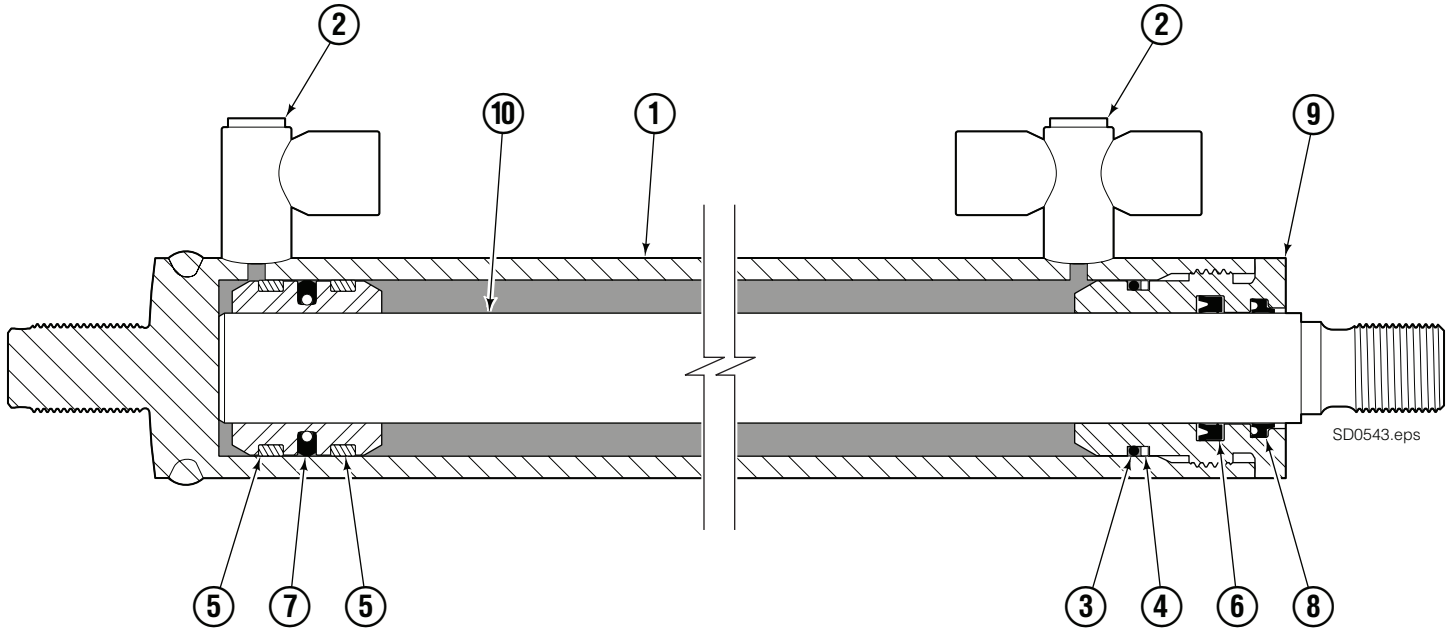
◆ Includes items 1–17.

● See Cylinder page for parts breakdown.

■ If required for Fork tip alignment. Not included in Base Unit.

Reference: Fastener Kit 6067507, SK-10050, SK-10051, S-23042.

# Cylinder

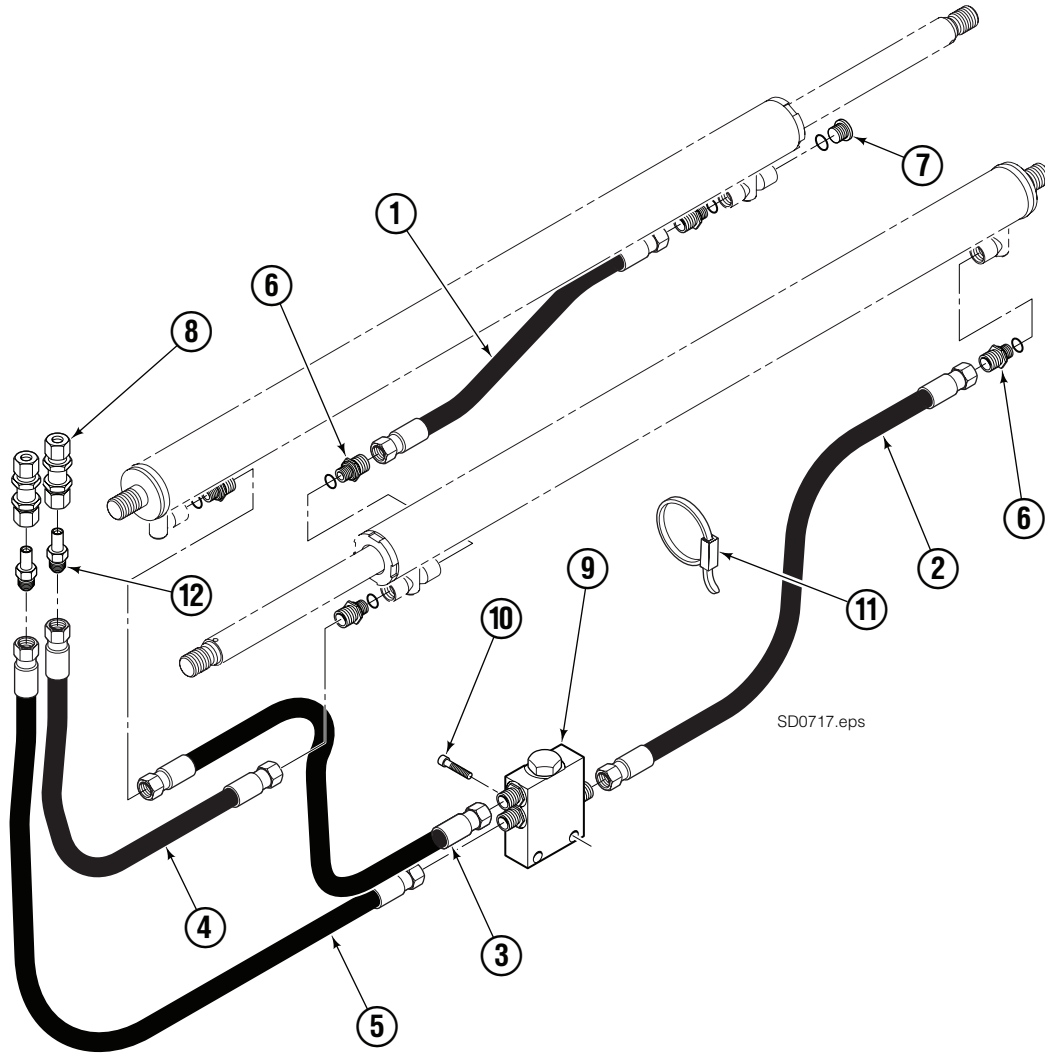


28G			
REF	QTY	PART NO.	DESCRIPTION
		6076917	Cylinder
1	1	6138140	Shell
2	2	663694	Plug, 3
3	1	6066334	O-Ring ◆
4	1	6066370	Backup Ring ◆
5	2	6066318	Piston Ring ◆
6	1	6066303	Rod Seal ◆
7	1	6066320	Piston Seal ◆
8	1	6066280	Rod Wiper ◆
9	1	6065874	Retainer
10	1	6076916	Piston/Rod Assembly
		6068008	Service Kit

◆ Included in Service Kit 6068008.

Reference: S-22885.

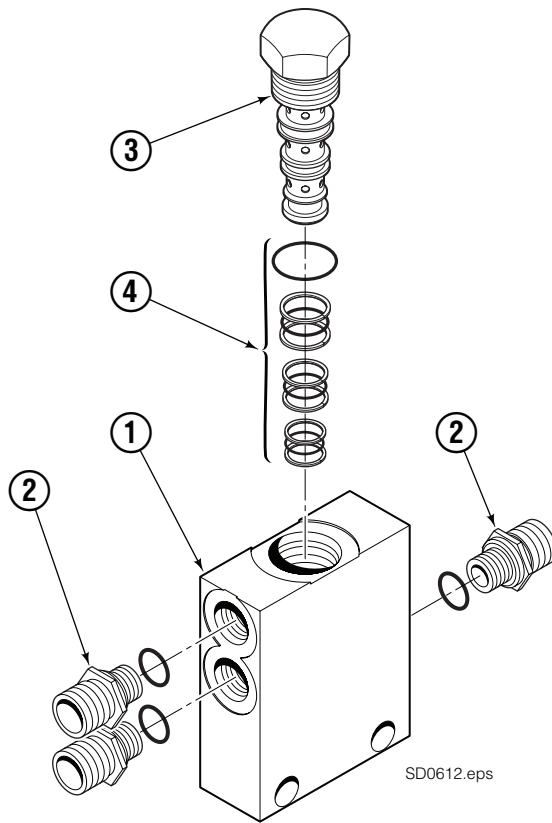
# Hydraulic Group



28G			
REF	QTY	PART NO.	DESCRIPTION
		6138149	Hydraulic Group
1	1	6138042	Hose, 425 mm
2	1	6138170	Hose, 575 mm
3	1	6137924	Hose, 610 mm
4	1	6076995	Hose, 455 mm
5	1	6076989	Hose, 890 mm
6	5	778100	Fitting, 6 SAE – M10 L Series
7	1	604510	Plug, 6
8	2	6072245	Fitting
9	1	6072308	Valve Assembly ♦
10	2	768787	Capscrew, M6 x 30
11	4	200008	Cable Tie
12	2	6076514	Adapter Fitting

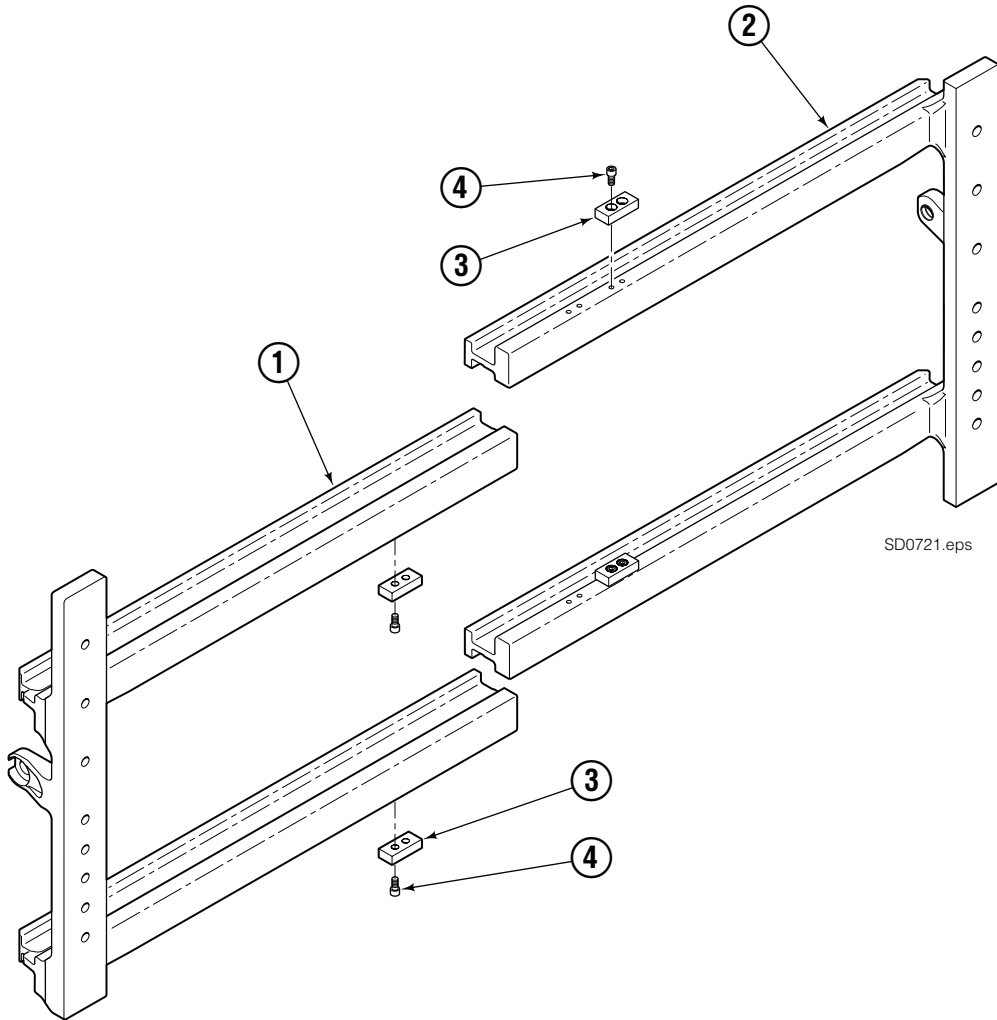
♦ See Valve page for parts breakdown.  
Reference: S-23086, Fitting Group 6076518.

# Valve Assembly



28G			
REF	QTY	PART NO.	DESCRIPTION
		6072308	Valve Assembly
1	1	6072310	Valve Body
2	3	752555	Fitting, 6 SAE – M10 L-Series
3	1	210266	Flow Divider/Combiner
4	1	6071170	Seal Kit

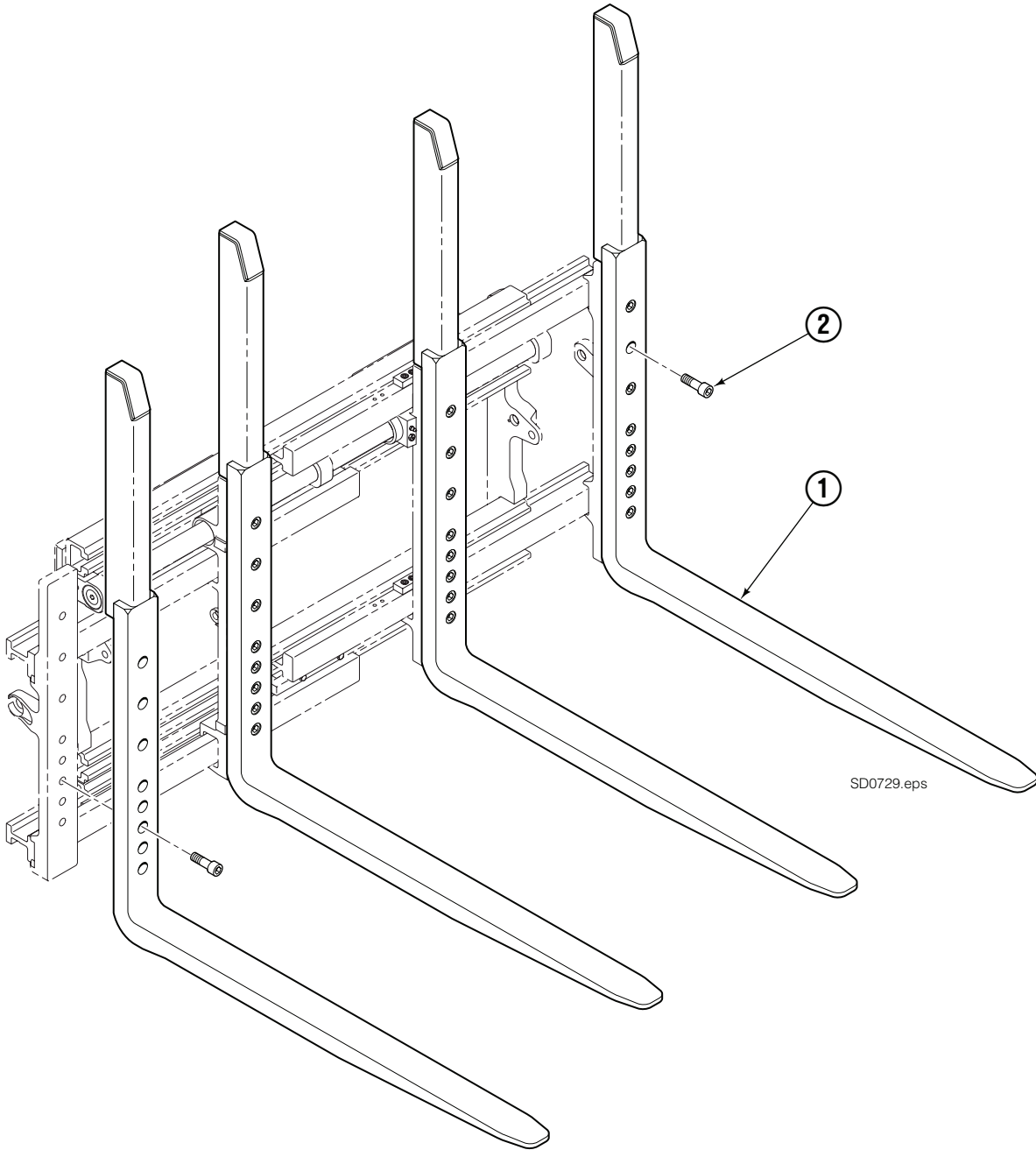
# Fork Carrier Group



28G			
REF	QTY	PART NO.	DESCRIPTION
		6076905	Fork Carrier Group
1	1	6081990	Fork Carrier, RH
2	1	6082089	Fork Carrier, LH
3	4	6066470	Fork Stop
4	8	219596	Capscrew, M8 x 16

Reference: Fastener Kit 6067507, SK-9720, S-23332, S-23334.

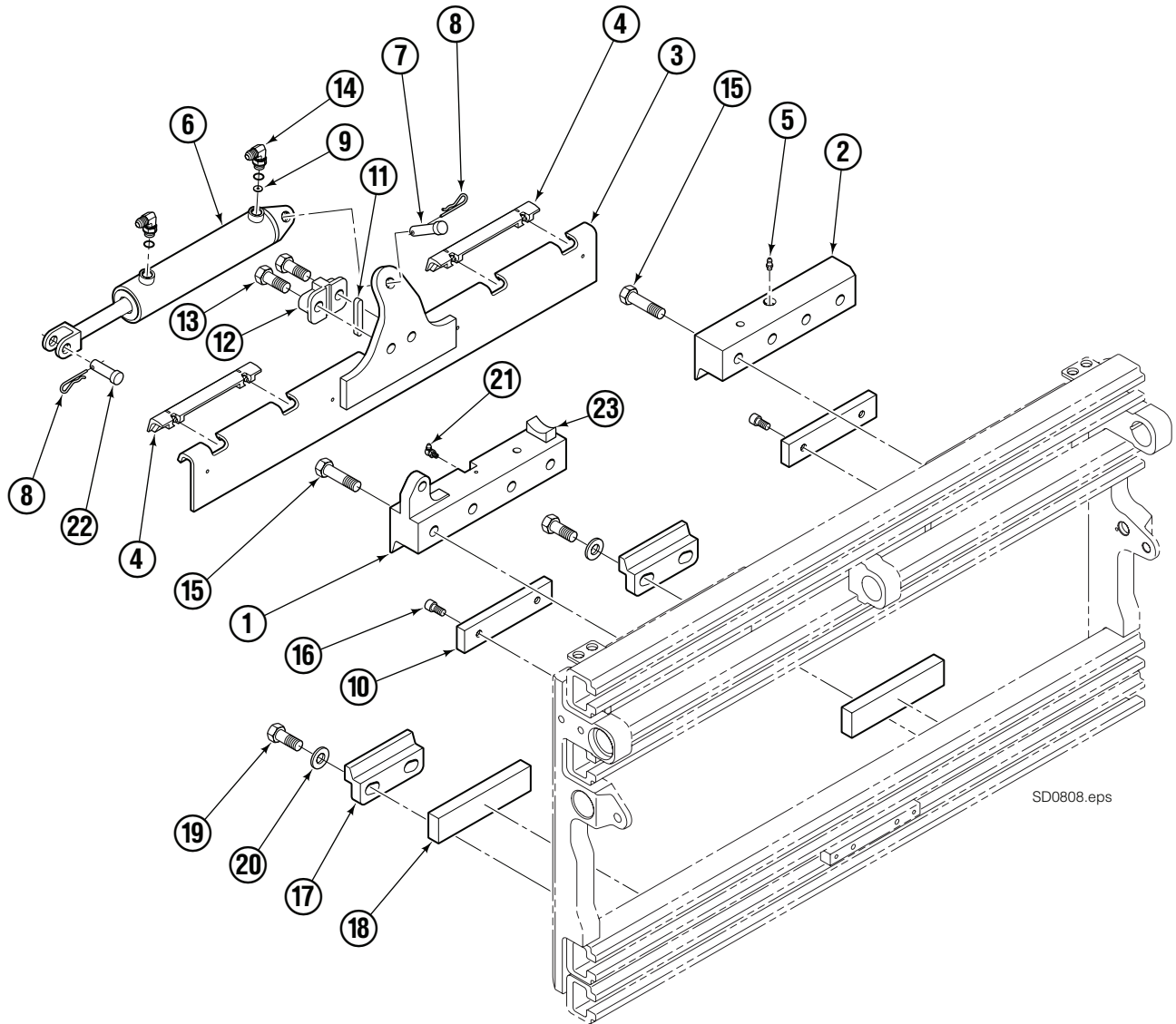
# Forks



28G			
REF	QTY	PART NO.	DESCRIPTION
1	4	6076763	Fork
2	32	221305	Capscrew, M16 x 55

Reference: Fastener Kit 6072131, SK-9261, S-23198.

# Sideshift Mounting Group



## Class III

REF	QTY	PART NO.	DESCRIPTION	REF	QTY	PART NO.	DESCRIPTION
		6071790	Sideshift Group (R11) ▲	12	1	6131029	◆ Key
		6071855	Lower Hook Group (R4) ▼	13	2	219529	◆ Capscrew, M16 x 40
1	1	6081063	Upper Mounting Hook, RH	14	2	601676	Fitting, 6-6
2	1	6081143	Upper Mounting Hook, LH	15	8	6040801	Capscrew, M16 x 60
3	1	6081563	Anchor Bracket	16	4	768809	Capscrew, M10 x 16
4	2	6127049	Upper Bearing	17	2	6066574	Lower Hook
5	1	7403	Grease Fitting	18	2	6070833	Lower Bearing
6	1	6133721	Sideshift Cylinder ●	19	4	214991	Capscrew, M16 x 45
7	1	678525	Clevis Pin	20	4	667225	Washer
8	2	672726	Cotter Pin	21	1	6082821	Grease Fitting
9	1	675550	Restrictor Washer	22	1	671176	Clevis Pin
10	2	6066570	Spacer	23	1	6085425	Cylinder Support Pad
11	1	209542	◆ Key				

▲ Includes items 1-13 & 21-23.

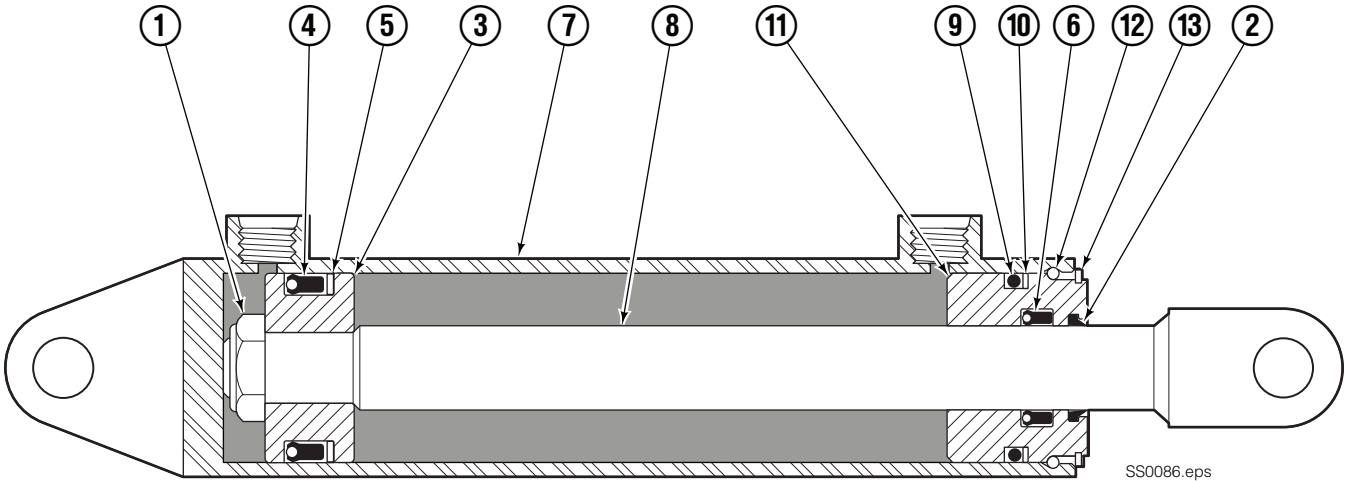
▼ Includes items 17-20.

● See Sideshift Cylinder page for parts breakdown.

◆ Included with Anchor Bracket 6081563.

Reference: Fitting Group 6076518, Fastener Kit 6067507.

# Sideshift Cylinder



SS0086.eps

REF	QTY	PART NO.	DESCRIPTION
		6133721	Cylinder Assembly
1	1	553857	Nut
2	1	636852	■ Wiper
3	1	6133813	Piston
4	1	662455	■ Seal
5	1	6133816	■ Back-up Ring
6	1	662447	■ Seal
7	1	6133723	Shell
8	1	6133722	Rod
9	1	2788	■ O-Ring
10	1	615131	■ Back-up Ring
11	1	6133727	Retainer
12	1	6133868	Retaining Ring
13	1	6133888	Retaining Ring
		6137076	Service Kit

■ Included in Service Kit 6137076.



# Recommended Spare Parts List

Multi-Pallet Handler — 28G-FDS-B009 R5				
PART NUMBER	DESCRIPTION	QTY OF UNITS SERVICED		
		1-5	6-15	16-50
	<b>BASE UNIT</b>			
● 6028433	Outer Arm Bearing	4	8	8
6066556	Bearing Retainer Plugs	4	8	8
6070661	Bearing – Inner Fork Carrier	4	8	8
6066832	Retaining Ring – Inner Fork Carrier	4	8	8
6069530	Seal – Inner Fork Carrier	4	8	8
	Pad – Inner Fork Carrier	2	4	4
	<b>FORKS</b>			
6072131	Fastener Kit – 32 Capscrews	1	2	2
	<b>CYLINDER</b>			
● 6065874	Cylinder	0	0	1
● 6068008	Rod	0	1	2
	Retainer	0	1	2
	Cylinder Service Kit	2	4	4
	<b>HYDRAULICS</b>			
6072308	Valve Assembly	0	0	1
210266	Flow Divider Cartridge	1	1	2
6071170	Flow Divider Cartridge Service Kit	1	2	2
	<b>SIDESHIFT CYLINDER</b>			
6133721	Cylinder	0	0	1
6133722	Rod	0	1	2
6133727	Retainer	0	1	2
6137076	Cylinder Service Kit	1	2	2
	<b>MOUNTING GROUP</b>			
6127049	Upper Sideshift Bearing	2	4	6
6070833	Lower Sideshift Bearing	2	4	6
6066574	Lower Hook	2	4	6
	<b>PAINT</b>			
212988	12 oz. Aerosol Can - Light Gray	1	2	2
	<b>PUBLICATIONS</b>			
673900	Parts Manual	1	1	1
6072517	Service Manual	1	1	1
6070971	Installation Instructions	1	1	1
6130934	Operator's Guide	1	1	1
679929	Tool Catalog	1	1	1
673964	Literature Index Order Form	1	1	1

● Variable length parts, see parts page for specific part number.

**Do you have questions you need answered right now?** Call your nearest Cascade Parts Department. Visit us online at [www.cascorp.com](http://www.cascorp.com)

**Cascade Corporation  
U.S. Headquarters**  
2201 NE 201st  
Fairview, OR 97024-9718  
Tel: 800-CASCADE (227-2233)  
FAX: 888-329-8207

**Cascade Canada Inc.**  
5570 Timberlea Blvd.  
Mississauga, Ontario  
Canada L4W-4M6  
Tel: 905-629-7777  
FAX: 905-629-7785

**Cascade GmbH**  
Niederwippekühl 1  
58579 Schalksmühle  
Germany  
Tel: 02355-50900  
FAX: 02355-509020

**Cascade Finland**  
A. Petreliuksenkatu 3  
01370 Vantaa  
Finland  
Tel: 09-8361925  
FAX: 09-8361935

**Cascade N.V.  
Benelux Sales and Service**  
Damsluisweg 56  
PO Box 3009  
1300 El Almere  
The Netherlands  
Tel: 036-5492950  
FAX: 036-5492974

**Cascade Kenhar Ltd.**  
3 Kelbrook Road  
Parkhouse Ind. Estate  
Openshaw,  
Manchester M11 2DD  
England  
Tel: 0800-243015  
FAX: 0161-4384055

**Sales Scotland  
Macade Systems Ltd.**  
18 Melford Road  
Righead Ind. Estate  
Bellshill ML4 3LR  
Scotland  
Tel: 01698-845777  
FAX: 01698-845888

**Cascade (Africa) Pty. Ltd.**  
PO Box 625, Isando 1600  
60A Steel Road  
Sparton, Kempton Park  
South Africa  
Tel: 27-11-975-9240  
FAX: 27-11-394-1147

**Cascade Scandinavia AB**  
Hammarvägen 10  
PO Box 124  
S-56723 Vaggeryd  
Sweden  
Tel: 039-336950  
FAX: 039-336959

**Cascade France  
S.A.R.L. MHP**  
1D Rue De Charaintru BP 18,  
91360 Epinay-Sur-Orge  
France  
Tel: 01-6454-7500  
FAX: 01-6454-7501

**Cascade Hispania S.A.**  
Carrer 5, Sector C  
Zona Franca Duanera  
Poligono de la Zona Franca  
08040 Barcelona, Spain  
Tel: 93-264-07-30  
FAX: 93-264-07-31

**Cascade Italia S.R.L.**  
Via Dell'Artigianato 1  
37050 Vago di Lavagno (VR)  
Italy  
Tel: 39-045-8989111  
FAX: 39-045-8989160

**Movimenta Lda.**  
Parque Industrial  
Vale do Alecrim, Lote 108  
2950-403 Palmela  
Portugal  
Tel: 351-212387340  
FAX: 351-212387349

**Sales Switzerland  
Fahrzeugbedarf**  
8810, Horgen  
Switzerland  
Tel: 01-7279797  
FAX: 01-7279798

**Sales Poland**  
Targowa 35/61  
03-728 Warszawa  
Tel: 022-619 00 49  
FAX: 022-619 00 49  
Mobile Tel: 0501-27 29 55

**Sales Russia**  
EMCG Material Handling  
Equipment  
Moscow  
Tel: 095-795-2400  
FAX: 095-795-2475  
Email: [emcg@emcg.ru](mailto:emcg@emcg.ru)

**Cascade Japan Ltd.**  
2-23, 2-Chome,  
Kukuchi Nishimachi  
Amagasaki, Hyogo  
Japan, 661-0978  
Tel: 81-726-53-3490  
FAX: 81-726-53-3497

**Cascade Korea**  
121B 9L Namdong Ind.  
Complex, 691-8 Gojan-Dong  
Namdong-Ku  
Inchon, 405-310 Korea  
Tel: 82-32-821-2051  
FAX: 82-32-821-2055

**Cascade Australia**  
1445 Ipswich Road  
Rocklea, QLD 4107  
Australia  
Tel: 1-800-227-223  
FAX: 617-3373-7333

**Cascade New Zealand**  
15 Ra Ora Drive  
East Tamaki, Auckland  
New Zealand  
Tel: 64-9-273-9136  
FAX: 64-9-273-9137

**Cascade-Xiamen**  
No. 668 Yangguang Rd.  
Xinyang Industrial Zone  
Haicang, Xiamen City  
Fujian Province  
P.R. China 361026  
Tel: 86-592-651-2500  
FAX: 86-592-651-2571

**Sunstream Industries  
Pte Ltd.**  
No. 3 Tuas Link 1  
2263  
Singapore  
Tel: 65-6863-3488  
FAX: 65-6863-1368

**Cascade do Brasil  
LTDA**  
Rua João Guerra, 134  
Macuco, Santos - SP  
Brasil 11015-130  
Tel: 55-13-2105-8800  
Fax: 55-13-2105-8899

