



Parts Manual

Model 30A Layer Picker

Serial Number SELP-41863 R2

cascade®
corporation

For Technical Assistance call: 800-227-2233, Fax: 888-329-8207

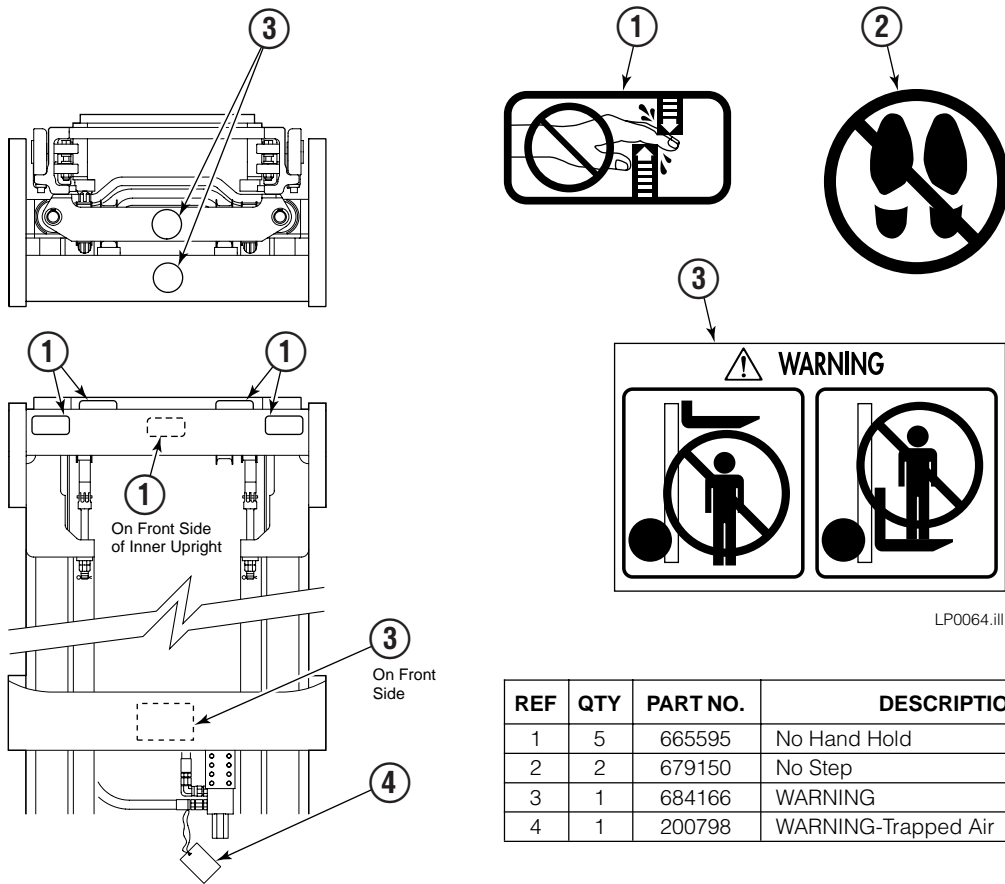
To Order Parts call: 888-227-2233, Fax: 888-329-0234

OR

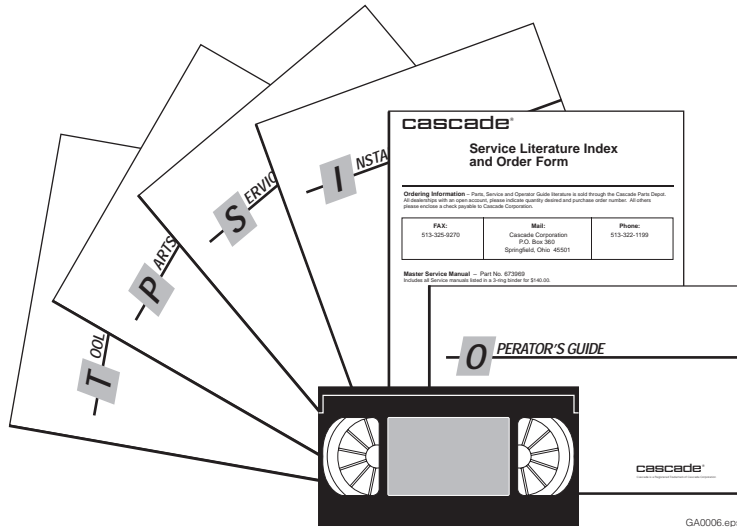
Write: Cascade Corporation, P.O. Box 20187, Portland, OR 97220

Internet: www.cascorp.com

Safety Decals

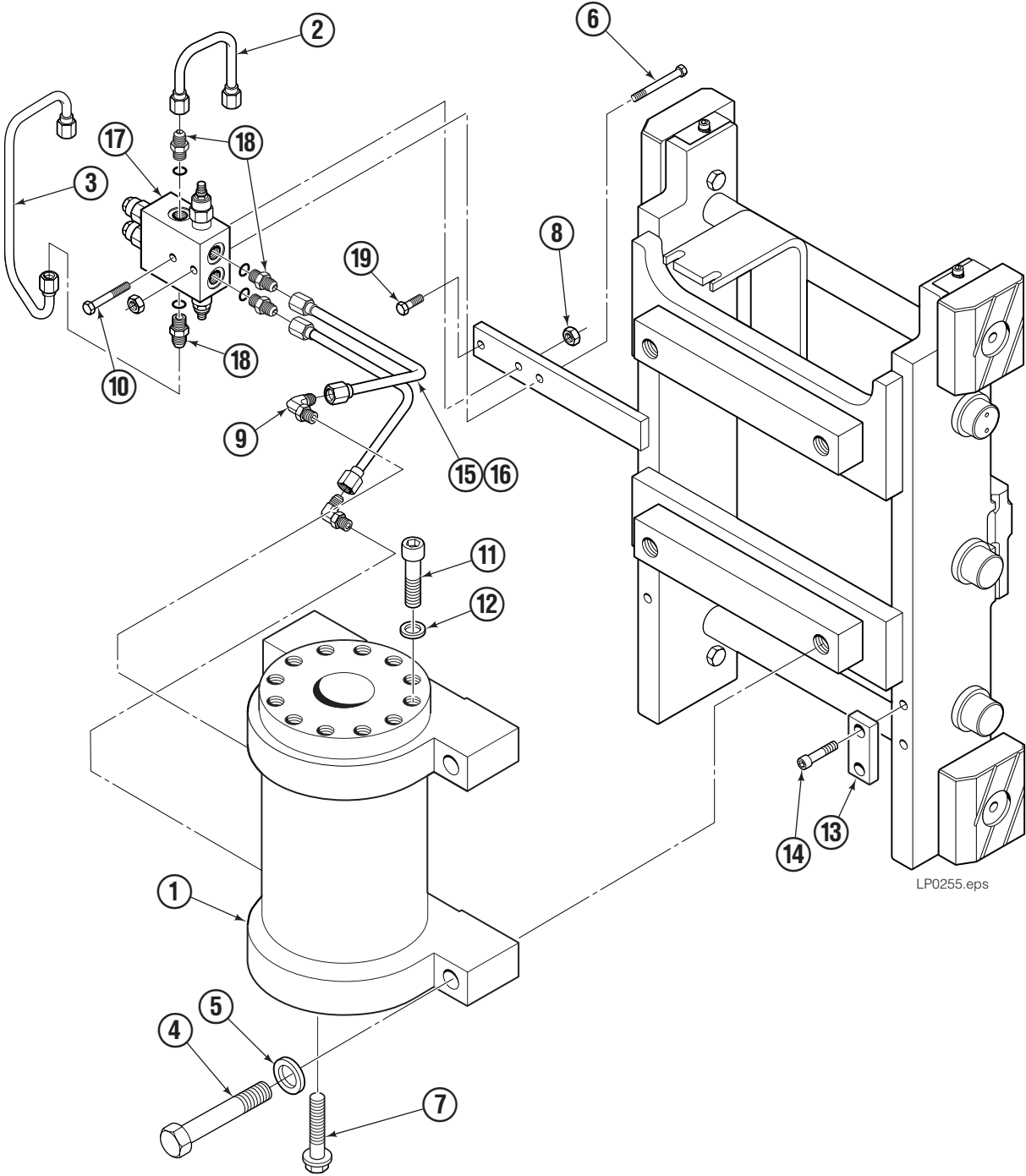


Publications



PART NO.	DESCRIPTION
-	Parts Manual
-	Service Manual
222964	Installation Instructions
222225	Operators Guide
679929	Tool Catalog
673964	Literature Index Order Form

Hydraulic Group



LP0255.eps

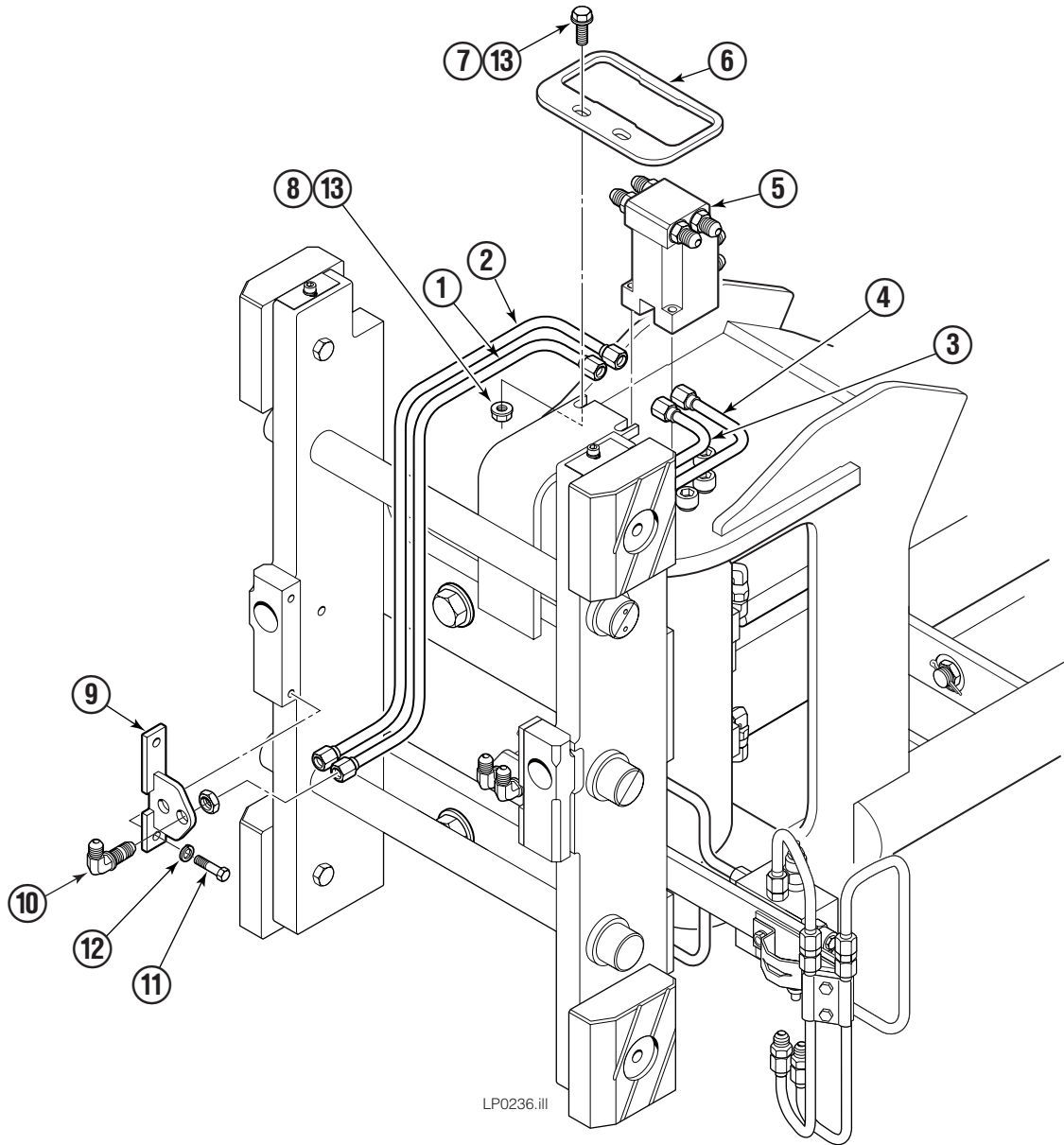
Hydraulic Group

30A			
REF	QTY	PART NO.	DESCRIPTION
		6126431	Hydraulic Group
1	1	6125968	Actuator
2	1	223019	Tube
3	1	223020	Tube
4	4	6126374	Capscrew, 7/8 x 5.00
5	4	221204	Washer
6	1	3611	Capscrew, 3/8 x 3.00
7	7	607085	Capscrew, .625 x 1.50
8	2	6099	Nut
9	2	601676	Fitting, 6-6
10	1	674910	Capscrew
11	12	607105	Capscrew, 3/4 x 2.00
12	12	670692	Washer
13	2	221980	Bumper
14	4	753159	Capscrew, M6 x 10
15	1	6126392	Tube
16	1	6126392	Tube
17	1	221642	Valve ●
18	4	604511	Fitting, 6-6
19	1	629516	Capscrew, 3/8 x 1.00

● See Valve page for parts breakdown.

Reference: SK-12072.

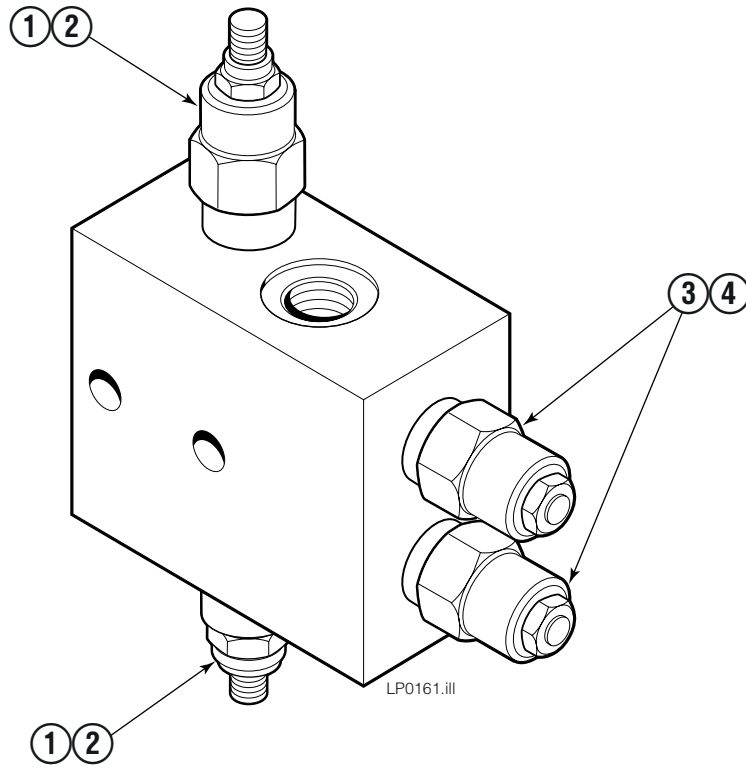
Hydraulic Group



REF	QTY	PART NO.	DESCRIPTION	REF	QTY	PART NO.	DESCRIPTION
		6126431	Hydraulic Group (cont)	7	2	768538	Capscrew, M10 x 30
1	1	6126385	Tube	8	2	786882	Nut, M10
2	1	6126386	Tube	9	2	206898	Bracket
3	1	6126387	Tube	10	4	2453	Fitting, 6-6
4	1	6126388	Tube	11	4	787372	Capscrew, M8 x 20
5	1	220780	Revolving Connection ♦	12	4	206315	Lockwasher, M8
6	1	221649	Bracket	13	2	201570	Washer, M10

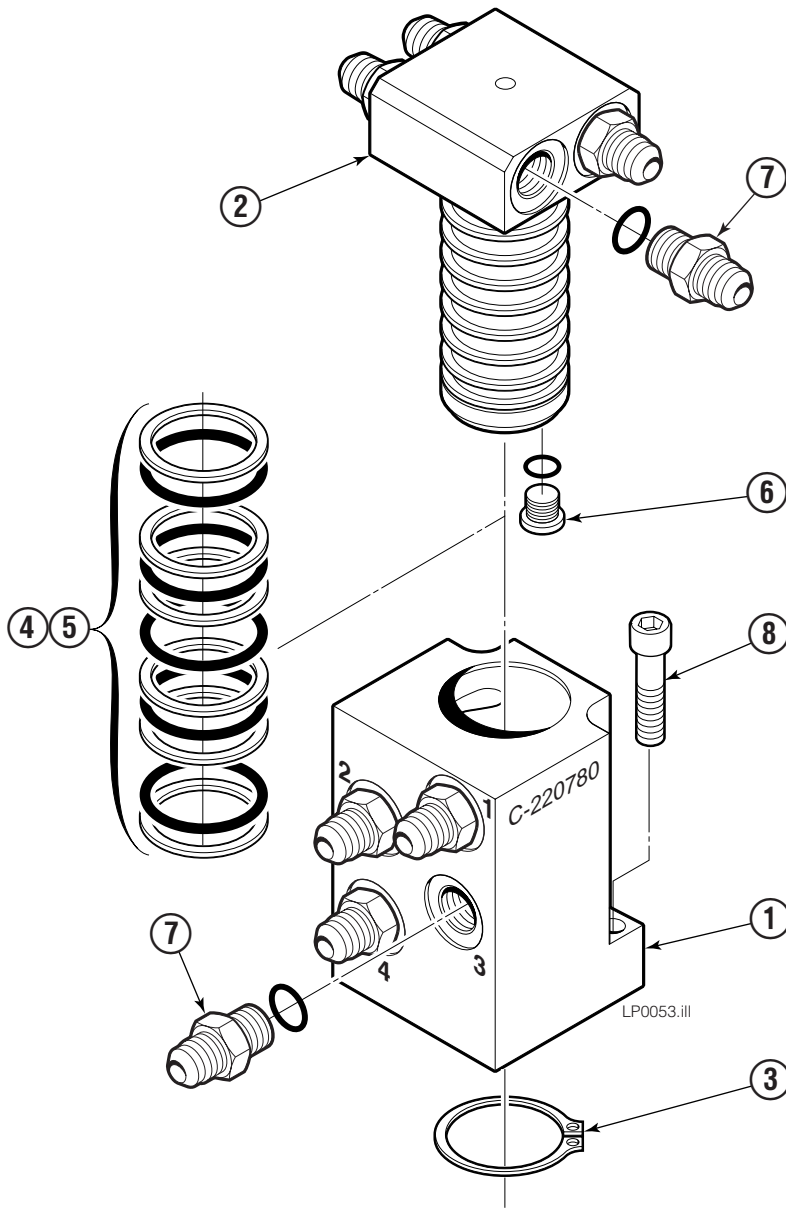
♦ See Revolving Connection page for parts breakdown.
Reference: SK-12072.

Valve



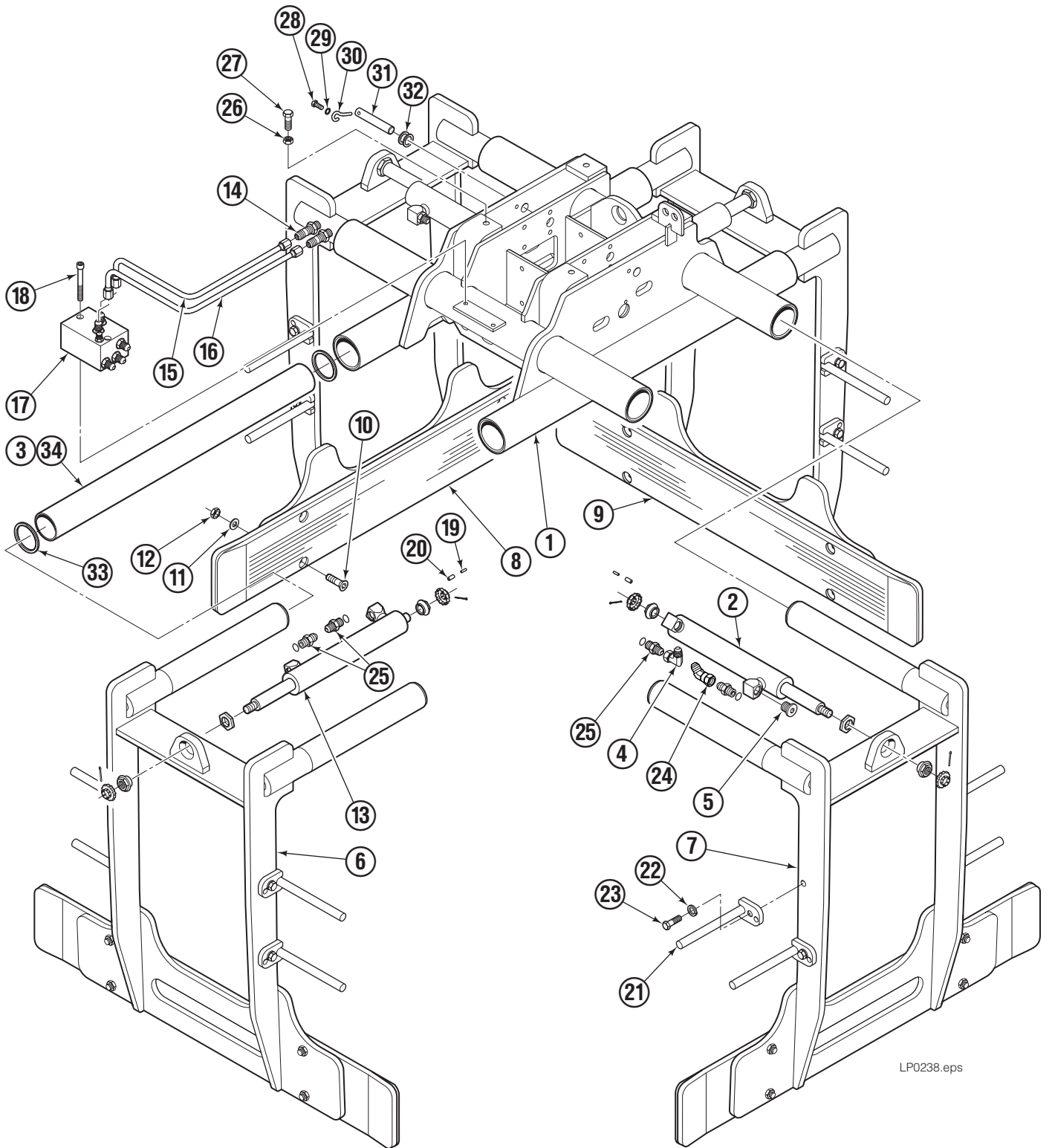
REF	QTY	PART NO.	DESCRIPTION
		221642	Valve Group
1	2	211762	Relief Cartridge
2	2	661312	Service Kit
3	2	674732	Counter Balance Valve
4	2	667516	Service Kit

Revolving Connection



REF	QTY	PART NO.	DESCRIPTION
		220780	Revolving Connection
1	1	220781	Body
2	1	322714	Shaft
3	1	3139	Retaining Ring
4	8	615122	Back-Up Ring
5	5	655949	O-Ring
6	4	663694	Fitting, 3
7	8	604511	Fitting, 8-8
8	2	768796	Capscrew, M8x35

Clamp Assembly



LP0238.eps

Clamp Assembly

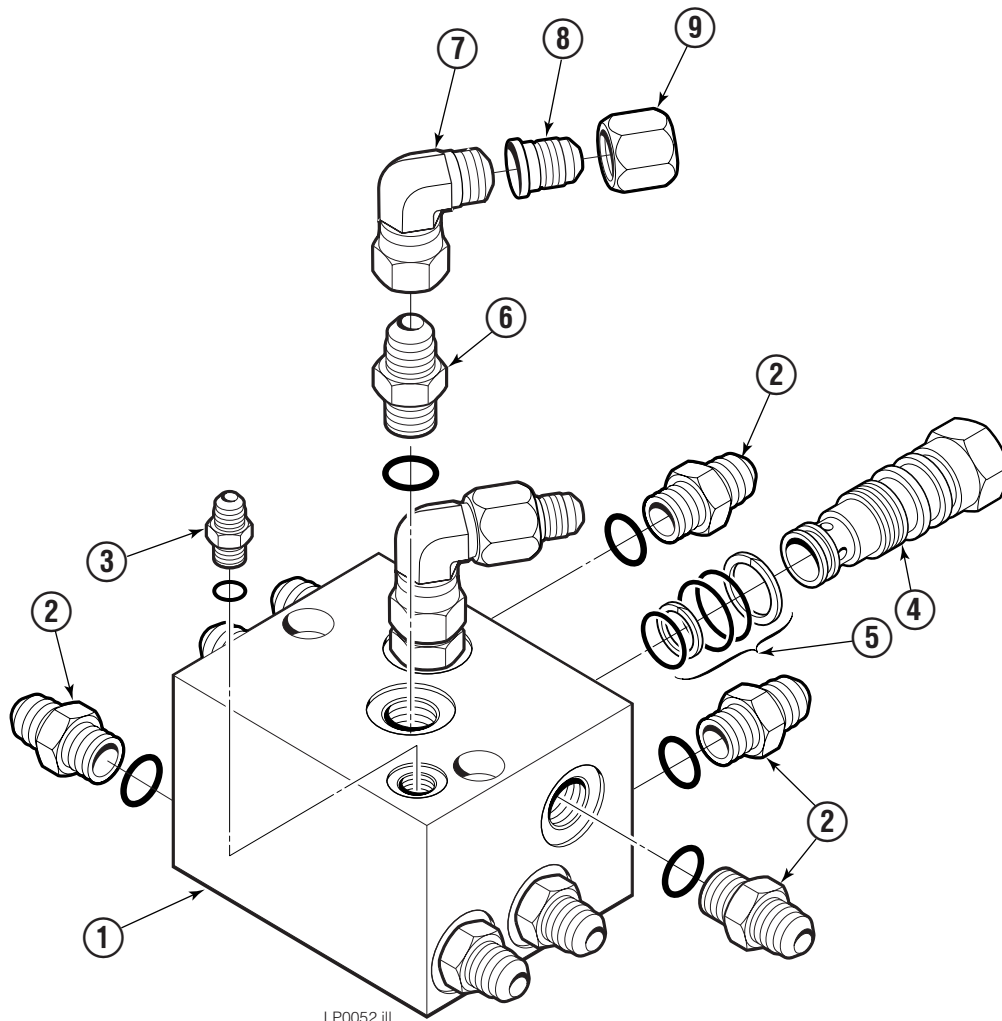
30A			
REF	QTY	PART NO.	DESCRIPTION
		6142804	Clamp Assembly
1	1	6142799	Frame (28321)
2	2	6142796	Cylinder – LA ♦
3	2	21066-0919	Bushing
4	6	2680	Fitting, 6-6
5	8	602580	Plug
6	2	6142801	Arm – Short (21075)
7	2	6142800	Arm – Long (21075)
8	2	6142802	Contact Pad, 40 x 10 in. (21031)
9	2	6142803	Contact Pad, 30 x 10 in. (21031)
10	16	755028	Capscrew, M12 x 50
11	16	200456	Washer, M12
12	16	205979	Nut, M12
13	2	6142795	Cylinder – SA ♦
14	2	2375	Fitting, 6-6
15	1	6116409	Tube
16	1	6116410	Tube
17	1	219694	Valve ●
18	2	768802	Capscrew, M8 x 70
19	4	7861	Roll Pin – Inner
20	4	7962	Roll Pin – Outer
21	16	221199	Bracket
22	16	683822	Lockwasher, M12
23	16	763021	Capscrew, M12 x 30
24	2	605230	Fitting, 6-6
25	8	611288	Fitting, 6-6
26	4	688387	Jam Nut, M12
27	4	768555	Capscrew, M12 x 40
28	2	787372	Capscrew, M8 x 20
29	2	787398	Washer, M8
30	2	6020429	Eye Pin
31	2	218169	Pin
32	4	399469	Shim
33	8	222901	Retaining Ring
34	2	21066-0665	Bushing

♦ See Cylinder page(s) for parts breakdown.

● See Valve page for parts breakdown.

Reference: Common Parts Group 6116436-R1, S-28320.

Clamp Valve



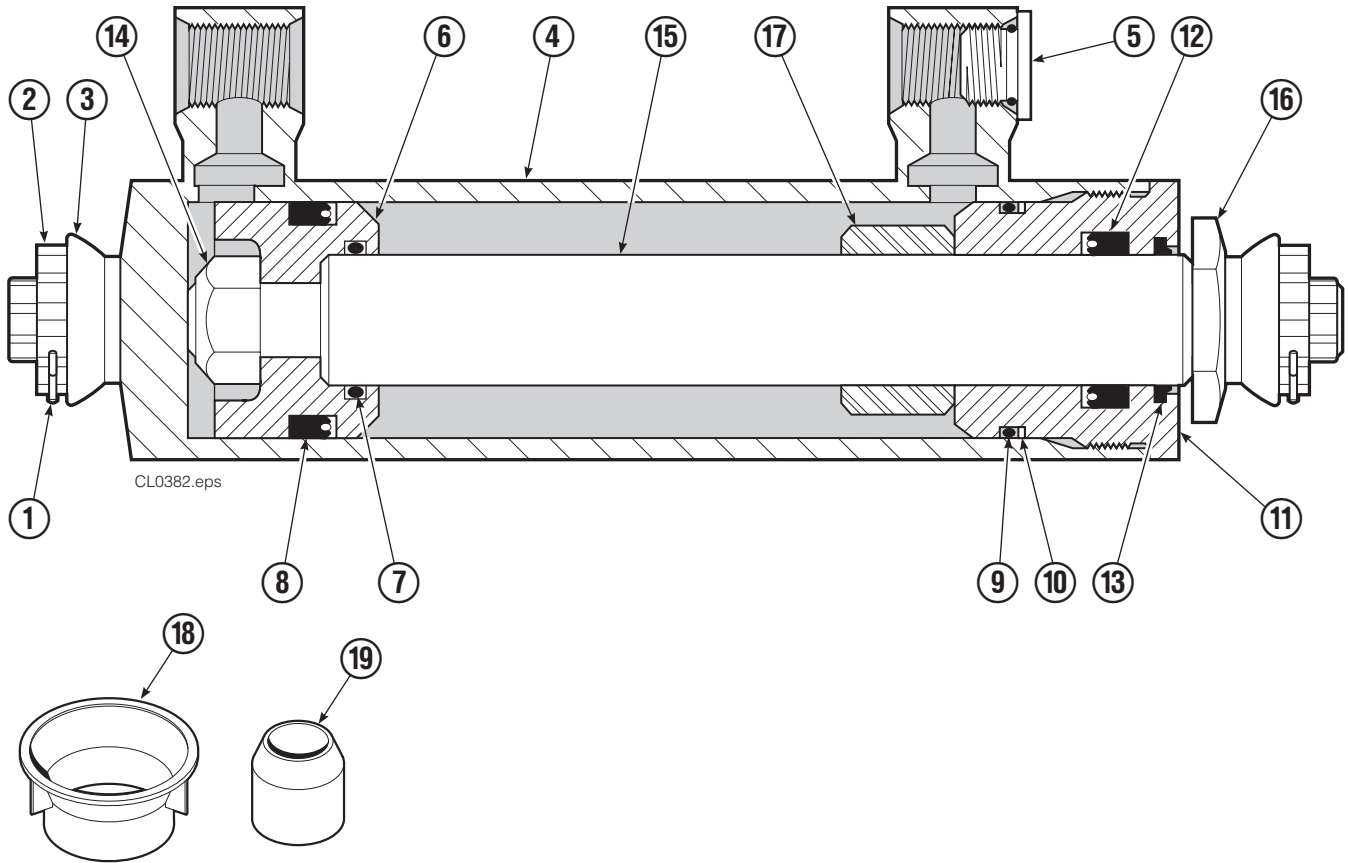
LP0052.ill

REF	QTY	PART NO.	DESCRIPTION
		219694	Valve Assembly
1	1	219693	Body
2	8	611288	Fitting, 6-8
3	1	617915	Fitting, 4-4
4	1	659058	Check Valve - PO
5	1	667516	Service Kit
6	2	601377	Fitting, 8-8
7	2	605761	Fitting, 8-8 ▲
8	2	2671	Fitting, 8 ▲
9	2	2618	Nut, 8 ▲

▲ Not included in Valve Assembly.

Reference: Hydraulic Group 222080.

Cylinder Assembly



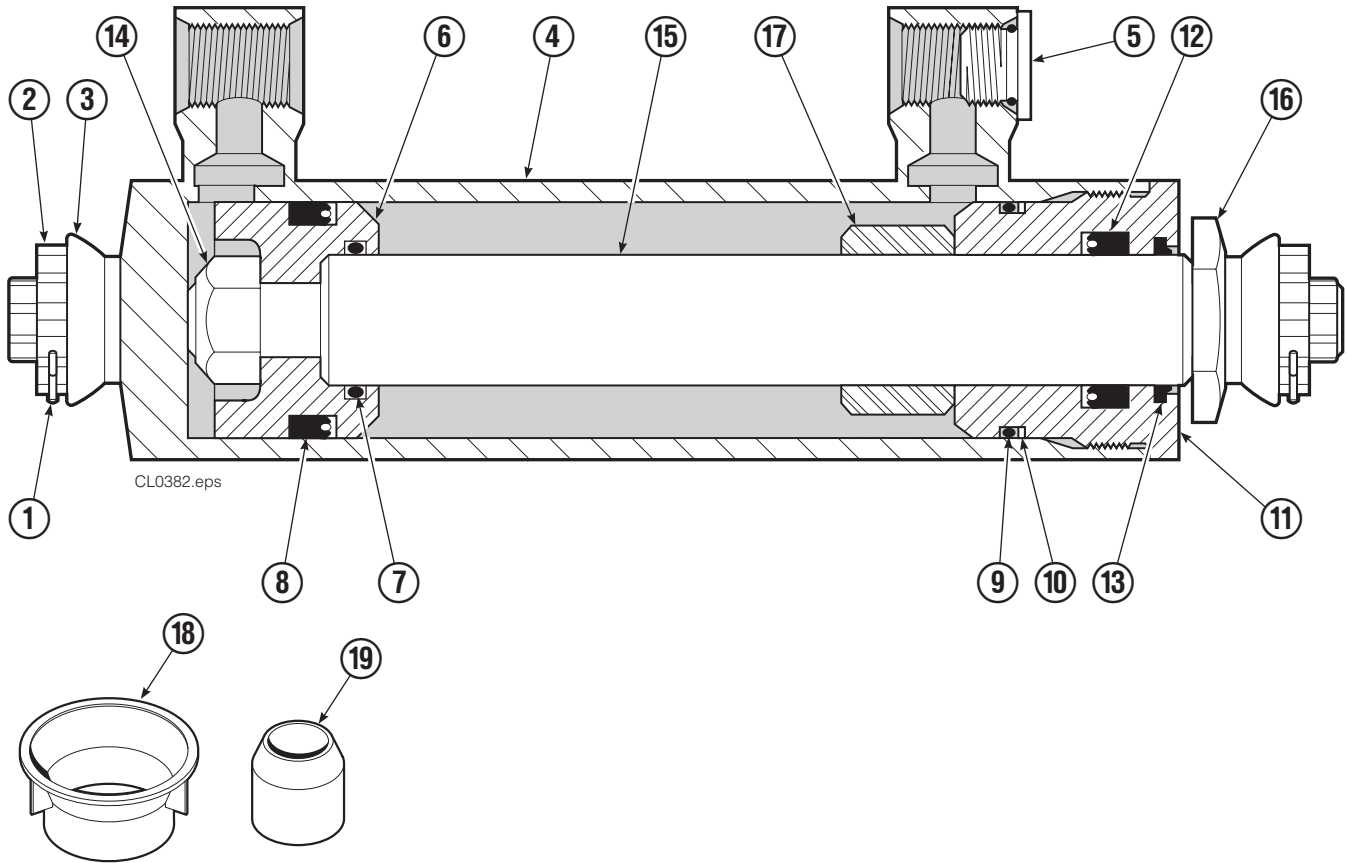
REF	QTY	PART NO.	DESCRIPTION
		6142795	Cylinder Assembly
1	2	6510	■ Cotter Pin
2	2	667624	■ Nut Retainer
3	2	667625	■ Nut
4	1	6118487	Shell
5	1	602580	Fitting
6	1	559702	Piston
7	1	2716	◆ O-Ring
8	1	662450	◆ Seal
9	1	2722	◆ O-Ring
10	1	615126	◆ Back-Up Ring
11	1	413799	Retainer
12	1	662448	◆ Seal
13	1	636853	◆ Wiper
14	1	667623	Nut
15	1	6118488	Rod
16	1	667626	Washer
17	1	6142797	Spacer
18	1	671047	◆ Seal Loader - Piston
19	1	671051	◆ Seal Loader - Retainer
		560729	Service Kit

■ Included in Nut Service Kit 668926.

◆ Included in Service Kit 560729.

Reference: ST-0283, ST-0284.

Cylinder Assembly



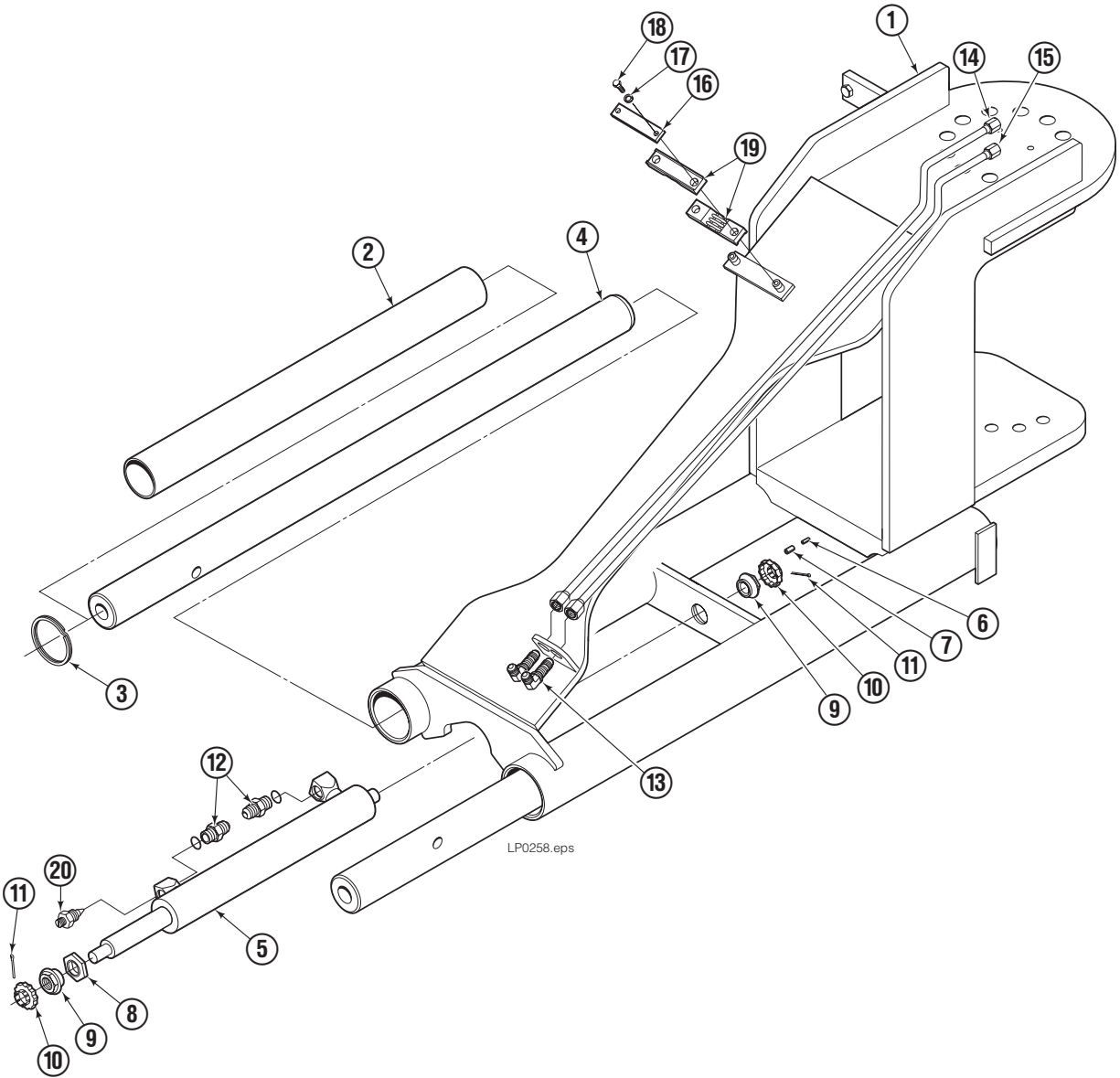
REF	QTY	PART NO.	DESCRIPTION
		6142796	Cylinder Assembly
1	2	6510	■ Cotter Pin
2	2	667624	■ Nut Retainer
3	2	667625	■ Nut
4	1	6119625	Shell
5	1	602580	Fitting
6	1	559702	Piston
7	1	2716	◆ O-Ring
8	1	662450	◆ Seal
9	1	2722	◆ O-Ring
10	1	615126	◆ Back-Up Ring
11	1	413799	Retainer
12	1	662448	◆ Seal
13	1	636853	◆ Wiper
14	1	667623	Nut
15	1	6119626	Rod
16	1	667626	Washer
17	1	6142798	Spacer
18	1	671047	◆ Seal Loader - Piston
19	1	671051	◆ Seal Loader - Retainer
		560729	Service Kit

■ Included in Nut Service Kit 668926.

◆ Included in Service Kit 560729.

Reference: ST-0283, ST-0284.

Boom Arm Assembly



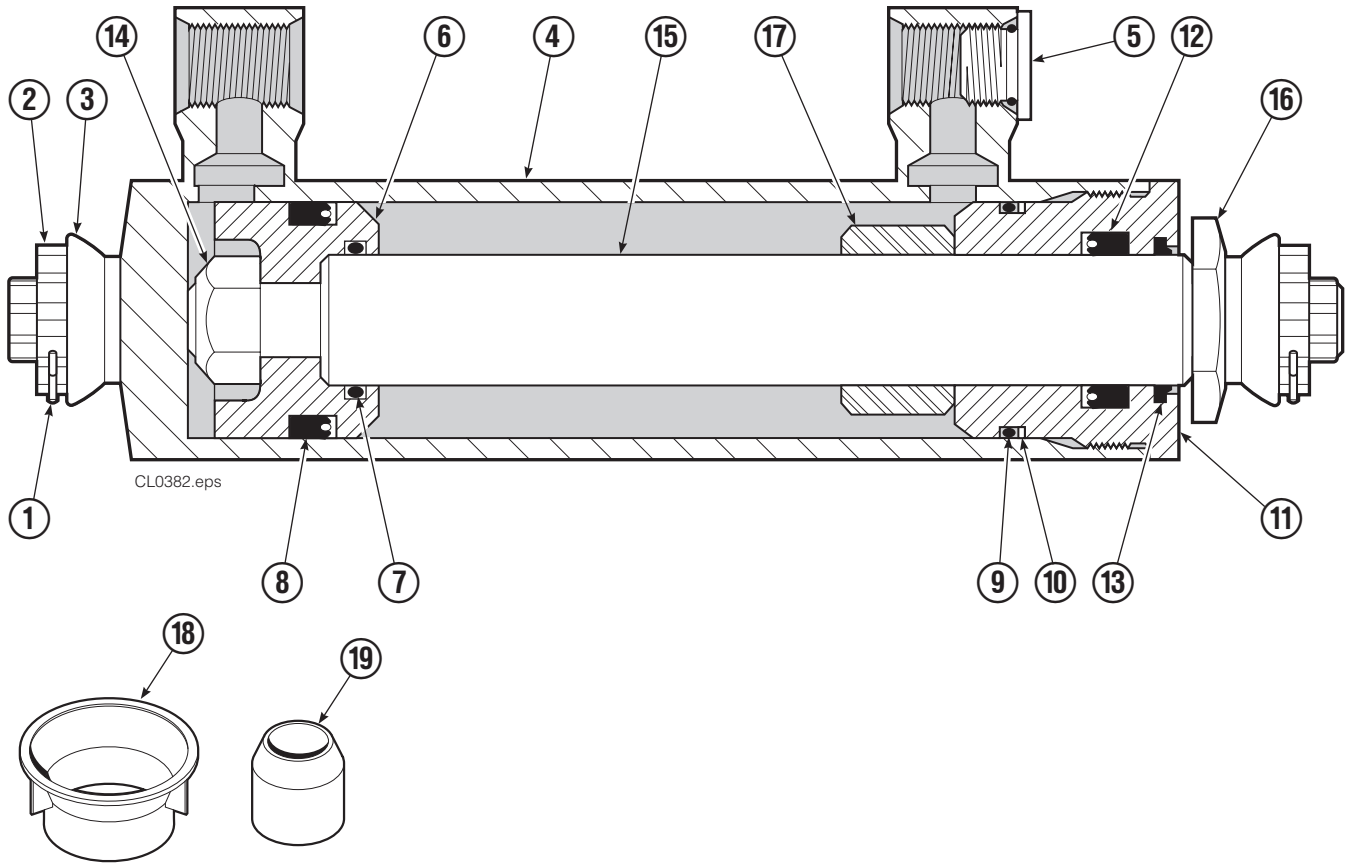
LP0258.eps

30A							
REF	QTY	PART NO.	DESCRIPTION	REF	QTY	PART NO.	DESCRIPTION
		6142670	Boom Arm Assembly	11	2	6510	Cotter Pin
1	1	6134360	Frame	12	2	611288	Fitting, 6-6
2	2	21066-0780	Bushing	13	2	2453	Fitting, 6-6
3	2	222901	Retaining Ring	14	1	6134365	Tube
4	2	6128322	Arm Bar	15	1	6134364	Tube
5	1	6142672	Cylinder ◆	16	1	203407	Bar
6	1	—	Roll Pin – Inner	17	2	206323	Lockwasher, M6
7	1	—	Roll Pin – Outer	18	2	763169	Capscrew, M6 x 20
8	1	667626	Washer	19	2	208731	Molded Insert
9	2	667625	Nut	20	1	667609	Restrictor Fitting ●
10	2	667624	Retainer				

◆ See Cylinder page for parts breakdown.

● See Restrictor Fitting page for parts breakdown.

Cylinder Assembly



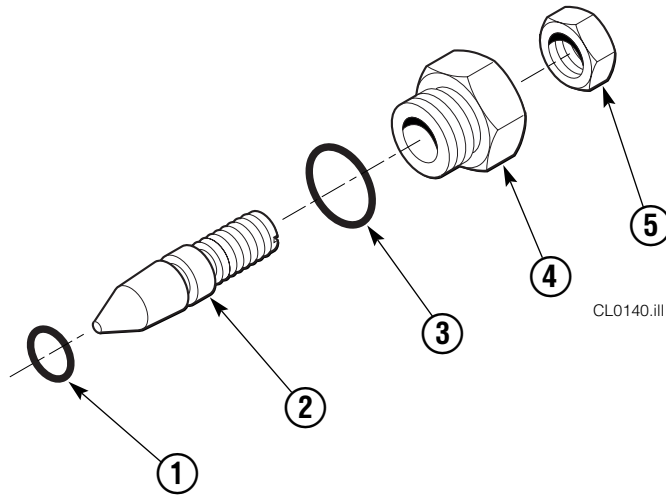
REF	QTY	PART NO.	DESCRIPTION
		6142672	Cylinder Assembly
1	2	6510	■ Cotter Pin
2	2	667624	■ Nut Retainer
3	2	667625	■ Nut
4	1	3006096	Shell
5	1	602580	Fitting
6	1	559702	Piston
7	1	2716	◆ O-Ring
8	1	662450	◆ Seal
9	1	2722	◆ O-Ring
10	1	615126	◆ Back-Up Ring
11	1	413799	Retainer
12	1	662448	◆ Seal
13	1	636853	◆ Wiper
14	1	667623	Nut
15	1	6110147	Rod
16	1	667626	Washer
17	1	—	Spacer
18	1	671047	◆ Seal Loader - Piston
19	1	671051	◆ Seal Loader - Retainer
		560729	Service Kit

■ Included in Nut Service Kit 668926.

◆ Included in Service Kit 560729.

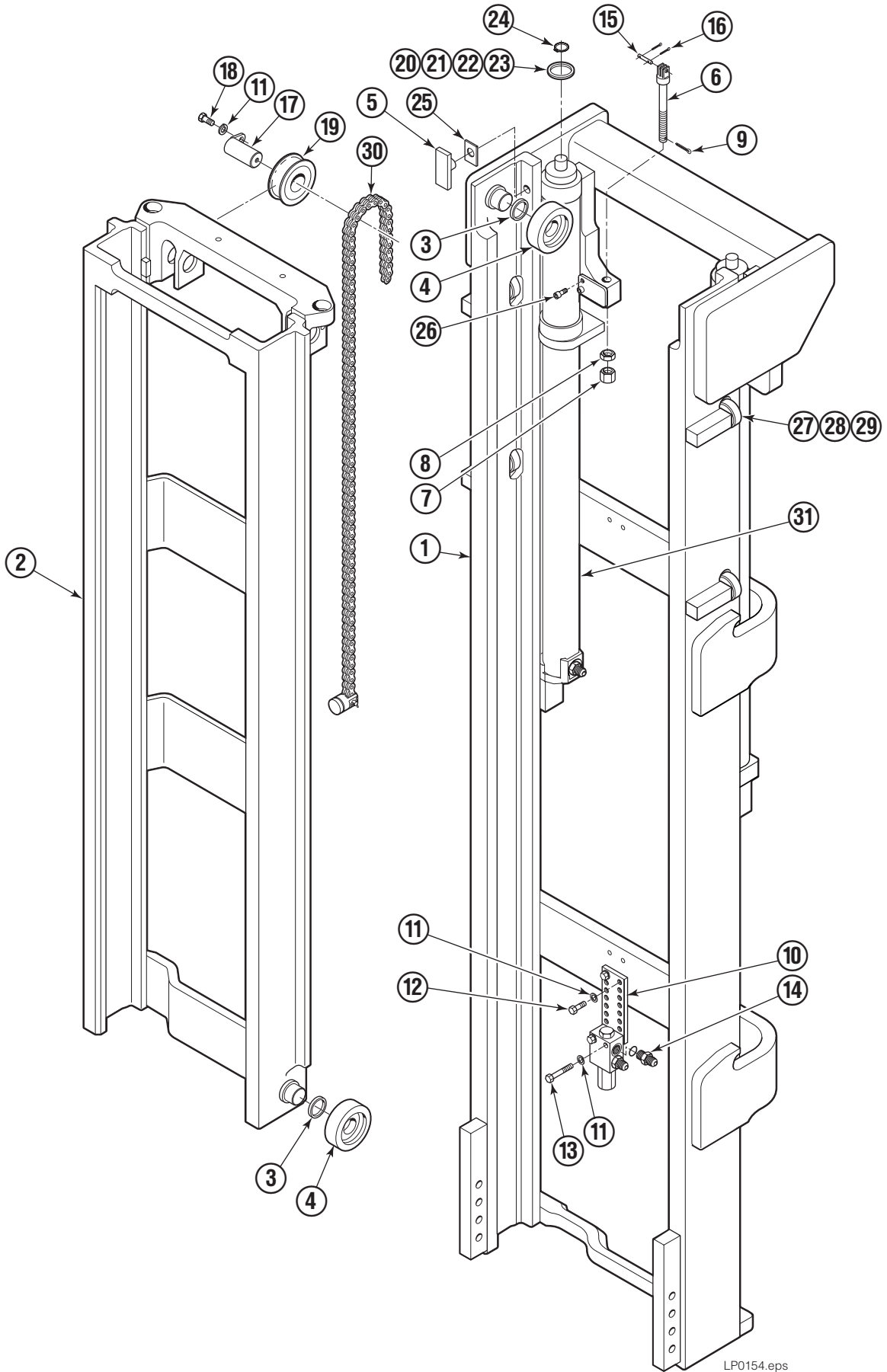
Reference: ST-0283, ST-0284.

Restrictor Cartridge



REF	QTY	PART NO.	DESCRIPTION
		667609	Restrictor Cartridge
1	1	2701	O-Ring
2	1	667611	Plunger
3	1	2841	O-Ring
4	1	667610	Plug - Special
5	1	5716	Jam Nut

Basic Mast Assembly



LP0154.eps

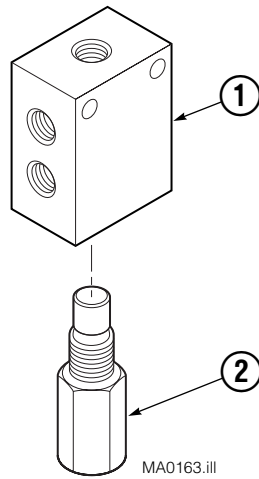
Basic Mast Assembly

30A			
REF	QTY	PART NO.	DESCRIPTION
		6142814	Basic Mast Assembly
1	1	218921	Outer Upright
2	1	220484	Inner Upright
3	●	631881	Shim (.03 in.) (0,7 mm)
4	4	662145	Roller
5	2	215720	Wear Plug
6	2	201435	Chain Anchor
7	2	200006	Nut, .625
8	2	200007	Jam Nut, .625
9	2	6518	Cotter Pin
10	1	683831	Bar
11	6	681238	Lockwasher, M10
12	2	684649	Capscrew, M10 x 25
13	2	683823	Capscrew, M10 x 50
14	2	601377	Fitting, 8-8
15	2	684305	Pin
16	4	6508	Cotter Pin
17	2	683802	Pin
18	2	683820	Capscrew, M10 x 16
19	2	660051	Sheave
20	1	200524	Shim (.06 in.) (1,5 mm)
21	1	200525	Shim (.06 in.) (2,3 mm)
22	1	205085	Shim (.01 in.) (0,3 mm)
23	1	205086	Shim (.03 in.) (0,7 mm)
24	2	688935	Snap Ring
25	2	215722	Shim
26	4	219596	Capscrew, M10 x 16
27	4	6004161	Thrust Roller
28	4	753221	Capscrew, M8 x 16
29	4	684660	Lockwasher
30	2	683981	Chain
31	2	580705	Cylinder ▲
	1	684810	Lowering Control Valve ■
	2	688626	Internal Hose Reeving ◆
	1	6123986	Mounting Group ▼
	1	224096	Hydraulic Group ▼
	1	6116740	Upper Carriage Assembly ★

- Quantity as required.
 - ▲ See Cylinder page for parts breakdown.
 - See Valve page for parts breakdown.
 - ◆ See Internal Hose Reeving page for parts breakdown.
 - ▼ See Mounting/Hydraulic page for parts breakdown.
 - ★ See Upper Carriage Assembly page for parts breakdown.
- Reference: Common Parts Group 6107657,
Mast Assembly 6142815.

Lowering Control Valve

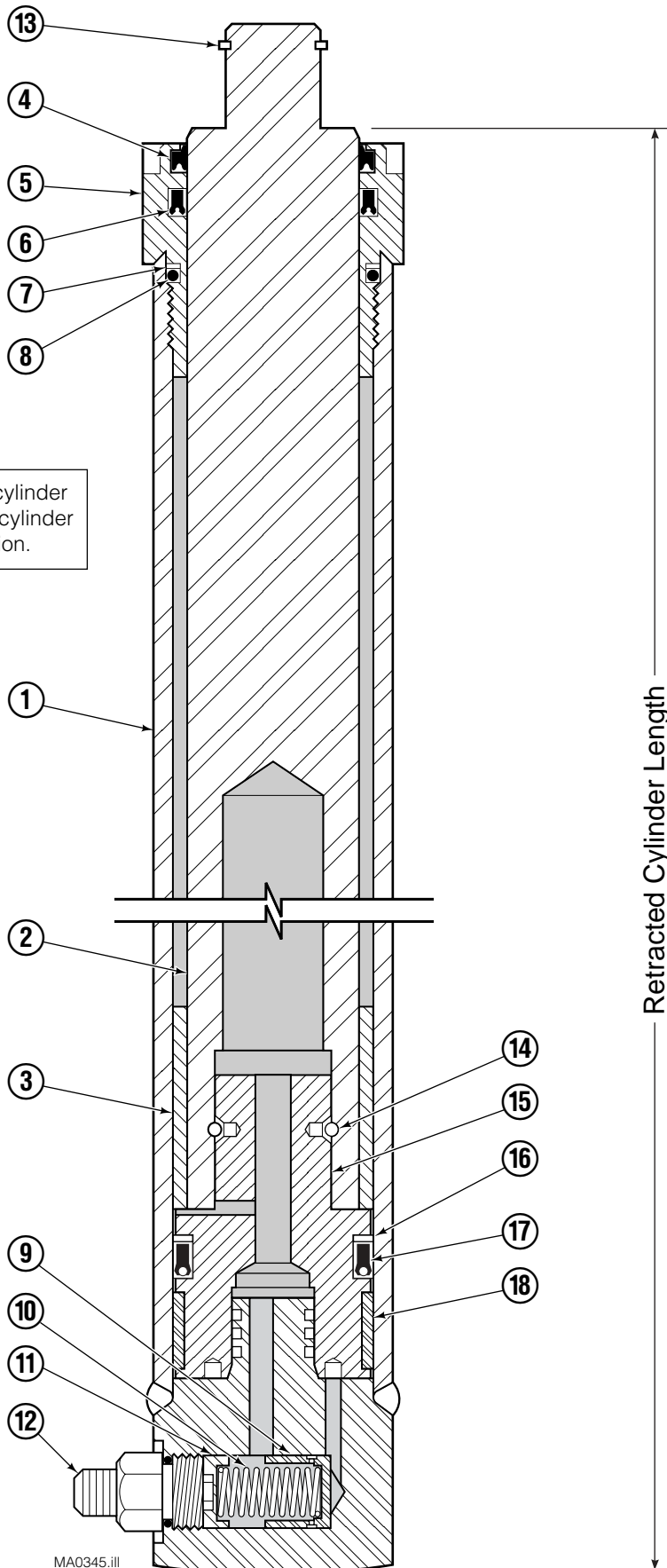
2600 PSI System Pressure




REF	QTY	PART NO.	DESCRIPTION
		684810	Lowering Control Valve
1	1	684152	Valve Body
2	1	684210	Valve Cartridge ▲

▲ This part must not be substituted. Check part number on side of cartridge when replacing.

Main Lift Cylinder-2600 PSI



 **WARNING:** Replacing the cylinder with a different part number cylinder may cause mast to malfunction.

MA0345.iii

Main Lift Cylinder-2600 PSI

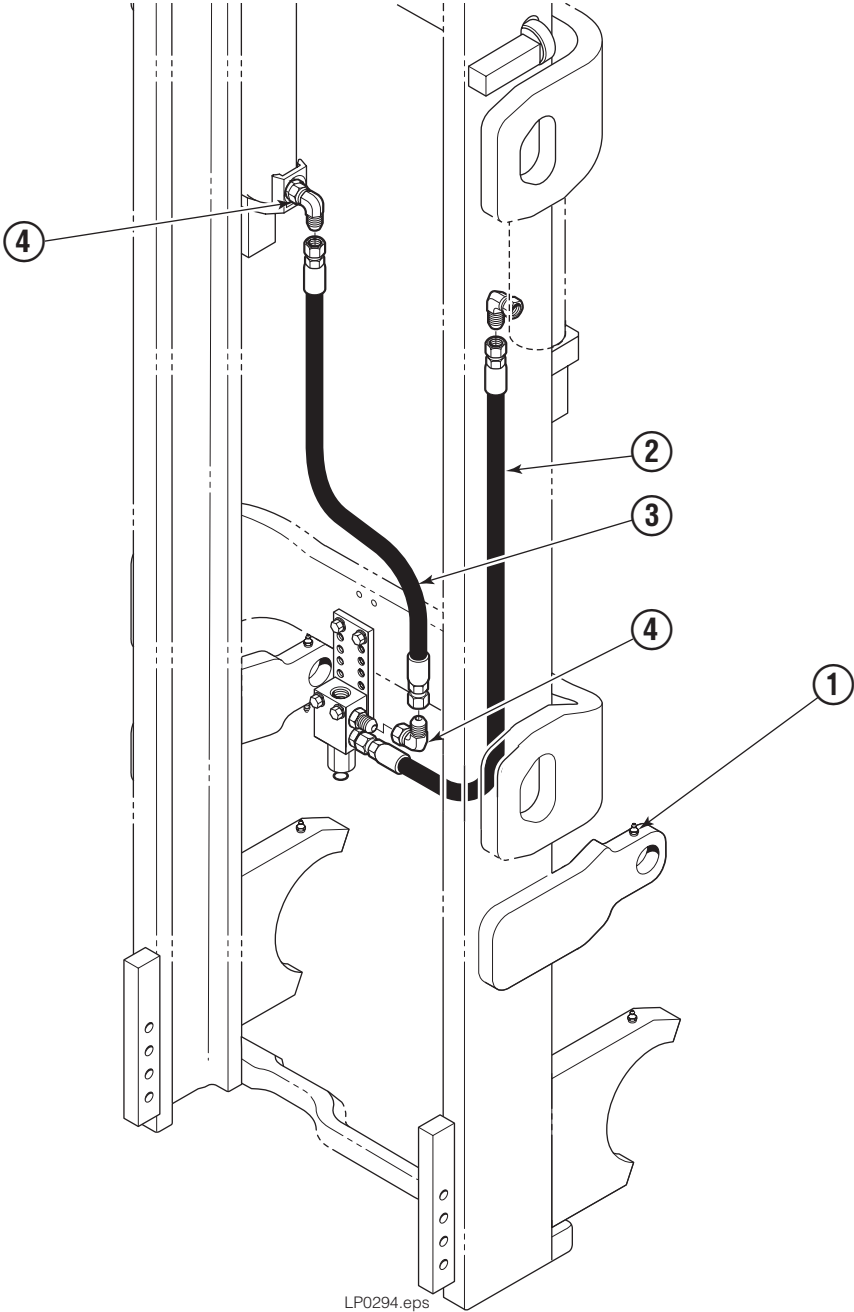
REF	QTY	PART NO.	DESCRIPTION
	1	580705	Cylinder Assembly
1	1	5432-1237	Shell
2	1	5444-1205	Plunger
3	—	—	Spacer
4	1	562663	▲ Plunger Wiper
5	1	562630	Retainer
6	1	562569	▲ Plunger Seal
7	1	559859	▲ Back-Up Ring
8	1	559858	▲ O-Ring
9	1	563782	Piston-Lowering Fuse
10	1	562847	Spring
11	1	562848	Spring Guide
12	1	611289	Fitting, 8-10 ■
13	1	3129	▲ Snap Ring
14	1	559906	▲ Pull-In Wire
15	1	560462	Piston
16	1	560066	▲ Back-Up Ring
17	1	563631	▲ Piston Seal
18	1	559864	▲ Wear Ring

▲ Included in Service Kit 562591.

■ Not included in Cylinder Assembly.

Reference: S-6079, S-6080.

Mast Installation



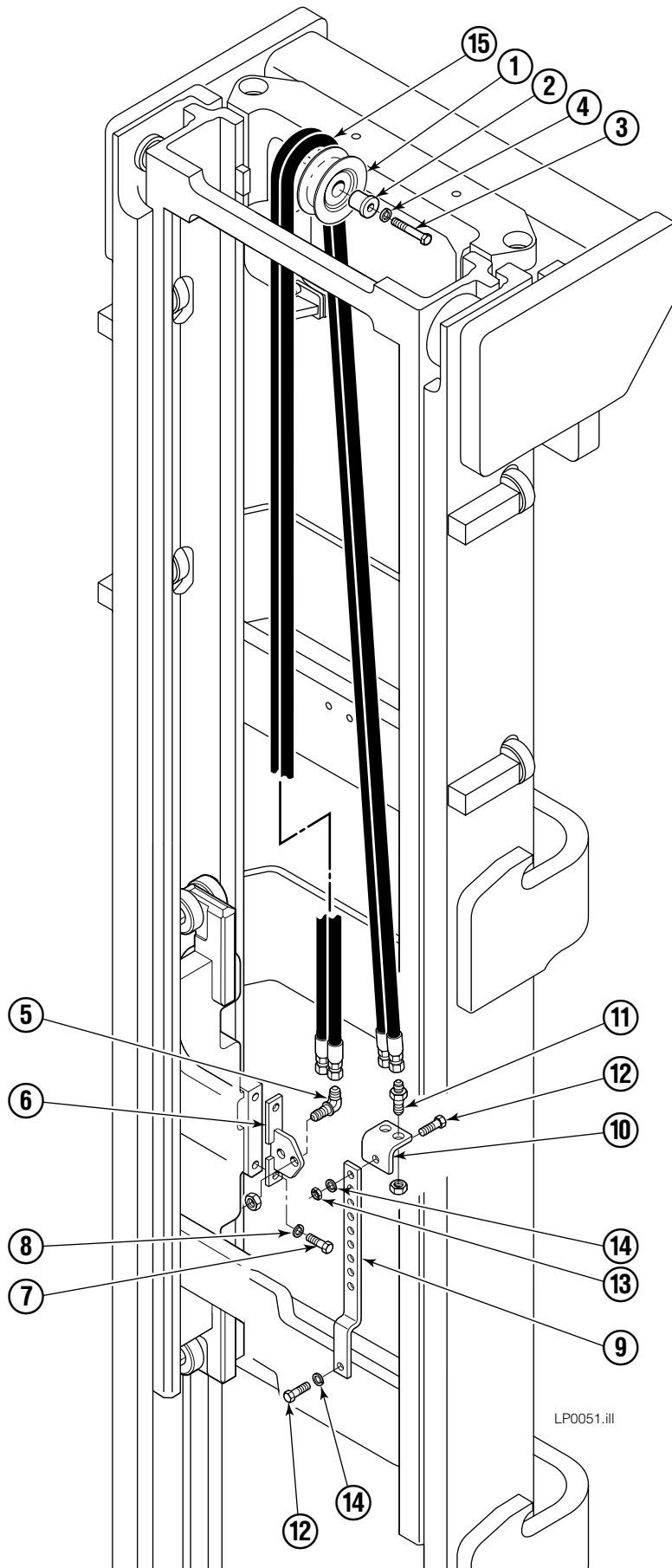
REF	QTY	PART NO.	DESCRIPTION
1	4	7418	● Grease Fitting
2	1	224098	◆ Hose, 38.00 in.
3	1	212649	◆ Hose, 27.50 in.
4	3	605761	◆ Fitting, 8-8

● Included in Mounting Group 6123986.

◆ Included in Hydraulic Group 224096.

Reference: SK-12123.

Internal Hose Reeving

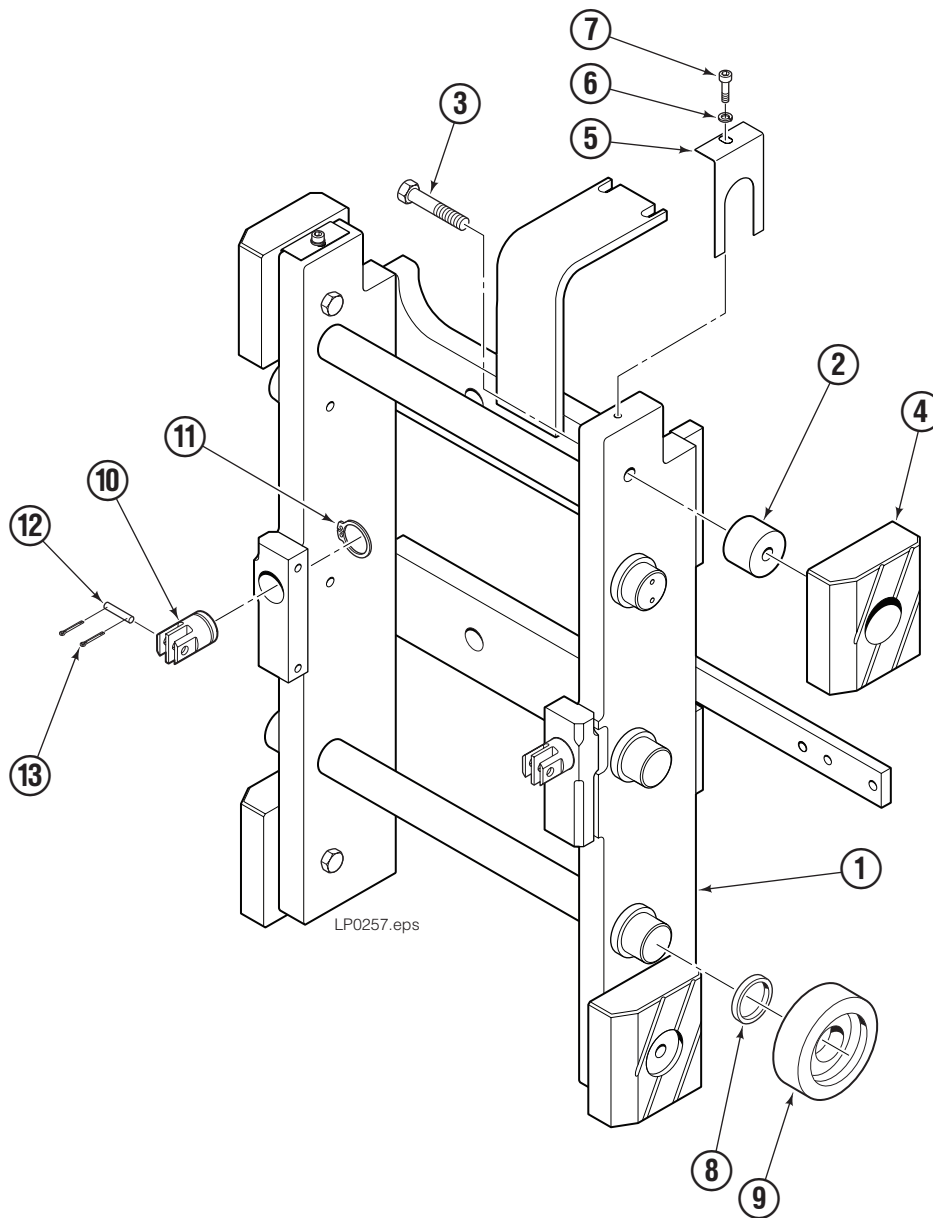


Internal Hose Reeving

REF	QTY	PART NO.	DESCRIPTION
		688626	Internal Hose Reeving
1	2	209623	Sheave
2	2	684657	Shaft
3	2	684650	Capscrew, M12x55
4	2	683822	Lockwasher, M12
5	2	2453	Fitting, 8-8
6	2	206898	Bracket
7	2	787372	Capscrew, M8x20
8	2	206315	Lockwasher, M8
9	2	684658	Bracket
10	2	683919	Bracket
11	2	2375	Fitting, 8-8
12	2	684649	Capscrew, M10x25
13	2	763023	Nut, M10
14	2	683826	Lockwasher, M10
15	2	3550-3155	Hose

Reference: Common Parts Group 684819, S-3548.

Carriage Assembly



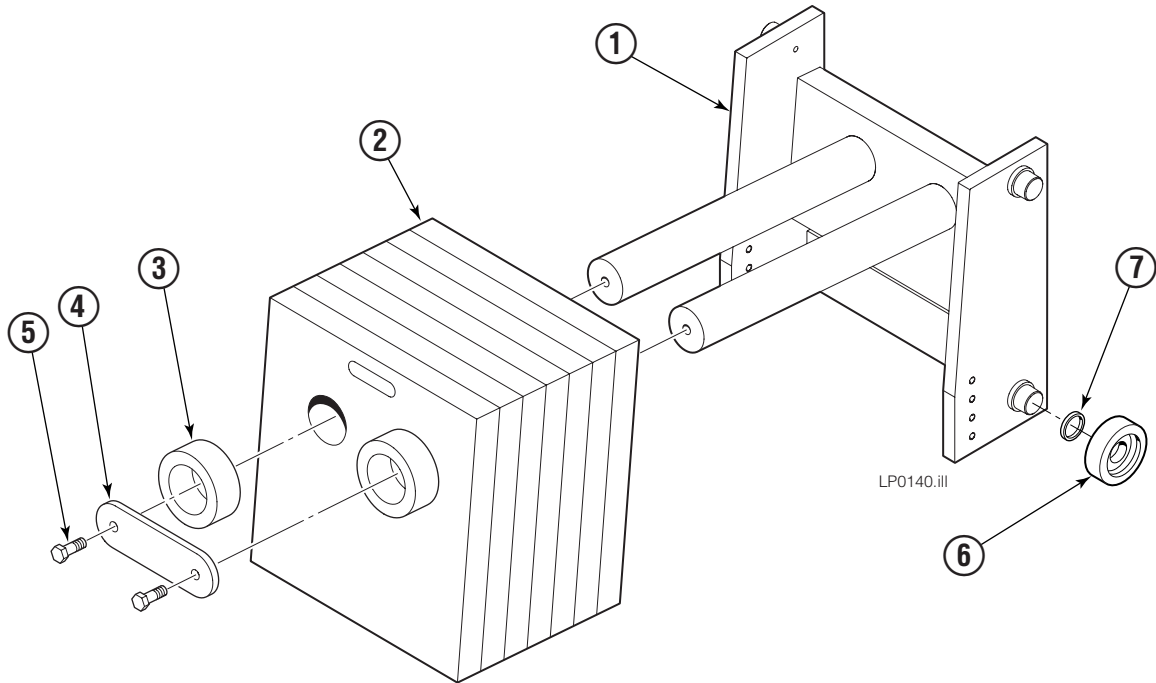
REF	QTY	PART NO.	DESCRIPTION
		6116740	Carriage Assembly
1	1	6116741	Carriage
2	4	6113008	Stub Shaft
3	4	202407	Capscrew, M12 x 60
4	4	6113010	Bearing
5	■	6113016	Shim
6	4	206315	Lockwasher, M8
7	4	768795	Capscrew, M8 x 30
8	■	631881	◆ Shim, .03 in. (.07mm)
9	6	662145	◆ Roller
10	2	680243	◆ Chain Anchor
11	2	3135	◆ Snap Ring
12	2	684305	◆ Chain Pin
13	4	6508	◆ Cotter Pin

■ Quantity as required.

◆ Included in Common Parts 6107657.

Reference: Mast Assembly 6135109.

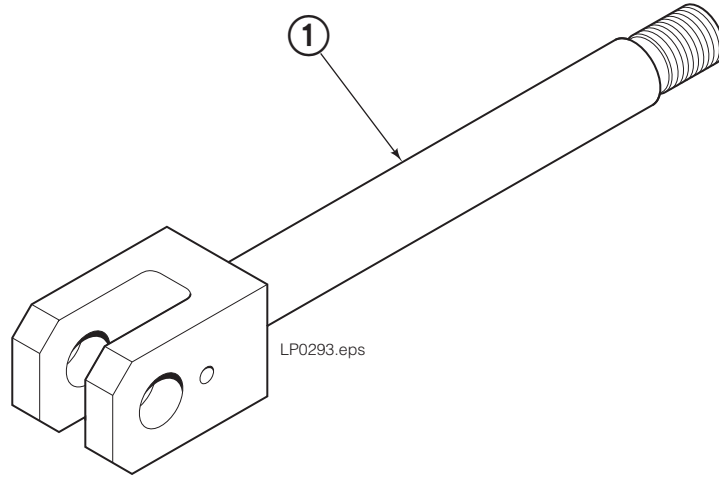
Carriage Ballast



REF	QTY	PART NO.	DESCRIPTION
		3013958	Carriage Ballast Assembly
1	1	3013959	Carriage
2	7	3013297	Ballast Plate
3	2	3013962	Rubber Washer
4	1	3013963	Retainer
5	2	752903	Capscrew
6	4	662145	Roller
7	■	631881	Shim

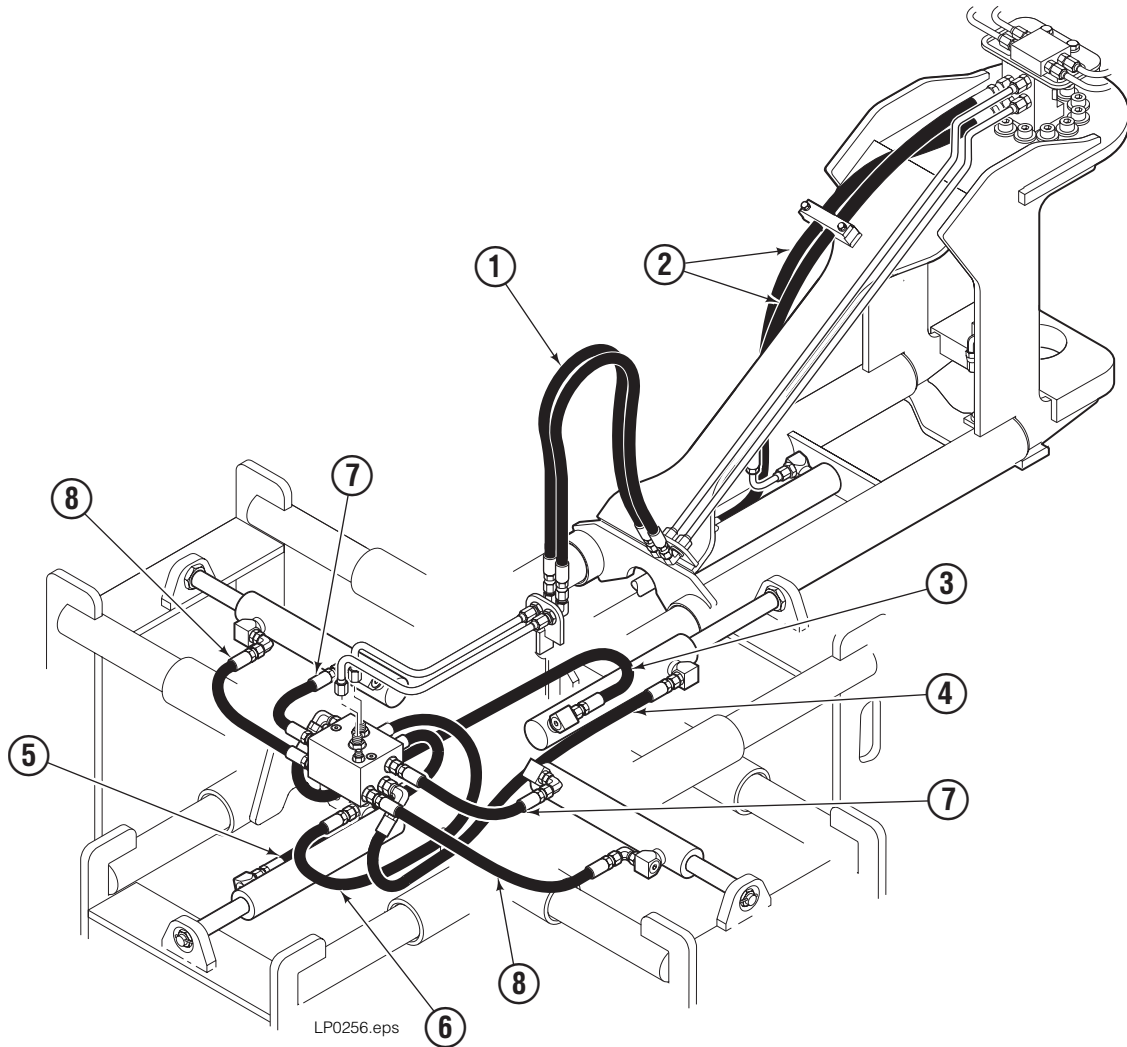
■ Quantity as needed.

Tilt Lock Weldment



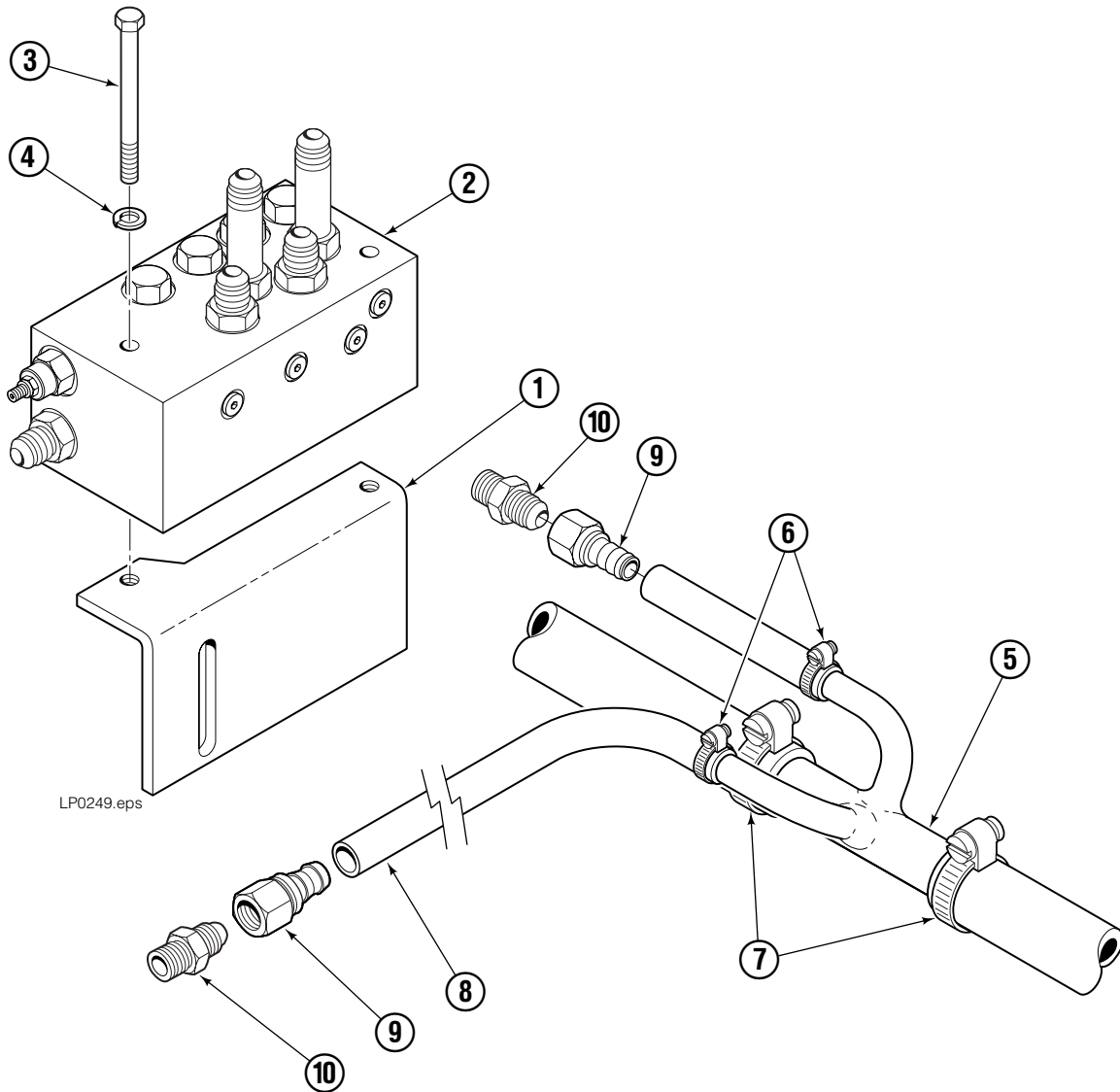
REF	QTY	PART NO.	DESCRIPTION
1	2	6136189	Tilt Lock Weldment

Hose Group



30A			
REF	QTY	PART NO.	DESCRIPTION
		221655	Hose Group
1	1	221651	Hose, 74.00 in.
2	2	209524	Hose, 39.60 in.
3	1	221652	Hose, 30.00 in.
4	1	205226	Hose, 34.25 in.
5	1	201256	Hose, 21.00 in.
6	1	686472	Hose, 25.50 in.
7	2	221653	Hose, 24.50 in.
8	2	221654	Hose, 35.50 in.

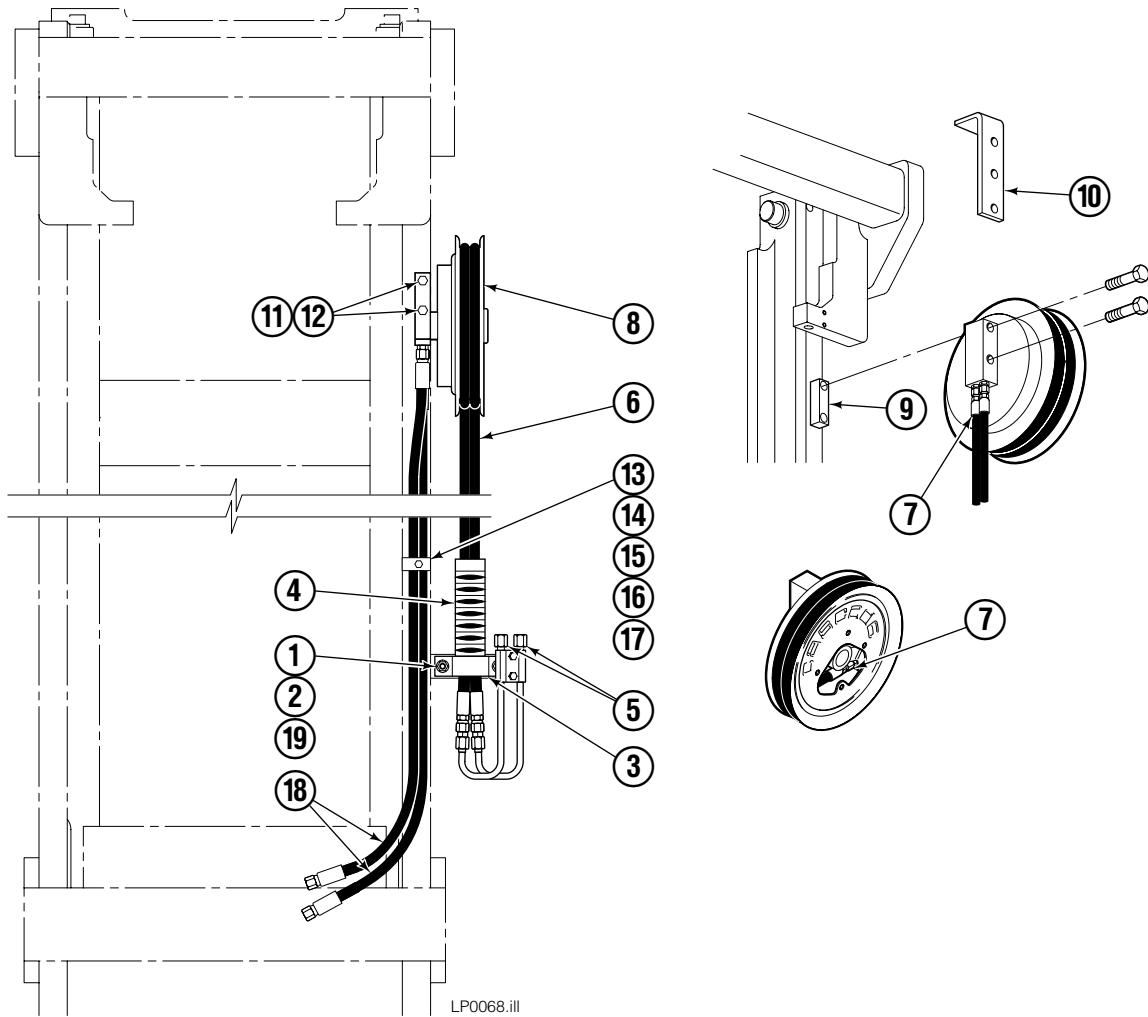
Flow Control Valve Group



REF	QTY	PART NO.	DESCRIPTION
		6113151	Flow Control Valve Group
1	1	233036	Mounting Plate
2	1	6036088	Flow Control Valve
3	2	768535	Capscrew, M8 x 90
4	2	787398	Washer, M8
5	1	6049384	◆ Adapter Tee - 1.00 in.
6	2	211742	◆ Hose Clamp
7	2	211743	◆ Hose Clamp - 1.00 in.
8	1	211740	◆ Hose, 72.00 in.
9	2	211741	◆ Fitting, 8
10	2	601377	◆ Fltting, 8-8

◆ Included in Connector Kit 6049381.

Hydraulic Supply Group



LP0068.ill

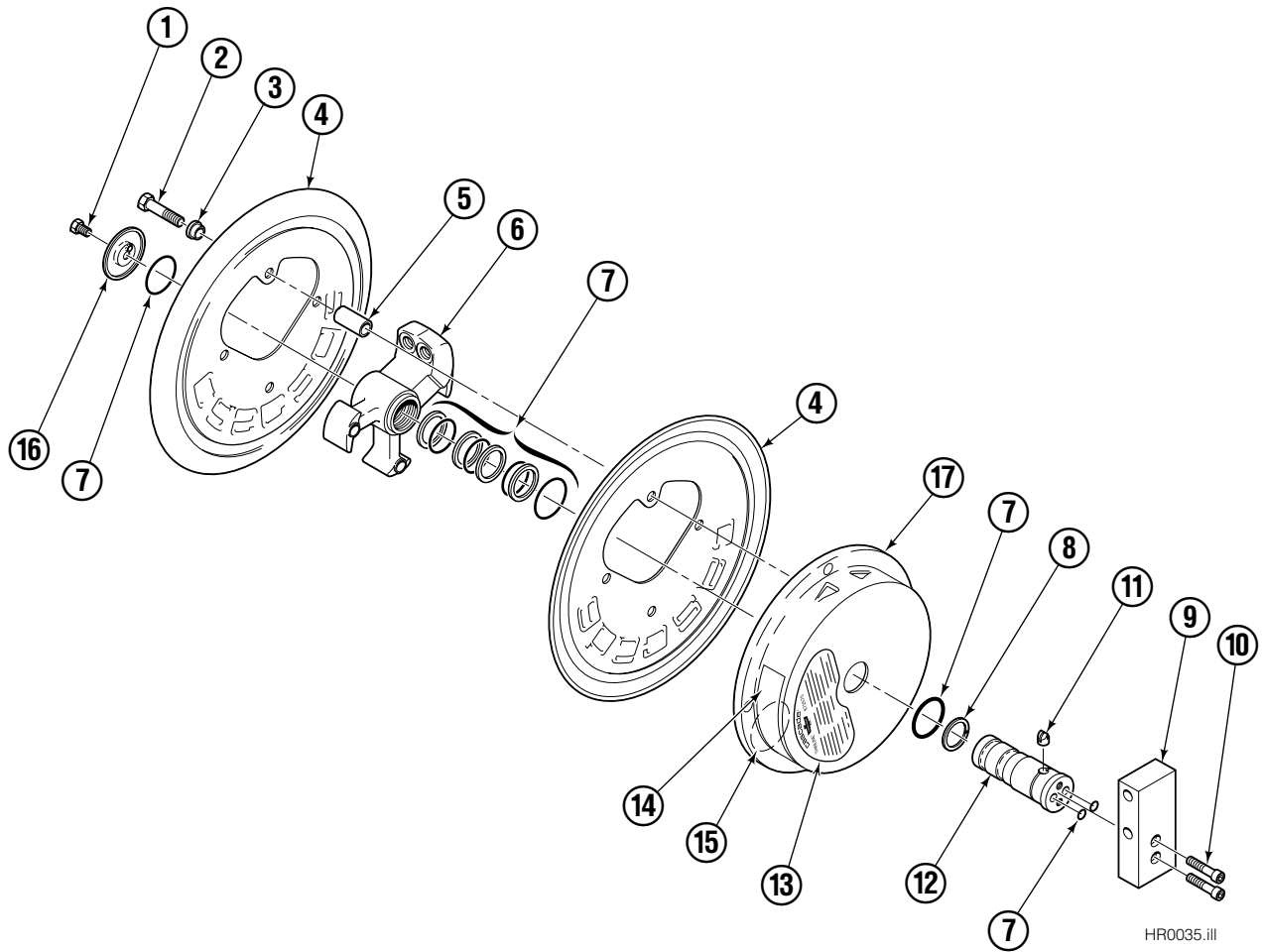
REF	QTY	PART NO.	DESCRIPTION
		673594	Hydraulic Supply Group
1	2	3599	Capscrew, 3/8 NC x .50 in.
2	1	673520	Carriage Block
3	1	673428	Clamp
4	1	673510	Hose Restraint Assembly
5	1	674288	Hose Up Connection Assembly ▲
6	1	673394	Twinline Hose Assembly
7	4	604511	Fitting, 6-6
8	1	672572	THINLINE Hose Reel, RH ●
9	1	673526	Mounting Block
10	1	685487	Mounting Bracket
11	2	622337	Capscrew, 1/2 NC x 3.00 in. GR5
12	2	6290	Lockwasher, 1/2
13	1	631162	Capscrew, 5/16 NC x 1.25 in. GR5
14	1	6287	Lockwasher, 5/16
15	1	744535	Clamp
16	1	744536	Spacer
17	1	744662	Bar
18	2	2178	Header Hose
19	2	674376	Washer

▲ See Hose Up Connection Assembly page for parts breakdown.

● See Hose Reel page for parts breakdown.

Reference: 673562 Hose Reel Group, 673590 Mounting,
673496 Hose Terminal, 696567 Hose Reel Kit.

Hose Reel Assembly

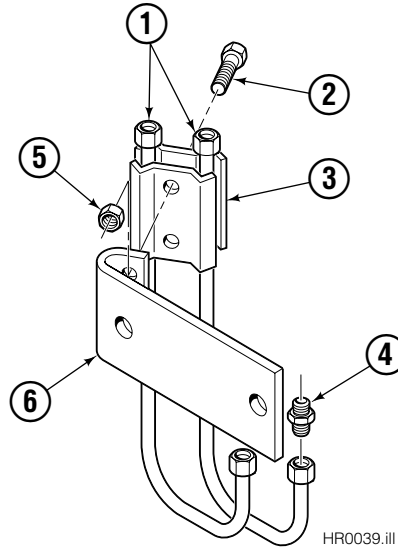


HR0035.iii

REF	QTY	PART NO.	DESCRIPTION
		672572	Hose Reel, No. 6-13, RH
1	1	672542	Capscrew, M8x10
2	4	768525	Capscrew, M8x40
3	4	672540	Sleeve
4	2	672567	Flange, 13 in. (330mm) dia.
5	1	672552	Hose Guide
6	1	672547	Hub
7	1	672563	Seal Service Kit
8	1	675610	Snap Ring
9	1	672551	Mounting Block
10	2	672550	Capscrew, M10
11	1	645982	Spring Retainer
12	1	672543	Shaft
13	1	673423	Nameplate, RH
14	1	655271	Patent Plate
15	1	673392	Warning Decal
16	1	672544	Cap
17	1	672578	Spring Assembly, RH

Hydraulic Accessories

Hose Terminal Up



REF	QTY	PART NO.	DESCRIPTION
		674288	Up Connection Kit
1	2	674371	Tube
2	2	3555	Capscrew, 1/4NCx1.00
3	2	674374	Clamp
4	2	2347	Fitting, 4-4
5	2	645986	Nut, 1/4
6	1	674373	Bracket

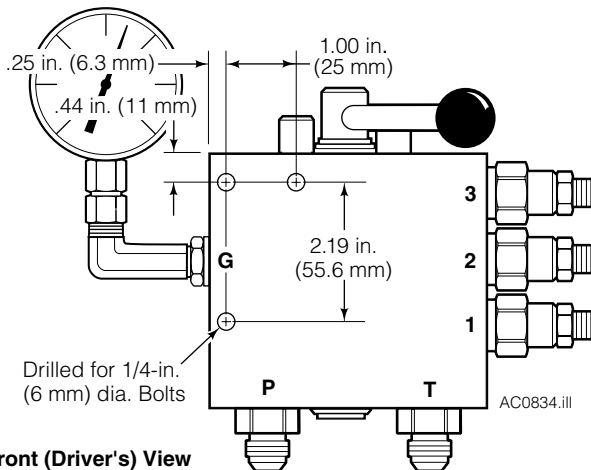


Installation Instructions

Four-Position Pressure Relief Valve 660412

This sheet provides installation instructions for the Four-Position Pressure Relief Valve 660412. The valve enables up to four (4) pressure selections, allowing the clamping force to be varied from load to load. Three pressure relief cartridges can be adjusted to relieve pressure between 100 and 3000 psi, a fourth position blocks flow to all relief cartridges enabling straight-through truck relief pressure. Maximum flow rate through the valve is 20 GPM.

- 1 Determine a convenient location on the truck cowl or safety cage upright, within safe reach and view of the driver (see illustration opposite). Use the mounting hole dimensions shown to mount the valve securely.



Front (Driver's View)

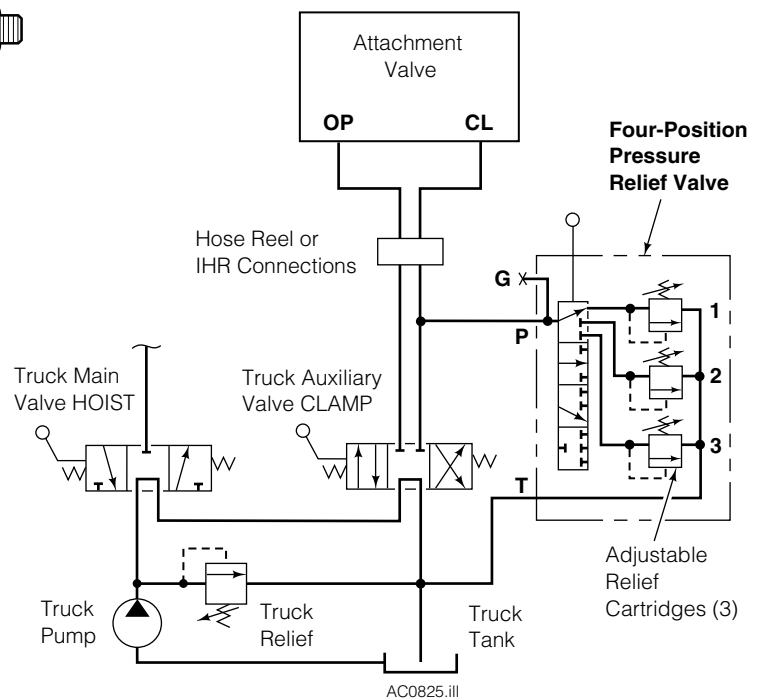
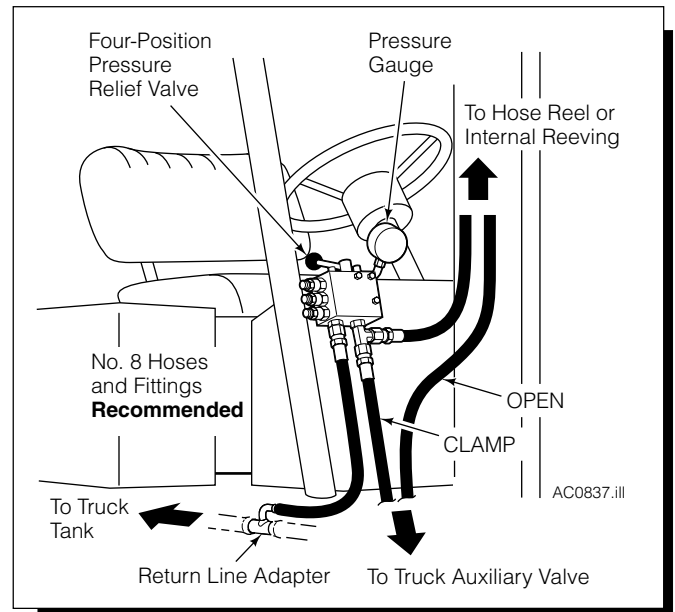


WARNING: Before removing hydraulic hoses, relieve pressure in the Attachment hydraulic system. Turn the truck off and move the auxiliary control lever several times in both directions.

- 2 Attach hoses and fittings between the Pressure Relief Valve, truck auxiliary valve, truck tank, and attachment valve using the diagram and hydraulic schematic. **No. 8 hoses and fittings with 13/32 in. (10 mm) minimum ID. recommended.**

CAUTION: A dedicated return-to-tank line is required from the relief valve 'TANK' port to the truck tank. Return Line Adapter Kits available:

Part No. 214062 (.75 in. dia. line)
Part No. 211745 (1.0 in. dia. line)
Part No. 214066 (1.25 in. dia. line)



Part No. 664827-R4

cascade[®] corporation

For Technical Support . . .

Call: 1-800-227-2233 Fax: 1-888-329-8207
 Internet: www.cascorp.com
 Write: Cascade Corporation, PO Box 20187, Portland, OR 97294

To Order Parts . . .

Call: 1-888-227-2233 Fax: 1-888-329-0234
 Internet: www.cascorp.com
 Write: Cascade Corporation, 2501 Sheridan Ave., Springfield, OH 45505

- 3** Four basic stop configurations are shown in the illustration opposite (relief valve mounted as shown in this sheet). Many different configurations are possible by rearranging the stops, or by sliding the lever within the valve spool. Position the stops for desired movement of the lever depending on your specific requirements.

IMPORTANT: Numbers stamped around base of lever correspond to relief valve cartridge selected. Positions 1 and 2 are duplicated and can be selected 180 degrees opposite from each other. Position 'X' blocks the flow to all relief valve cartridges so the valve has no effect. Truck relief pressure is then delivered to the attachment.

- 4** To preset the Valve relief cartridges, install a 5000 psi (345 bar) pressure gauge (Cascade Part No. 664158) in the Valve gauge port.

Sample Settings*

3-Position	4-Position
Pos. X – Not Available	Pos. X – 2300 (Truck Pressure)
Pos. 1 – 1400 psi	Pos. 1 – 1800 psi
Pos. 2 – 1600 psi	Pos. 2 – 1600 psi
Pos. 3 – 1800 psi	Pos. 3 – 1400 psi

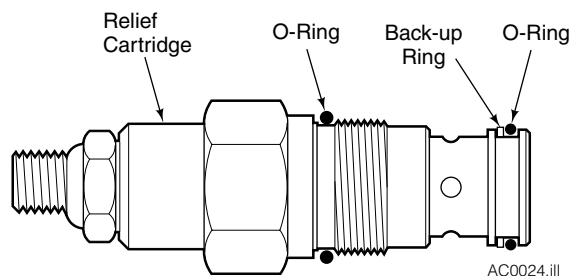
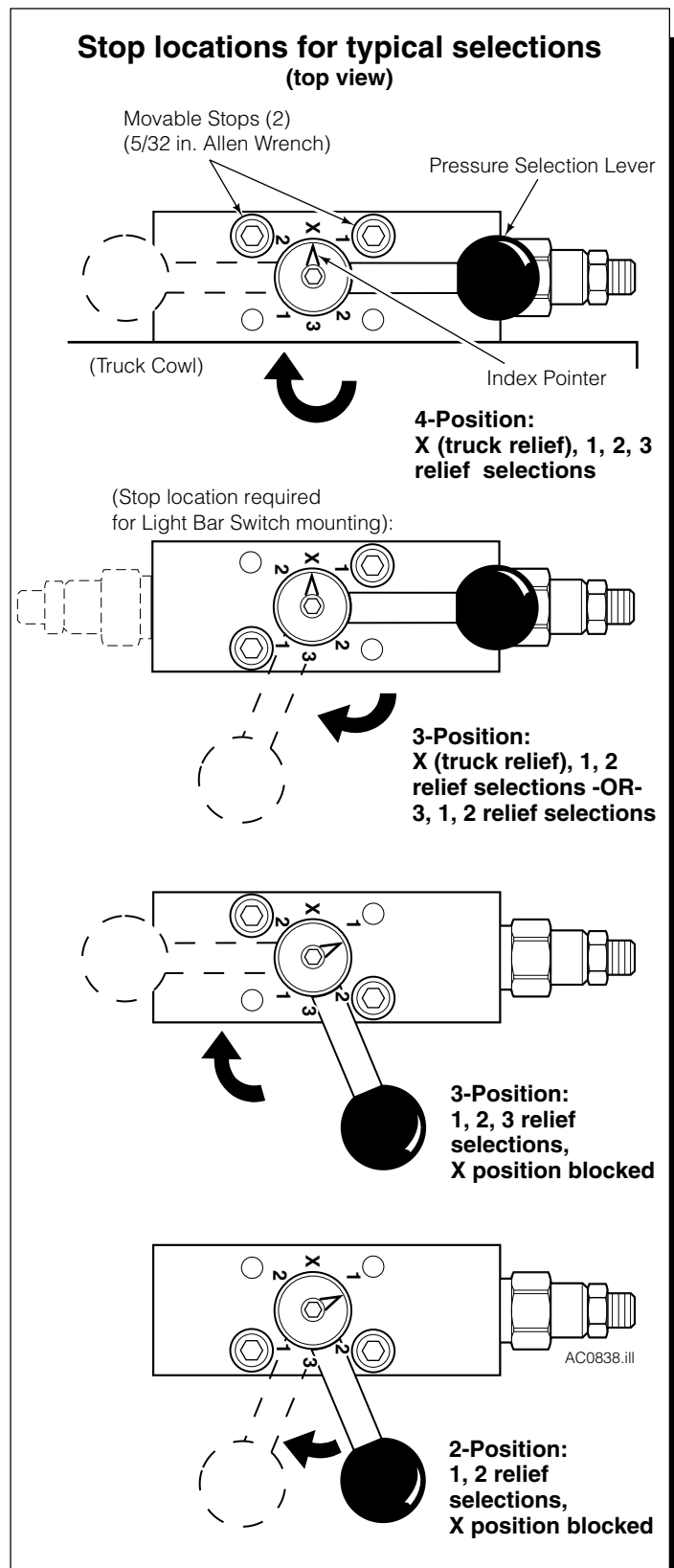
* **IMPORTANT: Cartridges are not factory pre-set.** Pressures must be adjusted for your application. Four (4) positions not available when Light Bar Switch is mounted on valve.

- 5** Shift the valve lever index pointer to position '1' stamped on the valve body.
- 6** Loosen the jam nut on the No. 1 relief cartridge. Adjust the relief cartridge (3/16-in. Allen hex wrench) inward (CW) to raise pressure or outward (CCW) to lower the pressure.
- 7** Clamp up on the load and check the pressure. Readjust as required. Tighten the jam nut.
- 8** Shift the valve lever pointer to position '2' stamped on the valve body. Repeat step 6 and 7 for No. 2 relief cartridge.
- 9** Shift the valve lever pointer to position '3' stamped on the valve body. Repeat step 6 and 7 for No. 3 relief cartridge.
- 10** With the valve lever pointer at position 'X', all ports to the relief valve cartridges are blocked, and the valve has no effect. Pressure to the attachment is determined by truck system relief pressure. The 'X' position selection may be blocked by positioning the stops as shown.

CAUTION: Do not remove the rotating spool from the valve body. Permanent damage will occur due to the spring-loaded detents and will void the warranty. Replace valve as a complete assembly.

Replacement Parts

Qty	Description	Part No.
3	Relief Cartridge with Seals	661676
3	Seal Service Kit	669597



Do you have questions you need answered right now? Call your nearest Cascade Parts Department. Visit us online at www.cascorp.com

**Cascade Corporation
U.S. Headquarters**
2201 NE 201st
Fairview, OR 97024-9718
Tel: 800-CASCADE (227-2233)
FAX: 888-329-8207

Cascade Canada Inc.
5570 Timberlea Blvd.
Mississauga, Ontario
Canada L4W-4M6
Tel: 905-629-7777
FAX: 905-629-7785

Cascade GmbH
Niederwippekühl 1
58579 Schalksmühle
Germany
Tel: 02355-50900
FAX: 02355-509020

Cascade Finland
A. Petreliuksenkatu 3
01370 Vantaa
Finland
Tel: 09-8361925
FAX: 09-8361935

**Cascade N.V.
Benelux Sales and Service**
Damsluisweg 56
PO Box 3009
1300 El Almere
The Netherlands
Tel: 036-5492950
FAX: 036-5492974

Cascade Kenhar Ltd.
3 Kelbrook Road
Parkhouse Ind. Estate
Openshaw,
Manchester M11 2DD
England
Tel: 0161-438-4020
FAX: 0161-438-4055

**Sales Scotland
Macade Systems Ltd.**
18 Melford Road
Righead Ind. Estate
Bellshill ML4 3LR
Scotland
Tel: 01698-845777
FAX: 01698-845888

Cascade (Africa) Pty. Ltd.
PO Box 625, Isando 1600
60A Steel Road
Sparton, Kempton Park
South Africa
Tel: 27-11-975-9240
FAX: 27-11-394-1147

Cascade Scandinavia AB
Hammarvägen 10
PO Box 124
S-56723 Vaggeryd
Sweden
Tel: 039-336950
FAX: 039-336959

**Cascade France
S.A.R.L. MHP**
1D Rue De Charaintru BP 18,
91360 Epinay-Sur-Orge
France
Tel: 01-6454-7500
FAX: 01-6454-7501

Cascade Hispania S.A.
Carrer 5, Sector C
Zona Franca Duanera
Poligono de la Zona Franca
08040 Barcelona, Spain
Tel: 93-264-07-30
FAX: 93-264-07-31

Cascade Italia S.R.L.
Via Dell'Artigianato 1
37050 Vago di Lavagno (VR)
Italy
Tel: 39-045-8989111
FAX: 39-045-8989160

Movimenta Lda.
Parque Industrial
Vale do Alecrim, Lote 108
2950-403 Palmela
Portugal
Tel: 351-212387340
FAX: 351-212387349

**Sales Switzerland
Fahrzeugbedarf**
8810, Horgen
Switzerland
Tel: 01-7279797
FAX: 01-7279798

Sales Poland
Targowa 35/61
03-728 Warszawa
Tel: 022-619 00 49
FAX: 022-619 00 49
Mobile Tel: 0501-27 29 55

Sales Russia
EMCG Material Handling
Equipment
Moscow
Tel: 095-795-2400
FAX: 095-795-2475
Email: emcg@emcg.ru

Cascade Japan Ltd.
5-5-41,
Torikai Kami
Settsu, Osaka
Japan, 566
Tel: 81-726-53-3490
FAX: 81-726-53-3497

Cascade Korea
121B 9L Namdong Ind.
Complex, 691-8 Gojan-Dong
Namdong-Ku
Inchon, 405-310 Korea
Tel: 82-32-821-2051
FAX: 82-32-821-2055

Cascade Australia
1445 Ipswich Road
Rocklea, QLD 4107
Australia
Tel: 1-800-227-223
FAX: 617-3373-7333

Cascade New Zealand
15 Ra Ora Drive
East Tamaki, Auckland
New Zealand
Tel: 64-9-273-9136
FAX: 64-9-273-9137

Cascade-Xiamen
No. 668 Yangguang Rd.
Xinyang Industrial Zone
Haicang, Xiamen City
Fujian Province
P.R. China 361026
Tel: 86-592-651-2500
FAX: 86-592-651-2571

**Sunstream Industries
Pte Ltd.**
No. 3 Tuas Link 1
2263
Singapore
Tel: 65-6863-3488
FAX: 65-6863-1368

**Cascade do Brasil
Distribuidora de Garras
e Garfos LTDA**
R. Joao Guerra, 134
Macuco-Santos
Sao Paulo - SP
Brasil 11015-130
Tel: 55-11-5016-2484
Fax: 55-11-5013-2809

