



Parts Manual

Model _____ **Paper Roll Clamp**

Serial Number _____ **25F-RCF-06AR0**

cascade[®]
corporation

For Technical Assistance call: 800-227-2233, Fax: 888-329-8207

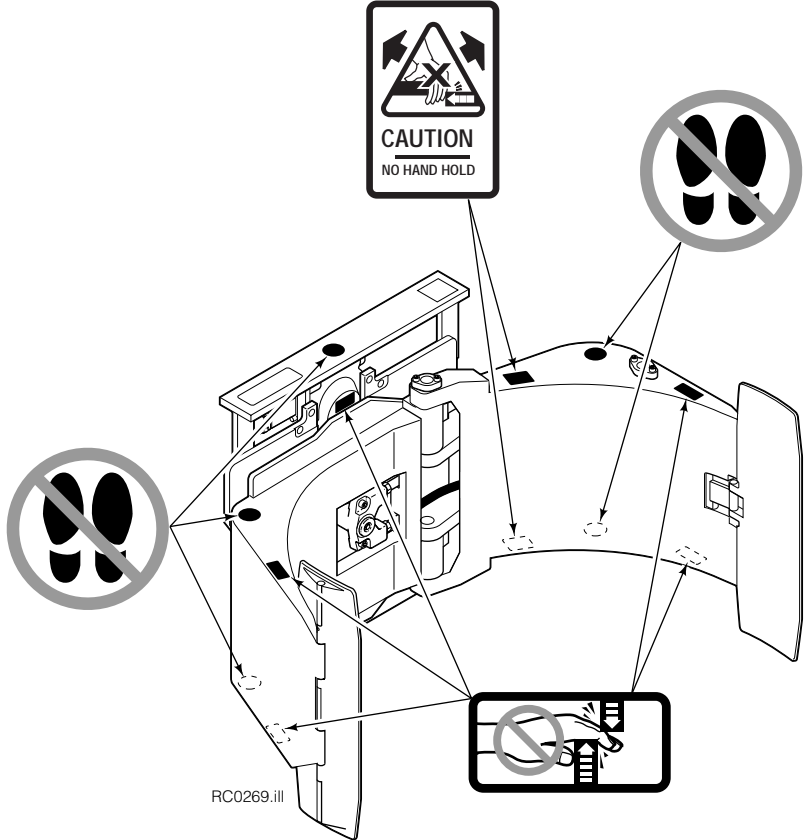
To Order Parts call: 888-227-2233, Fax: 888-329-0234

OR

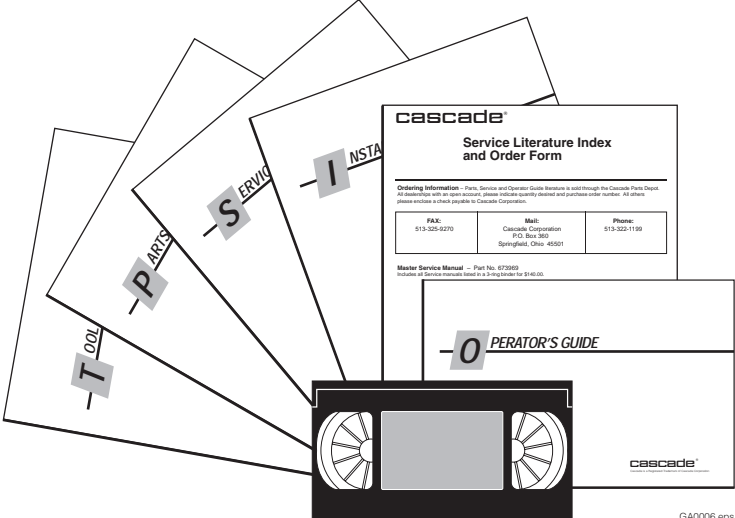
Write: Cascade Corporation, P.O. Box 20187, Portland, OR 97220

Internet: www.cascorp.com

Safety Decals

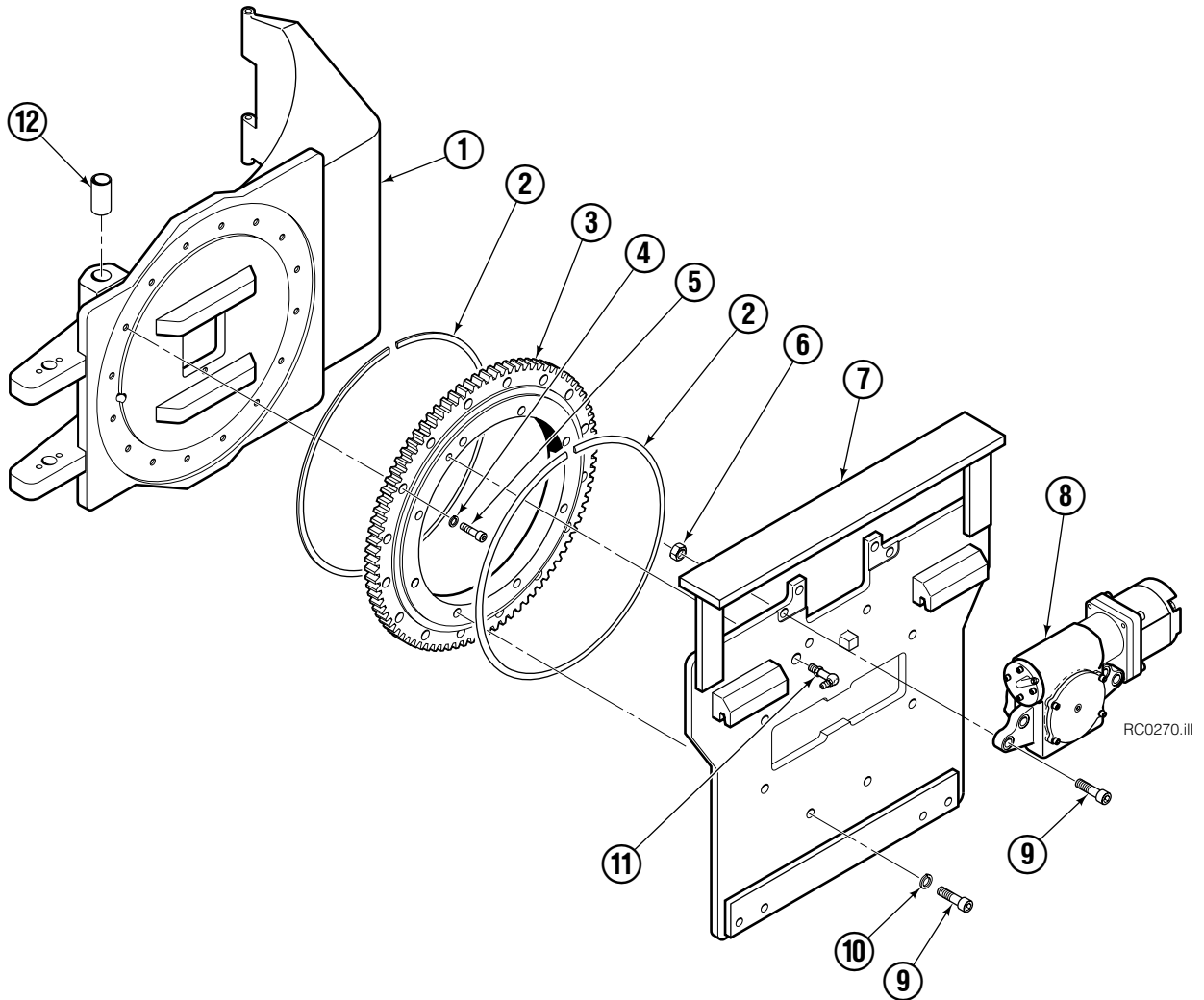


Publications



25F	
PART NO.	DESCRIPTION
681466	Service Manual
674509	Operators Guide
674510	Installation Instructions
679929	Tool Catalog
673964	Literature Index Order Form

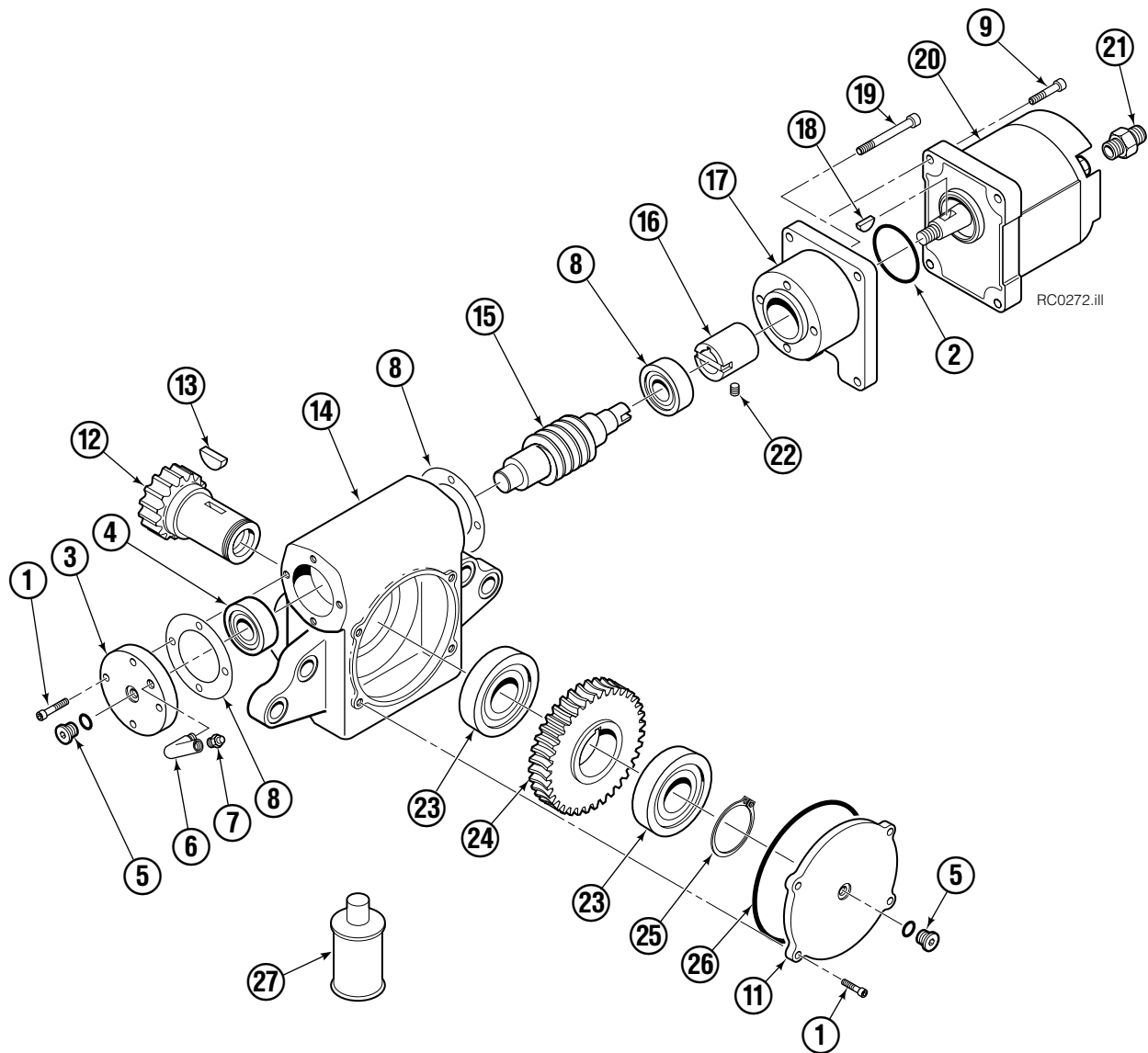
Base Unit Group



25F			
REF	QTY	PART NO.	DESCRIPTION
		206767	Base Unit Group – 51 in.◆
1	1	206706	Frame – 51 in.◆
2	2	673043	■ Seal
3	1	201082	Bearing Assembly
4	16	678991	Lockwasher
5	16	769571	Capscrew
6	4	678990	Nut
7	1	201099	Baseplate
8	1	679106	Drive Group ▼
9	12	769577	Capscrew
10	8	678992	Lockwasher
11	1	201080	■ Grease Fitting
12	4	676163	● Bearing

- ◆ Maximum roll diameter.
- Included in Frame 206706.
- Included in Bearing Assembly 201082.
- ▼ See Drive Group page for parts breakdown.

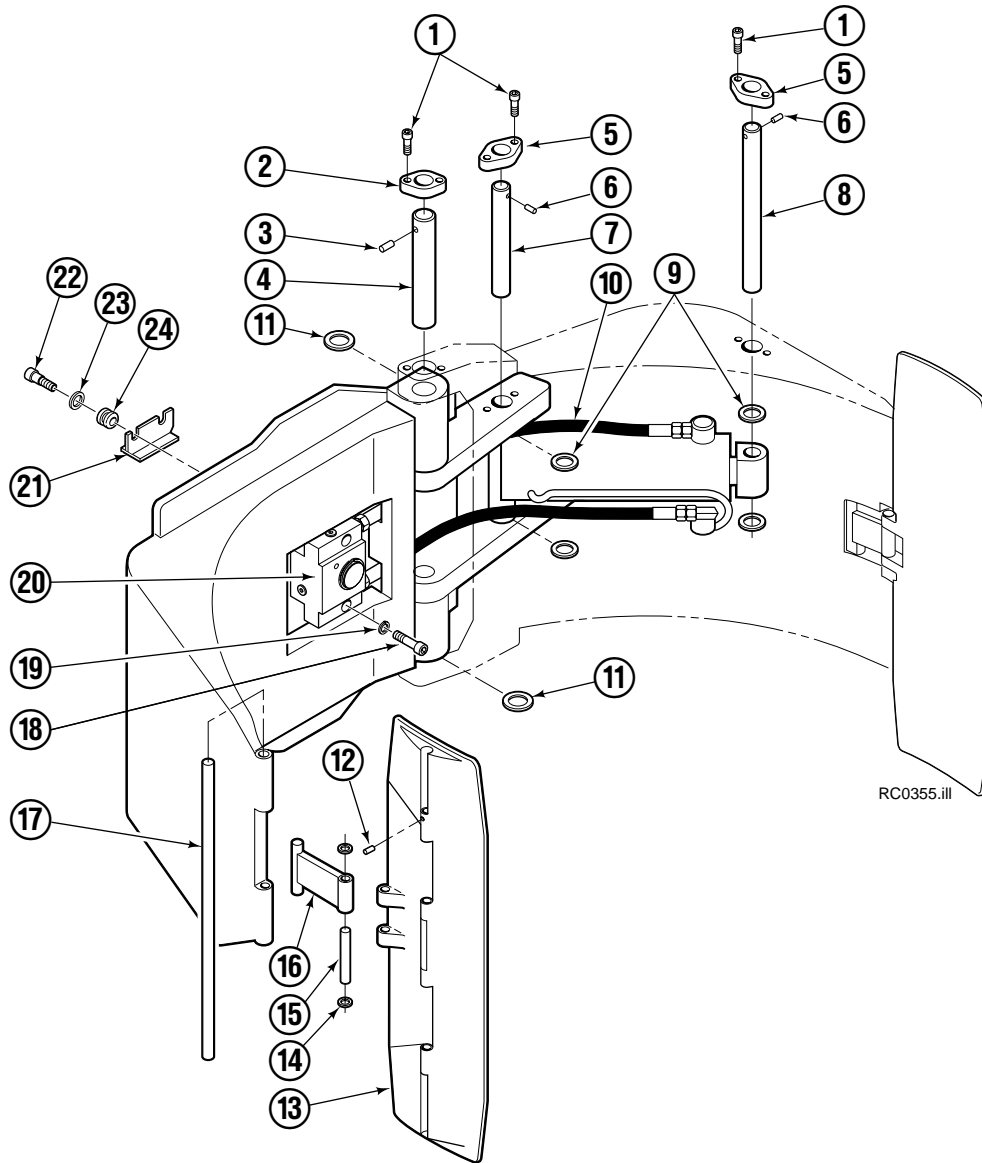
Drive Group



25F

REF	QTY	PART NO.	DESCRIPTION	REF	QTY	PART NO.	DESCRIPTION
		679106	Drive Group	15	1	679109	Worm
1	4	768786	Capscrew, M6 X 25-8.8	16	1	679118	Coupling
2	1	643352	O-Ring	17	1	679115	Adapter
3	1	679114	End Cap	18	1	678999	Key
4	2	678985	Bearing	19	4	768792	Capscrew, M6 X 60-8.8
5	2	663694	Fitting, 3	20	1	206418	Motor
6	1	6688	Fitting, 2	21	2	626505	Fitting, 10-6
7	1	644010	Relief Fitting	22	1	678994	Setscrew
8	2	679808	Shim-.002 in.(.05mm)	23	2	678986	Bearing
9	4	768787	Capscrew, M6 X 30-8.8	24	1	679110	Worm Gear
10	4	752845	Capscrew, M6 X 16-8.8	25	1	678987	Snap Ring
11	1	679112	Cover	26	1	643368	O-ring
12	1	679111	Pinion	27	1	656300	Gear Lube (48 oz.)
13	1	201815	Key			206419	Motor Shaft Seal Kit
14	1	679107	Gear Case			206421	Motor Service Kit

Common Components

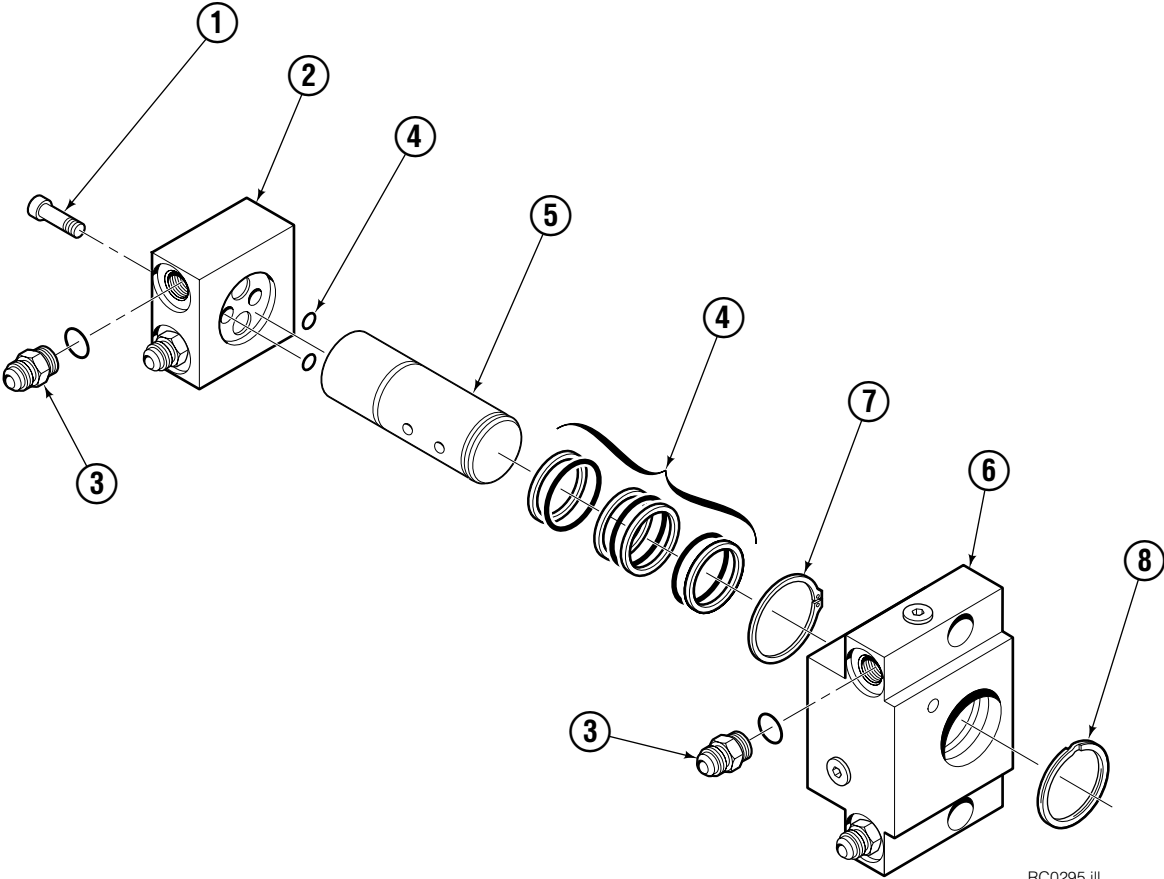


25F

REF	QTY	PART NO.	DESCRIPTION	REF	QTY	PART NO.	DESCRIPTION
		227930	Common Components	13	1	680031	Contact Plate - SA ●
1	8	768809	Capscrew, M10 x 16	13	1	207430	Contact Plate - LA ●
2	2	206590	Retainer	14	4	678988	Snap Ring
3	2	674256	Drive Pin	15	2	679812	Pin
4	2	680028	Pin	16	2	680033	Link
5	2	206589	Retainer	17	2	680032	Pin
6	2	673385	Drive Pin	18	2	768810	▲ Capscrew
7	1	680029	Pin	19	2	680030	▲ Lockwasher, M10
8	1	675018	Pin	20	1	206600	▲ Revolving Connection ■
9	12	674257	Shim, .06 in.	21	1	209067	▲ End Block Bracket
10	2	680027	▲ Hose, 6-6	22	2	208780	▲ Shoulder Bolt
11	4	660200	Shim, .06 in.	23	2	209043	▲ Flat Washer
12	2	201732	Drive Pin	24	2	208765	▲ Grommet

- See Revolving Connection page for parts breakdown.
- ▲ Included in Revolving Connection Hose Group 207444.
- Not Included in Common Components.

Revolving Connection

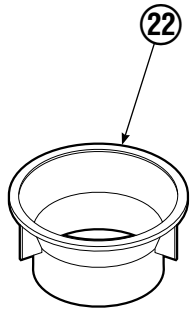
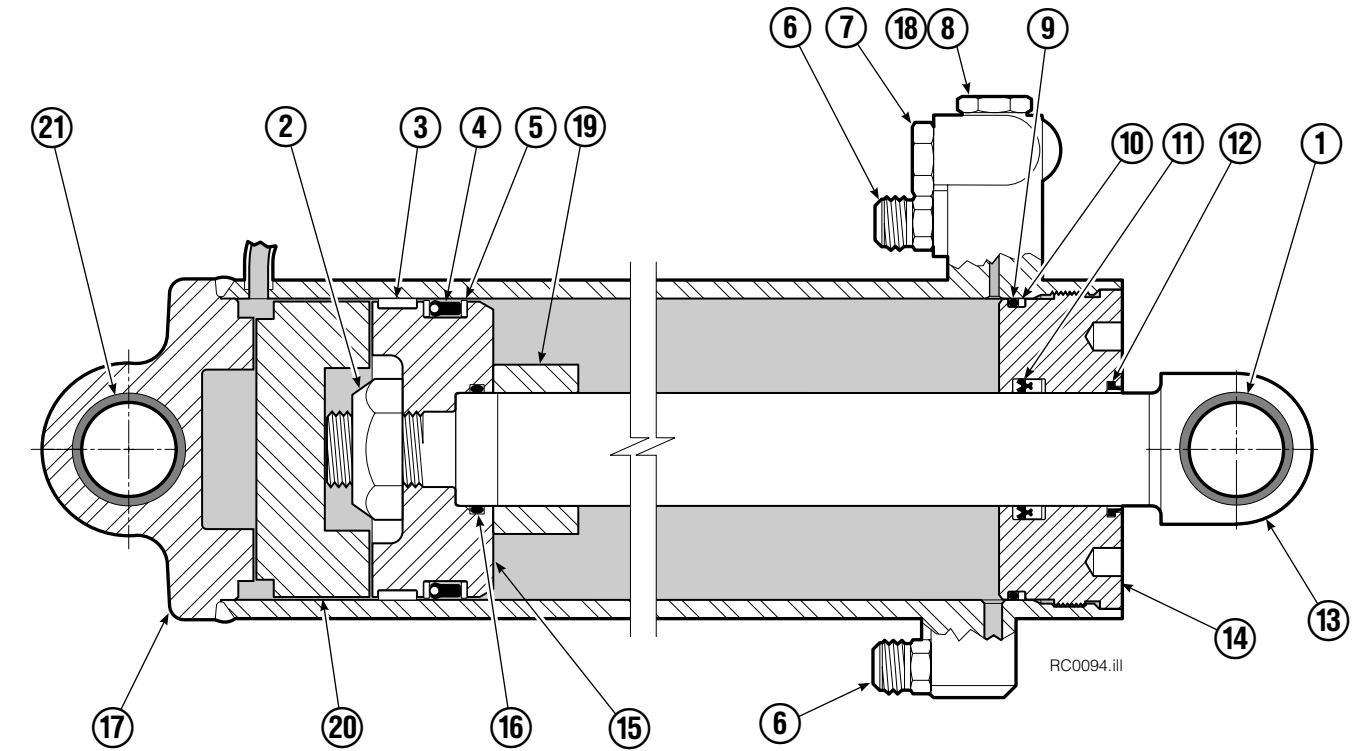


RC0295.ill

25F			
REF	QTY	PART NO.	DESCRIPTION
		206600	Revolving Connection Assembly ■
1	2	768796	Capscrew
2	1	687301	End Block
3	4	604511	Fitting, 6-6
4	1	206599	Service Kit
5	1	206594	Shaft
6	1	206595	Body
7	1	7341	Snap Ring
8	1	3138	Snap Ring

■ Body is stamped 206596.

Cylinder

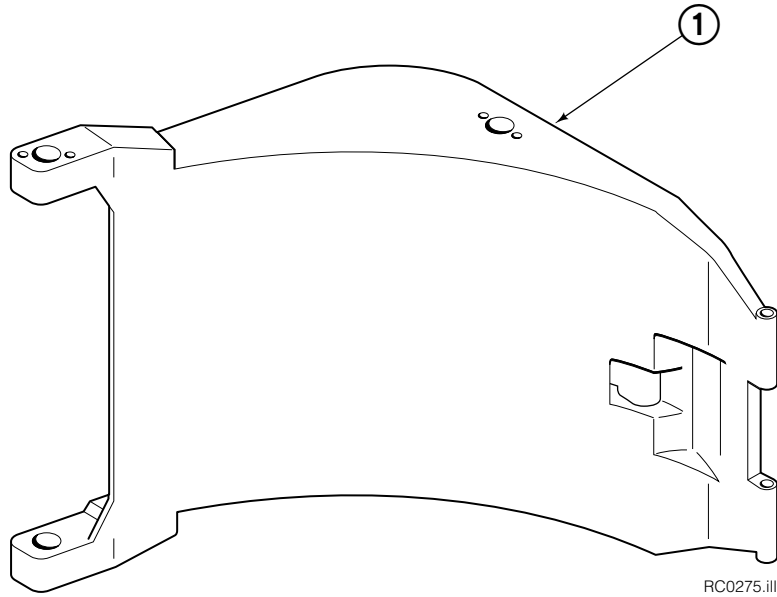


25F			
REF	QTY	PART NO.	DESCRIPTION
		580137	Cylinder Assembly
1	1	674843	Bearing
2	1	560997	Nut
3	1	660769	◆ Bearing
4	1	662462	◆ Seal
5	2	638295	◆ Back-Up Ring
6	2	604511	Fitting, 6-6
7	1	556852	Fitting, 4
8	1	557212	Check Valve
9	1	2801	◆ O-Ring
10	1	583977	◆ Back-Up Ring
11	1	554598	◆ Seal
12	1	628047	◆ Wiper
13	1	557399	Rod
14	1	555724	Retainer
15	1	557389	Piston
16	1	2722	◆ O-Ring
17	1	557411	Shell
18	1	667516	Check Valve Service Kit
19	1	—	Spacer
20	1	—	Spacer
21	2	675006	Bearing
22	1	669243	Seal Loader
		555725	Service Kit

◆ Included in Service Kit 555725.

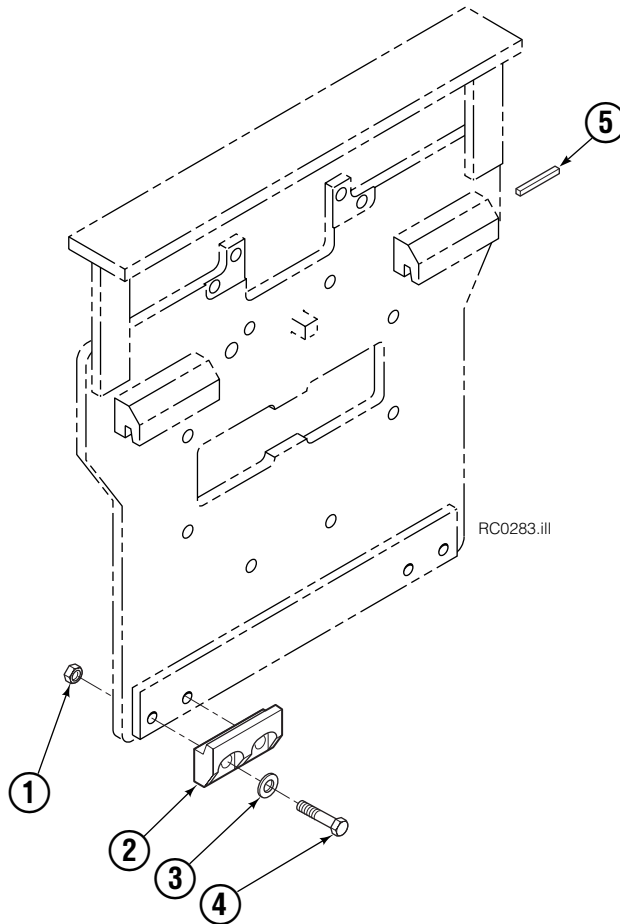
Ref: S-5320, S-5321

Arms



25F			
REF	QTY	PART NO.	DESCRIPTION
1	1	206681	Arm

Bolt-On Mounting Group



Class II, 1.5°			
REF	QTY	PART NO.	DESCRIPTION
		680022	Mounting Group
1	4	678990	Nut, M16
2	2	675968	Hook
3	4	667225	Washer, 5/8
4	4	678996	Capscrew, M16 x 60
5	1	669344	Stop Kit

Do you have questions you need answered right now? Call your nearest Cascade Parts Department. Visit us online at www.cascorp.com

Cascade Corporation
2501 Sheridan Avenue
Springfield, OH 45505
Tel: 888-CASCADE (227-2233)
FAX: 888-329-0234

Cascade Canada Inc.
5570 Timberlea Blvd.
Mississauga, Ontario
Canada L4W-4M6
Tel: 905-629-7777
FAX: 905-629-7785

Cascade GmbH
D-41199 Monchengladbach
Klosterhofweg 52
Germany
Tel: 49-216-668230
FAX: 49-216-6682323

Cascade Finland
Albert Petreliuksenkatu 3
01370 Vantaa
Finland
Tel: 358-9-836-1925
FAX: 358-9-836-1935

**Cascade N.V.
European Headquarters**
P.O. Box 3009
1300 El Almere
Damsluisweg 56
1332 ED Almere
The Netherlands
Tel: 31-36-5492911
FAX: 31-36-5492964

**Cascade N.V.
Benelux Sales and Service**
P.O. Box 3009
1300 El Almere
Damsluisweg 56
1332 ED Almere
The Netherlands
Tel: 31-36-5492950
FAX: 31-36-5492974

Cascade (UK) Ltd.
15, Orgreave Crescent
Dore House Industrial Estate
Handsworth
Sheffield S13 9NQ
England
Tel: 742-697524
FAX: 742-695121

Cascade Scandinavia AB
Box 124
Hammarvägen 10
567 23 Vaggeryd
Sweden
Tel: 42-0-393-36950
FAX: 46-0-393-36959

Cascade Norway
Østerliveien 37A
1153 Oslo
Norway
Tel: 47-22-743160
FAX: 47-22-743157

Cascade France S.A.R.L.
1D Rue De Charaintru
BP 18, 91360 Epinay-Sur-Orge
Morangis Cedex, France
Tel: 33-1- 64547500
FAX: 33-1-64547501

Cascade Hispania S.A.
Carrer 5 Sector C
Zona Franca Duanera
Poligono de la Zon Franca
08040 Barcelona, Spain
Office No. 256
Tel: 93-264-07-30
FAX: 93-264-07-31

Cascade Japan Ltd.
5-5-41,
Torikai Kami
Settsu, Osaka
Japan, 566
Tel: 81-726-53-3490
FAX: 81-726-53-3497

Cascade Korea
108B, Namdong Ind Complex
658-3 Gojan-Dong
Namdong-Gu
Inchon, 405-310 Korea
Tel: 82-32-821-2051
FAX: 82-32-821-2055

Cascade Australia
1445 Ipswich Road
Rocklea, QLD 4106
Australia
Tel: 1-800227-223
FAX: (07) 3373-7333

Cascade New Zealand
15 Ra Ora Drive
East Tamaki, Auckland
New Zealand
Tel: 9-273-9136
FAX: 9-273-9137

Cascade (Africa) Pty. Ltd.
P.O. Box 625, Isando 1600
60A Steel Road
Sparton, Kempton Park
South Africa
Tel: 27-11-975-9240
FAX: 27-11-394-1147

Cascade-Xiamen
No. 668 Yangguang Rd.
Xinyang Industrial Zone
Haicang, Xiamen City
Fujian Province
P.R. China 361026
Tel: 86-592-651-2500
FAX: 86-592-651-2571

**Cascade (Singapore)
Trading Co.**
Four Seasons Park
Autumn Block - Apt. 1802
12 Cuscaden Walk
Singapore
Tel: 65-834-1935
FAX: 65-834-1936

