

Technical Bulletin

One-Piece Bushing Conversion Kits

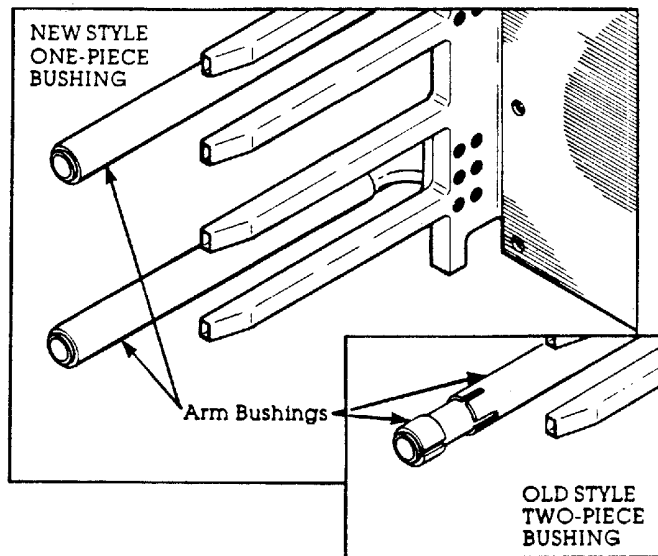
Field installation kits are now available to convert the two-bushing arm bars of Cascade sliding arm attachments to a single-bushing configuration. The new Cascade single-bushing design provides the arm bars of sliding arm attachments with greater bearing surface than with the two-bushing design. In addition, the single-bushing design features positive retainment to reduce the problem of bushing disengagement.

Each one-piece bushing field installation kit includes a pair of end caps, bushings, retainer hardware, and complete installation instructions. To perform the installation, it is necessary to saw a small portion off the end of the arm bars and weld on new end caps. Grind the welds smooth, then slip on the new

bushings and secure with the retainers. The accompanying diagram illustrates the difference between the two-piece bushings and the new, one-piece design.

To select the appropriate conversion kit for your requirements, on the accompanying chart, locate your attachment model and the conversion kit number listed for it.

NOTE: Each kit contains enough hardware to convert two arm bars. Therefore, if you wish to convert both **arms** of an attachment, you will need to order two conversion kits.



Attachment Model	Conversion Kit No.
PAPER ROLL CLAMPS	
C3P	C-665010
C4P	C-663634
C5P	C-663602
C6P	C-663556
CARTON CLAMP	
C3G, 35C	C-663628
C6G	C-663675
20C	C-665011
60C	C-663556
APPLIANCE CLAMP	
20C	C-663628
CLAMPS FOR BOLT-ON ARMS	
C2B, C2S, C2R	C-665038
C3B, C3S, C3R	C-665011
C4B, C4S, C4R	C-663628
C6B, C6S, C6R	C-663675
PULP BALE CLAMP	
C4B, C4S	C-665008
C6B, C6S	C-663675
TURNAFORK	
C4T	C-663628
DOCKHAND	
C4S, C4P	C-663634

cascade[®]

For Technical Assistance . . .

Call: 1-800-CASCADE or 503-669-6300

OR

Write: Cascade Corporation, P.O. Box 20187, Portland, OR 97220

To Order Parts . . .

Call: 513-322-1199

OR

Write: Cascade Corporation, P.O. Box 360, Springfield, OH 45505