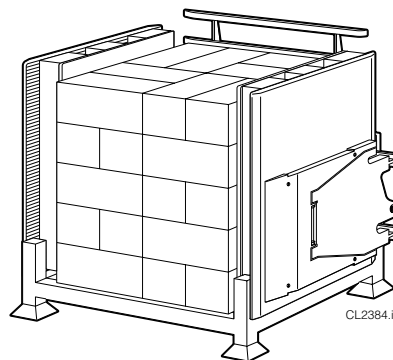
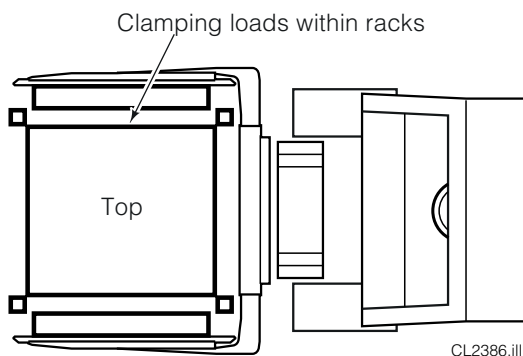




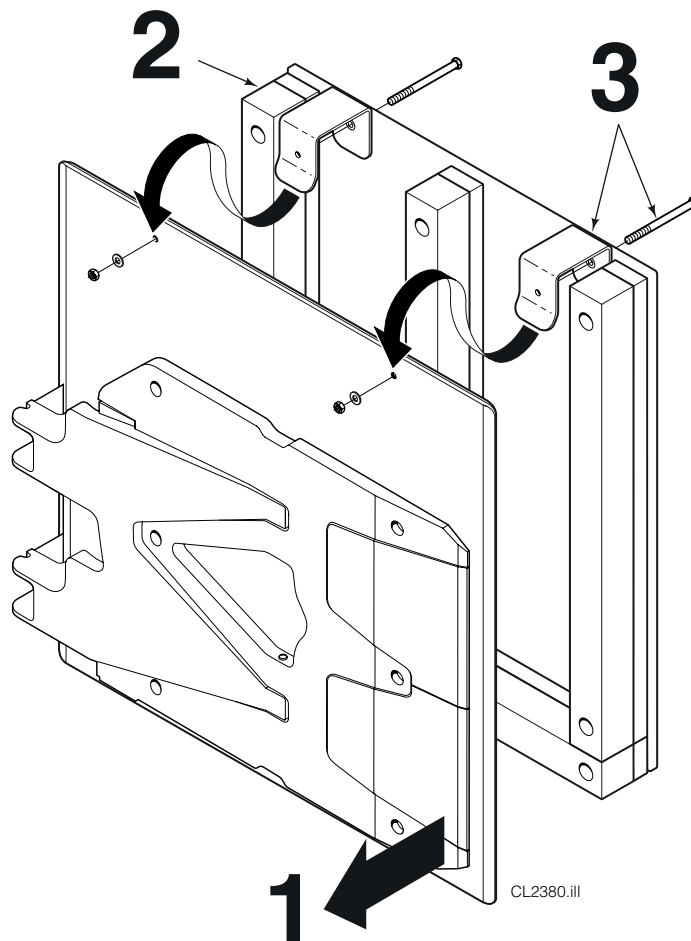
Installation Instructions

Inner Contact Pads for Load Clamping in Racks

This sheet describes the installation of Inner Contact Pads. The inner contact pads mount to the inside of the existing contact pads using existing holes. The inner contact pads allow clamping loads within racks.



- 1 Open the arms to allow installation of the new inner contact pads.
- 2 Position the pads on the inside of the existing contact pads.
- 3 Install the top brackets, capscrews, washers and nuts to the top holes of the new inner contact pads and the outer contact pads.



Part No. 6034082

cascade®
corporation

For Technical Support . . .

Call: 1-800-227-2233

OR

Write: Cascade Corporation, P.O. Box 20187, Portland, OR 97294

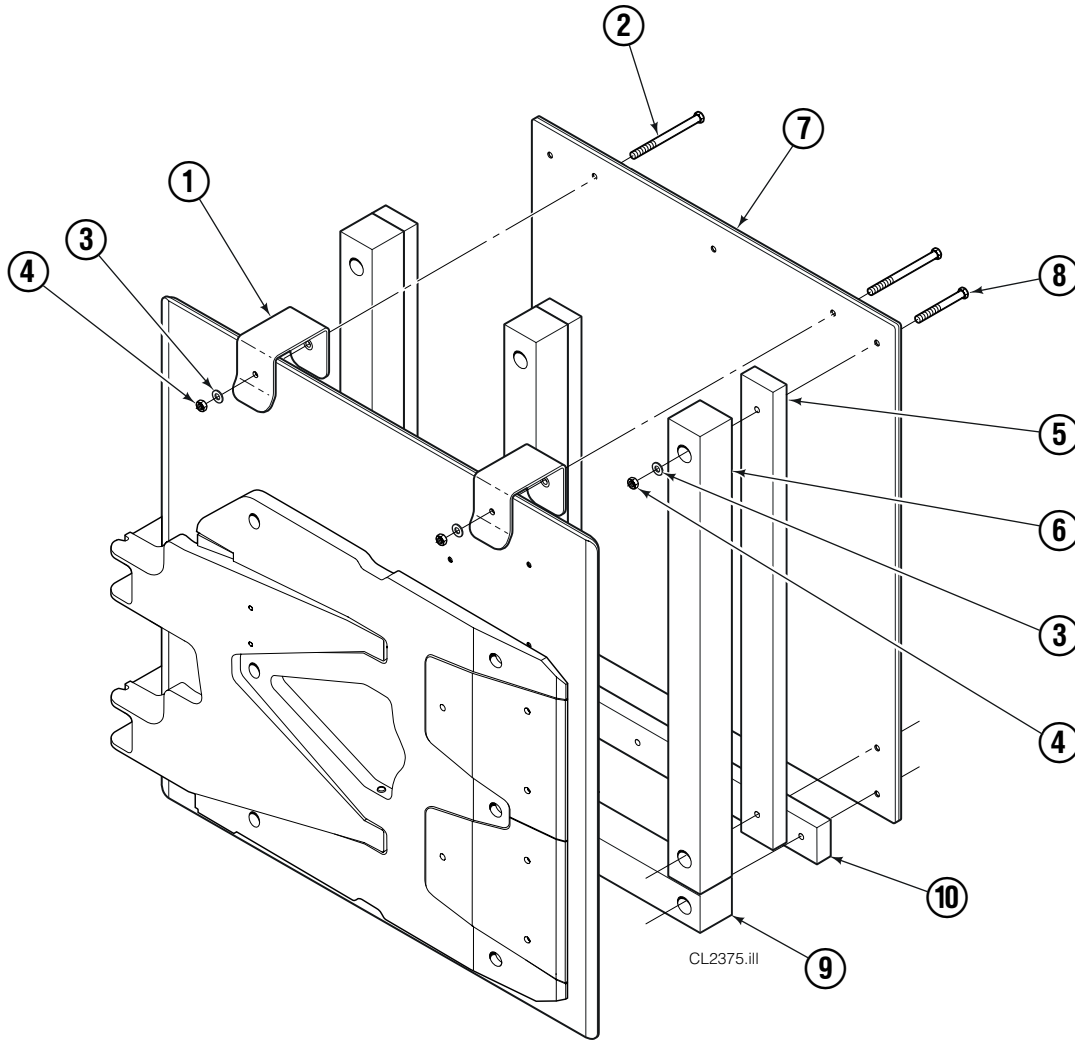
To Order Parts . . .

Call: 1-888-227-2233

OR

Write: Cascade Corporation, 2501 Sheridan Ave., Springfield, OH 45505

Inner Contact Pad Assembly



REF	QTY	PART NO.	DESCRIPTION
		6029215	Contact Pad Assembly
1	2	6029139	Hanger
2	2	6029521	Capscrew, M12 x 180
3	11	202348	Washer
4	11	763025	Nut, M
5	3	6032724	Wood Block
6	3	6032720	Wood Block
7	1	6029109	Contact Pad
8	9	6029560	Capscrew, M12 x 125
9	4	6031514	Wood Block
10	4	6029108	Wood Block