



Parts Manual

Model Single-Double Pallet Handler

Serial Number 50D-ES-093

cascade®

For Technical Assistance call: 800-227-2233, Fax: 888-329-8207

To Order Parts call: 888-227-2233, Fax: 888-329-0234

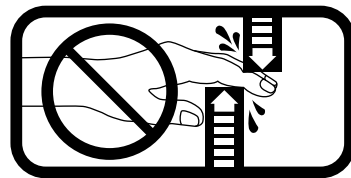
OR

Write: Cascade Corporation, P.O. Box 20187, Portland, OR 97220

Safety Decals

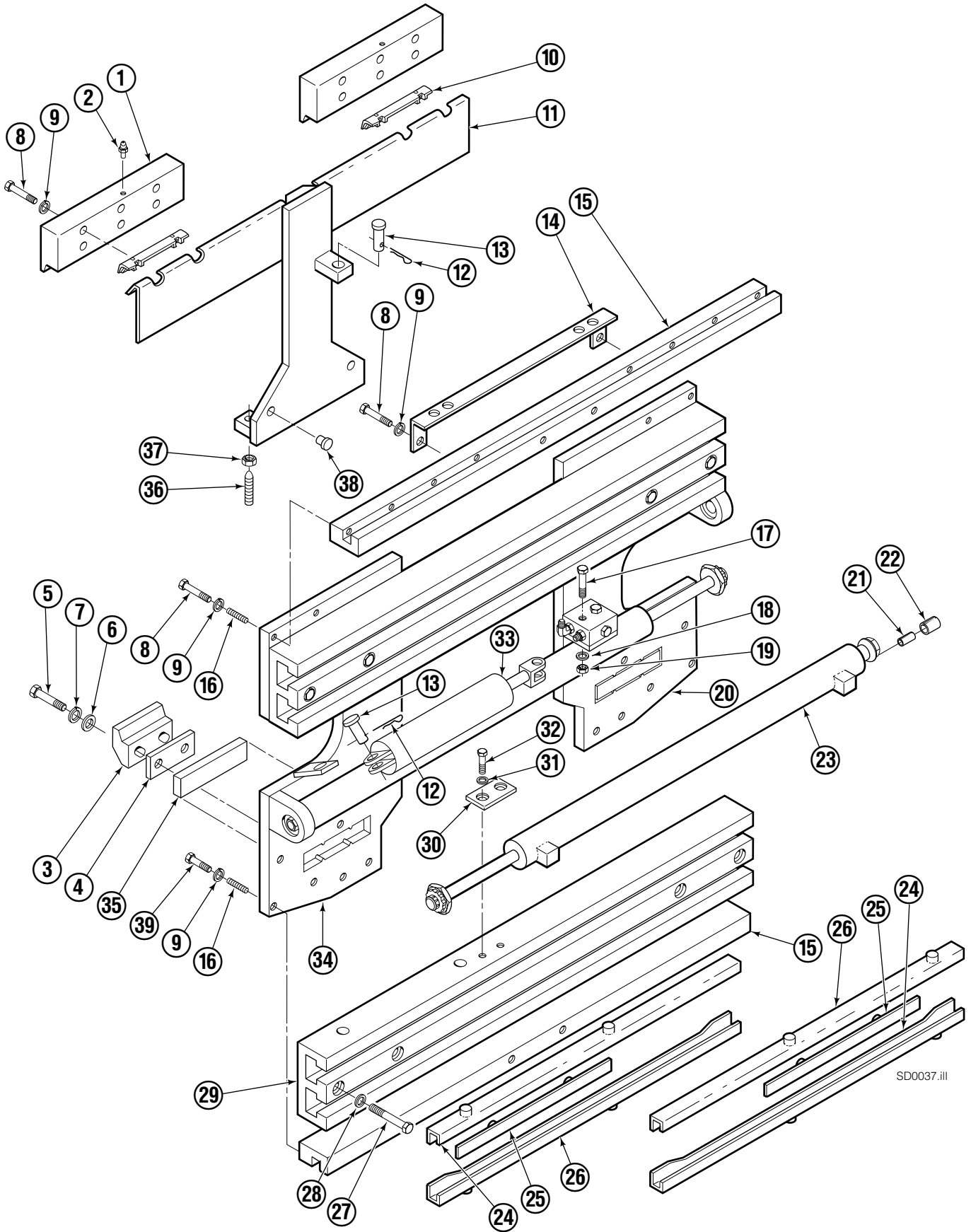


Part No. 679150
(1 Place & 1 Optional)



Part No. 665595
(2 Place & 2 Optional)

Base Unit and Mounting ITA Class II



SD0037.III

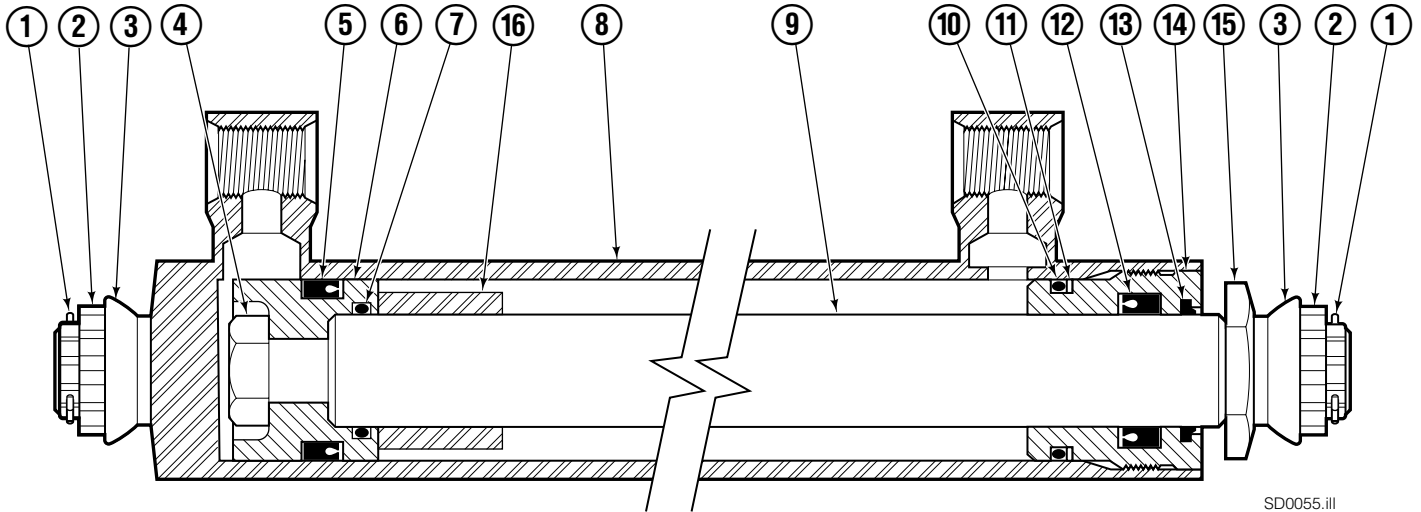
Base Unit and Mounting ITA Class II

50D							
REF	QTY	PART NO.	DESCRIPTION	REF	QTY	PART NO.	DESCRIPTION
		205239	Base Unit Group	19	2	6097	Nut
		205238	Common Parts Group	20	1	204285	Mounting Plate-LH
		204275	Mounting Group	21	2	7962	Roll Pin
1	2	204211	Upper Hook	22	2	7961	Roll Pin
2	2	7403	Grease Fitting	■23	2	204200	Cylinder
3	2	675968	Lower Hook	24	4	668910	Bearing
4	2	204213	Spacer	25	4	668911	Bearing
5	4	667808	Capscrew, 5/8NCx2.0 GR8	26	4	667663	Bearing
6	4	667225	Washer	27	8	667909	Capscrew, 1/2NCx3.0
7	4	6292	Lockwasher	28	8	667910	Washer
8	20	643539	Capscrew, 1/2NCx1.75 GR8	29	2	204255	Frame
9	30	6290	Lockwasher, 1/2	30	2	209427	Stop
10	2	671165	Bearing	31	4	6288	Lockwasher, 3/8
11	1	204201	Anchor	32	4	643524	Capscrew, 3/8NCx.75 GR8
12	2	672726	Cotter Pin	◆33	1	675548	Sideshift Cylinder
13	2	678525	Pin	34	1	204218	Mounting Plate-RH
14	1	205227	Bracket	35	2	204212	Lower Bearing
15	2	205222	Channel	36	2	5027	Setscrew
16	4	5010	Setscrew	37	2	5932	Nut
17	2	3559	Capscrew, 1/4NCx2.0 GR5	38	2	200762	Thrust Plug
18	2	6201	Washer, 1/4	39	6	643538	Capscrew, 1/2NCx1.50 GR8

■ See Cylinder page for parts breakdown.

◆ See Sideshift Cylinder page for parts breakdown.

Cylinder

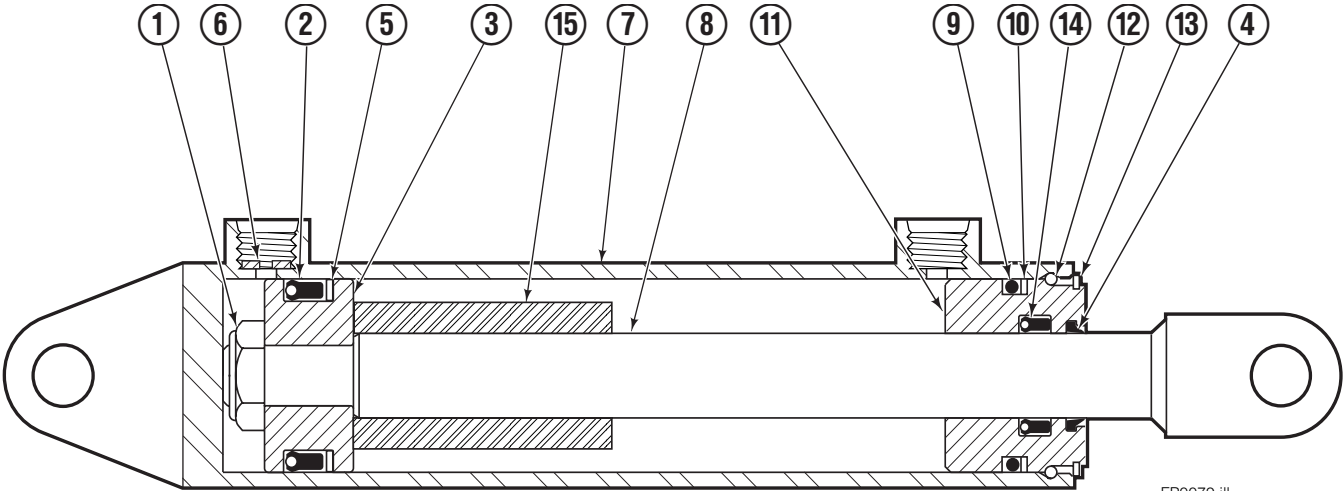


SD0055.ill

50D			
REF	QTY	PART NO.	DESCRIPTION
		204200	Cylinder Assembly
1	2	6510	Cotter Pin
2	2	667624	Retainer
3	2	667625	Nut
4	1	667623	Nut
■ 5	1	557598	Seal
6	1	559702	Piston
■ 7	1	2716	O-Ring
8	1	559662	Shell
9	1	416991	Rod
■ 10	1	2722	O-Ring
■ 11	1	615126	Back-up Ring
■ 12	1	662448	Seal
■ 13	1	636853	Wiper
14	1	413799	Retainer
15	1	667626	Washer
16	1	---	Spacer
		560729	Service Kit

■ Included in Service Kit 560729.

Sideshift Cylinder



FP0079.iii

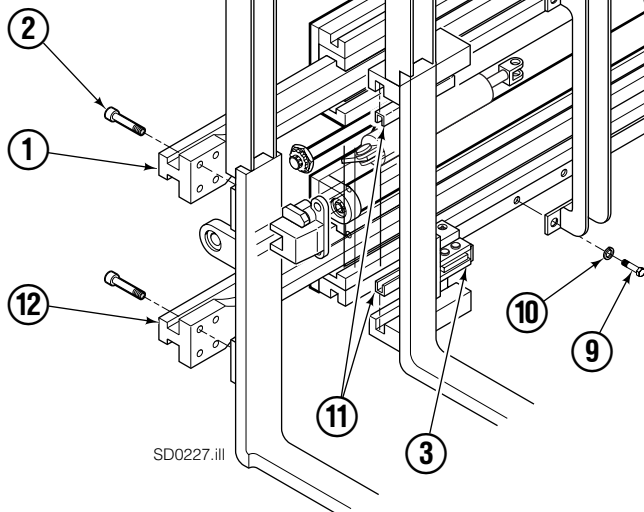
REF	QTY	PART NO.	DESCRIPTION
		675548	Cylinder Assembly
1	1	553857	Nut
■ 2	1	662452	Seal
3	1	553501	Piston
■ 4	1	636851	Wiper
■ 5	1	638247	Back-up Ring
6	1	675550	Washer (orifice .085)
7	1	675549	Shell
8	1	553449	Rod
■ 9	1	2785	O-Ring
■ 10	1	615128	Back-up Ring
11	1	553500	Retainer
12	1	553856	Retaining Ring
13	1	7202	Snap Ring
■ 14	1	641835	Seal
15	1	---	Spacer
		553861	Service Kit

■ Included in Service Kit 553861.

Arm Group

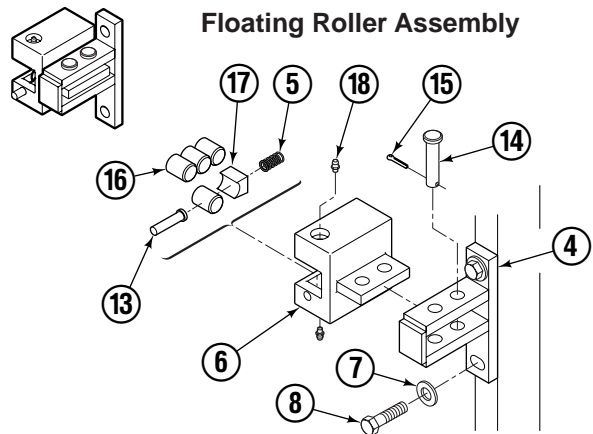
The original design latch plate assemblies are no longer available. Order Service Kit 211748 to convert to new style Floating Roller Lock Assemblies.

Latch Plate Assembly



SD0227.ill

Floating Roller Assembly



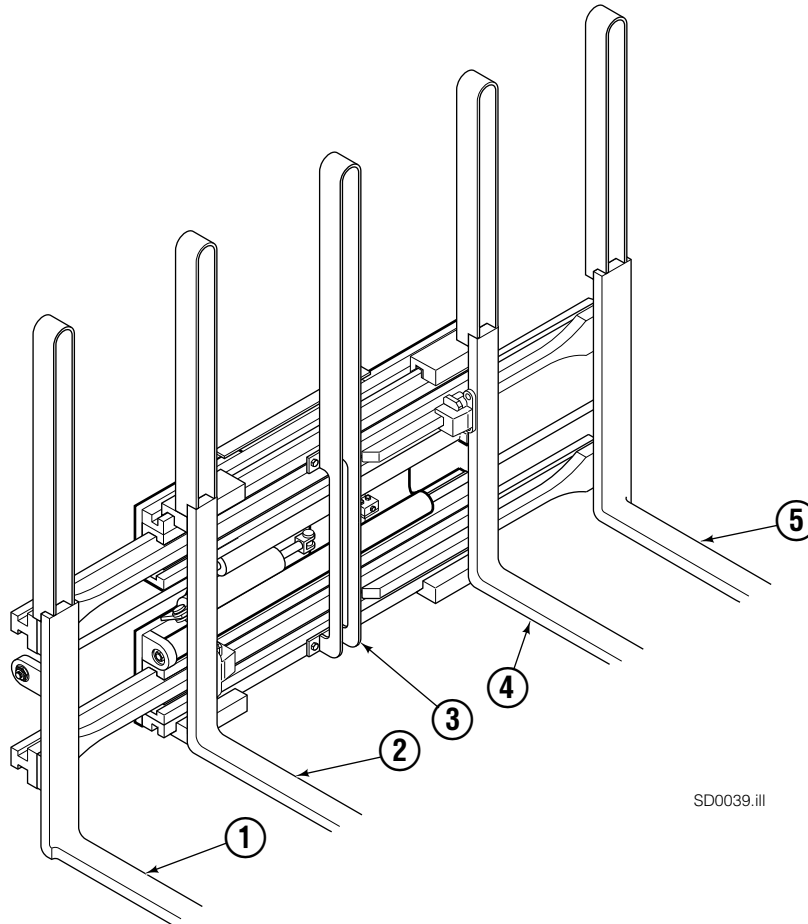
Reference:
205239 Base Unit Group
205238 Common Parts Group

50D

REF	QTY	PART NO.	DESCRIPTION	REF	QTY	PART NO.	DESCRIPTION
		204239	Arm Group	9	4	633801	Capscrew
1	2	204225	Arm Bar	10	4	6290	Washer
2	16	607103	Capscrew, 3/4 NCx1.50 GR8	11	4	204221	Bearing
3	1	211272	Roller Assembly – R.H.	12	2	204228	Arm Bar
3	1	211277	Roller Assembly – L.H.	■ 13	1	209433	Pin
■ 4	2	209410	Anchor Plate	■ 14	2	674265	Clevis Pin
■ 5	1	211729	Spring	■ 15	2	6524	Cotter Pin
■ 6	1	211271	Housing – R.H.	■ 16	4	209430	Roller
■ 6	1	211271	Housing – L.H.	■ 17	1	209431	Spring Keeper
7	4	6455	Washer	■ 18	2	211270	Grease Fitting
8	4	4506	Capscrew				

■ Included in Roller Assembly (Item 3).

Fork and Backrest Group Loop Backrest

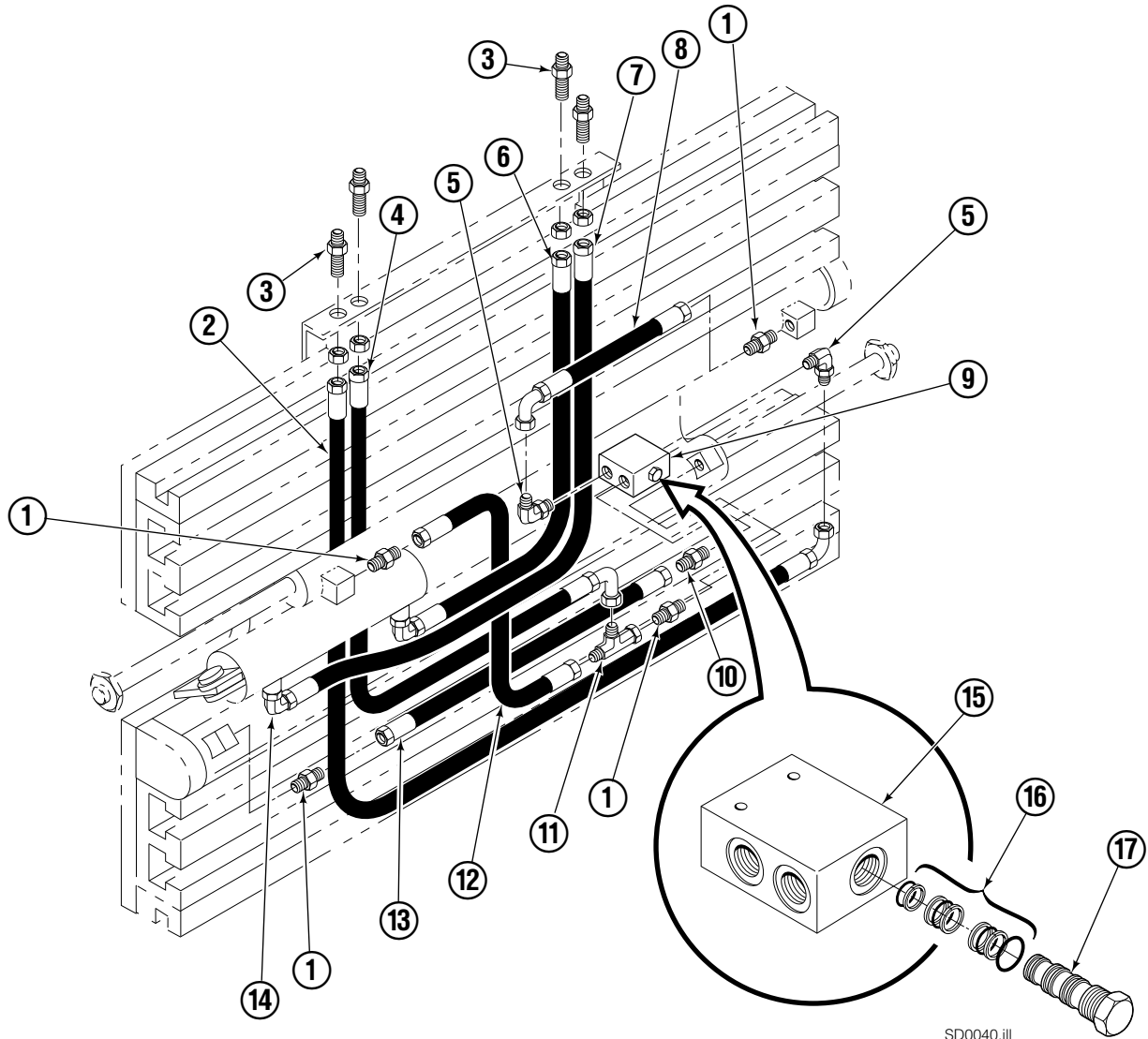


SD0039.ill

50D			
REF	QTY	54"x 48"■ PART NO.	DESCRIPTION
		204278	Fork and Backrest Group
1	1	204289	Outer Fork-RH
2	1	204293	Inner Fork-RH
3	1	204260	Center Backrest
4	1	204292	Inner Fork-LH
5	1	204288	Outer Fork-LH

■ Fork length x backrest height.

Hydraulics



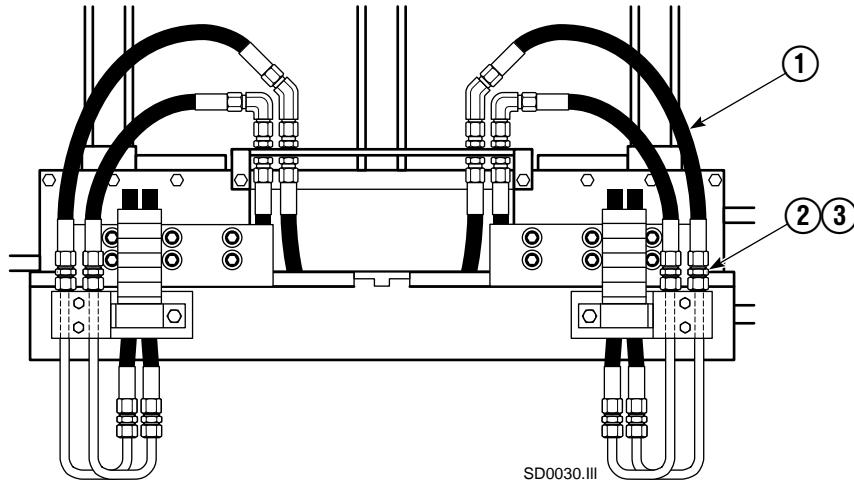
SD0040.ill

50D			
REF	QTY	PART NO.	DESCRIPTION
1	4	611288	Fitting, 6-8
2	1	205226	Hose
3	4	2375	Fitting, 6-6
4	1	205246	Hose
5	2	601676	Fitting, 6-6
6	1	205224	Hose
7	1	205223	Hose
8	1	201734	Hose
■ 9	1	204223	Valve Assembly
10	2	604511	Fitting, 6-6
11	1	611329	Fitting, 6-6
12	1	675058	Hose
13	1	675084	Hose
14	2	666984	Fitting, 4-6
15	1	204222	Valve Body
16	1	204951	Service Kit
17	1	201527	Valve Cartridge

■ Includes items 15-17.

Reference:
205239 Base Unit Group
205238 Common Parts Group

Installation Kit



REF	QTY	PART NO.	DESCRIPTION
		205854	Installation Kit
1	4	2161	Hose
2	4	2347	Fitting, 6-6
3	4	674294	Fitting, 6-8

Do you have questions you need answered right now? Call your nearest Cascade Parts Department.

AMERICAS

**Cascade Corporation
Parts Sales**
2501 Sheridan Ave.
Springfield, OH 45505
Tel: 888-CASCADE (227-2233)
Fax: 888-329-0234

Cascade Canada Inc.
5570 Timberlea Blvd.
Mississauga, Ontario
Canada L4W-4M6
Tel: 905-629-7777
Fax: 905-629-7785

Cascade do Brasil
Rua João Guerra, 134
Macuco, Santos - SP
Brasil 11015-130
Tel: 55-13-2105-8800
Fax: 55-13-2105-8899

EUROPE-AFRICA

**Cascade Italia S.R.L.
European Headquarters**
Via Dell'Artigianato 1
37050 Vago di Lavagno (VR)
Italy
Tel: 39-045-8989111
Fax: 39-045-8989160

Cascade (Africa) Pty. Ltd.
PO Box 625, Isando 1600
60A Steel Road
Sparton, Kempton Park
South Africa
Tel: 27-11-975-9240
Fax: 27-11-394-1147

ASIA-PACIFIC

Cascade Japan Ltd.
2-23, 2-Chome,
Kukuchi Nishimachi
Amagasaki, Hyogo
Japan, 661-0978
Tel: 81-6-6420-9771
Fax: 81-6-6420-9777

Cascade Korea
121B 9L Namdong Ind.
Complex, 691-8 Gojan-Dong
Namdong-Ku
Inchon, Korea
Tel: +82-32-821-2051
Fax: +82-32-821-2055

Cascade-Xiamen
No. 668 Yangguang Rd.
Xinyang Industrial Zone
Haicang, Xiamen City
Fujian Province
P.R. China 361026
Tel: 86-592-651-2500
Fax: 86-592-651-2571

**Cascade India Material
Handling Private Limited**
No 34, Global Trade Centre
1/1 Rambaugh Colony
Lal Bahadur Shastri Road,
Navi Peth, Pune 411 030
(Maharashtra) India
Phone: +91 020 2432 5490
Fax: +91 020 2433 0881

Cascade Australia Pty. Ltd.
1445 Ipswich Road
Rocklea, QLD 4107
Australia
Tel: 1-800-227-223
Fax: +61 7 3373-7333

Cascade New Zealand
15 Ra Ora Drive
East Tamaki, Auckland
New Zealand
Tel: +64-9-273-9136
Fax: +64-9-273-9137

**Sunstream Industries
Pte. Ltd.**
18 Tuas South Street 5
Singapore 637796
Tel: +65-6795-7555
Fax: +65-6863-1368

