



# Parts Manual

---

Model 50D Turn-A-Load

Serial Number 50D-TAL-125

---

**cascade**<sup>®</sup>

For Technical Assistance call: 800-227-2233, Fax: 888-329-8207

To Order Parts call: 888-227-2233, Fax: 888-329-0234

OR

Write: Cascade Corporation, P.O. Box 20187, Portland, OR 97220

# Safety Decals



REF	QTY	PART NO.	DESCRIPTION
1	2	665595	No Hand Hold Decal
2	2	679150	No Step Decal

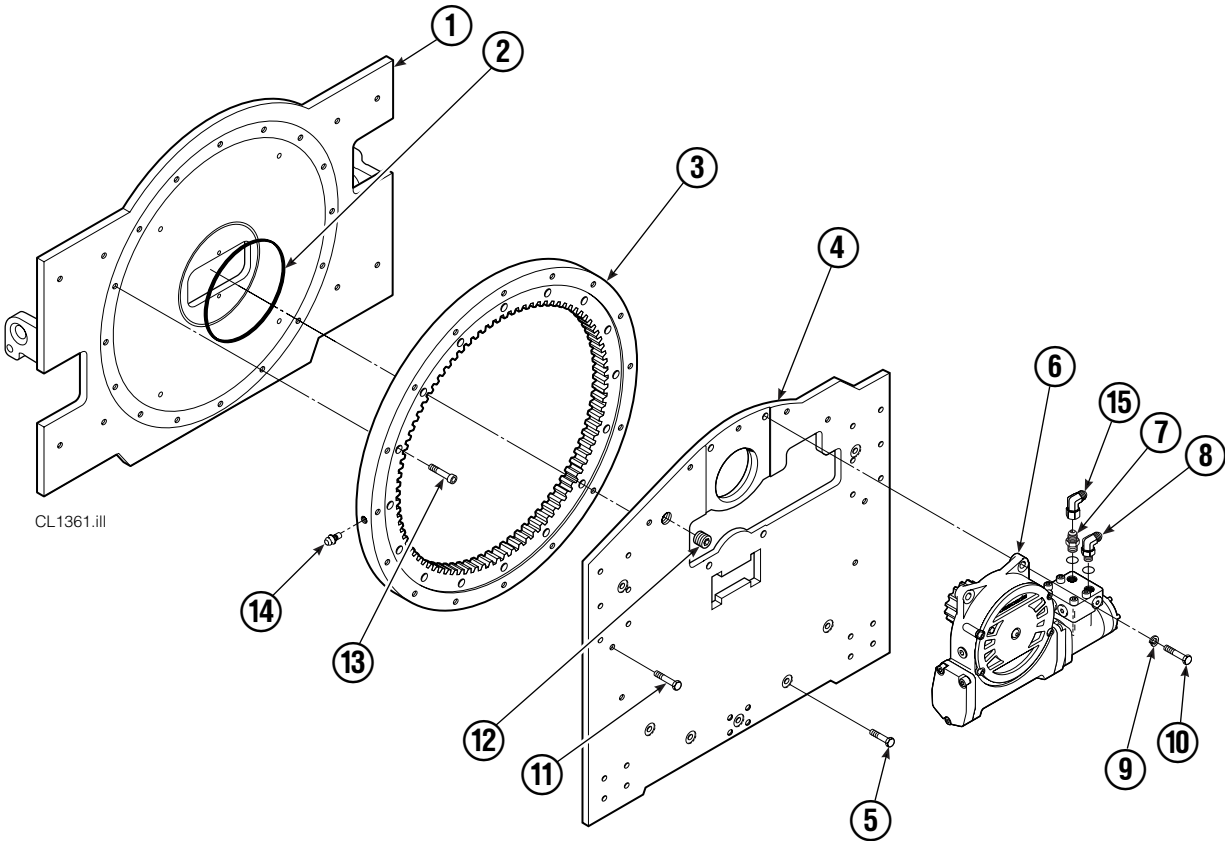


# Publications



PART NO.	DESCRIPTION
672362	Service Manual
672903	Operators Guide
672361	Installation Instructions
680664	Servicing Cascade Cylinders-VHS
679929	Tool Catalog
673964	Literature Index Order Form

# Rotator Group

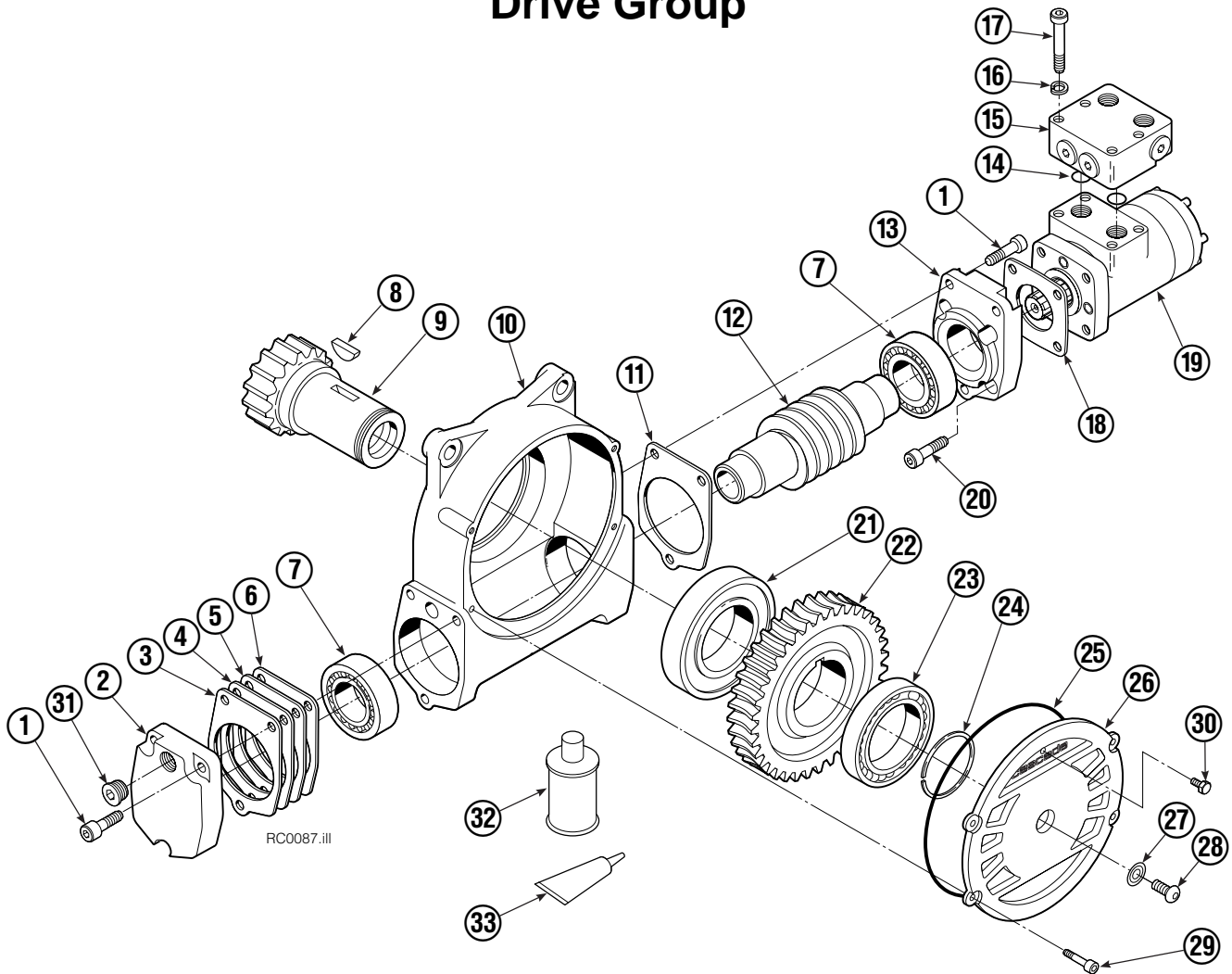


50D			
REF	QTY	PART NO.	DESCRIPTION
		361047	Rotator Group
1	1	362272	Faceplate
2	1	670931	Seal
3	1	672828	Bearing Assembly
4	1	687229	Baseplate
5	7	643538	Capscrew, 1/2 NC x 1.50 GR8
6	1	795491	Drive Group ▲
7	1	601377	Fitting, 8-8
8	1	601250	Fitting, 8-8
9	4	6290	Lockwasher, 1/2 in. ID
10	4	661742	Capscrew, 1/2 NC x 1.25 GR5
11	9	643539	Capscrew, 1/2 NC x 1.75 GR8
12	1	6605	Plug
13	16	4505	Capscrew, 1/2 NC x 1.25
14	1	7401	Grease Fitting
15	1	605761	Fitting, 8-8
		672481	Bearing Service Kit, Items 3 & 13

▲ See Drive Group page for parts breakdown.

Reference: Common Parts Group 680700, SK-5649, SK-5343.

# Drive Group



50D							
REF	QTY	PART NO.	DESCRIPTION	REF	QTY	PART NO.	DESCRIPTION
		795491	Drive Group with 2.8 c.i. Motor	19	1	206392	Drive Motor – 2.8 c.i.
1	6	769570	Capscrew, M12 x 25	20	4	4468	Capscrew, 3/8 NC x .75 GR8
2	1	676855	Cover	21	1	670580	Bearing
3	●	674513	Shim – .005" (blue)	22	1	675609	Worm Gear
4	●	670574	Shim – .010" (brown)	23	1	670581	Bearing
5	●	671757	Shim – .015" (pink)	24	1	7214	Snap Ring
6	●	671758	Shim – .020" (yellow)	25	1	643423	O-Ring
7	2	670579	Bearing	26	1	775552	Cover
8	1	670582	Key	27	1	783609	Seal
9	1	670506	Pinion	28	1	783608	Capscrew, M12 x 16
10	1	775551	Housing	29	4	200882	Capscrew, M8 x 20
11	1	686465	Gasket	30	1	644010	Relief Fitting
12	1	675608	Worm	31	1	604510	Fitting, 6
13	1	775553	Adapter	32	1	656300	Gear Box Lube – 48 oz.
14	2	2705	O-Ring	33	1	668184	Sealant
15	1	670549	Check Valve ▲			670578	Shim Service Kit (items 3-6,25,33)
16	4	6444	Lockwasher			675637	Bearing Service Kit (items 21 & 33)
17	4	607059	Capscrew, 5/16 NC x 1.75 GR8			675638	Bearing Service Kit (items 3-7,25)
18	1	670575	Gasket			685227	Motor Kit-4.5 (items 4,14,18)

● Quantity as required.

▲ See Check Valve page for parts breakdown.

# Drive Motor



REF	QTY	PART NO.	DESCRIPTION
		206392	Drive Motor
1	1	675478	Shaft
2	1	675477	Drive
3	1	675479	Spacer Plate
■ 4	1	675480	Gerotor Set (101-1768-007)
■ 4	1	685075	Gerotor Set (101-1768-009)
5	1	675482	End Cap
● 6	1	206405	Service Kit
■ 7	1	685089	Flange (101-1768-007)
■ 7	1	685090	Flange (101-1768-009)

Cascade provides service replacement parts for the listed parts only. Due to cost, if others parts need replacement, the complete drive motor should be replaced.

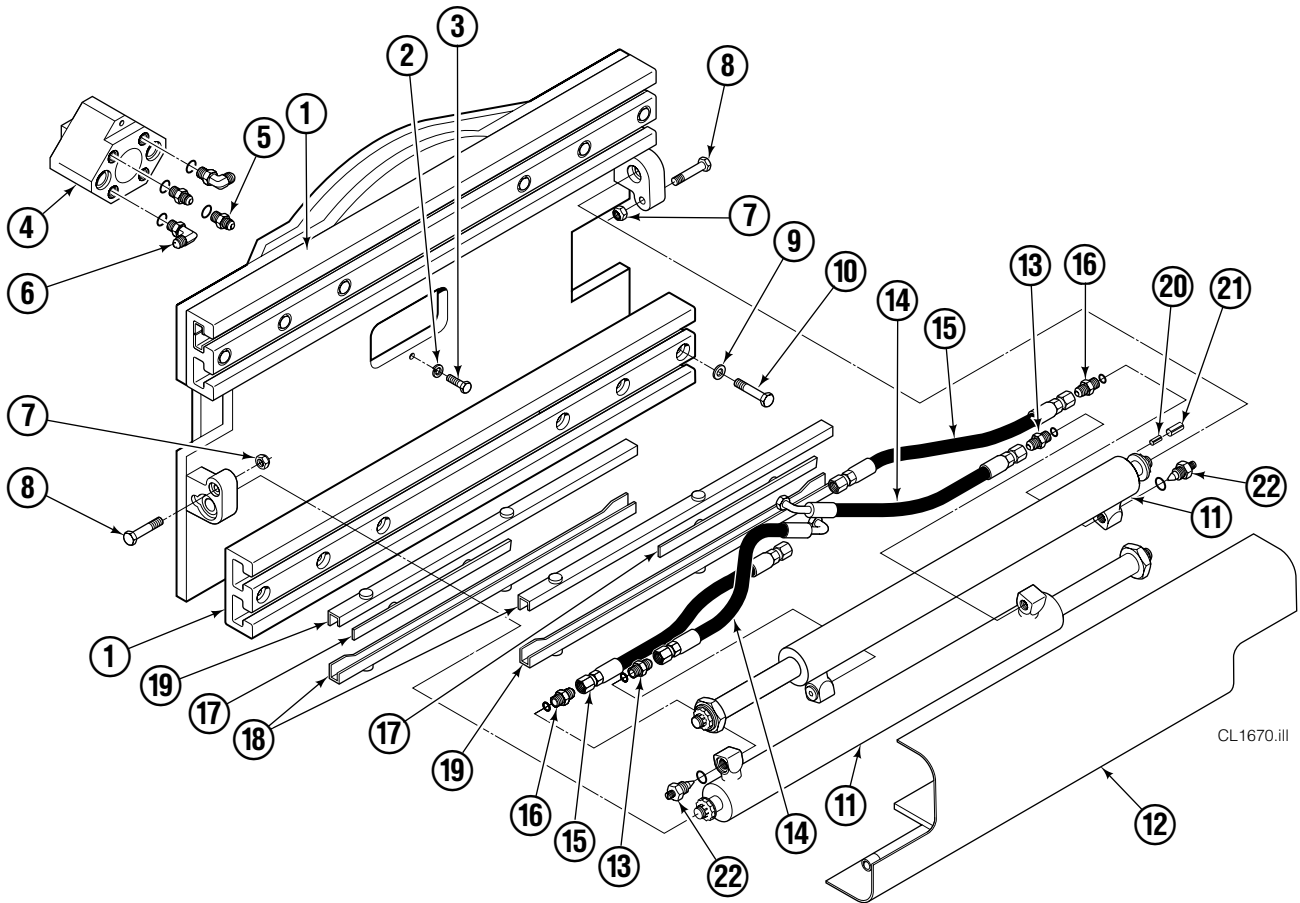
- See Nameplate under valve for correct part number of Gerotor Set and Flange.
- Compatible with water glycol based hydraulic fluids.

# Check Valve



REF	QTY	PART NO.	DESCRIPTION
		670549	Check Valve Assembly
1	2	609453	Fitting, 10
2	2	670552	Spring
3	2	670551	Guide
4	2	7020	Ball
5	2	602580	Fitting, 8
6	2	673989	Spring
7	1	670550	Body
8	1	670553	Spool

# Frame Group



CL1670.iii

50D							
REF	QTY	PART NO.	DESCRIPTION	REF	QTY	PART NO.	DESCRIPTION
		361046	Frame Group	12	1	321459	Bumper
1	2	321435	Frame	13	2	611288	Fitting, 6-8
2	2	686119	Lockwasher, M8	14	2	350785	Hose, 16.50 in.
3	2	765352	Capscrew, M8 x 30	15	2	2117	Hose, 20.00 in.
4	1	686420	Revolving Connection ■	16	2	686369	Fitting
5	2	604511	Fitting, 6-6	17	4	667663	Bearing
6	2	601676	Fitting, 6-6	18	4	668904	Bearing
7	2	665707	Nut, 1/2 in. ID	19	4	668905	Bearing
8	2	3660	Capscrew, 1/2 NC x 2.50	20	2	7882	Roll Pin - Inner
9	12	667225	Washer, 5/8 in. ID	21	2	7961	Roll Pin - Outer
10	8	667644	Capscrew, 5/8 NC x 3.25	22	2	667609	Restrictor Cartridge ●
11	2	316485	Cylinder ▲	23	4	674258	Capscrew (not shown)

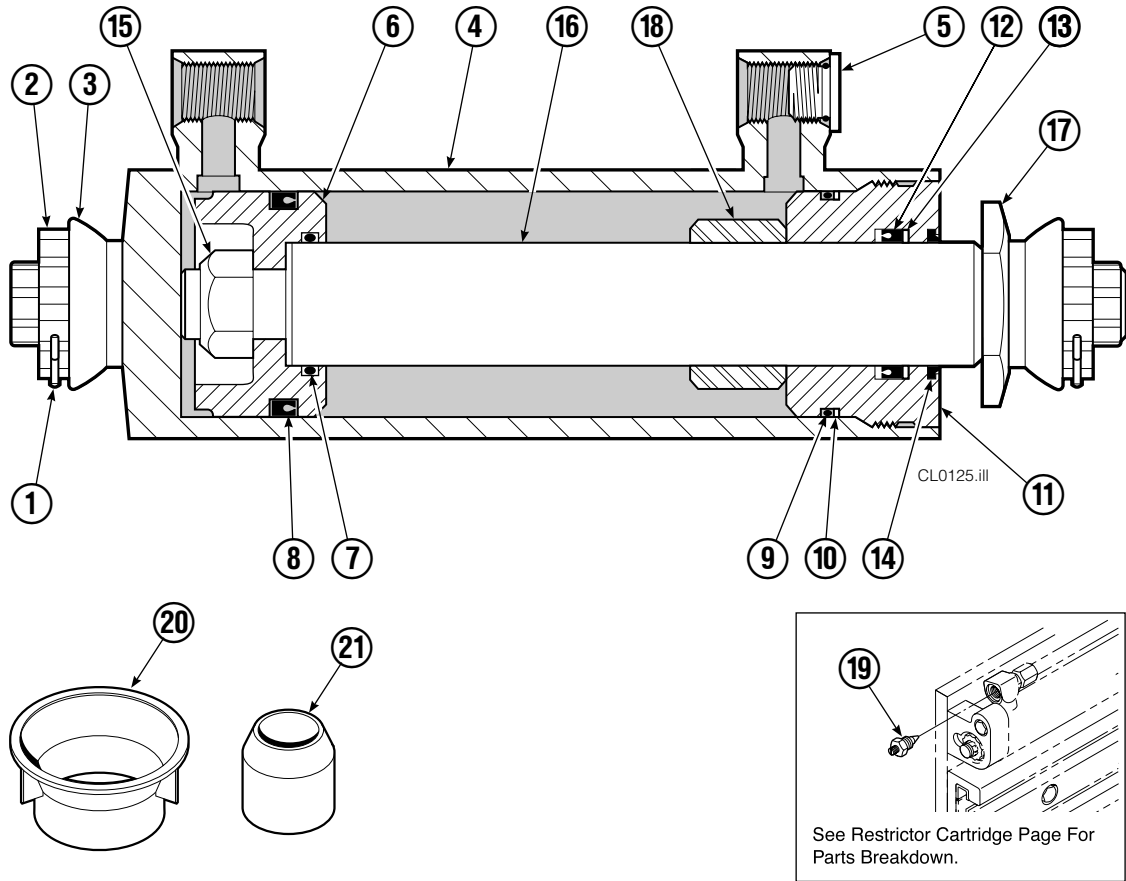
■ See Revolving Connection page for parts breakdown.

▲ See Cylinder page for parts breakdown.

● See Restrictor Cartridge page for parts breakdown.

Reference: SK-5659.

# Cylinder



See Restrictor Cartridge Page For Parts Breakdown.

50D			
REF	QTY	PART NO.	DESCRIPTION
		316485	Cylinder Assembly
1	2	6511	Cotter Pin ■
2	2	667667	Nut Retainer ■
3	2	667668	Nut ■
4	1	316486	Shell
5	1	602580	Fitting
6	1	558402	Piston
7	1	2722	O-Ring ▲
8	1	557376	Seal ▲
9	1	2791	O-Ring ▲
10	1	615134	Back-Up Ring ▲
11	1	667675	Retainer
12	1	662451	Seal ▲
13	1	638246	Nylon Ring ▲
14	1	564930	Wiper ▲
15	1	561012	Nut
16	1	316487	Rod
17	1	667676	Washer
18	1	—	Spacer
19	1	667609	Restrictor Cartridge ●
20	1	671049	Seal Loader, Piston ▲
21	1	671052	Seal Loader, Retainer ▲
		667723	Service Kit

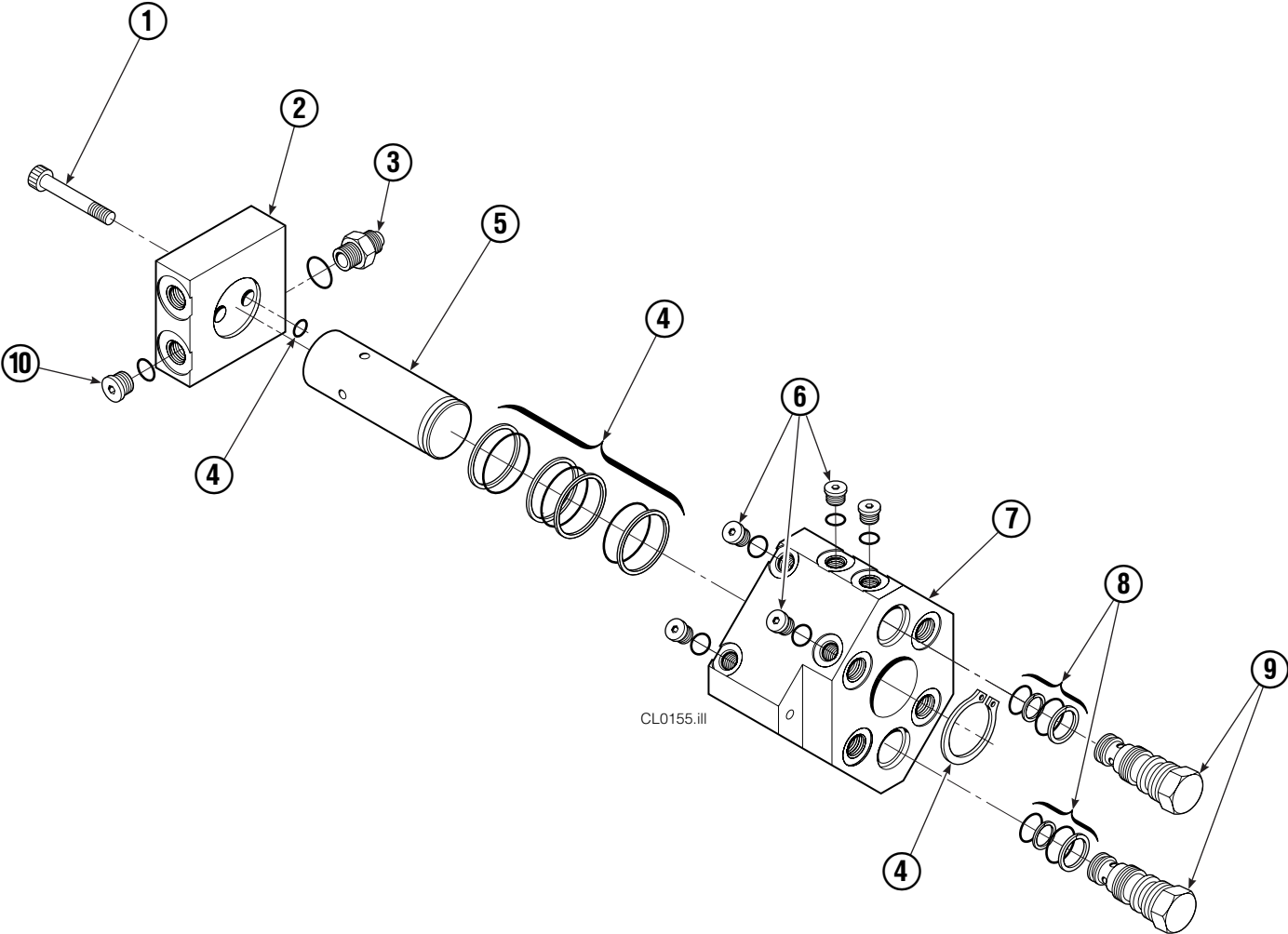
▲ Included in Service Kit 667723.

■ Included in Nut Service Kit 668925.

● Not included in Cylinder Assembly.

Reference: S-7666.

# Revolving Connection



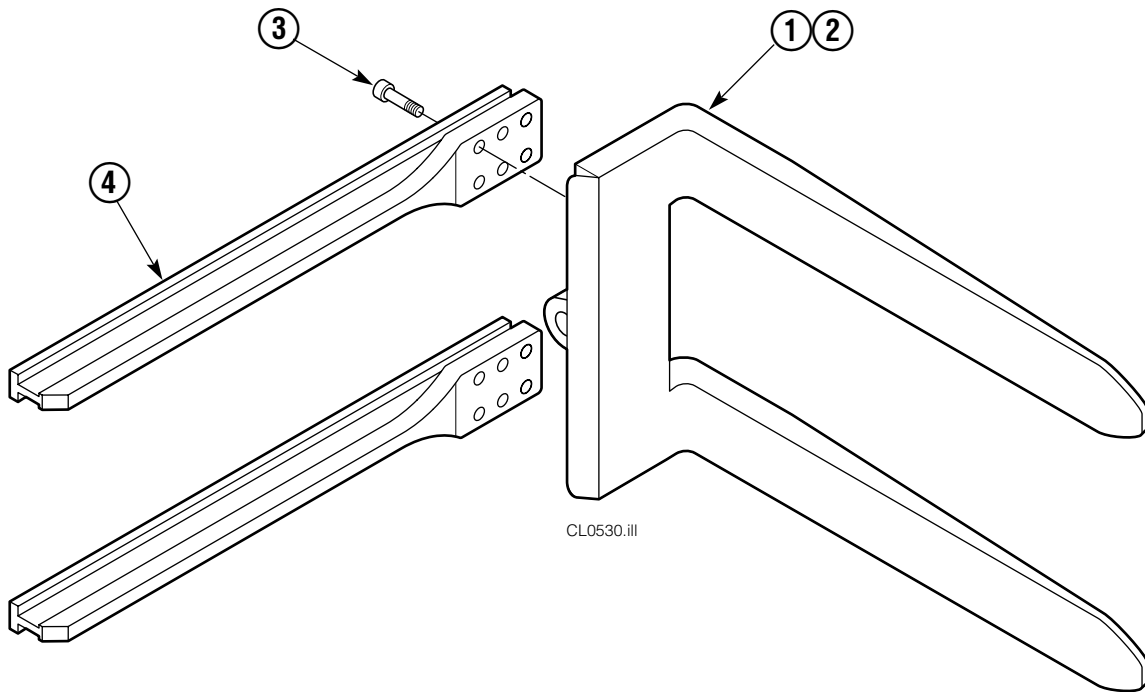
<b>35D/50D</b>			
REF	QTY	PART NO.	DESCRIPTION
		686420	Revolving Connection
1	2	768795	Capscrew, M8 x 1,25 x 30 x 8.8
2	1	686421	End Block
3	2	604511	Fitting, 6-6
4	1	687237	Service Kit
5	1	686422	Shaft
6	5	663694	Fitting, 3
7	1	686423	Body
8	2	667516	Check Valve Service Kit
9	2	678376	Check Valve
10	2	604510	Fitting, 6


# Restrictor Cartridge



REF	QTY	PART NO.	DESCRIPTION
		667609	Restrictor Cartridge
1	1	2701	O-Ring
2	1	667611	Plunger
3	1	2841	O-Ring
4	1	667610	Plug - Special
5	1	5716	Jam Nut

# Arm Group



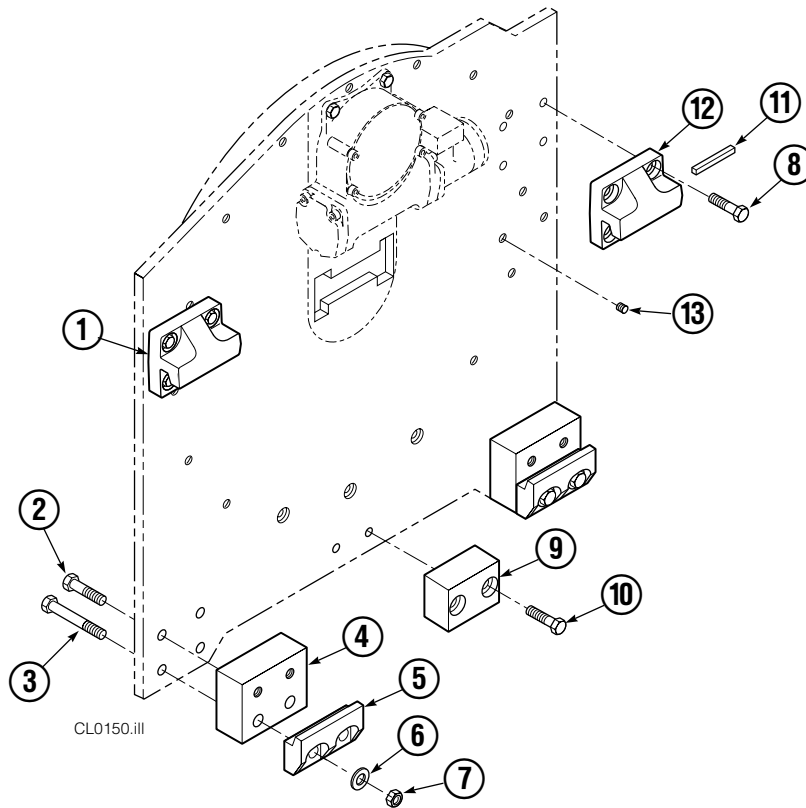
ARM CAPSCREW EXTENSION TOOL		
Required for proper torquing of capscrews		
	35-50D	667699

50D			
REF	QTY	PART NO.	DESCRIPTION
		339358	Arm Group ▲
1	1	339359	Arm – LH
2	1	339359	Arm – RH
2	24	676105	Capscrew
3	4	323015	Arm Bar

▲ Includes items 1, 2 & 3 only.

Reference: S-7867, 7839

# Bolt-On Mounting Group



## Class III, 0°

REF	QTY	PART NO.	DESCRIPTION
		680632	Mounting Group
1	1	670527	Upper Hook – LH
2	4	641284	Capscrew, 5/8 NC x 2.25
3	4	669305	Capscrew, 5/8 NC x 5.00
4	2	682068	Spacer
5	2	675969	Lower Hook
6	4	667225	Washer
7	4	676281	Nut, 5/8
8	8	667369	Capscrew, 5/8 NC x 1.25
9	1	682067	Center Spacer
10	2	677828	Capscrew, 1/2 NC x 1.00
11	1	669344	Stop Kit
12	1	670528	Upper Hook – RH
13	2	631385	Plug, 5/8

**Do you have questions you need answered right now?** Call your nearest Cascade Parts Department.

**Cascade Corporation**  
2501 Sheridan Avenue  
Springfield, OH 45505  
Tel: 888-CASCADE (227-2233)  
FAX: 888-329-0234

**Cascade Canada Inc.**  
5570 Timberlea Blvd.  
Mississauga, Ontario  
Canada L4W-4M6  
Tel: 905-629-7777  
FAX: 905-629-7785

**Cascade GmbH**  
D-41199 Monchengladbach  
Klosterhofweg 52  
Germany  
Tel: 21-66-602091  
FAX: 21-66-680947

**Cascade Finland**  
01370 Vantas  
Finland  
Tel: 358-0-836-1925  
FAX: 358-0-836-1935

**Cascade N.V.  
European Headquarters**  
P.O. Box 3009  
1300 El Almere  
Damsluisweg 56  
1332 ED Almere  
The Netherlands  
Tel: 31-36-5492911  
FAX: 31-36-5492964

**Cascade N.V.  
Benelux Sales and Service**  
P.O. Box 3009  
1300 El Almere  
Damsluisweg 56  
1332 ED Almere  
The Netherlands  
Tel: 31-36-5492950  
FAX: 31-36-5492974

**Cascade (UK) Ltd.**  
15, Orgreave Crescent  
Dore House Industrial Estate  
Handsworth  
Sheffield S13 9NQ  
England  
Tel: 742-697524  
FAX: 742-695121

**Cascade Scandinavia  
Hydraulik A.B.**  
Muskötgatan 19, E8-9  
S25466 Helsingborg  
Sweden  
Tel: 42-151135  
FAX: 42-152997

**Cascade Norway**  
Østerliveien 37A  
1153 Oslo  
Norway  
Tel: 47-22-743160  
FAX: 47-22-743157

**Cascade France S.A.R.L.**  
11, Rue Jean Charcot  
Zone Industrielle Sud or  
B.P. 22  
91421 Morangis Cedex  
France  
Tel: 1- 64547501  
FAX: 1-9790584

**Cascade Hispania S.A.**  
Avenida De La Fabregada, 7  
Hospitalet De Llobregat  
Barcelona  
Spain  
Tel: 3-335-5158  
FAX: 3-335-4756

**Cascade Japan Ltd.**  
5-5-41,  
Torikai Kami  
Settsu, Osaka  
Japan, 566  
Tel: 81-726-53-3490  
FAX: 81-726-53-3497

**Cascade Korea**  
Room 508, Pum Yang Bldg.  
750-14, Bang Bac-Dong  
Se-Cho Ku, Seoul  
Korea  
Tel: 2599-7131 ext. 512  
FAX: 2533-8089

**HYCO-Cascade Pty. Ltd.**  
1445 Ipswich Road  
Rocklea,  
Queensland 4107  
Australia  
Tel: 3-274-2722  
FAX: 3-274-3456

**HYCO-Cascade (NZ) Ltd.**  
15 Ra Ora Drive, East Tamaki  
P.O. Box 38-440  
Howick, Auckland  
New Zealand  
Tel: 9-273-9136  
FAX: 9-273-9137

**Cascade (Africa) Pty. Ltd.**  
P.O. Box 625, Isando 1600  
60A Steel Road  
Sparton, Kempton Park  
South Africa  
Tel: 975-9240  
FAX: 394-1147

**Cascade-Xiamen**  
Wanshan No. 1 Workshop  
Huli Road  
Xiamen 361006  
Fujian, PRC  
Tel: 592-562-4600  
FAX: 592-562-4671

**Cascade (Singapore)  
Trading Co.**  
Four Seasons Park  
Autumn Block - Apt. 1802  
12 Cascaden Walk  
Singapore  
Tel: 65-834-1935  
FAX: 65-834-1936

