



# Parts Manual

---

Model Single-Double Pallet Handler

Serial Number 55E-FDS-640

---

**cascade**<sup>®</sup>  
corporation

**For Technical Assistance call:** 800-227-2233, Fax: 888-329-8207

**To Order Parts call:** 888-227-2233, Fax: 888-329-0234

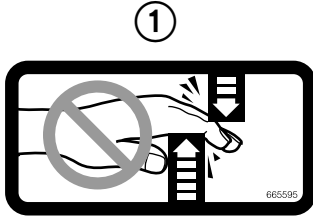
**OR**

**Write:** Cascade Corporation, P.O. Box 20187, Portland, OR 97220

**Internet:** [www.cascorp.com](http://www.cascorp.com)



# Decals



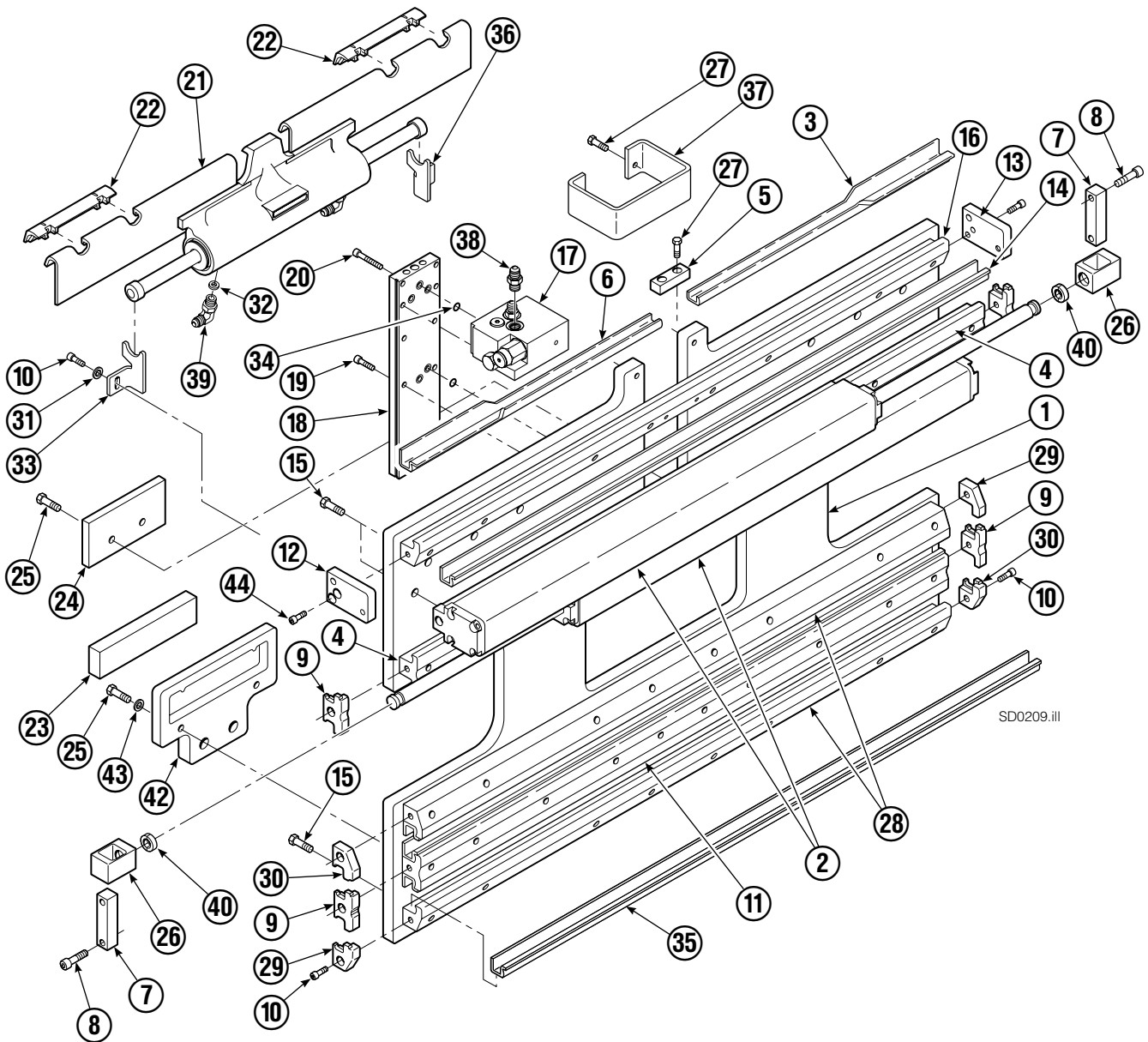
55E			
REF	QTY	PART NO.	DESCRIPTION
1	6	665595	No Hand Hold Decal
2	4	679150	No Step Decal

# Publications



55E	
PART NO.	DESCRIPTION
214269	Parts Manual
213580	Operator's Guide
213372	Installation Instructions
679929	Tool Catalog
673964	Literature Index Order Form

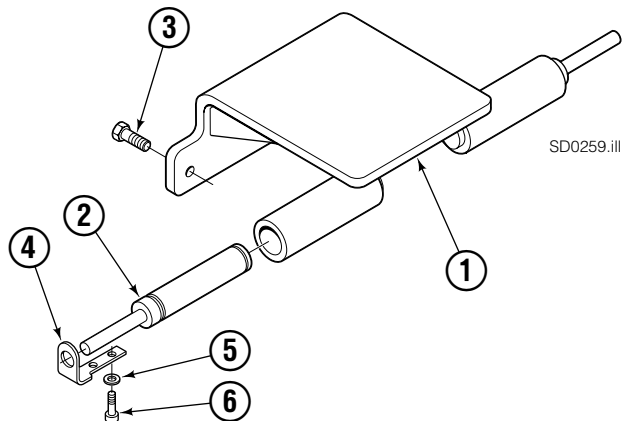
# Base Unit Group – ITA Class II



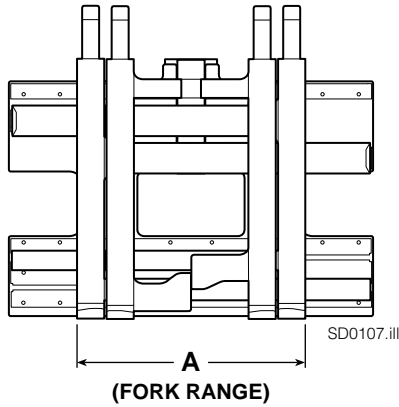
## Inner Fork Control Group

55E			
REF	QTY	PART NO.	DESCRIPTION
		225394	Inner Fork Control Group ▼
1	1	225396	Bracket
2	2	225395	Gas Cylinder
3	3	623821	Capscrew, M12 x 20
4	2	230791	Retainer
5	4	202346	Washer, M6
6	4	768785	Capscrew, M6 x 10

▼ Included in Base Unit Group 230789.



# Base Unit Group – ITA Class II



**NOTE:** Position the outer forks to minimum width and measure **A** to determine minimum outer fork outside to outside (OTO) range.

55E			
REF	QTY	PART NO.	DESCRIPTION
		230789▼	Base Unit Group – Class II
1	1	220017	Baseplate
2	2	214622	Frame Cylinder ★
3	1	4786-0468	Bearing Segment – LH
4	2	214629	T-Bar – Upper
5	1	212723	Fork Stop
6	1	4787-0468	Bearing Segment – RH

▼ Includes Inner Fork Control Group 225394.

## Common Parts

REF	QTY	PART NO.	DESCRIPTION	REF	QTY	PART NO.	DESCRIPTION
7	2	210489	Rod End Anchor ■	27	2	684649	Capscrew, M10 x 25
8	4	768303	Capscrew, M10 x 35 ■	28	2	214633	T-Bar – Lower
9	4	210140	Bearing Retainer	29	2	212585	Bearing Retainer
10	14	787375	Capscrew, M8 x 20 GR 8.8	30	2	212586	Bearing Retainer
11	1	214631	T-Bar – Lower	31	2	787398	Washer, M8
12	1	220009	Retainer/Stop – RH	32	2	564226	Washer
13	1	220008	Retainer/Stop – LH	33	1	213737	Bracket – RH
14	4	4730-1050	Bearing Segment	34	7	214053	O-Ring
15	20	211689	Capscrew, M12 x 30 GR 10.9	35	4	4730-1040	Bearing Segment
16	1	220143	T-Bar – Upper	36	1	213736	Bracket – LH
17	1	216838	Valve Assembly ▲	37	1	212741	Valve Guard
18	1	211456	Manifold	38	2	604511	Fitting, 6-6 ◆
19	10	768208	Capscrew, M8 x 25	39	2	601676	Fitting, 6-6 ◆
20	2	768800	Capscrew, M8 x 60	40	4	210490	Retainer Half Ring ■
21	1	205842	Sideshift Cylinder ●	41	30	214487	Capscrew, M12 x 40
22	2	204187	Upper Bearing	42	2	215226	Hanger
23	2	208350	Lower Bearing	43	4	787383	Lockwasher, M10
24	2	212709	Spacer Block	44	2	762900	Capscrew, M6 x 25
25	4	767615	Capscrew, M10 x 25	45	2	768802	Capscrew, M8 x 70
26	2	209741	Rod End ■				

★ See Frame Cylinder page for parts breakdown.

▲ See Valve Assembly page for parts breakdown.

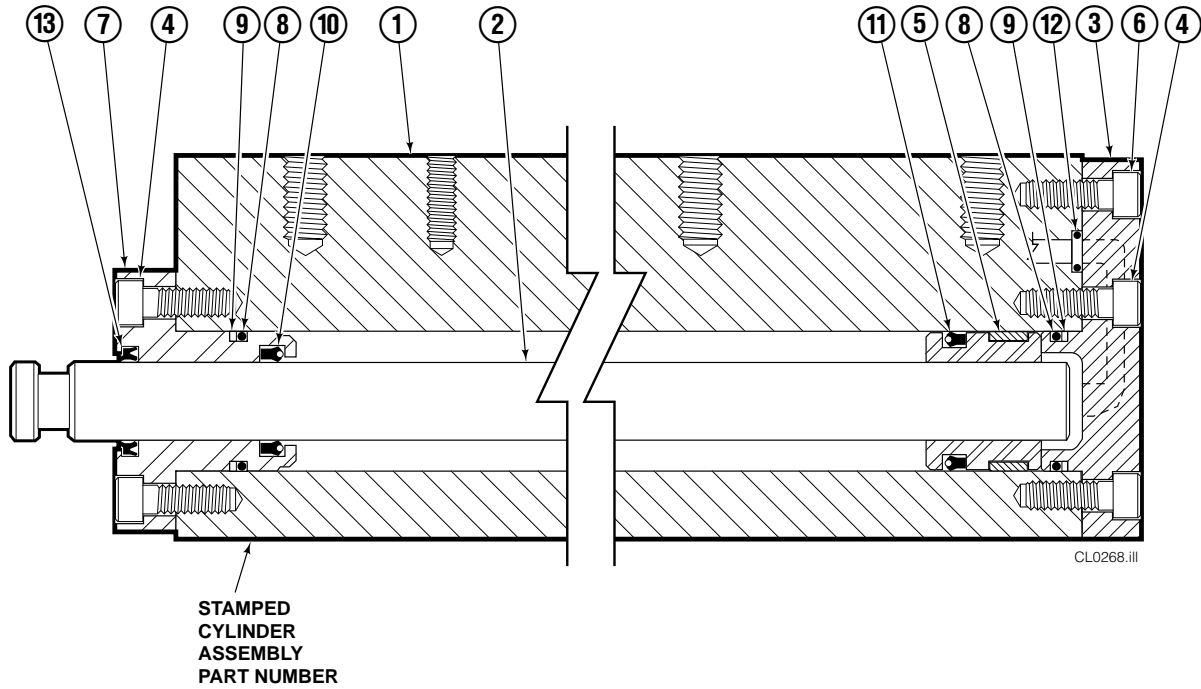
■ Included in Cylinder Rod Anchor Kit 213856.

● See Sideshift Cylinder page for parts breakdown.

◆ Included in Fitting Group 213099.

Reference: SK-6374.

# Frame Cylinder



55E			
REF	QTY	PART NO.	DESCRIPTION
		214622	Cylinder Assembly
1	1	214623	Cylinder/Shell
2	1	4157-825	Rod
3	1	213783	End Cap
4	8	768208	Capscrew, M8 x 25
5	1	209809	Bearing ▲
6	1	787375	Capscrew, M8 x 20
7	1	212452	Retainer
8	3	643379	O-Ring ▲
9	2	210050	Back-Up Ring ▲
10	1	212477	Seal ▲
11	1	209808	Seal ▲
12	2	214053	O-Ring ▲
13	1	562131	Wiper ▲
		210090	Service Kit

▲ Included in Service Kit 210090.

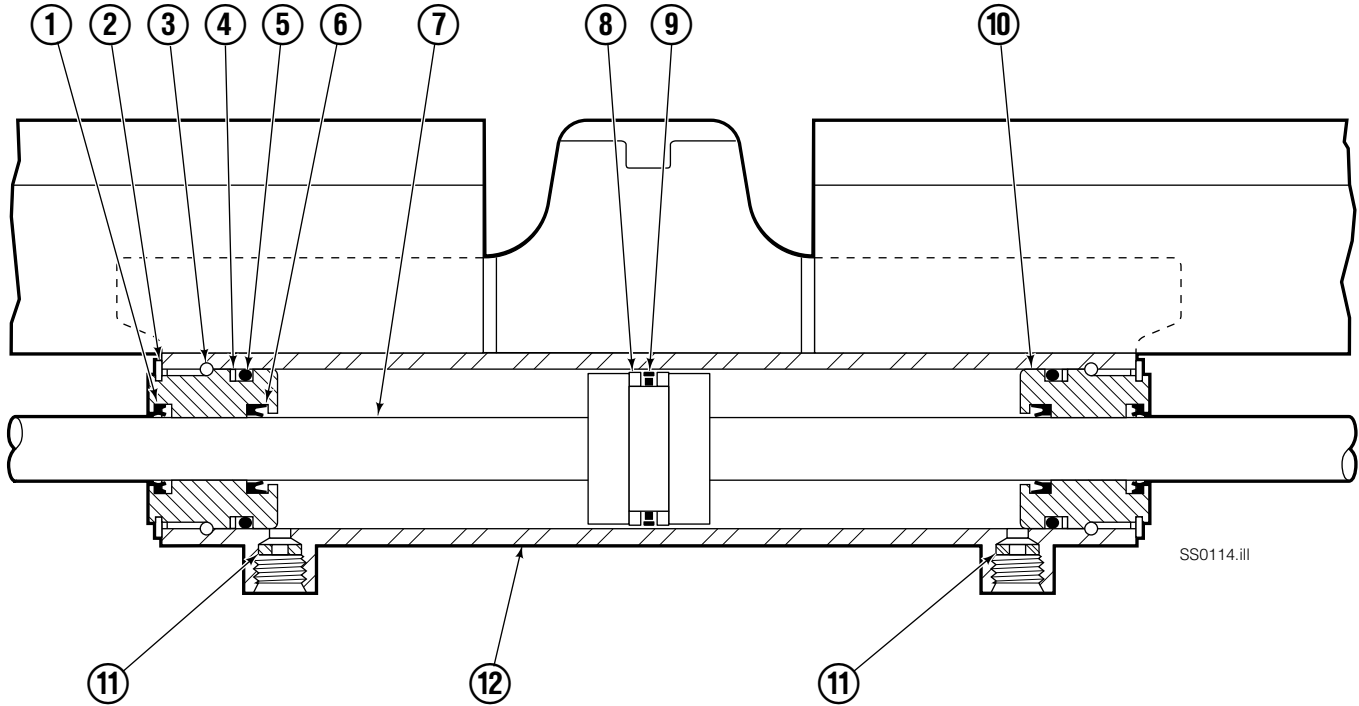
Reference: S-4643, S-4644.

# Valve ITA Class III



55E			
REF	QTY	PART NO.	DESCRIPTION
		216838	Valve Assembly
1	1	219039	Check Valve
2	1	—	Service Kit
3	1	609234	Plug
4	1	216839	Valve Body
5	1	213535	Crossover Relief Valve
6	1	682170	Service Kit
7	1	219040	Flow Divider/Combiner
8	1	—	Service Kit

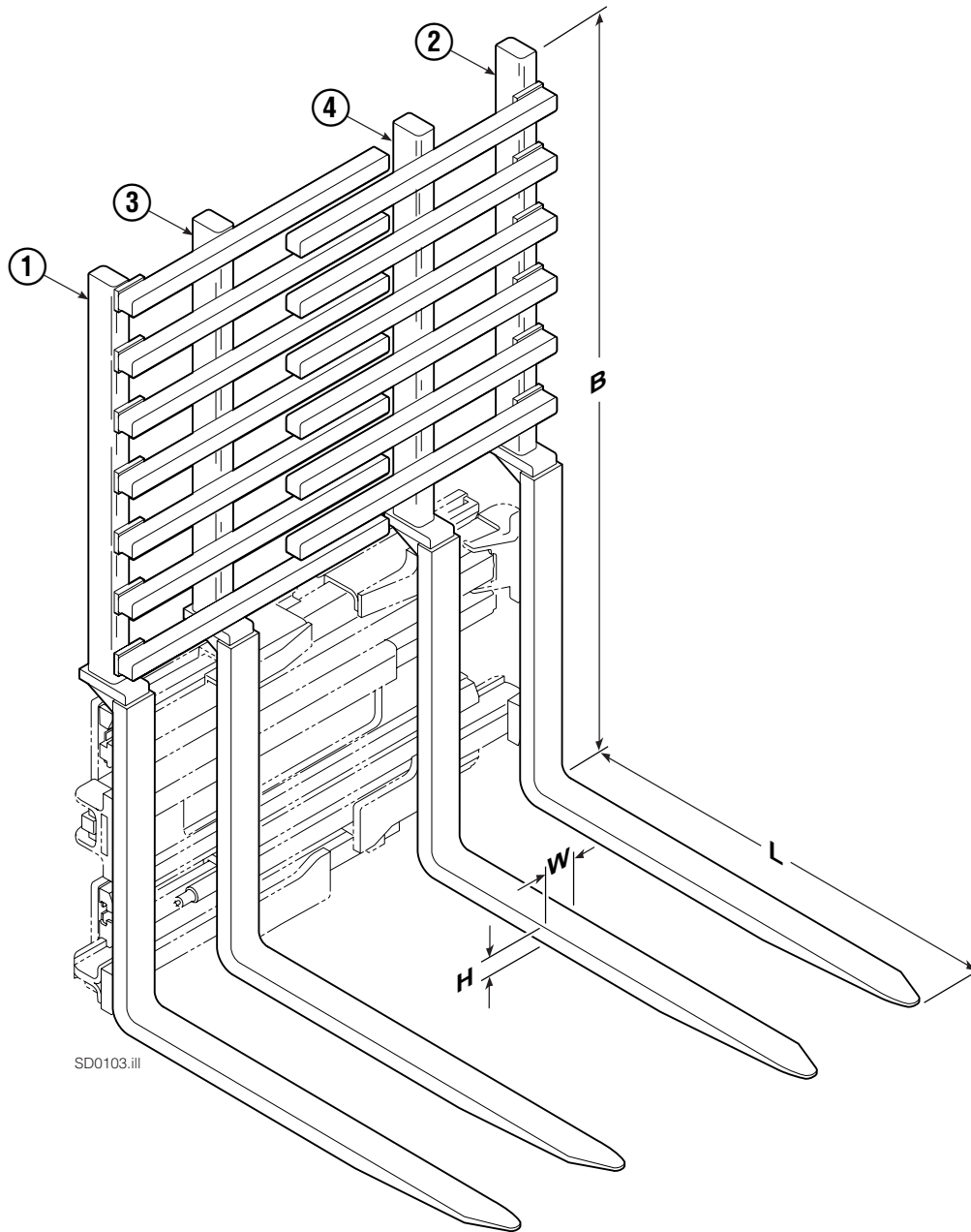
# Sideshift Cylinder ITA Class II



55E			
REF	QTY	PART NO.	DESCRIPTION
		205842	Cylinder Assembly
1	2	562131	● Wiper Seal
2	2	562951	Snap Ring
3	2	562942	Retaining Ring
4	2	563388	● Back-Up Ring
5	2	562127	● O-Ring
6	2	562132	● Rod Seal
7	1	562055	Rod
8	2	563278	● Bearing Ring
9	1	564141	● Piston Seal
10	2	562792	Retainer
11	2	564226	Speed Control Washer ▲
12	-	■	Cylinder Shell
		563487	Service Kit

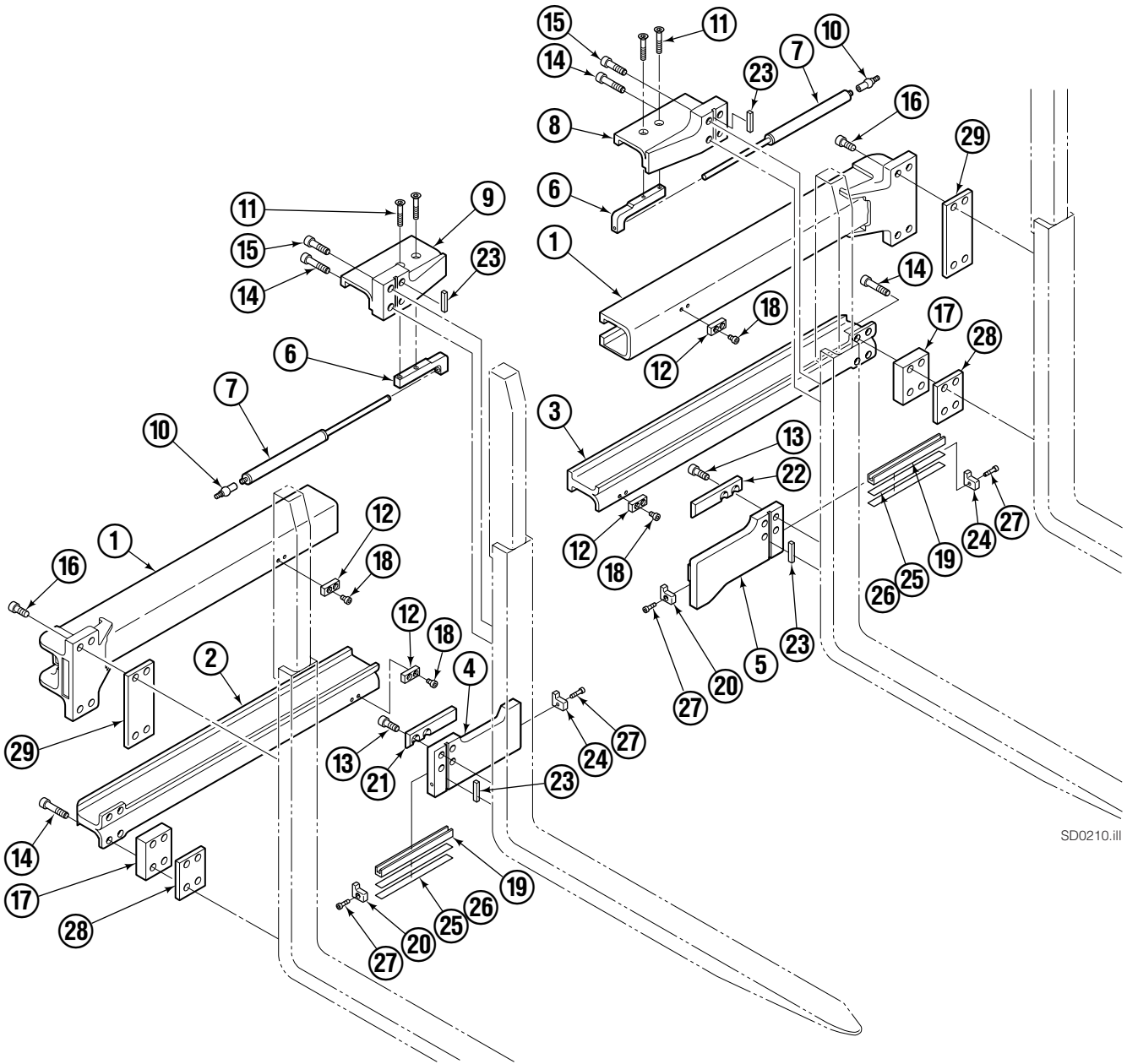
- Included in Service Kit 563487.
- Not serviceable, order new cylinder assembly.
- ▲ Reference: Restrictor Group 205369.

# Interlocking Backrest/Fork Group



55E			
REF	QTY	PART NO.	DESCRIPTION
		393959	Backrest and Fork Group
1	1	393984	Outer Fork – RH
2	1	393983	Outer Fork – LH
3	1	394205	Inner Fork – RH
4	1	394204	Inner Fork – LH

# Arm Group



SD0210.iii

# Arm Group

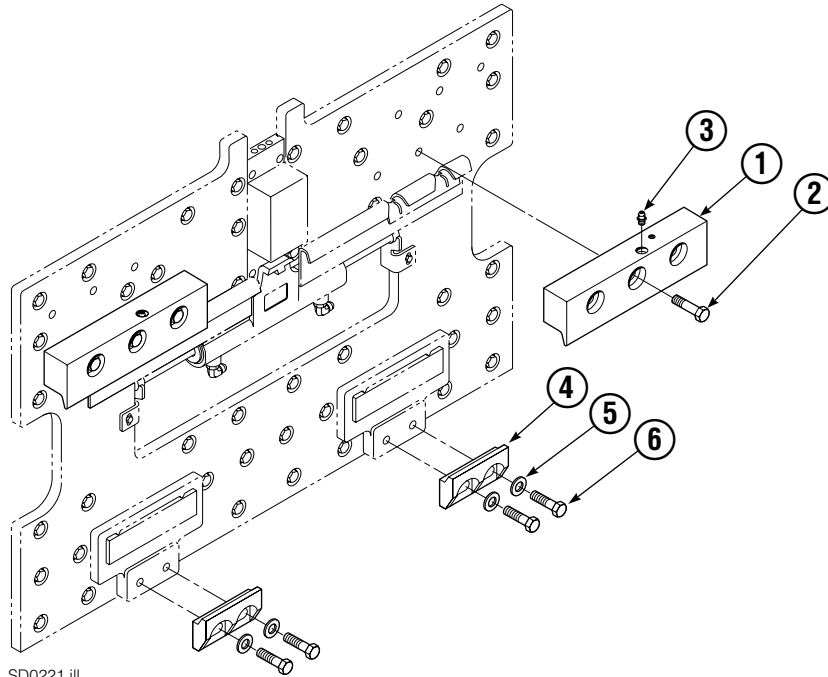
REF	QTY	PART NO.	DESCRIPTION
		220122	Arm Group
1	2	220176	Upper Arm Bar
2	1	220216	Lower Arm Bar – RH
3	1	220206	Lower Arm Bar – LH
4	1	220136	Lower Hook – RH
5	1	220139	Lower Hook – LH
6	2	10273-0133	Bracket
7	2	219979	Gas Spring

## Common Parts

REF	QTY	PART NO.	DESCRIPTION	REF	QTY	PART NO.	DESCRIPTION
8	1	220096	Upper Hook – LH	19	2	4501-0222	Bearing Segment
9	1	220095	Upper Hook – RH	20	2	212979	Bearing Retainer
10	2	213011	Ball Joint	21	1	212682	Bearing – RH
11	4	766646	Capscrew, M10 x 20	22	1	213899	Bearing – LH
12	4	212687	Fork Stop	23	4	213364	Key
13	8	769574	Capscrew, M16 x 35	24	2	213360	Bearing Retainer
14	12	769578	Capscrew, M16 x 60	25	4	212559	Shim, .04 in. (1 mm)
15	4	769577	Capscrew, M16 x 50	26	4	213913	Shim, .02 in. (.5 mm)
16	8	769573	Capscrew, M16 x 30	27	4	787375	Capscrew, M8 x 20
17	2	210587	Spacer	28	4	797611	Spacer
18	4	214414	Capscrew, M10 x 12	29	4	797610	Spacer

Reference: SK-6373 and 6374. Common Parts Group 220285.

# Mounting Group ITA Class II



SD0221.ill

55E			
REF	QTY	PART NO.	DESCRIPTION
		212569	Upper Hook Group ▲
		211173	Lower Hook Group ★
1	2	210591	Upper Hook
2	6	751511	Capscrew, M16 x 55
3	2	7403	Grease Fitting
4	2	675968	Lower Hook
5	4	667225	Washer
6	4	751511	Capscrew, M16 x 55

▲ Includes items 1 & 2.

★ Includes items 4-6.

Reference: SK-6373.

# Recommended Spare Parts List

55E-FDS-640 Single-Double Pallet Handler				
PART NO.	DESCRIPTION	ATTACHMENTS SERVICED		
CLASS II		1-5	6-15	16-50
<b>BASE UNIT GROUP</b>				
204187	Upper Sideshifting Bearing	2	4	8
208350	Lower Sideshifting Bearing	2	4	6
211689	Capscrew	4	8	8
213856	Cylinder Rod Kit	1	1	2
213605	Manifold Seal Kit	0	1	2
<b>ARM GROUP</b>				
213854	Lower Inner Fork Bearing Kit	1	2	4
769578	Capscrew – Outer Fork	4	4	8
769573	Capscrew – Outer Fork	4	4	8
769574	Capscrew – Inner Fork	4	4	8
769577	Capscrew – Inner Fork	4	4	8
219979	Gas Spring	2	4	6
219316	Arm Shim Kit	3	5	8
<b>FRAME CYLINDER</b>				
214622	Cylinder	0	1	2
214623	Cylinder/Shell	0	2	2
213783	End Cap	0	2	2
212452	Retainer	2	4	4
210090	Cylinder Service Kit	1	2	4
<b>SIDESHIFT CYLINDER</b>				
205842	Cylinder	0	0	1
562055	Rod	0	1	2
562792	Retainer	0	1	2
563487	Cylinder Service Kit	1	1	2
<b>HYDRAULICS</b>				
216838	Valve Assembly	0	0	1
219039	Check Valve	1	1	2
213535	Crossover Relief Valve	1	1	1
682170	Crossover Relief Valve Service Kit	1	1	2
219040	Flow Divider Cartridge	1	1	1
<b>MOUNTING GROUP</b>				
210591	Upper Hook – RH	1	2	3
210591	Upper Hook – LH	1	2	3
625968	Lower Hook	2	4	6
<b>PAINT</b>				
212988	12oz. Aerosol Can–Gray	1	1	1
<b>PUBLICATIONS</b>				
673900	Parts Manual	1	1	1
215793	Service Manual	1	1	1
213580	Operator's Guide	1	1	1
213372	Installation Instruction	1	1	1
679929	Tool Catalog	1	1	1
673964	Literature Index Order Form	1	1	1

■ See specific parts page for part number.





**Do you have questions you need answered right now?** Call your nearest Cascade Parts Department. Visit us online at [www.cascorp.com](http://www.cascorp.com)

**Cascade Corporation**

2501 Sheridan Avenue  
Springfield, OH 45505  
Tel: 888-CASCADE (227-2233)  
FAX: 888-329-0234

**Cascade Canada Inc.**

5570 Timberlea Blvd.  
Mississauga, Ontario  
Canada L4W-4M6  
Tel: 905-629-7777  
FAX: 905-629-7785

**Cascade GmbH**

D-41199 Monchengladbach  
Klosterhofweg 52  
Germany  
Tel: 49-216-668230  
FAX: 49-216-6682323

**Cascade Finland**

Albert Petreliuksenkatu 3  
01370 Vantaa  
Finland  
Tel: 358-9-836-1925  
FAX: 358-9-836-1935

**Cascade N.V.  
European Headquarters**

P.O. Box 3009  
1300 El Almere  
Damsluisweg 56  
1332 ED Almere  
The Netherlands  
Tel: 31-36-5492911  
FAX: 31-36-5492964

**Cascade N.V.  
Benelux Sales and Service**

P.O. Box 3009  
1300 El Almere  
Damsluisweg 56  
1332 ED Almere  
The Netherlands  
Tel: 31-36-5492950  
FAX: 31-36-5492974

**Cascade (UK) Ltd.**

15, Orgreave Crescent  
Dore House Industrial Estate  
Handsworth  
Sheffield S13 9NQ  
England  
Tel: 742-697524  
FAX: 742-695121

**Cascade Scandinavia AB**

Box 124  
Hammarvägen 10  
567 23 Vaggeryd  
Sweden  
Tel: 42-0-393-36950  
FAX: 46-0-393-36959

**Cascade Norway**

Østerliveien 37A  
1153 Oslo  
Norway  
Tel: 47-22-743160  
FAX: 47-22-743157

**Cascade France S.A.R.L.**

1D Rue De Charaintru  
BP 18, 91360 Epinay-Sur-Orge  
Morangis Cedex, France  
Tel: 33-1- 64547500  
FAX: 33-1-64547501

**Cascade Hispania S.A.**

Carrer 5 Sector C  
Zona Franca Duanera  
Poligono de la Zon Franca  
08040 Barcelona, Spain  
Office No. 256  
Tel: 93-264-07-30  
FAX: 93-264-07-31

**Cascade Japan Ltd.**

5-5-41,  
Torikai Kami  
Settsu, Osaka  
Japan, 566  
Tel: 81-726-53-3490  
FAX: 81-726-53-3497

**Cascade Korea**

108B, Namdong Ind Complex  
658-3 Gojan-Dong  
Namdong-Gu  
Inchon, 405-310 Korea  
Tel: 82-32-821-2051  
FAX: 82-32-821-2055

**Cascade Australia**

1445 Ipswich Road  
Rocklea, QLD 4106  
Australia  
Tel: 1-800227-223  
FAX: (07) 3373-7333

**Cascade New Zealand**

15 Ra Ora Drive  
East Tamaki, Auckland  
New Zealand  
Tel: 9-273-9136  
FAX: 9-273-9137

**Cascade (Africa) Pty. Ltd.**

P.O. Box 625, Isando 1600  
60A Steel Road  
Sparton, Kempton Park  
South Africa  
Tel: 27-11-975-9240  
FAX: 27-11-394-1147

**Cascade-Xiamen**

No. 668 Yangguang Rd.  
Xinyang Industrial Zone  
Haicang, Xiamen City  
Fujian Province  
P.R. China 361026  
Tel: 86-592-651-2500  
FAX: 86-592-651-2571

**Cascade (Singapore)  
Trading Co.**

Four Seasons Park  
Autumn Block - Apt. 1802  
12 Cuscaden Walk  
Singapore  
Tel: 65-834-1935  
FAX: 65-834-1936

