



# Parts Manual

---

Model Push/Pull

Serial Number 45E-PA-343

---

**cascade**<sup>®</sup>  
**corporation**

**For Technical Assistance call:** 800-227-2233, Fax: 888-329-8207

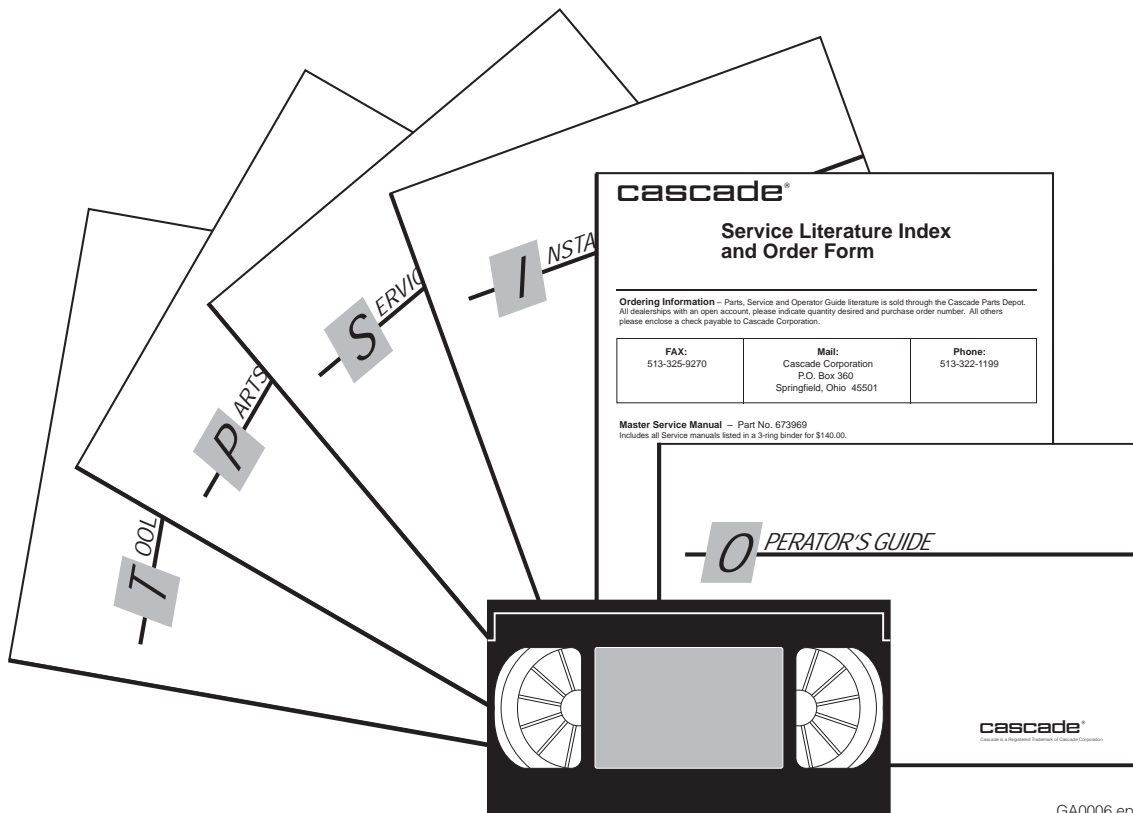
**To Order Parts call:** 888-227-2233, Fax: 888-329-0234

**OR**

**Write:** Cascade Corporation, P.O. Box 20187, Portland, OR 97220

**Internet:** [www.cascorp.com](http://www.cascorp.com)

# Publications

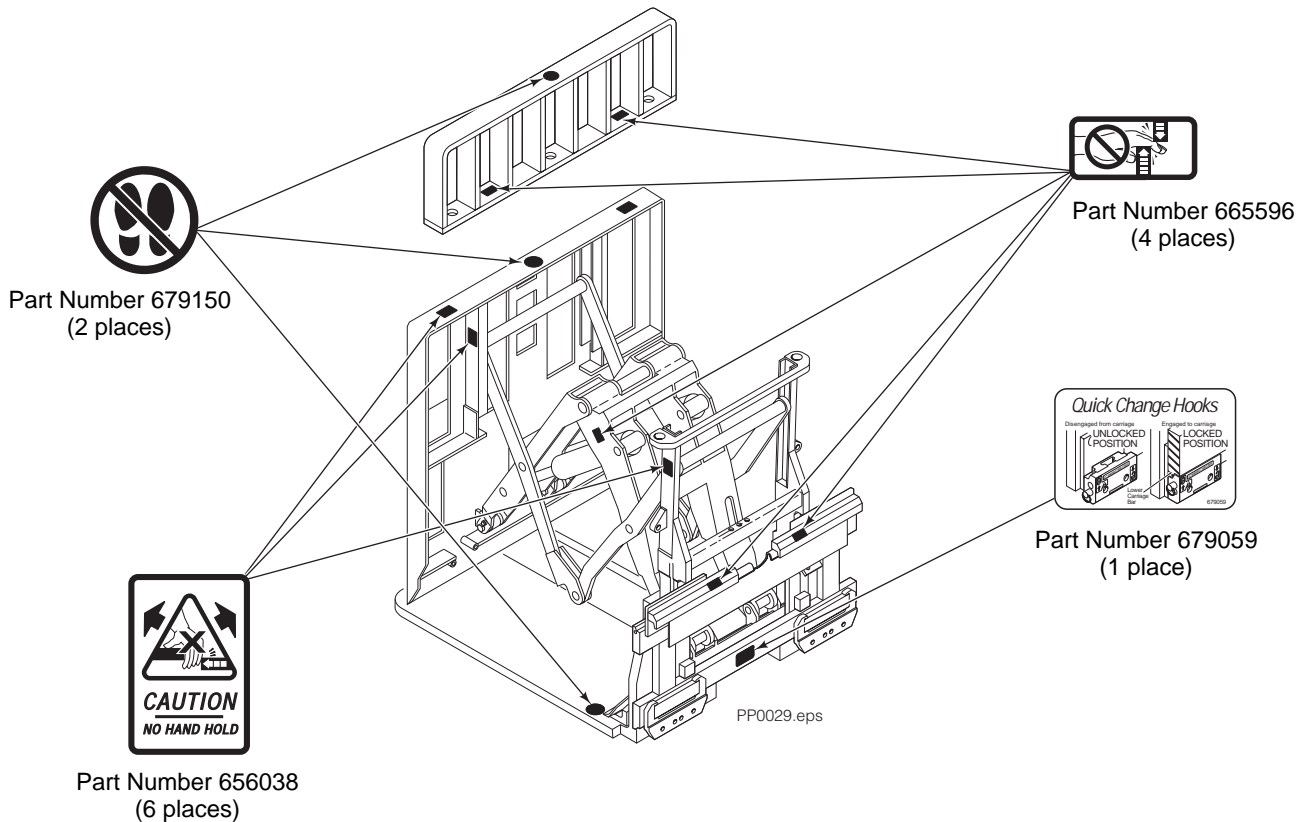


GA0006.eps

PART NO.	DESCRIPTION
	Parts Manual
686455	Service Manual
684945	Operators Guide
685531	Operators Pocket Guide
684944	Installation Instructions
680664	Servicing Cascade Cylinders-VHS
679929	Tool Catalog
673964	Literature Index Order Form

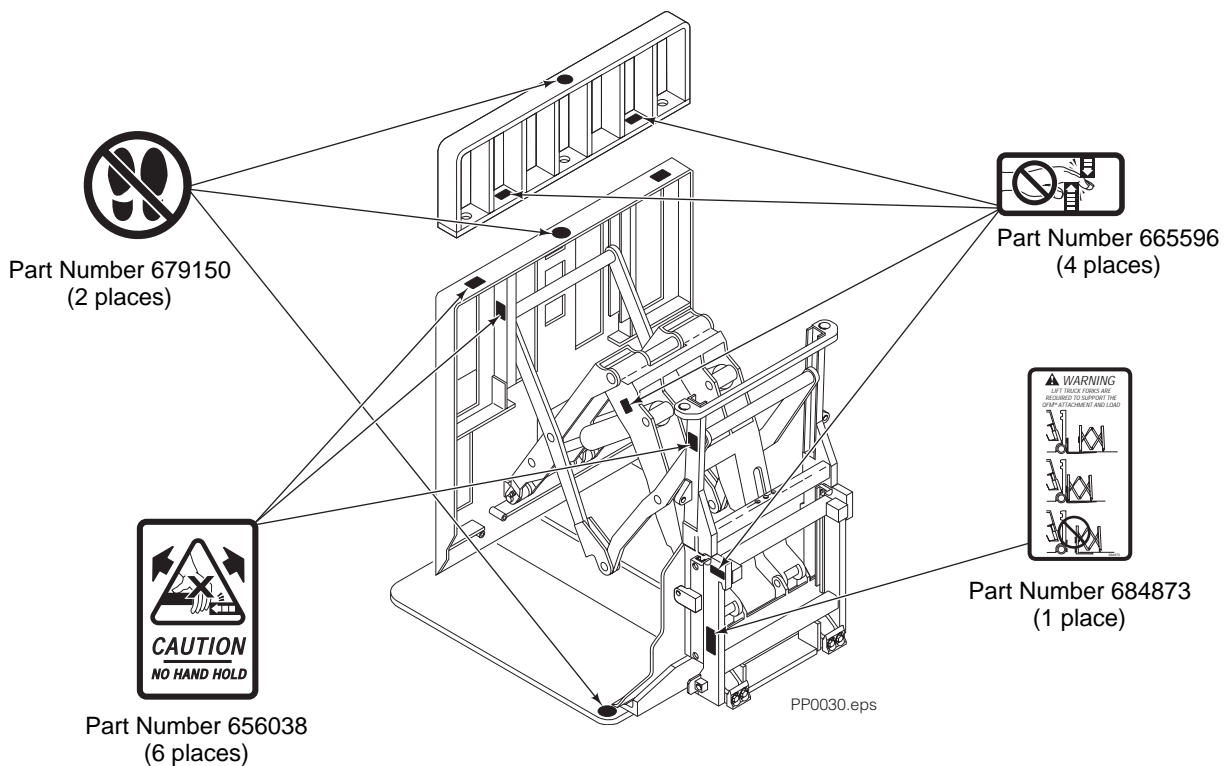
## Decals

### 35E/45E Sheet-Sav

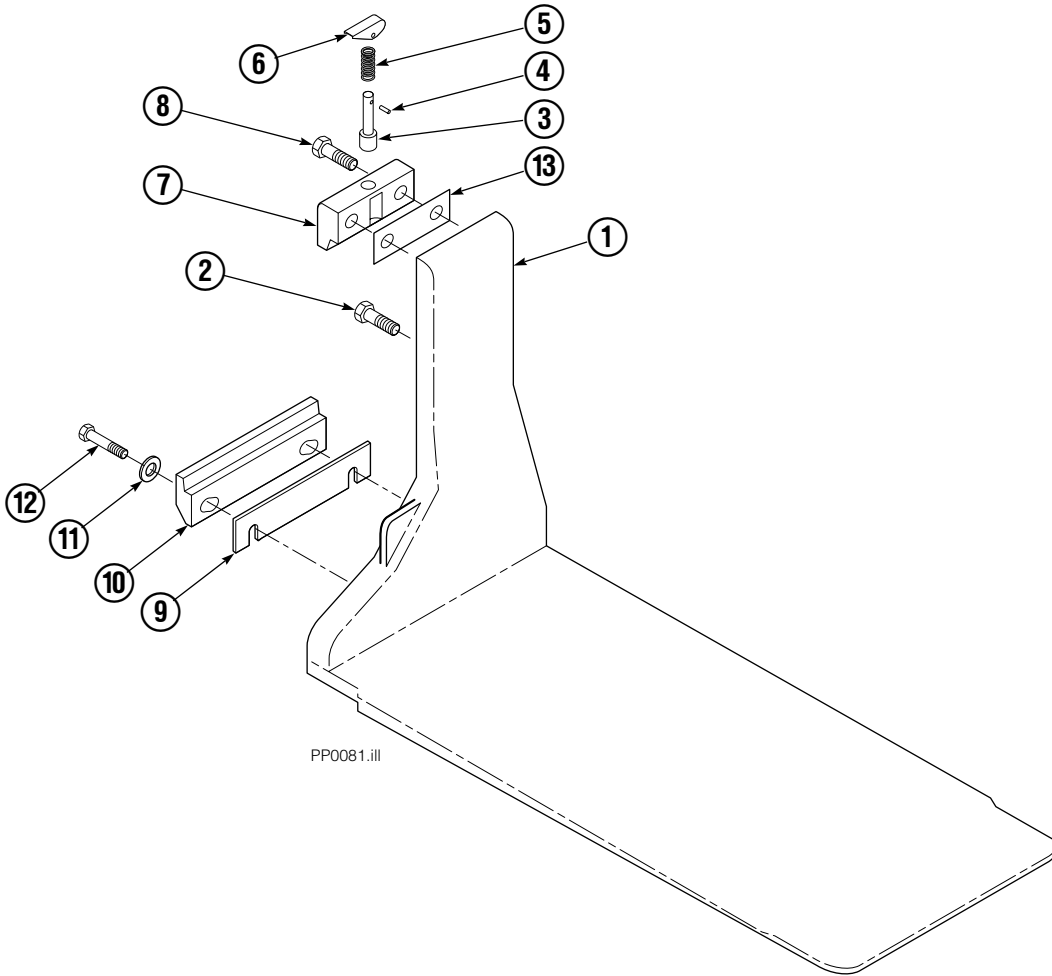


## Decals

### 35E/45E QFM™ Sheet-Sav



# Platens



PP0081.ill

**Note:** Usable platen lengths are determined by measuring from the faceplate (fully retracted position) to the platen tip or total platen length minus 4 1/2".

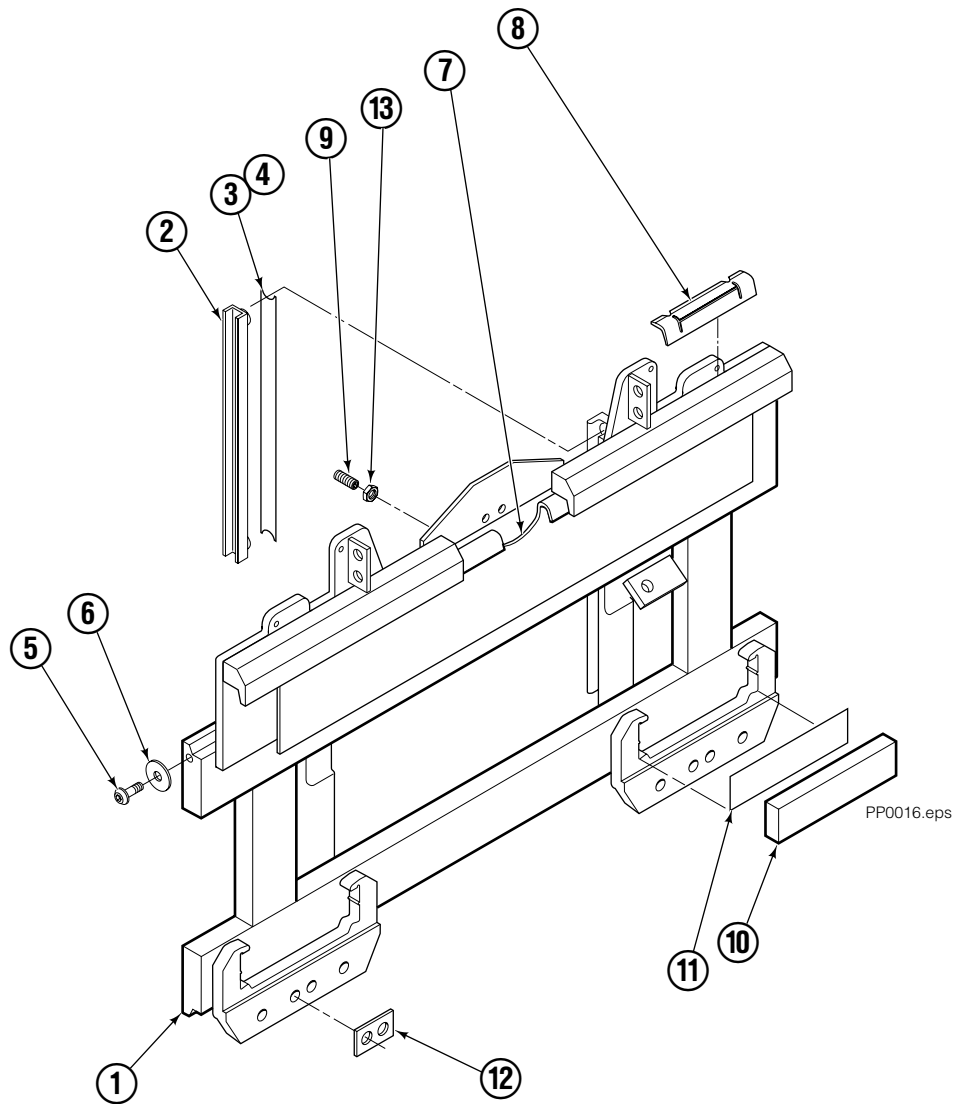
REF	QTY	PART NO.	DESCRIPTION
		387796	Platen Group
1	1	387797	Platens Modified
2	8	768840	Capscrew
3	2	622907	Pin
4	2	8007	Rivet
5	2	622908	Spring
6	2	622897	Handle
7	2	688386	Upper Hook
8	4	685534	Capscrew
9	★	206969	Shim (.030)
10	2	682851	Lower Hook
11	4	667225	Washer
12	4	209016	Capscrew
13	●	688379	Shim (.060)

★ As required.

● As required (2 maximum)

Items 3 through 7 may be ordered as assembly 688386.

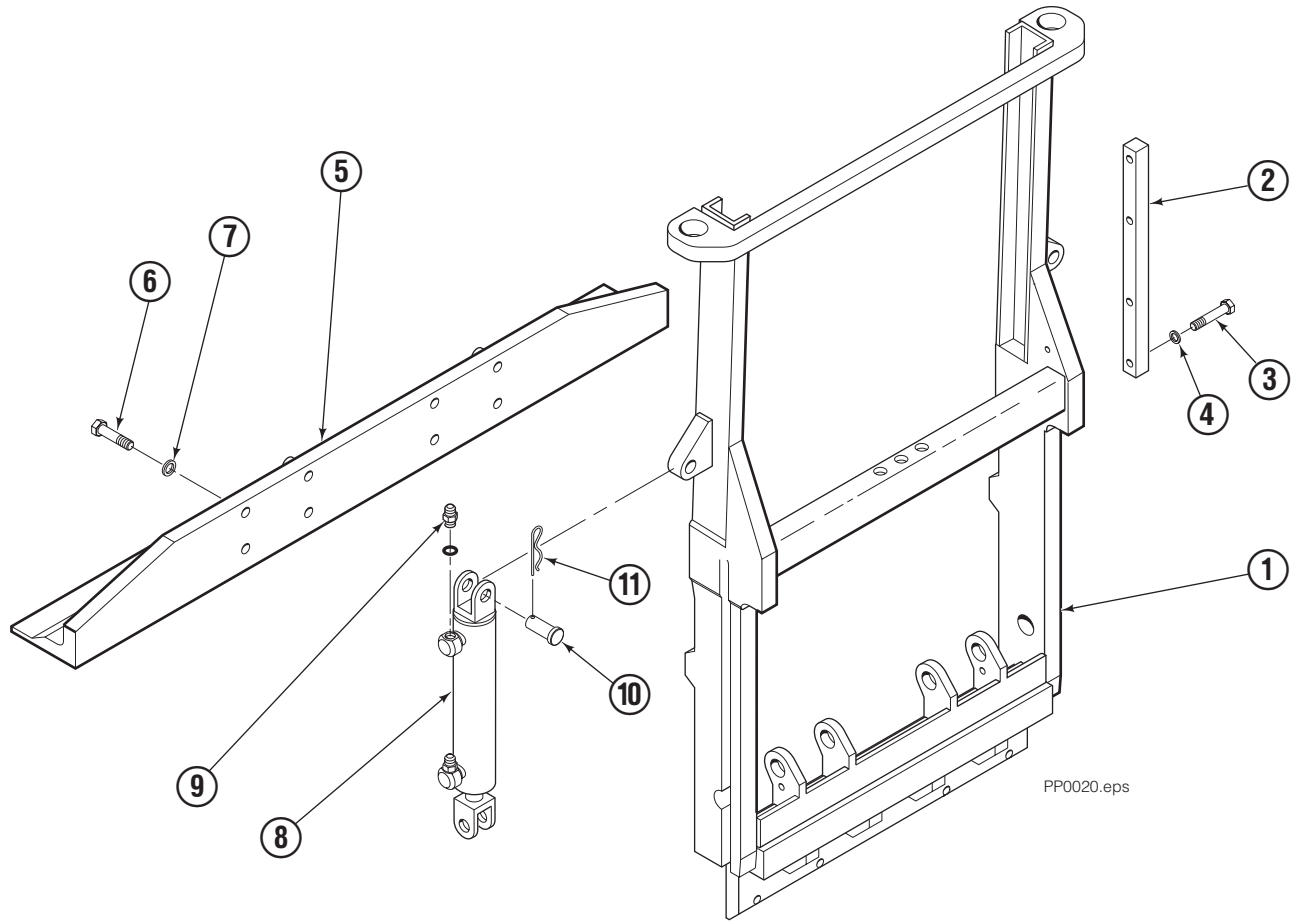
# Non S/S Platen Carrier Group ITA III



35E/45E			
REF	QTY	PART NO.	DESCRIPTION
		387799	Platen Carrier Group
1	1	387798	Platen Carrier
2	2	206964	Bearing
3	■	674298	Shim (.015)
4	■	674299	Shim (.020)
5	2	683142	Capscrew
6	2	683001	Washer
7	1	200314	Anchor Bracket
8	2	672018	Bearing
9	2	768759	Setscrew
10	2	682814	Bearing
11	2	683250	Strip
12	2	683218	Spacer
13	2	---	Jam Nut

■ As required maximum 1 per side.

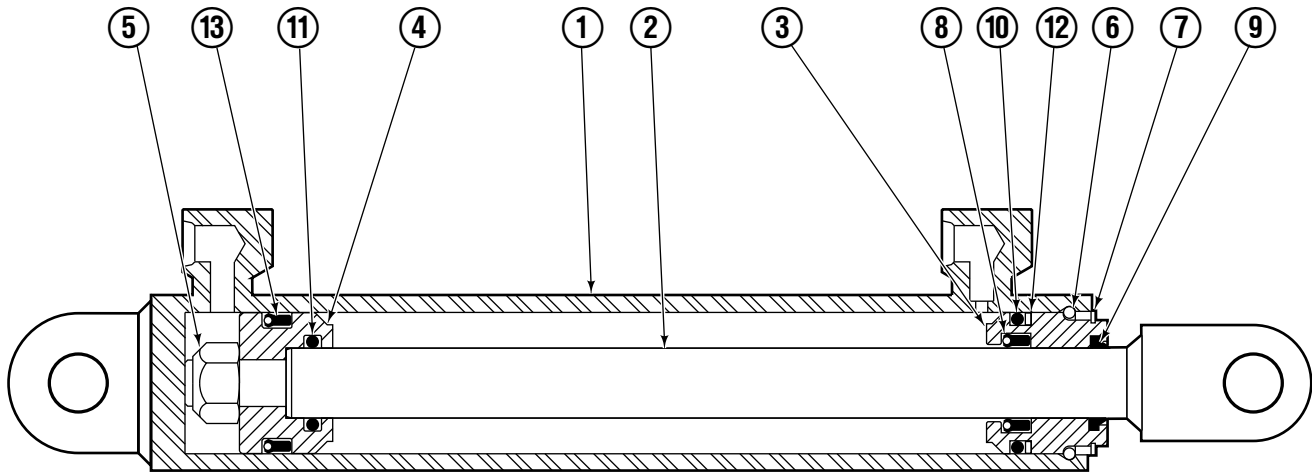
# Frame Group



REF	QTY	PART NO.	DESCRIPTION
		371585	Frame Group
1	1	371608	Frame
2	1	372234	Bar
3	2	768525	Capscrew
4	2	686119	Washer
5	1	371779	Foot
6	8	766929	Capscrew
7	8	678991	Lockwasher
8	2	● 583942	Cylinder
9	4	617915	Fitting, 4-4
10	4	678525	Pin-Clevis
11	4	672726	Cotter Pin

● See Cylinder page for parts breakdown.

# Sheet-Sav Cylinder

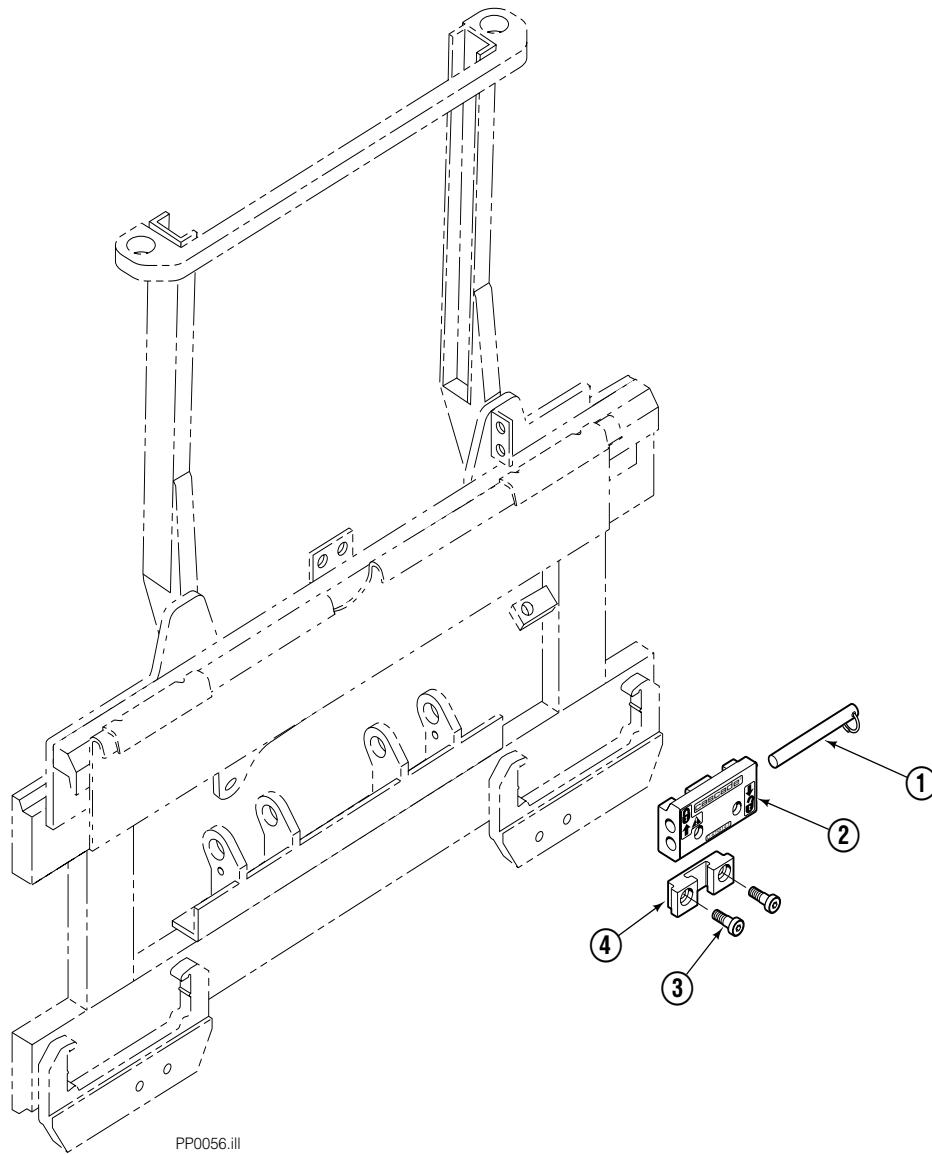


PP0023.eps

35E/45E			
REF	QTY	PART NO.	DESCRIPTION
		583942	Cylinder Assembly
1	1	564162	Shell
2	1	564165	Rod
3	1	685664	Retainer
4	1	685665	Piston
5	1	563462	Nut
6	1	563916	Ring-Stop
7	1	3137	Retaining Ring
▼ 8	1	646540	Seal
▼ 9	1	646850	Wiper
▼ 10	1	2718	O-Ring
▼ 11	1	2710	O-Ring
▼ 12	1	615122	Back-up Ring
▼ 13	1	663728	Seal

▼ Included in Service Kit 684827.

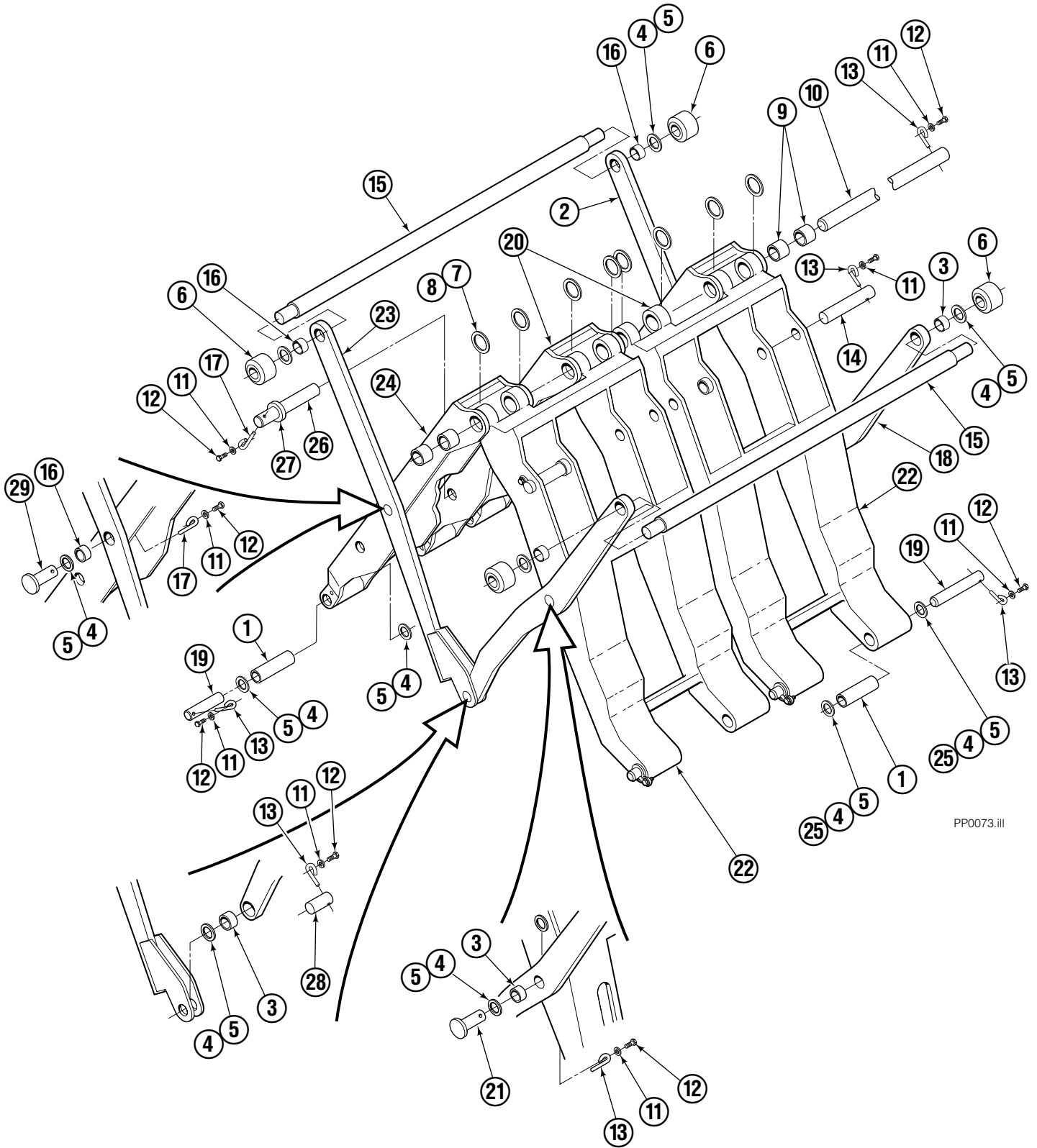
# Quick-Change Lower Hook Group – ITA III



REF	QTY	PART NO.	DESCRIPTION
		683181	Lower Hook Group ITA III
1	2	678832	Pin
2	2	675957	Hook
3	4	779019	Capscrew, M16 x 35
4	2	675958	Guide

# Mechanism Group

58 in. Wide - 50 in. to 62 in. Stroke



PP0073.iii

# Mechanism Group

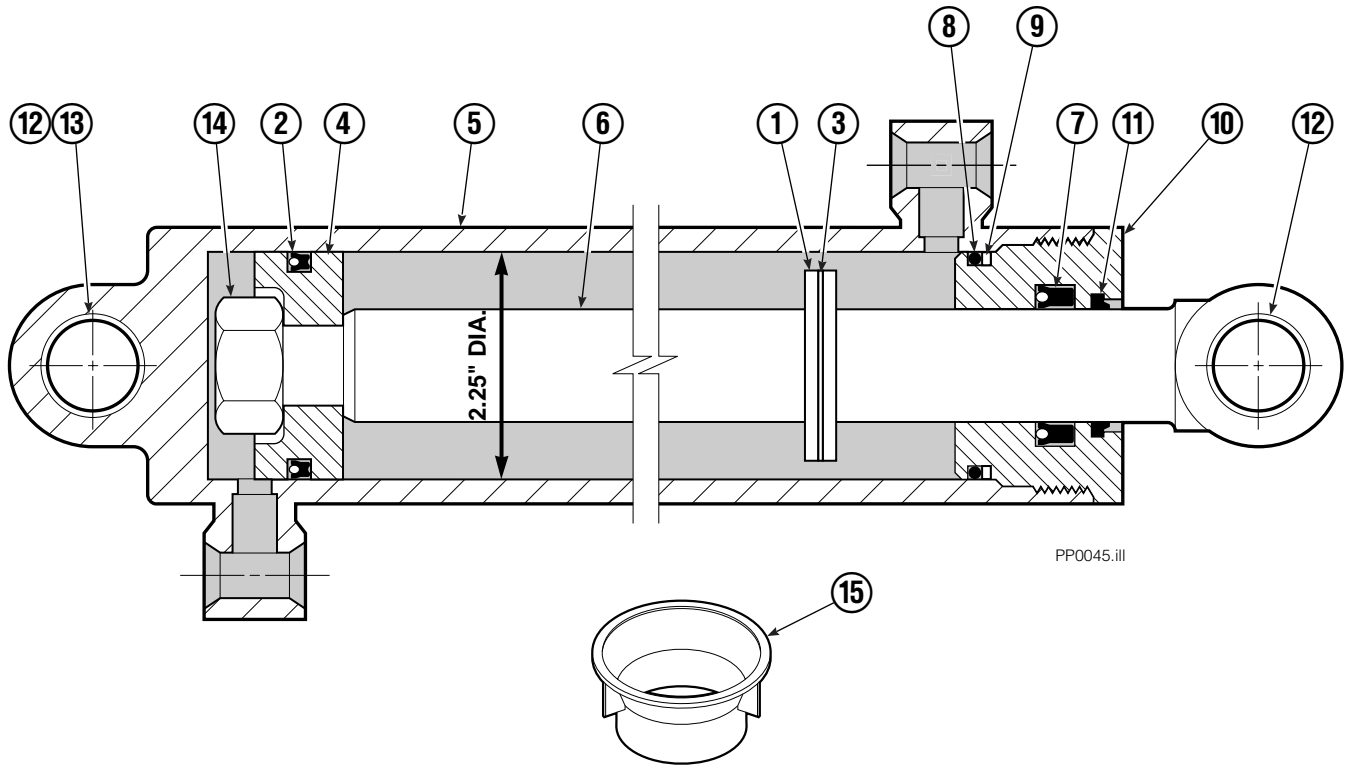
## 58 in. Wide - 50 in. to 62 in. Stroke

<b>35E/45E</b>			
REF	QTY	PART NO	DESCRIPTION
		204423	Mechanism Group
1	7	204535	Bushing ■
2	1	204522	Arm-Secondary Outer RH
3	6	683154	Bushing
4	●	683161	Shim
5	●	683162	Shim
6	4	205070	Roller
7	●	683163	Shim
8	●	683164	Shim
9	8	683155	Bushing ■
10	1	204596	Pin
11	19	6229	Washer
12	19	685661	Capscrew, M8x1.25x14-8.8
13	15	682999	Eye-Pin
14	2	682822	Pin-Head
15	2	205067	Pin
16	4	689202	Bushing ■
17	4	689954	Eye-Pin
18	2	204520	Arm-Outer Primary
19	7	204533	Pin-Frame
20	2	204519	Arm-Inner Secondary RH
21	2	689198	Pin-Primary Outer
22	2	204517	Arm-Inner Primary
23	1	204521	Arm-Secondary Outer LH
24	1	204518	Arm-Inner Secondary LH
25	●	204532	Shim
26	2	682823	Pin-Rod
27	2	683165	Spacer
28	2	204534	Pin-Outer
29	2	204600	Pin-Secondary Outer

● Quantity as required.

■ Included in Service Kit 205077.

# Cylinder

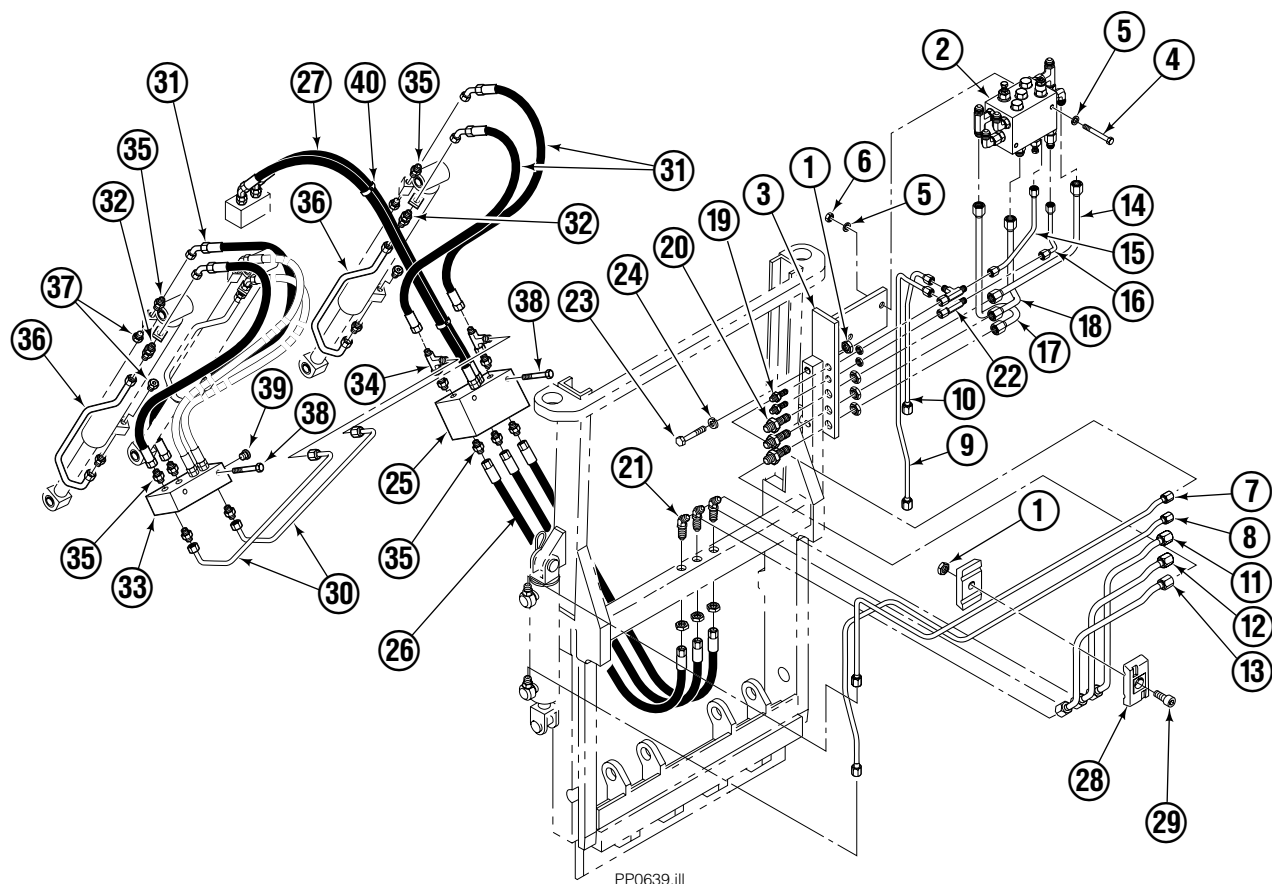


REF	QTY	PART NO.	DESCRIPTION
		582636	Cylinder Assembly
1	1	-	Spacer
2	1	564159	Seal ■
3	1	7348	Snap Ring
4	1	564161	Piston
5	1	562717	Shell
6	1	558626	Rod
7	1	662448	Seal ■
8	1	2787	O-Ring ■
9	1	615130	Back-Up Ring ■
10	1	558628	Retainer
11	1	636853	Wiper ■
12	4	559697	Bearing
13	1	559698	Spacer
14	1	678019	Nut
15	1	671048	Seal Loader Kit ■

■ Included in Service Kit 562339.

Ref: S-3424

# Hydraulic Group



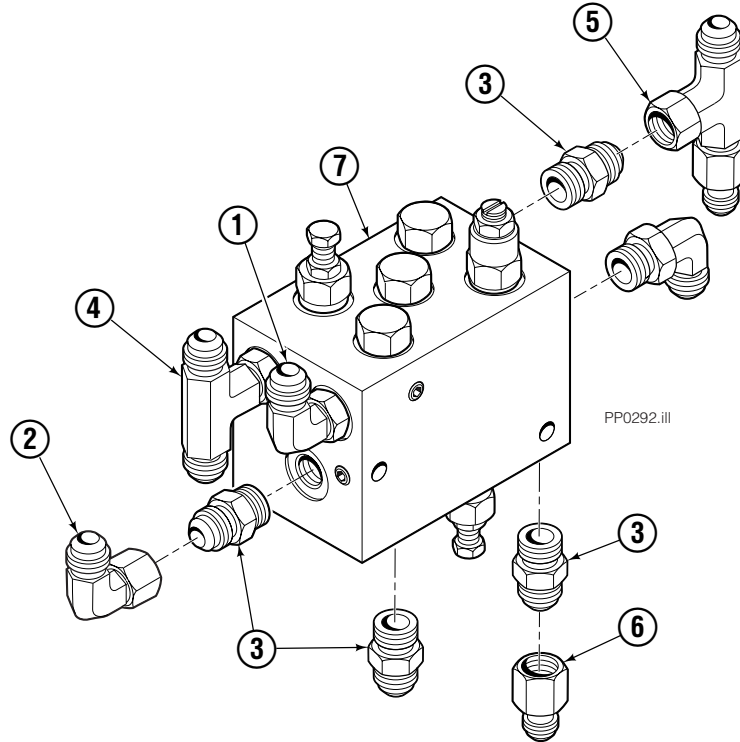
## 35E/45E

REF	QTY	PART NO.	DESCRIPTION	REF	QTY	PART NO.	DESCRIPTION
		387795	Hydraulic Group	21	3	2492	Fitting, 6-6
1	3	767414	Nut, M8	22	2	617923	Fitting, 4-4
2	1	372423	Valve ♦	23	2	768525	Capscrew, M8 x 40
3	1	372775	Valve Bracket	24	6	686119	Washer, M8
4	2	768521	Capscrew, M6 x 80	25	1	206927	Junction Block
5	4	202346	Washer, M6	26	3	200480	Hose, 23.25 in.
6	2	685906	Nut, M6	27	1	689204	Hose
7	1	371602	Tube	28	2	207041	Clamp
8	1	371607	Tube	29	1	768794	Capscrew, M8 x 20
9	1	372785	Tube	30	2	200322	Tube ●
10	1	372784	Tube	31	4	200005	Hose, 18.5 in. ●
11	1	372428	Tube	32	2	2375	Fitting, 6-6 ●
12	1	372427	Tube	33	1	200372	Junction Block ●
13	1	372783	Tube	34	2	611307	Fitting, 6-6 ●
14	1	372780	Tube	35	15	604511	Fitting 6-6 ●
15	1	372782	Tube	36	1	682995	Tube ●
16	1	372781	Tube	36	1	200647	Tube ●
17	1	372779	Tube	37	4	604510	Fitting, 6 ●
18	1	372778	Tube	38	4	765329	Capscrew, M8 x 20 ●
19	2	2373	Fitting, 4-4	39	2	663694	Plug, 3 ●
20	3	2375	Fitting, 6-6	40	2	684956	Cable Tie

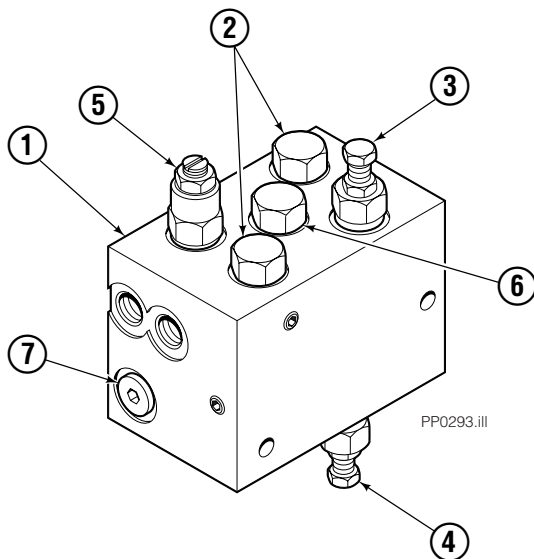
♦ See Valve page for parts breakdown.

● Included in Hydraulic Components Group 200321.

# Valve Assembly

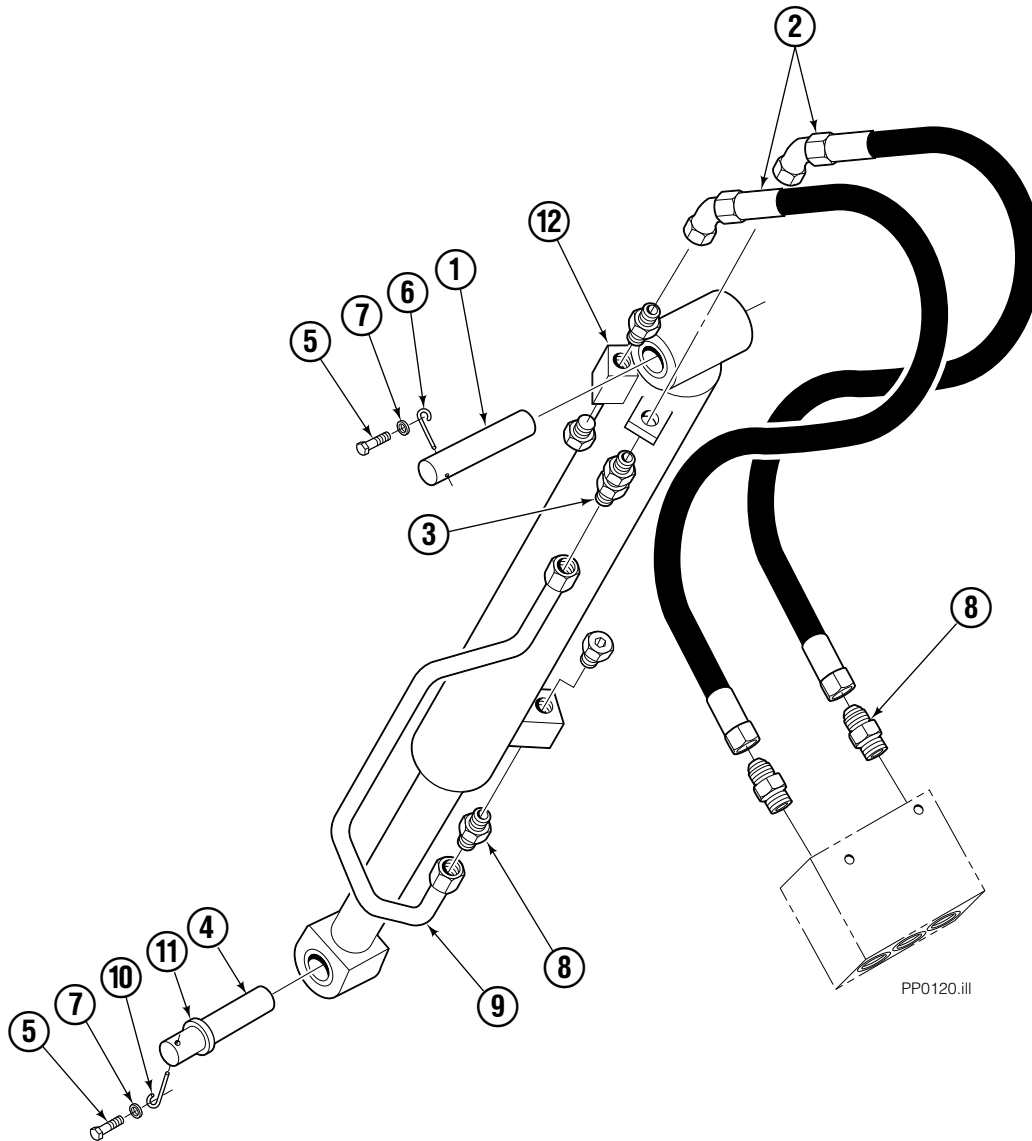


REF	QTY	PART NO.	DESCRIPTION
		372423	Valve Assembly
1	2	601676	Fitting, 6-6
2	1	2680	Fitting
3	4	604511	Fitting, 6-6
4	1	611311	Fitting, 6-6
5	1	610892	Fitting, Tee
6	2	2669	Fitting, 6-4
7	1	677783	Valve Assembly



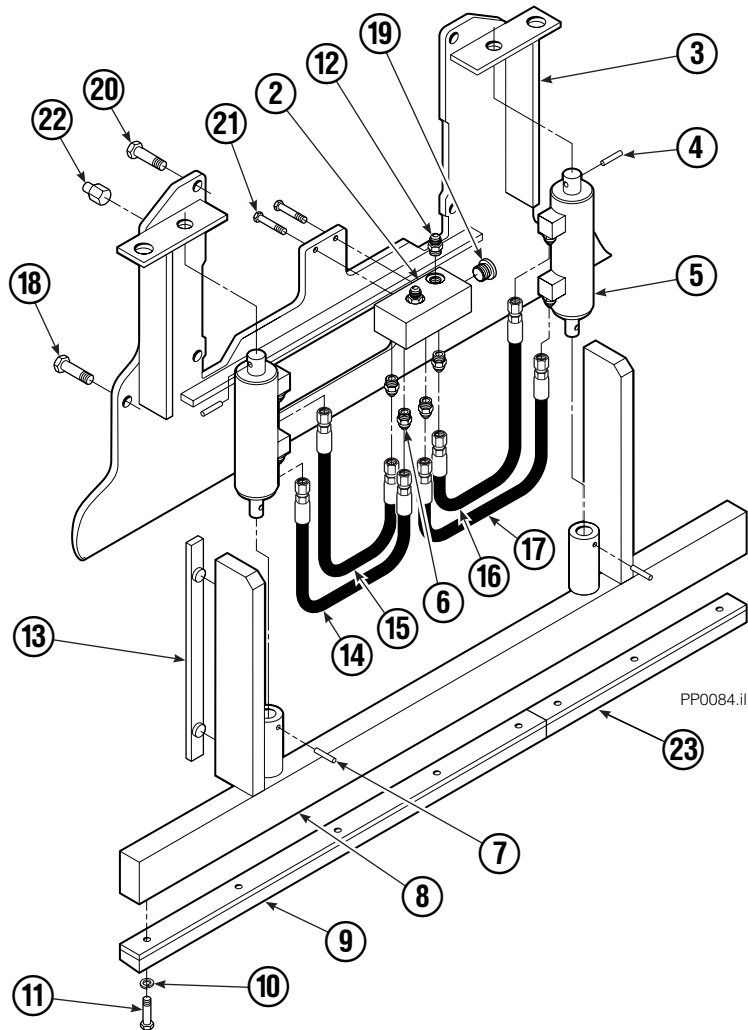
REF	QTY	PART NO.	DESCRIPTION
		677783	Valve Assembly
1	1	677784	Body
2	2	659058	Check Valve - PO
3	1	333363	Relief Valve
4	1	677125	Relief Valve
5	1	677126	Counter Balance Valve
6	1	677786	Check Valve
7	1	604510	Plug

# Third Cylinder Group



REF	QTY	PART NO.	DESCRIPTION
		201024	Third Cylinder Group
1	1	682822	Head Pin
2	2	200005	Hose
3	1	2375	Fitting, 6-6
4	1	682823	Rod Pin
5	2	685661	Capscrew, M8x1.25x15-8.8
6	1	682999	Eye Pin
7	2	6229	Washer
8	4	604511	Fitting, 6-6
9	1	682995	Tube
10	1	689954	Eye Pin
11	1	683165	Spacer
12	1	582636	Cylinder

# Faceplate Group

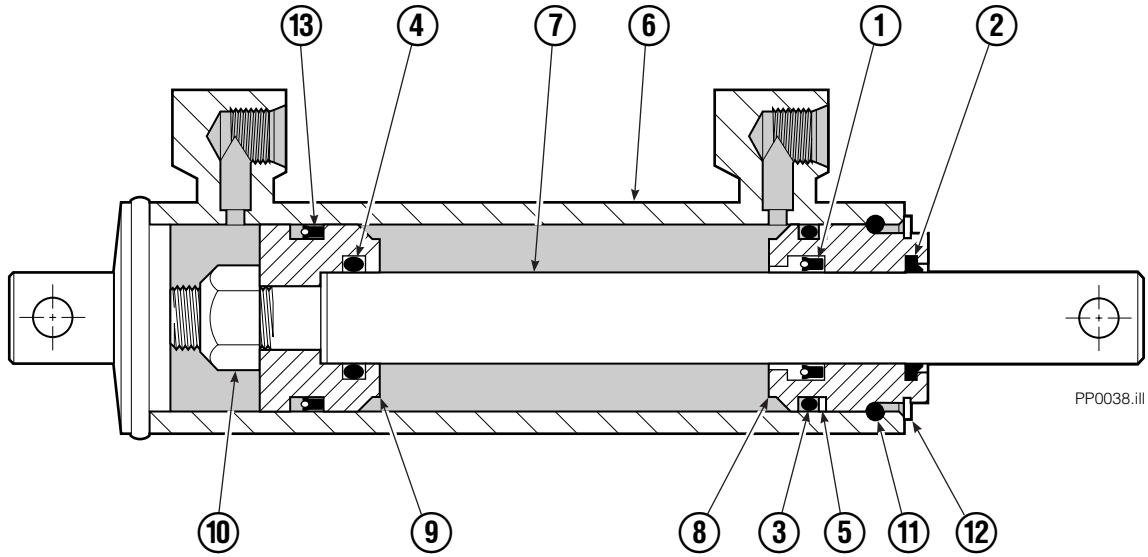


## 35E/45E

REF	QTY	PART NO.	DESCRIPTION	REF	QTY	PART NO.	DESCRIPTION
		205975	Faceplate Group 62" x 54" ■	12	2	604511	Fitting, 6-6
		205962	Gripper Jaw Assembly ●	13	2	686573	Bearing
1	1	204495	Faceplate 62" x 54" ■	14	1	205957	Hose
2	1	205959	Junction Block	15	1	205958	Hose
3	1	201905	Gripper Jaw	16	1	206382	Hose
4	2	673385	Drive Pin	17	1	206381	Hose
5	2	682844	Gripper Cylinder ▼	18	2	768710	Capscrew
6	8	617915	Fitting, 4-4	19	2	609234	Plug, 4
7	2	200877	Drive Pin	20	4	779010	Capscrew
8	1	206404	Gripper Bar	21	2	763166	Capscrew, M8x1,25x25-8.8
9	1	672712	Gripper Pad	22	4	682850	Stop
10	8	6444	Lockwasher	23	1	689164	Gripper Pad Mod.
11	8	768794	Capscrew, M8x1,25x20-8.8				

- Width x height.
- Includes items 2 through 23.
- ▼ See Gripper Cylinder page for parts breakdown.

# Gripper Cylinder



PP0038.III

35E/45E			
REF	QTY	PART NO.	DESCRIPTION
		682844	Gripper Cylinder
▼ 1	1	646540	Seal
▼ 2	1	636850	Wiper
▼ 3	1	2718	O-Ring
▼ 4	1	2710	O-Ring
▼ 5	1	615122	Back-Up Ring
6	1	685662	Shell
7	1	685663	Rod
8	1	685664	Retainer
9	1	685665	Piston
10	1	563462	Nut
11	1	563916	Ring
12	1	684284	Snap Ring
▼ 13	1	663728	Piston Seal

▼ Included in Service Kit 684827.



**Do you have questions you need answered right now?** Call your nearest Cascade Parts Department.

**Cascade Corporation**  
2501 Sheridan Avenue  
Springfield, OH 45505  
Tel: 888-CASCADE (227-2233)  
FAX: 888-329-0234  
www.cascorp.com

**Cascade Canada Inc.**  
5570 Timberlea Blvd.  
Mississauga, Ontario  
Canada L4W-4M6  
Tel: 905-629-7777  
FAX: 905-629-7785

**Cascade GmbH**  
D-41199 Monchengladbach  
Klosterhofweg 52  
Germany  
Tel: 21-66-602091  
FAX: 21-66-680947

**Cascade Finland**  
01370 Vantas  
Finland  
Tel: 358-0-836-1925  
FAX: 358-0-836-1935

**Cascade N.V.  
European Headquarters**  
P.O. Box 3009  
1300 El Almere  
Damsluisweg 56  
1332 ED Almere  
The Netherlands  
Tel: 31-36-5492911  
FAX: 31-36-5492964

**Cascade N.V.  
Benelux Sales and Service**  
P.O. Box 3009  
1300 El Almere  
Damsluisweg 56  
1332 ED Almere  
The Netherlands  
Tel: 31-36-5492950  
FAX: 31-36-5492974

**Cascade (UK) Ltd.**  
15, Orgreave Crescent  
Dore House Industrial Estate  
Handsworth  
Sheffield S13 9NQ  
England  
Tel: 742-697524  
FAX: 742-695121

**Cascade Scandinavia  
Hydraulik A.B.**  
Muskötgatan 19, E8-9  
S25466 Helsingborg  
Sweden  
Tel: 42-151135  
FAX: 42-152997

**Cascade Norway**  
Østerliveien 37A  
1153 Oslo  
Norway  
Tel: 47-22-743160  
FAX: 47-22-743157

**Cascade France S.A.R.L.**  
11, Rue Jean Charcot  
Zone Industrielle Sud or  
B.P. 22  
91421 Morangis Cedex  
France  
Tel: 1- 64547501  
FAX: 1-9790584

**Cascade Hispania S.A.**  
Avenida De La Fabregada, 7  
Hospitalet De Llobregat  
Barcelona  
Spain  
Tel: 3-335-5158  
FAX: 3-335-4756

**Cascade Japan Ltd.**  
5-5-41,  
Torikai Kami  
Settsu, Osaka  
Japan, 566  
Tel: 81-726-53-3490  
FAX: 81-726-53-3497

**Cascade Korea**  
Room 508, Pum Yang Bldg.  
750-14, Bang Bac-Dong  
Se-Cho Ku, Seoul  
Korea  
Tel: 2599-7131 ext. 512  
FAX: 2533-8089

**HYCO-Cascade Pty. Ltd.**  
1445 Ipswich Road  
Rocklea,  
Queensland 4107  
Australia  
Tel: 3-274-2722  
FAX: 3-274-3456

**HYCO-Cascade (NZ) Ltd.**  
15 Ra Ora Drive, East Tamaki  
P.O. Box 38-440  
Howick, Auckland  
New Zealand  
Tel: 9-273-9136  
FAX: 9-273-9137

**Cascade (Africa) Pty. Ltd.**  
P.O. Box 625, Isando 1600  
60A Steel Road  
Sparton, Kempton Park  
South Africa  
Tel: 975-9240  
FAX: 394-1147

**Cascade-Xiamen**  
Wanshan No. 1 Workshop  
Huli Road  
Xiamen 361006  
Fujian, PRC  
Tel: 592-562-4600  
FAX: 592-562-4671

**Cascade (Singapore)  
Trading Co.**  
Four Seasons Park  
Autumn Block - Apt. 1802  
12 Cascaden Walk  
Singapore  
Tel: 65-834-1935  
FAX: 65-834-1936

