



Parts Manual

Model Single-Double Pallet Handler

Serial Number 55E-FD-081

cascade[®]

For Technical Assistance and to Order Parts . . .

Call: 1-800-CASCADE or 503-669-6300

OR

Write: Cascade Corporation, P.O. Box 20187, Portland, OR 97220

Decals



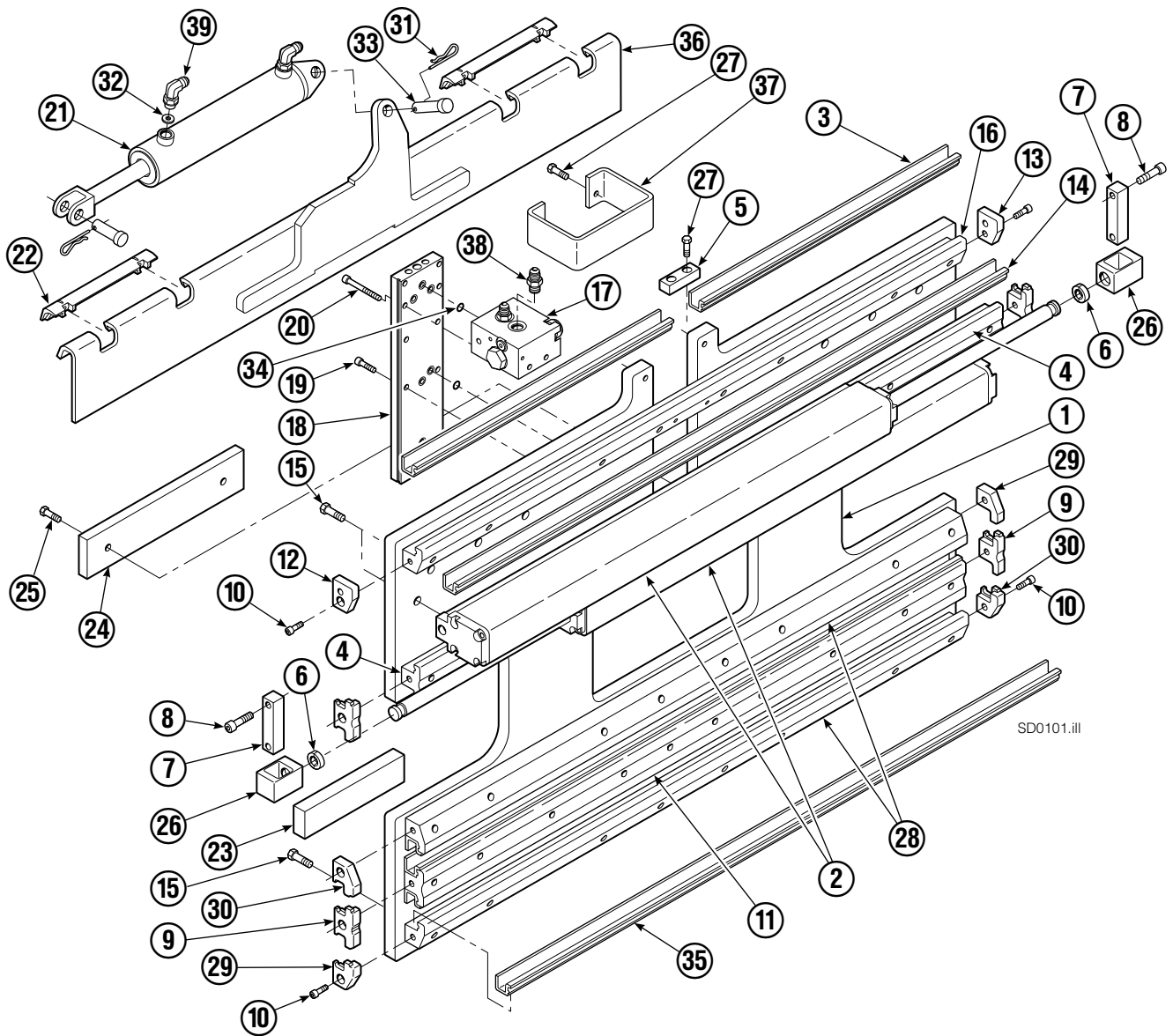
55E			
REF	QTY	PART NO.	DESCRIPTION
1	6	665595	No Hand Hold Decal
2	4	679150	No Step Decal

Publications



55E	
PART NO.	DESCRIPTION
	Parts Manual
213580	Operator's Guide
213372	Installation Instructions
679929	Tool Catalog
673964	Literature Index Order Form

Base Unit Group – ITA Class III



SD0101.iii

Base Unit Group – ITA Class III

55E			
REF	QTY	PART NO.	DESCRIPTION
		393369	Base Unit Group – Class III
1	1	212428	Baseplate Class – III
2	2	212696	Frame Cylinder ★
3	2	4318-0490	Bearing Segment
4	2	212554	T-Bar – Upper
5	1	212722	Fork Stop

Common Parts

REF	QTY	PART NO.	DESCRIPTION	REF	QTY	PART NO.	DESCRIPTION
6	4	210490	Retainer Half Ring ■	24	1	212740	Spacer Block
7	2	210489	Rod End Anchor ■	25	2	767615	Capscrew, M10 x 25
8	4	768303	Capscrew, M10 x 35 ■	26	2	209741	Rod End ■
9	4	210140	Bearing Retainer	27	4	684649	Capscrew, M10 x 25
10	10	787375	Capscrew, M8 x 20 GR 8.8	28	2	212571	T-Bar – Lower
11	1	212556	T-Bar – Lower	29	2	212585	Bearing Retainer
12	1	211380	Retainer/Stop – RH	30	2	212586	Bearing Retainer
13	1	211379	Retainer/Stop – LH	31	2	672726	Cotter Pin
14	4	4318-1050	Bearing Segment	32	1	675550	Washer
15	50	211689	Capscrew, M12 x 30 GR 10.9	33	2	678525	Clevis Pin
16	1	212562	T-Bar – Upper	34	7	214053	O-Ring
17	1	212566	Valve Assembly ▲	35	4	4318-1040	Bearing Segment
18	1	211456	Manifold	36	1	211371	Anchor Bracket
19	6	768208	Capscrew, M8 x 25	37	1	212741	Valve Guard
20	4	768795	Capscrew, M8 x 30	38	2	604511	Fitting, 6-6
21	1	675548	Sideshift Cylinder ●	39	2	601676	Fitting, 6-6
22	2	672018	Upper Bearing	40	1	389770	Center Alignment Post (not shown)
23	2	208350	Lower Bearing	41	2	768810	Capscrew, M10 x 30 (not shown)

★ See Frame Cylinder page for parts breakdown.

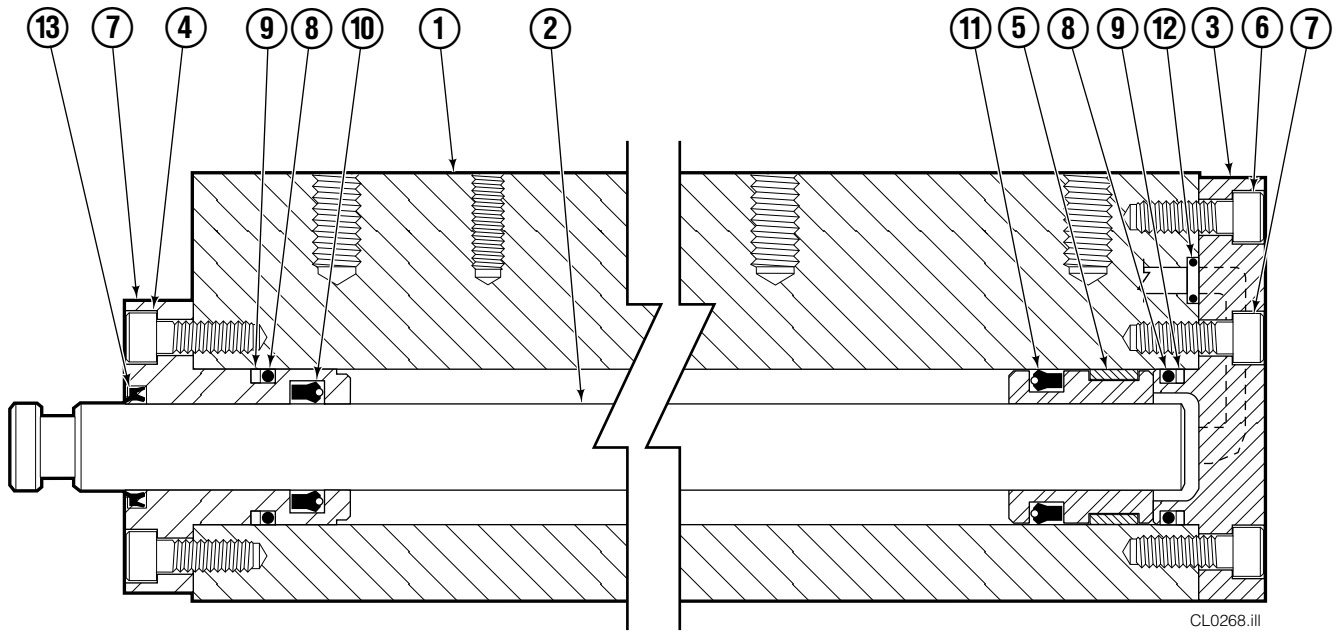
● See Sideshift Cylinder page for parts breakdown.

▲ See Valve Assembly – Class III page for parts breakdown.

Reference: SK-6131.

■ Included in Cylinder Rod Anchor Kit 213856.

Frame Cylinder



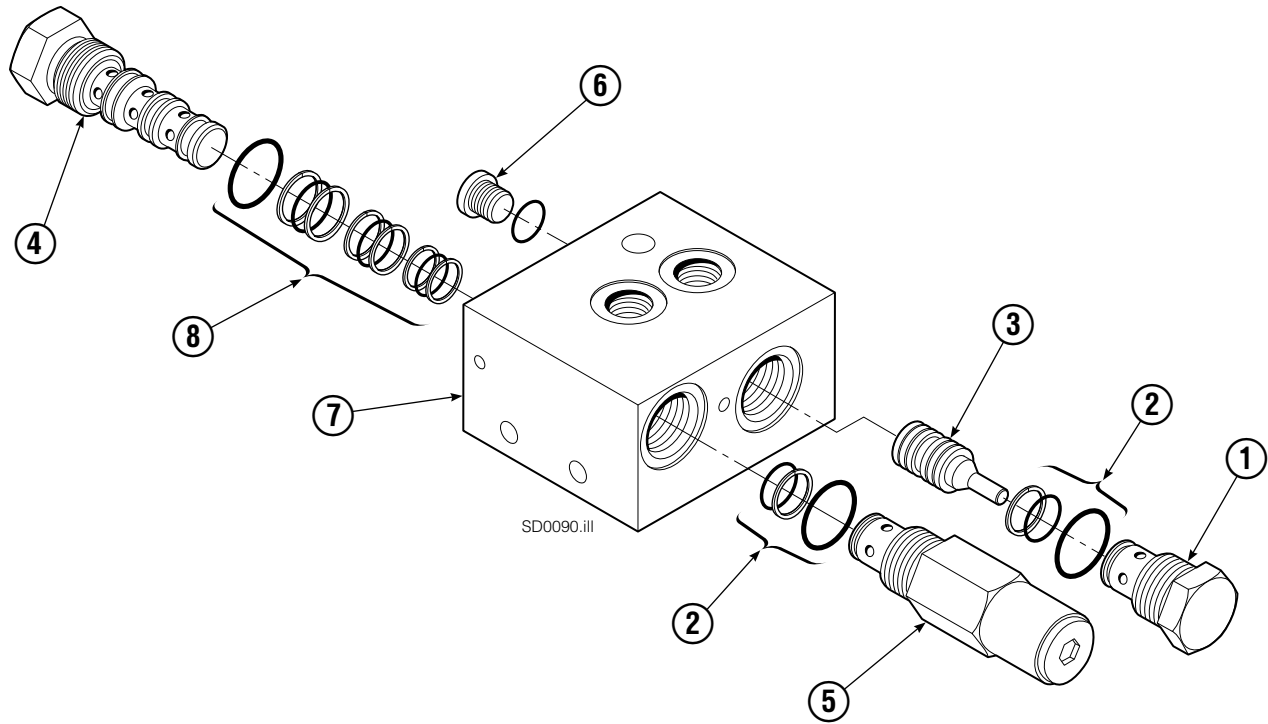
CL0268.ill

55E							
REF	QTY	PART NO.	DESCRIPTION	REF	QTY	PART NO.	DESCRIPTION
		212696	Cylinder Assembly-26 in. (660 mm)	8	3	210053	O-Ring ▲
1	1	212697	Cylinder/Shell	9	2	210050	Back-Up Ring ▲
2	1	4157-805	Rod	10	1	212477	Seal ▲
3	1	209801	End Cap	11	1	209808	Seal ▲
4	8	768208	Capscrew, M8 x 25	12	2	210092	O-Ring ▲
5	1	209809	Bearing ▲	13	1	562131	Wiper ▲
6	1	787375	Capscrew, M8 x 20			210090	Service Kit
7	1	212452	Retainer				

▲ Included in Service Kit 210090.

Reference: S-4152, S-4151.

Valve ITA Class III



55E			
REF	QTY	PART NO.	DESCRIPTION
		212566	Valve Assembly
1	1	209847	Check Valve
2	2	682170	Service Kit ▲
3	1	210265	Piston
4	1	210266	Flow Divider/Combiner
5	1	213535	Crossover Relief Valve
		609234	Fitting, 4
7	1	211454	Valve Body
8	1	679992	Service Kit ▲
		213604	Valve Service Kit

▲ Included in Valve Service Kit 213604.

Sideshift Cylinder

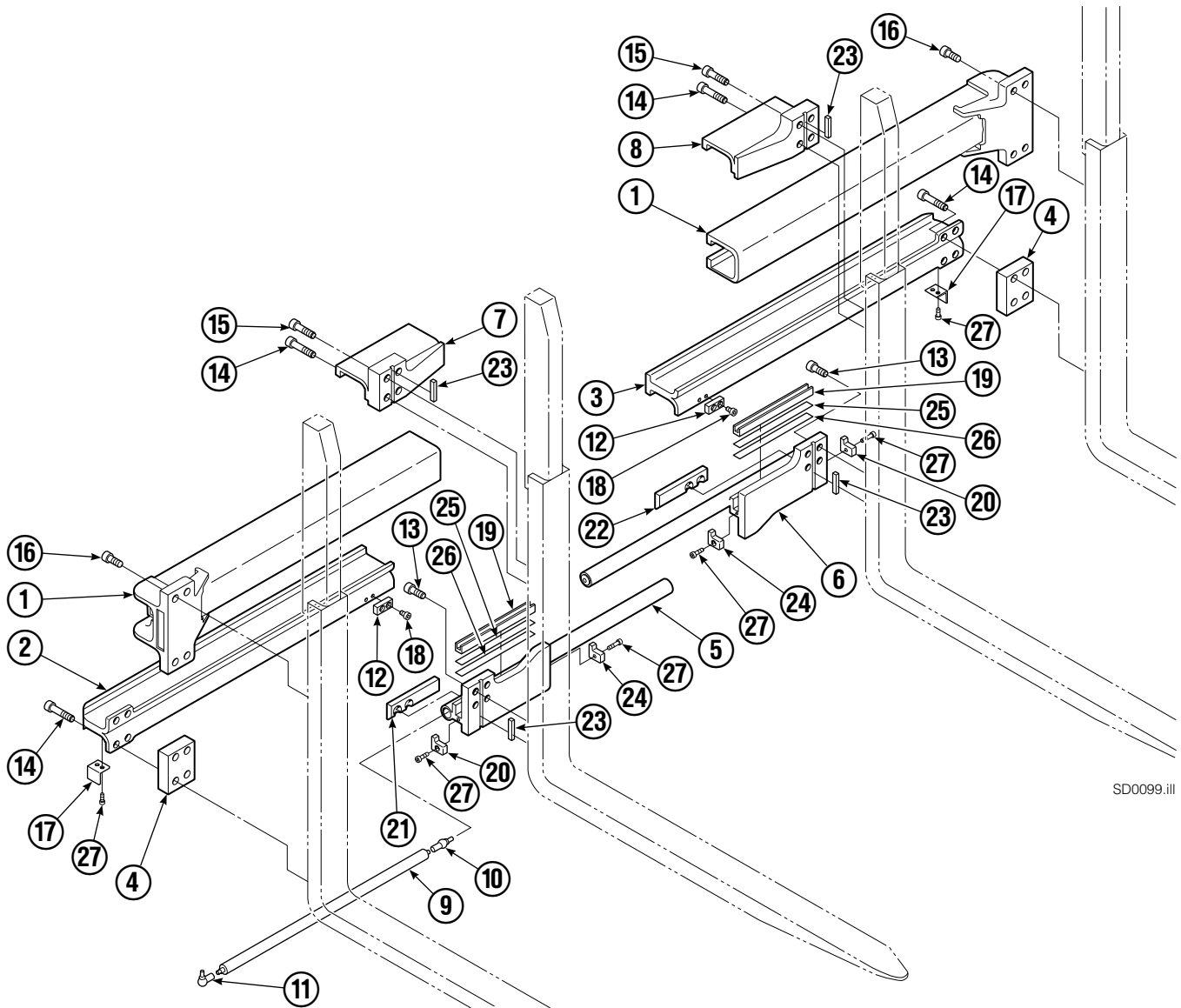


FP0079.ill

REF	QTY	PART NO.	DESCRIPTION
		675548	Cylinder Assembly
1	1	553857	Nut
■ 2	1	662452	Seal
3	1	553501	Piston
■ 4	1	636851	Wiper
■ 5	1	638247	Back-up Ring
6	1	675550	Washer (orifice .085)
7	1	675549	Shell
8	1	553449	Rod
■ 9	1	2785	O-Ring
■ 10	1	615128	Back-up Ring
11	1	553500	Retainer
12	1	553856	Retaining Ring
13	1	7202	Snap Ring
■ 14	1	641835	Seal
15	1	---	Spacer
		553861	Service Kit

■ Included in Service Kit 553861.

Arm Group



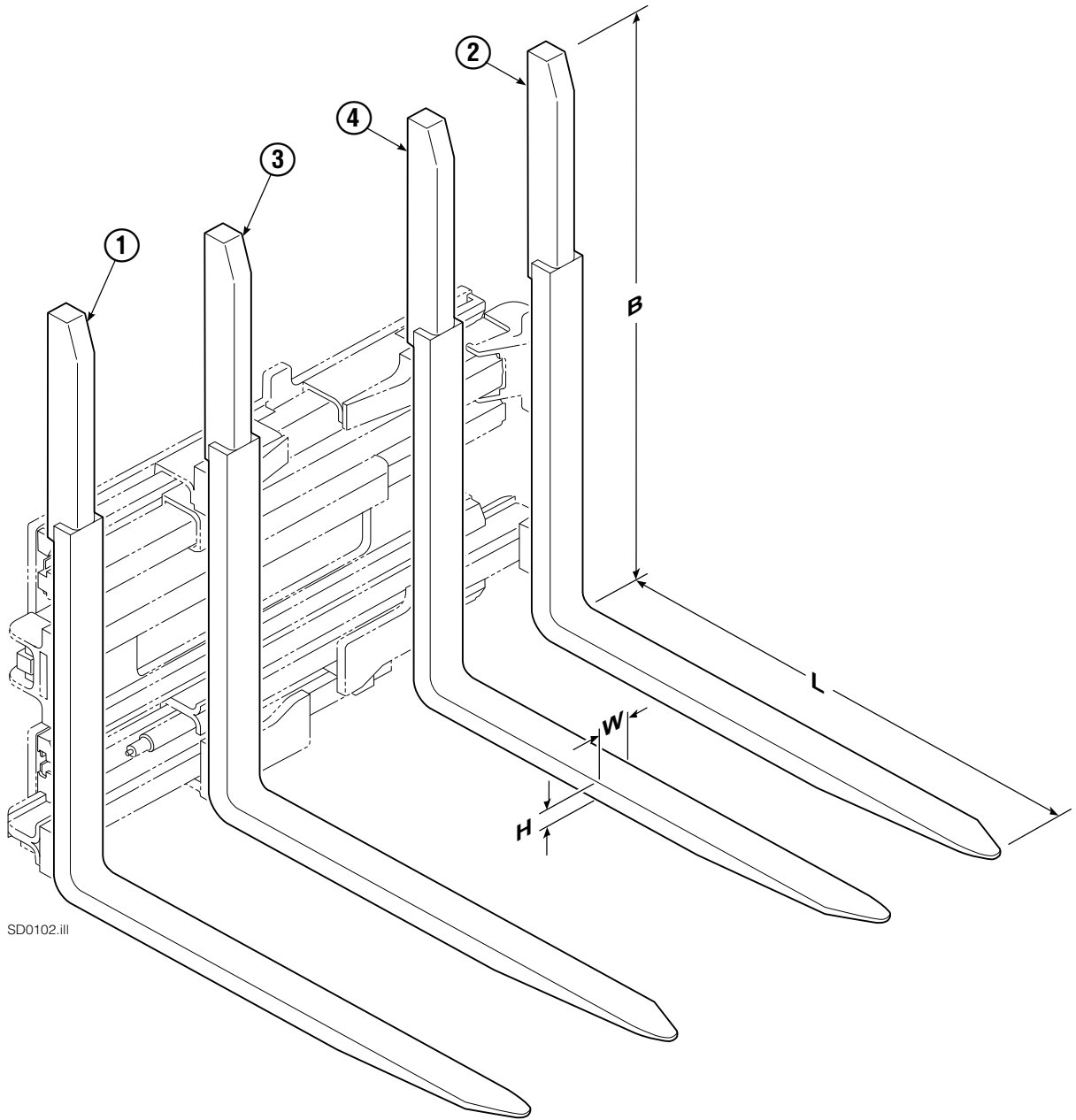
SD0099.ill

55E							
REF	QTY	PART NO.	DESCRIPTION	REF	QTY	PART NO.	DESCRIPTION
		212581	Arm Group	14	12	769578	Capscrew, M16 x 60
1	2	4316-0799	Upper Arm Bar	15	4	769577	Capscrew, M16 x 50
2	1	211672	Lower Arm Bar - RH	16	8	769573	Capscrew, M16 x 30
3	1	211671	Lower Arm Bar - LH	17	2	213022	Guard
4	2	210587	Spacer	18	4	213023	Capscrew, M10 x 16
5	1	212994	Lower Hook - RH	19	2	4501-0222	Bearing Segment
6	1	212997	Lower Hook - LH	20	2	212979	Bearing Retainer
7	1	211384	Upper Hook - RH	21	1	212682	Bearing - RH
8	1	211383	Upper Hook - LH	22	1	213899	Bearing - LH
9	2	212683	Gas Spring ▲	23	4	213364	Key
10	2	213011	Ball Joint ▲	24	2	213360	Bearing Retainer
11	2	213012	Ball Joint ▲	25	4	212559	Shim, .04 in. (.1 mm)
12	2	212687	Lower Fork Stop	26	4	213913	Shim, .020 in. (.5 mm)
13	8	769574	Capscrew, M16 x 35	27	8	787375	Capscrew, M8 x 20

▲ Included in Gas Spring Kit 213855.

Reference: SK-6116.

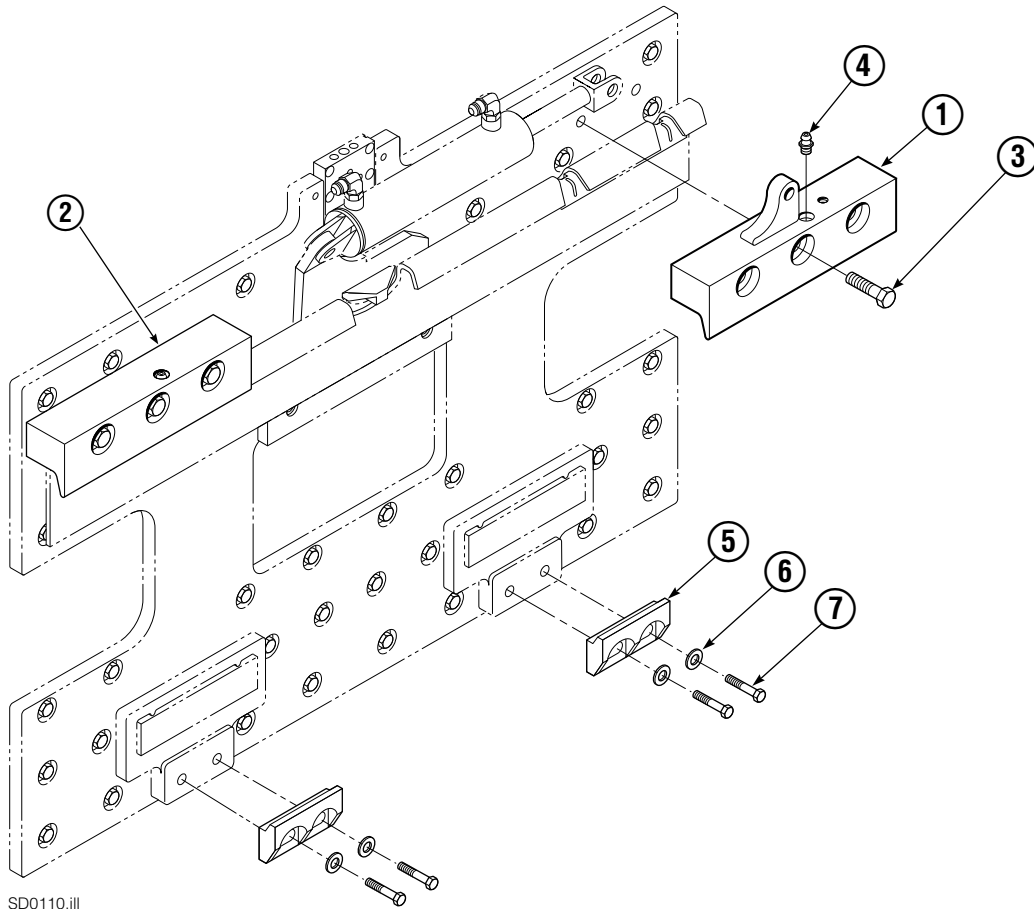
Tube Backrest/Fork Group



SD0102.iii

55E								
SIZE (IN.)				FORK GROUP PART NO.	REF 1	REF 2	REF 3	REF 4
L	W	H	B		Outer Fork-RH	Outer Fork-LH	Inner Fork-RH	Inner Fork-LH
42	3.2	2.5	48	393368	393949	393948	393953	393952

Mounting Group ITA Class III



SD0110.iii

55E			
REF	QTY	ITA III	DESCRIPTION
		PART NO.	
		212574	Upper Hook Group ▲
		391335	Lower Hook Group ★
1	1	211375	Upper Hook - RH
2	1	210592	Upper Hook - LH
3	6	796631	Cap screw, M16x65
4	2	7403	Grease Fitting
5	2	675969	Lower Hook
6	4	667225	Washer
7	4	779009	Cap screw

▲ Includes items 1, 2 and 3.

★ Includes items 5, 6 and 7.

Reference: SK-6116.

Do you have questions you need answered right now? Call your nearest Cascade Parts Department.

Cascade Corporation

2201 NE 201st
Troutdale, OR 97060
Tel: 1-800-CAS-CADE
503-669-6300
FAX: 503-669-6338

Cascade Canada Inc.

5570 Timberlea Blvd.
Mississauga, Ontario
Canada L4W-4M6
Tel: 905-629-7777
FAX: 905-629-7785

Cascade GmbH

D-41199 Monchengladbach
Klosterhofweg 52
Germany
Tel: 21-66-602091
FAX: 21-66-680947

Cascade N.V.

Kirkkokatu 1
48100 Kotka
Finland
Tel: 52-184393
FAX: 52-184833

**Cascade N.V.
European Headquarters**

P.O. Box 3009
1300 El Almere
Damsluisweg 56
1332 ED Almere
The Netherlands
Tel: 31-36-5492911
FAX: 31-36-5492964

**Cascade N.V.
Benelux Sales and Service**

P.O. Box 3009
1300 El Almere
Damsluisweg 56
1332 ED Almere
The Netherlands
Tel: 31-36-5492950
FAX: 31-36-5492974

Cascade (UK) Ltd.

15, Orgreave Crescent
Dore House Industrial Estate
Handsworth
Sheffield S13 9NQ
England
Tel: 742-697524
FAX: 742-695121

**Cascade Scandinavia
Hydraulik A.B.**

Muskötgatan 19, E8-9
S25466 Helsingborg
Sweden
Tel: 42-151135
FAX: 42-152997

Cascade France S.A.R.L.

11, Rue Jean Charcot
Zone Industrielle Sud or
B.P. 22
91421 Morangis Cedex
France
Tel: 1- 64547500
FAX: 1-64547501

Cascade Hispania S.A.

Avenida De La Fabregada, 7
Hospitalet De Llobregat
Barcelona
Spain
Tel: 3-335-5158
FAX: 3-335-4756

Cascade Japan Ltd.

5-5-41,
Torikai Kami
Settsu, Osaka
Japan, 566
Tel: 81-726-53-3490
FAX: 81-726-53-3497

Cascade Korea

Room 508, Pum Yang Bldg.
750-14, Bang Bac-Dong
Se-Cho Ku, Seoul
Korea
Tel: 2599-7131 ext. 512
FAX: 2533-8089

HYCO-Cascade Pty. Ltd.

87 Antimony Street
Carole Park,
Brisbane 4300
Australia
Tel: 7-271-1966
FAX: 7-271-3830

HYCO-Cascade (NZ) Ltd.

23 Haseler Crescent
P.O. Box 38-440
Howick, Auckland
New Zealand
Tel: 9-273-9136
FAX: 9-273-9137

Cascade (Africa) Pty. Ltd.

P.O. Box 625, Isando 1600
60A Steel Road
Sparton, Kempton Park
South Africa
Tel: 975-9240
FAX: 394-1147

Cascade-Xiamen

Wanshan No. 1 Workshop
Huli Road
Xiamen 361006
Fujian, PRC
Tel: 592-562-4600
FAX: 592-562-4671

Sunstream Industries

PTE Ltd.

No. 3 Tuas Link 1
Singapore 2263
Tel: 863-3488
FAX: 863-1368

