



Parts Manual

Model Multi-Purpose Clamp

Serial Number 35D-MCS-62AR0

cascade[®]
corporation

For Technical Assistance call: 800-227-2233, Fax: 888-329-8207

To Order Parts call: 888-227-2233, Fax: 888-329-0234

OR

Write: Cascade Corporation, P.O. Box 20187, Portland, OR 97220

Internet: www.cascorp.com

Safety Decals



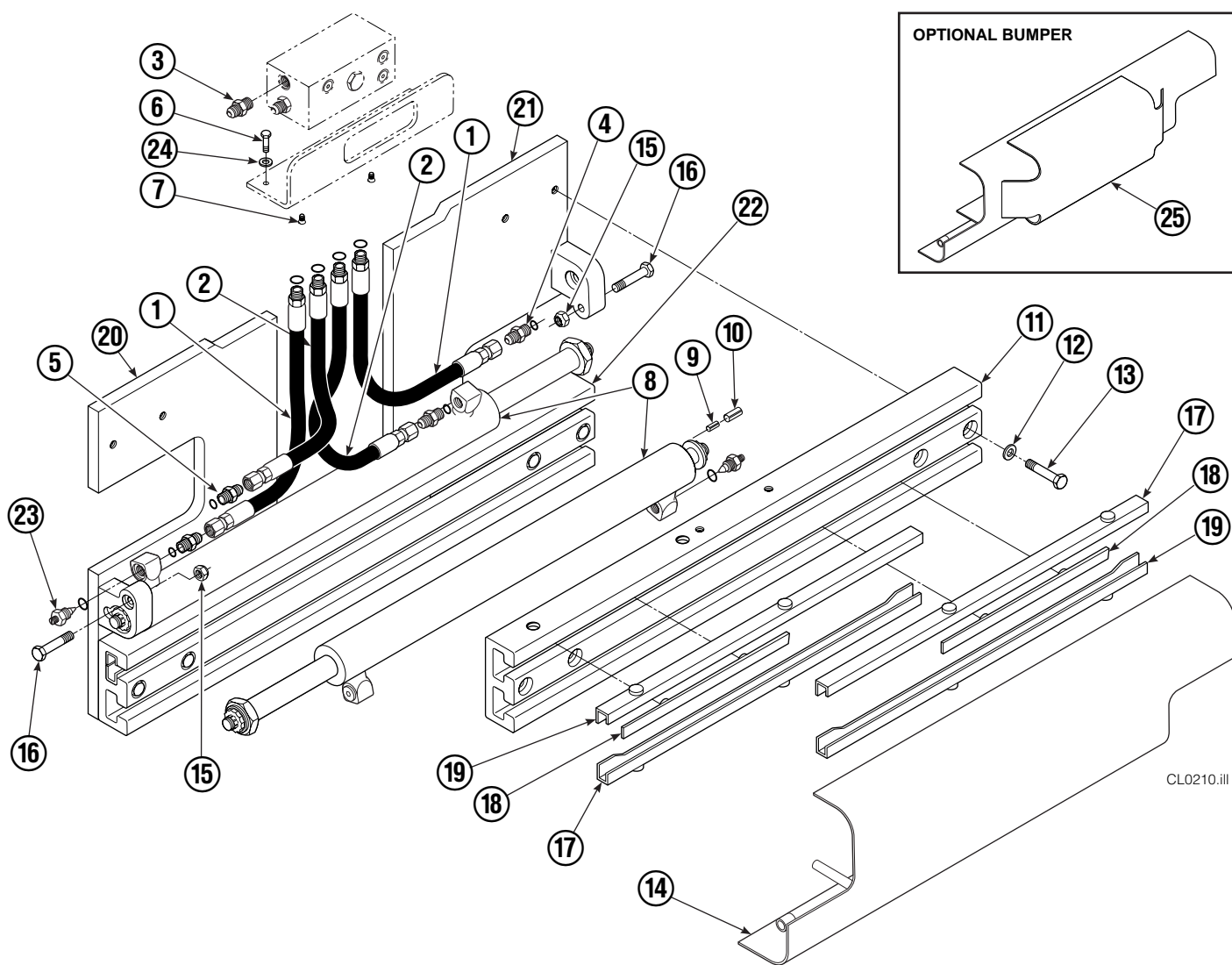
REF	QTY	PART NO.	DESCRIPTION
1	1	679150	No Step Decal
2	2	665595	No Hand Hold Decal
3	1	679059	Quick Change Hook Decal

Publications



PART NO.	DESCRIPTION
669224	Service Manual
672944	Operators Guide
668987	Installation Instructions
680664	Servicing Cascade Cylinders-VHS
679929	Tool Catalog
673964	Literature Index Order Form

Base Unit Group



CL0210.ill

35D							
REF	QTY	PART NO.	DESCRIPTION	REF	QTY	PART NO.	DESCRIPTION
		680641	Base Unit Group	13	8	667909	Capscrew
1	2	210438	Hose, 22.00 in.	14	1	667908	Bumper
2	2	210437	Hose, 17.25 in.	15	2	665707	Nut, 1/2 in. ID
3	1	601377	Fitting, 8-8	16	2	633523	Capscrew, 1/2 NC x 2.50
4	2	686369	Fitting	17	4	668910	Bearing
5	2	611288	Fitting, 6-8	18	4	667663	Bearing
6	2	671222	Capscrew, 3/8 NC x .75	19	4	668911	Bearing
7	2	4750	Capscrew, 3/8 NC x .75	20	1	680623	Mounting Plate - RH
8	2	667911	Cylinder ▲	21	1	680624	Mounting Plate - LH
9	2	7861	Roll Pin - Inner	22	1	674166	Frame - Lower
10	2	7962	Roll Pin - Outer	23	2	667609	Restrictor Cartridge ●
11	1	667904	Frame - Upper	24	2	6230	Washer
12	8	667910	Washer	25	1	671519	Optional Bumper

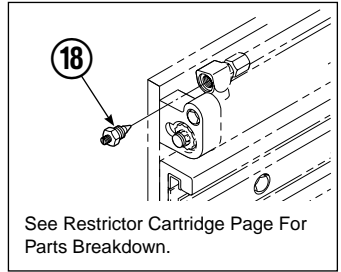
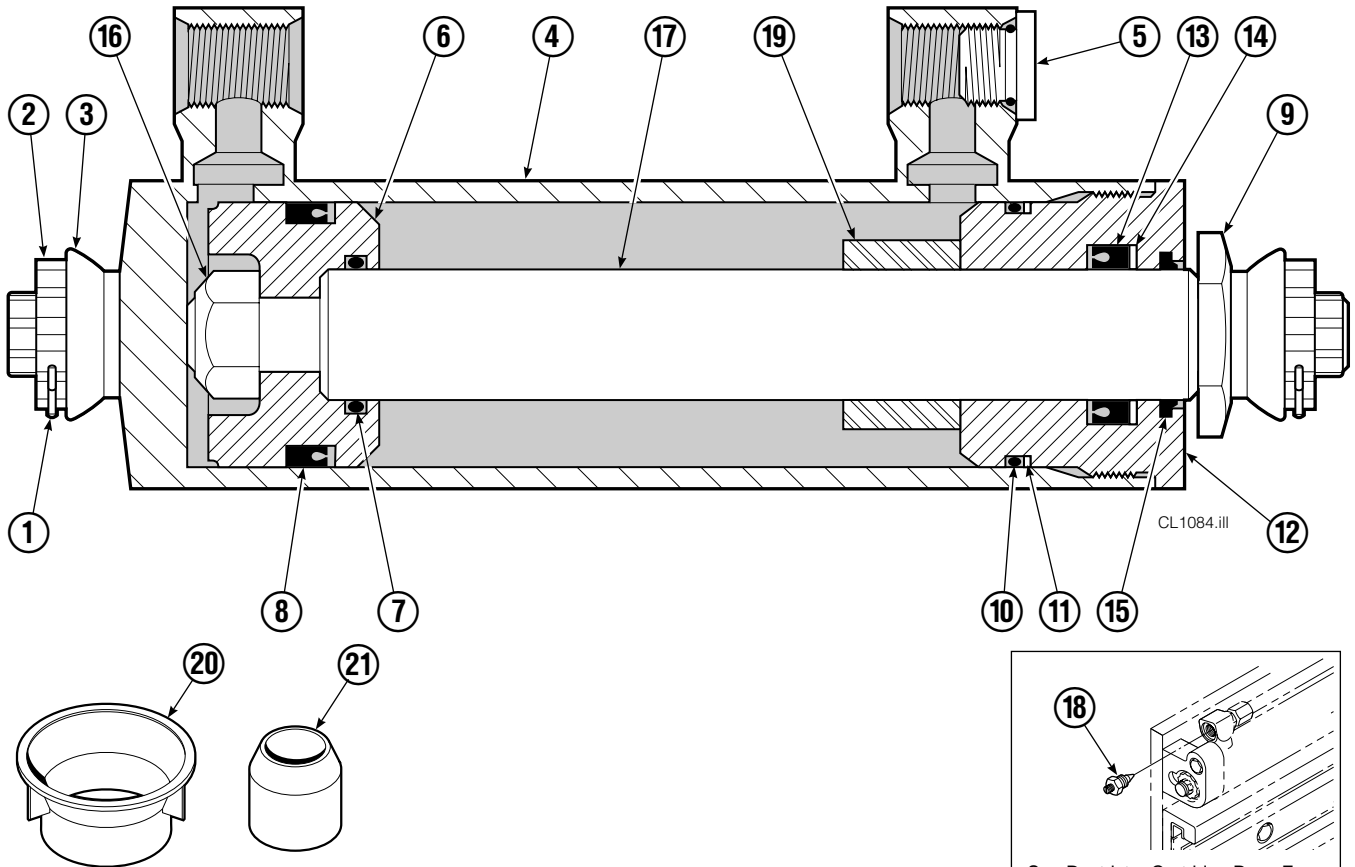
▲ See Cylinder page for parts breakdown.

● Not included in Base Unit Group.

See Restrictor Cartridge page for parts breakdown.

Reference: SK-5301, Common Parts Group 680838.

Cylinder



35D			
REF	QTY	PART NO.	DESCRIPTION
		667911	Cylinder Assembly
1	2	6510	■ Cotter Pin
2	2	667624	■ Nut Retainer
3	2	667625	■ Nut
4	1	553758	Shell
5	1	602580	Fitting
6	1	558400	Piston
7	1	2716	▲ O-Ring
8	1	662454	▲ Seal
9	1	667626	Washer
10	1	2787	▲ O-Ring
11	1	615130	▲ Back-Up Ring
12	1	667917	Retainer
13	1	662448	▲ Seal
14	1	638243	▲ Nylon Ring
15	1	636853	▲ Wiper
16	1	668031	Nut
17	1	667914	Rod
18	2	667609	Restrictor Cartridge ●
19	1	—	Spacer
20	1	671049	▲ Seal Loader, Piston
21	1	671052	▲ Seal Loader, Retainer
		667995	Service Kit

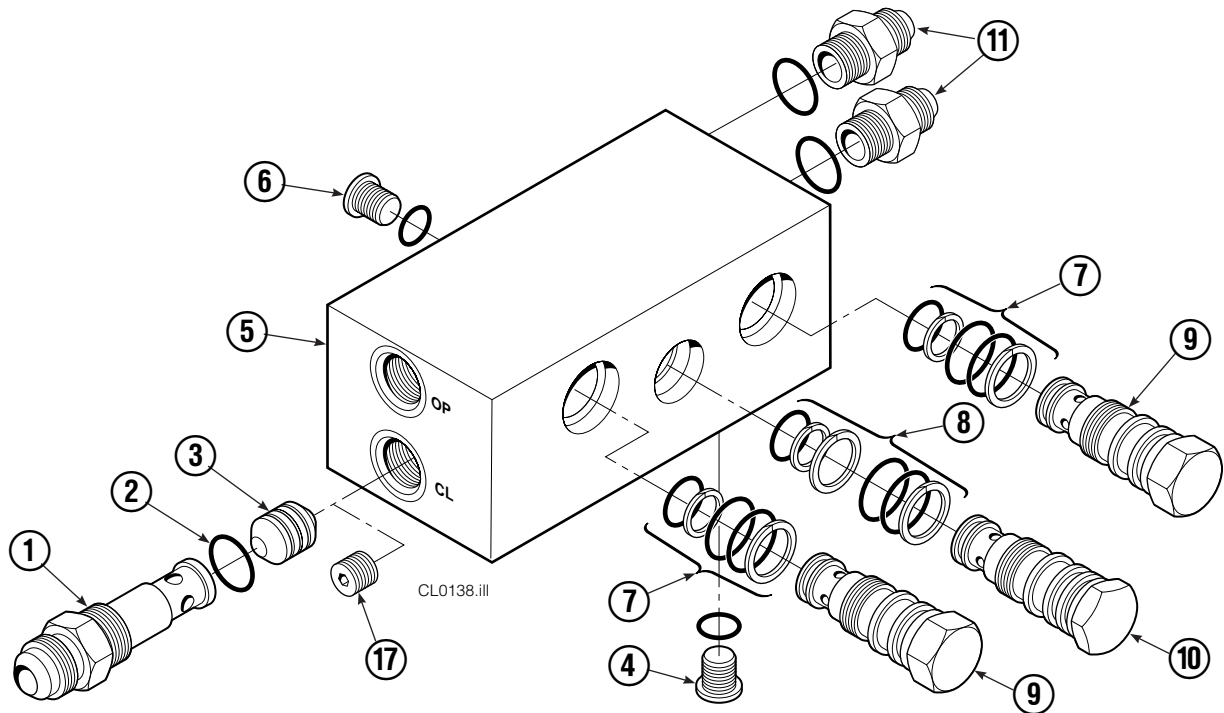
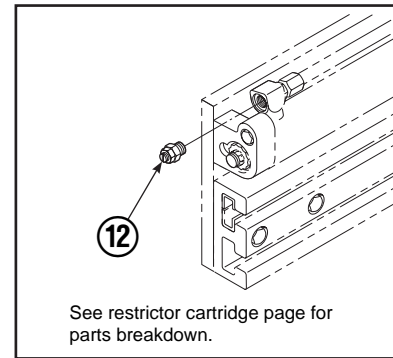
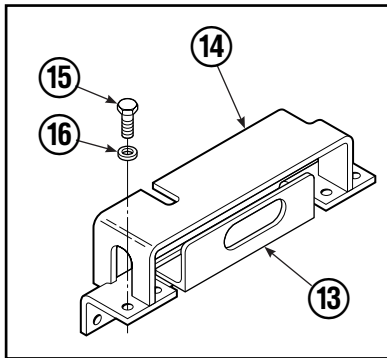
▲ Included in Service Kit 667995.
 ■ Included in Nut Service Kit 668926.
 ● Not included in Cylinder Assembly.
 Reference: S-7662.

Restrictor Cartridge



REF	QTY	PART NO.	DESCRIPTION
		667609	Restrictor Cartridge
1	1	2701	O-Ring
2	1	667611	Plunger
3	1	2841	O-Ring
4	1	667610	Plug - Special
5	1	5716	Jam Nut

Valve Group Sideshift



REF	QTY	PART NO.	DESCRIPTION	REF	QTY	PART NO.	DESCRIPTION
		668915	Valve Group – Sideshift	10	1	678270	Check Valve – VPO
		668865	Check Valve – Sideshift ▲	11	2	604511	Fitting, 6-6
1	1	667490	Special Fitting	12	2	667609	Restrictor Cartridge
2	1	2841	O-Ring ●	13	1	669999	Bracket
3	1	667471	Spool	14	1	670002	Guard – 25D/35D
4	3	609455	Fitting, 5	14	1	670000	Guard – 50D
5	1	668866	Valve Body	14	1	200812	Guard – 40D
6	1	604510	Fitting, 6	15	4	677828	Capscrew, 1/2 NC x 1.00
7	2	667516	Service Kit ●	16	4	667910	Washer
8	1	661347	Service Kit ●	17	1	676343	Regeneration Elimination Plug ■
9	2	659058	Check Valve – PO			668868	Service Kit

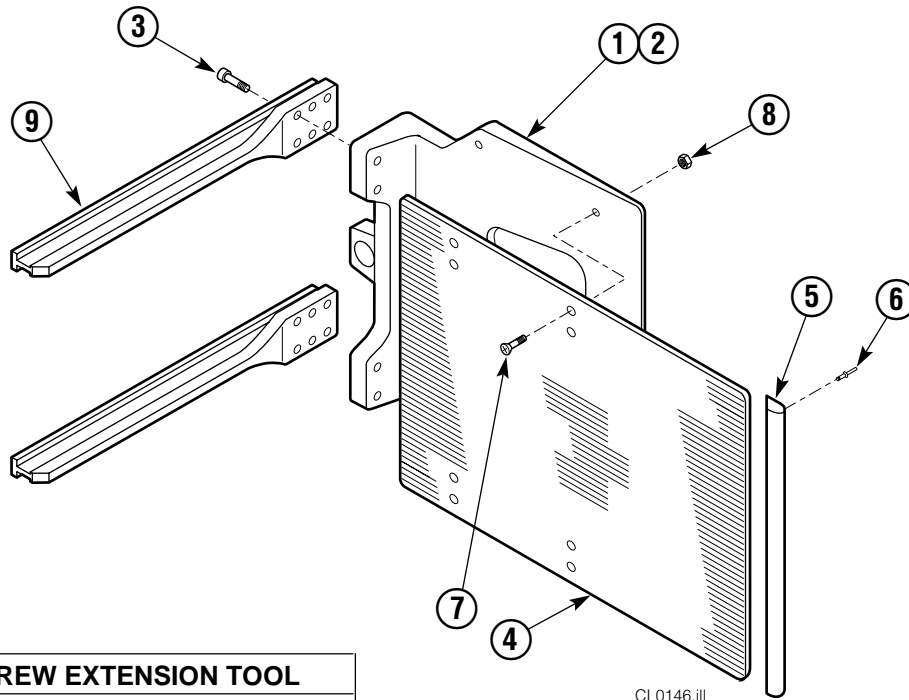
▲ Includes items 1– 10 only.

● Included in Service Kit 668868.

■ For eliminating regeneration circuit only. See Tech. Bulletin 121.

Reference: SK-5302, Valve Guard Groups 670005, 670006.

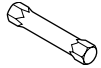
Multi-Purpose/Rigid Arms



CL0146.ill

ARM CAPSCREW EXTENSION TOOL

Required for proper torquing of capscrews



35/50D

667699

35D

REF	QTY	PART NO.	DESCRIPTION
		680596	Rigid Arm Assembly – LH ●
		680597	Rigid Arm Assembly – RH ▲
1	1	680574	Rigid Arm – LH
2	1	680578	Rigid Arm – RH
3	12	607103	Capscrew
4	1	671620	Contact Pad
5	1	671628	Edge Guard
6	6	667843	Rivet
7	8	768704	Capscrew
8	4	683170	Nut
9	4	667905	Arm Bar

● Includes items 1 & 3–8 only.

▲ Includes items 2–8 only.

Mounting Plates with Bolt-On Upper Hooks

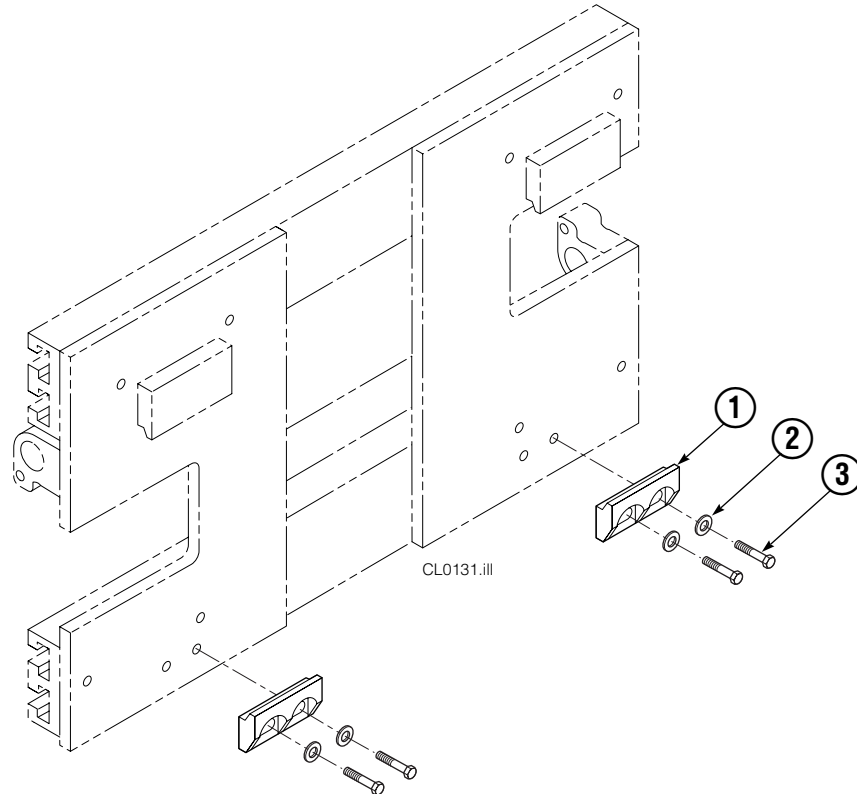


REF	QTY	PART NO.	DESCRIPTION
1	1	680624	Mounting Plate Assembly-LH ●
2	1	680623	Mounting Plate Assembly-RH ■
3	1	6002330	Upper Hook-LH
4	1	210491	Upper Hook-RH
5	4	768577	Capscrew, M20 x 35

● Includes items 3 and 5.

■ Includes items 4 and 5.

Bolt-On Mounting Group



Class II			
REF	QTY	PART NO.	DESCRIPTION
		678934	Lower Hook Group
1	2	675968	Lower Hook
2	4	667225	Washer, 5/8 in. ID
3	4	667369	Capscrew, 5/8 NC x 1.25 GR 5

Reference: S-3197.

Do you have questions you need answered right now? Call your nearest Cascade Parts Department. Visit us online at www.cascorp.com

Cascade Corporation
2501 Sheridan Avenue
Springfield, OH 45505
Tel: 888-CASCADE (227-2233)
FAX: 888-329-0234

Cascade Canada Inc.
5570 Timberlea Blvd.
Mississauga, Ontario
Canada L4W-4M6
Tel: 905-629-7777
FAX: 905-629-7785

Cascade GmbH
D-41199 Monchengladbach
Klosterhofweg 52
Germany
Tel: 49-216-668230
FAX: 49-216-6682323

Cascade Finland
Albert Petreliuksenkatu 3
01370 Vantaa
Finland
Tel: 358-9-836-1925
FAX: 358-9-836-1935

**Cascade N.V.
European Headquarters**
P.O. Box 3009
1300 El Almere
Damsluisweg 56
1332 ED Almere
The Netherlands
Tel: 31-36-5492911
FAX: 31-36-5492964

**Cascade N.V.
Benelux Sales and Service**
P.O. Box 3009
1300 El Almere
Damsluisweg 56
1332 ED Almere
The Netherlands
Tel: 31-36-5492950
FAX: 31-36-5492974

Cascade (UK) Ltd.
15, Orgreave Crescent
Dore House Industrial Estate
Handsworth
Sheffield S13 9NQ
England
Tel: 742-697524
FAX: 742-695121

Cascade Scandinavia AB
Box 124
Hammarvägen 10
567 23 Vaggeryd
Sweden
Tel: 42-0-393-36950
FAX: 46-0-393-36959

Cascade Norway
Østerliveien 37A
1153 Oslo
Norway
Tel: 47-22-743160
FAX: 47-22-743157

Cascade France S.A.R.L.
1D Rue De Charaintru
BP 18, 91360 Epinay-Sur-Orge
Morangis Cedex, France
Tel: 33-1- 64547500
FAX: 33-1-64547501

Cascade Hispania S.A.
Carrer 5 Sector C
Zona Franca Duanera
Poligono de la Zon Franca
08040 Barcelona, Spain
Office No. 256
Tel: 93-264-07-30
FAX: 93-264-07-31

Cascade Japan Ltd.
5-5-41,
Torikai Kami
Settsu, Osaka
Japan, 566
Tel: 81-726-53-3490
FAX: 81-726-53-3497

Cascade Korea
108B, Namdong Ind Complex
658-3 Gojan-Dong
Namdong-Gu
Inchon, 405-310 Korea
Tel: 82-32-821-2051
FAX: 82-32-821-2055

Cascade Australia
1445 Ipswich Road
Rocklea, QLD 4106
Australia
Tel: 1-800227-223
FAX: (07) 3373-7333

Cascade New Zealand
15 Ra Ora Drive
East Tamaki, Auckland
New Zealand
Tel: 9-273-9136
FAX: 9-273-9137

Cascade (Africa) Pty. Ltd.
P.O. Box 625, Isando 1600
60A Steel Road
Sparton, Kempton Park
South Africa
Tel: 27-11-975-9240
FAX: 27-11-394-1147

Cascade-Xiamen
No. 668 Yangguang Rd.
Xinyang Industrial Zone
Haicang, Xiamen City
Fujian Province
P.R. China 361026
Tel: 86-592-651-2500
FAX: 86-592-651-2571

**Cascade (Singapore)
Trading Co.**
Four Seasons Park
Autumn Block - Apt. 1802
12 Cuscaden Walk
Singapore
Tel: 65-834-1935
FAX: 65-834-1936

