



# Parts Manual

---

Model Push-Pull Hyd Platens

Serial Number 45E-PHS-261

---

**cascade**<sup>®</sup>  
corporation

**For Technical Assistance call:** 800-227-2233, Fax: 888-329-8207

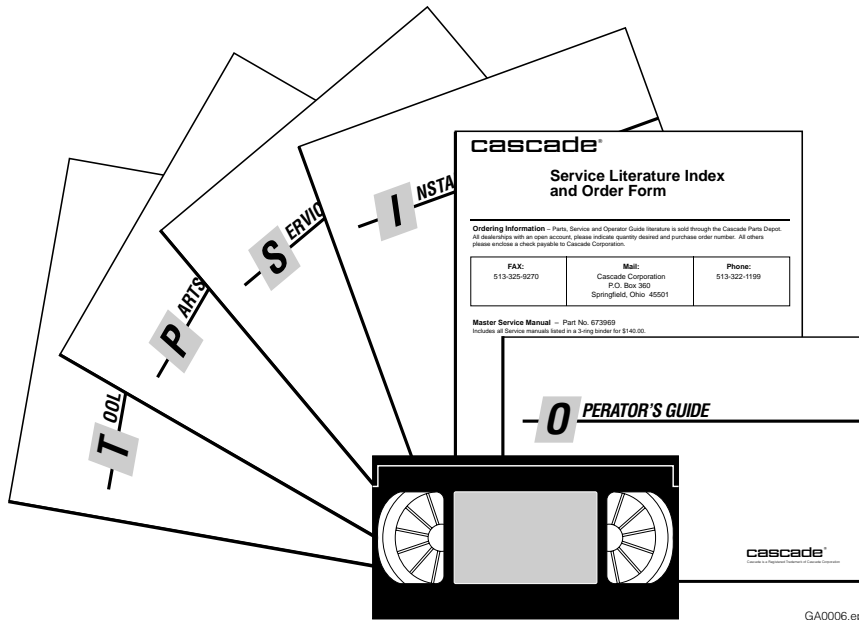
**To Order Parts call:** 888-227-2233, Fax: 888-329-0234

**OR**

**Write:** Cascade Corporation, P.O. Box 20187, Portland, OR 97220

**Internet:** [www.cascorp.com](http://www.cascorp.com)

# Publications



GA0006.eps

PART NO.	DESCRIPTION
	Parts Manual
686455	Service Manual
684945	Operators Guide
685531	Operators Pocket Guide
684944	Installation Instructions
680664	Servicing Cascade Cylinders-VHS
679929	Tool Catalog
673964	Literature Index Order Form

# Decals



Optional Faceplate Extension



Part No. 679150  
(1 Place & 1 optional)



Part No. 665595  
(2 Place & 2 optional)



Part No. 656038  
(6 Places)



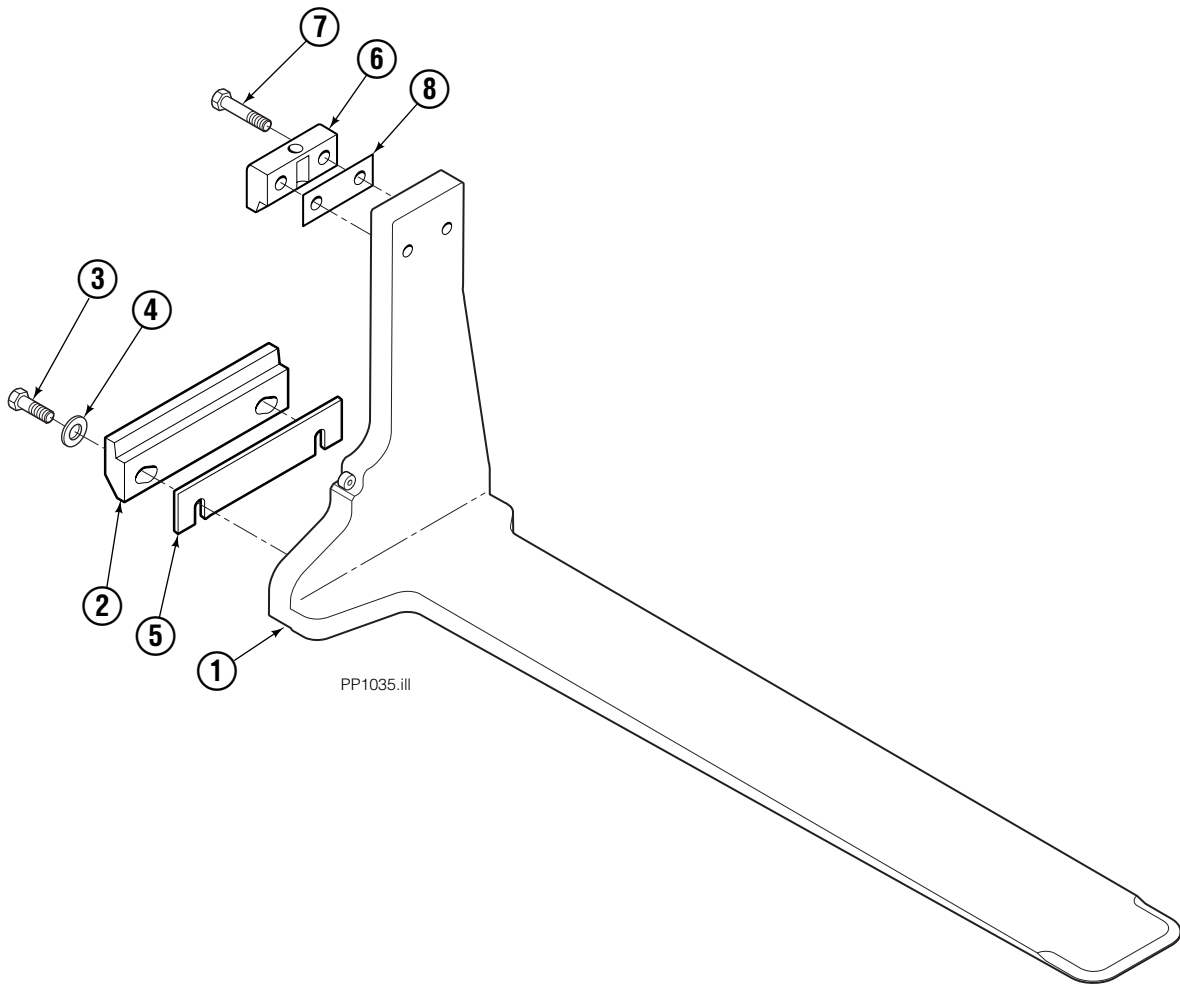
Part No. 679059  
(1 Place if equipped with Quick Change Hooks)



Nameplate

PP0060.iii

# Platen Group

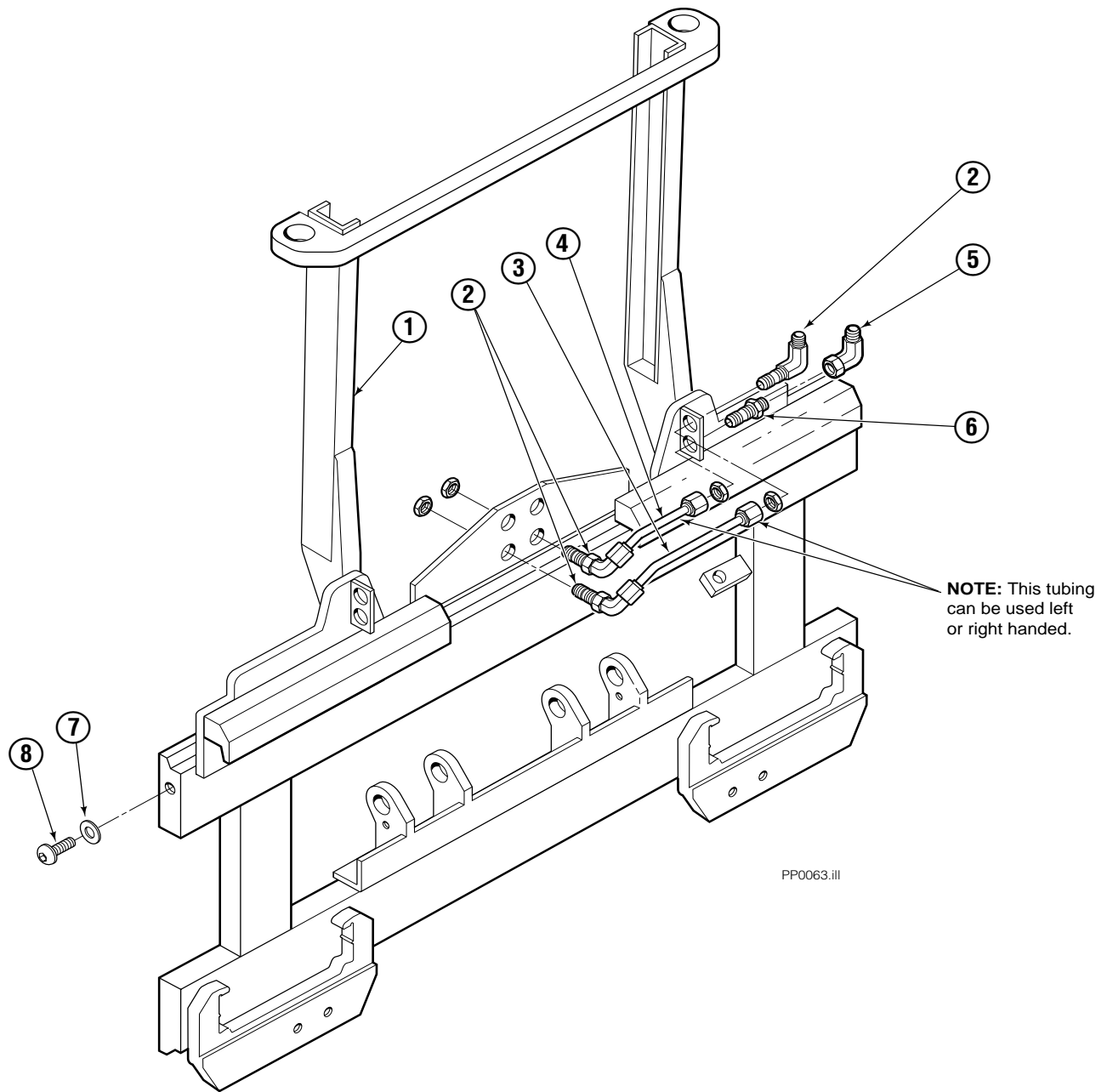


REF	QTY	PART NO.	DESCRIPTION
		6034731	Platen Group
1	1	6034732	Platen - RH
1	1	6034733	Platen- LH
2	2	682851	Lower Hook
3	4	685534	Capscrew, M16 x 50
4	4	667225	Washer, .625
5	★	682858	Shim (.030)
6	2	685533	Upper Hook
7	4	779010	Capscrew, M16 x 35
8	■	688379	Shim (.060)

★ As required.

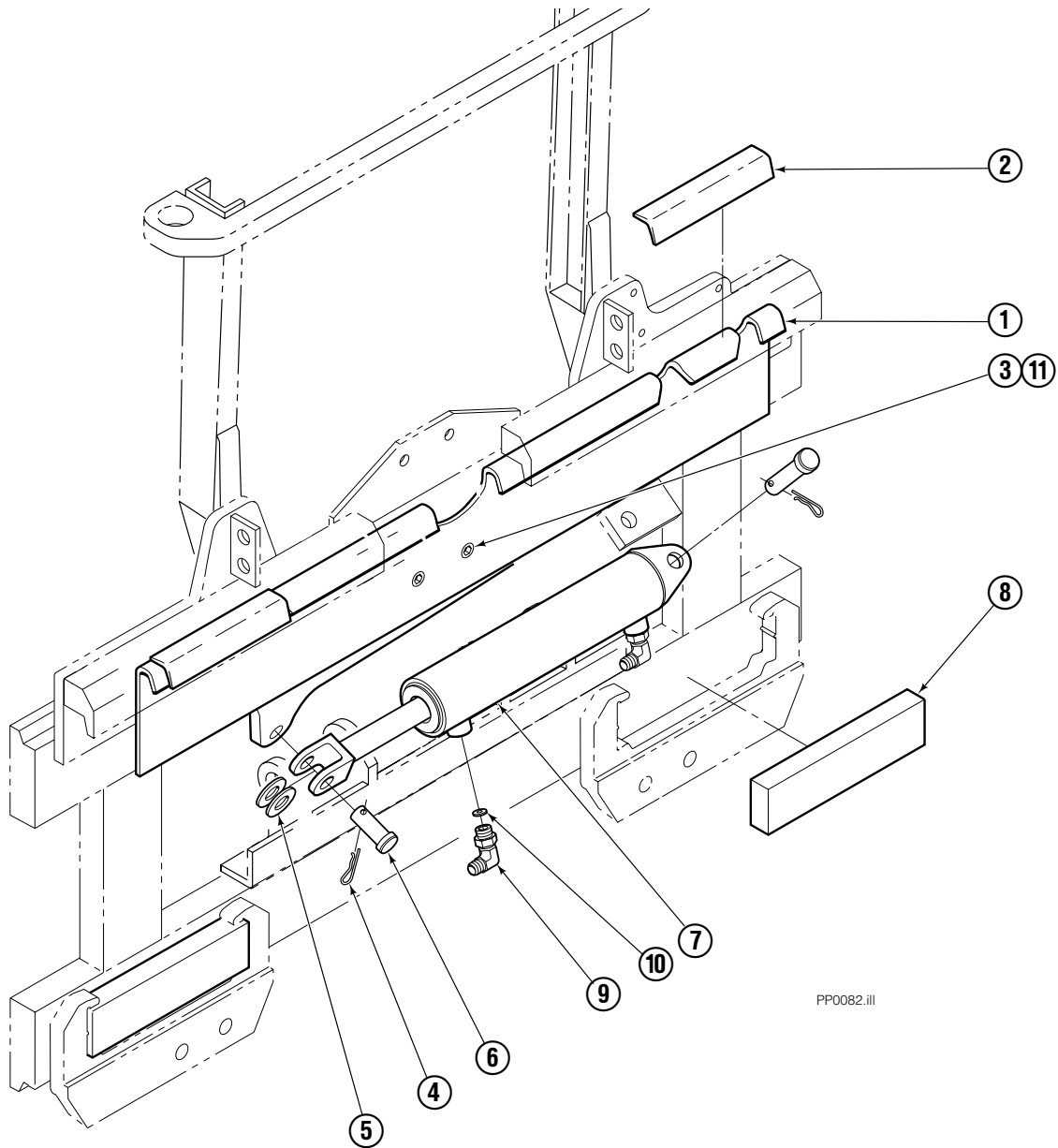
■ As required (2 maximum).

# Frame Group ITA II



35E/45E			
REF	QTY	PART NO.	DESCRIPTION
		204649	Frame Group
1	1	204651	Frame
2	3	2453	Fitting, 6-6
3	1	686509	Tube
4	1	686510	Tube
5	1	2680	Fitting, 6-6
6	1	2375	Fitting, 6-6
7	2	683001	Washer
8	2	683142	Capscrew

# S/S Mounting Group ITA II

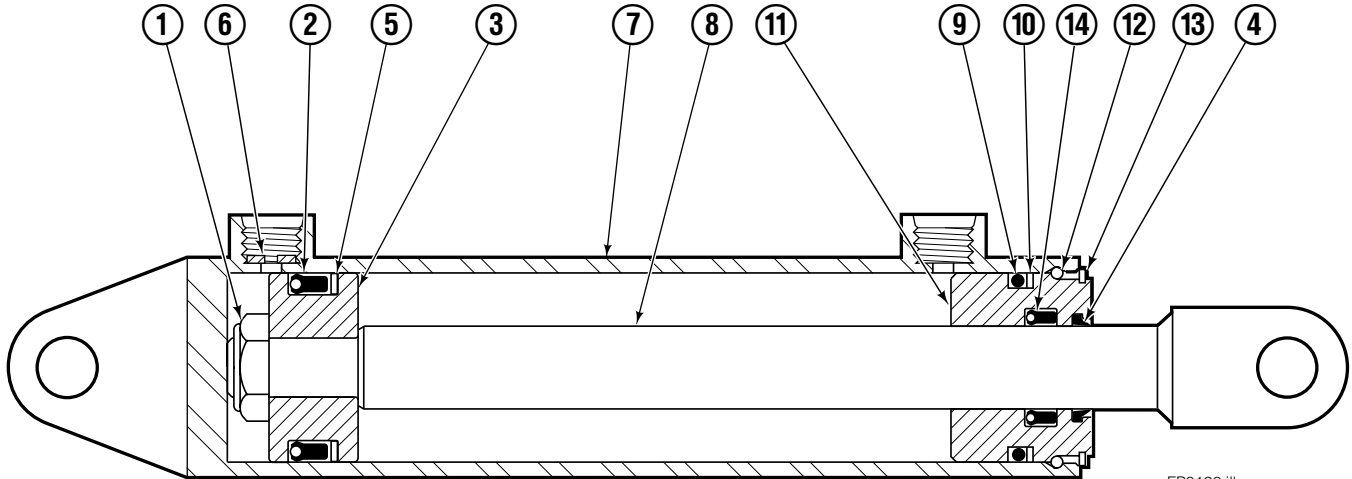


PP0082.iii

35E/45E			
REF	QTY	PART NO.	DESCRIPTION
		200605	Mounting Group
1	1	682554	Anchor Bracket
2	2	671165	■ Bearing Segment
3	2	768759	Setscrew
4	2	6517	Cotter Pin
5	2	6234	Washer
6	2	678525	Clevis Pin
7	1	675548	● Cylinder
8	2	682814	Bearing
9	2	666984	Fitting, 4-6
10	2	675550	Washer
11	2	688387	Jam Nut

- Included in Bearing Service Kit 671423.
- See Cylinder page for parts breakdown.

# Sideshift Cylinder ITA Class III

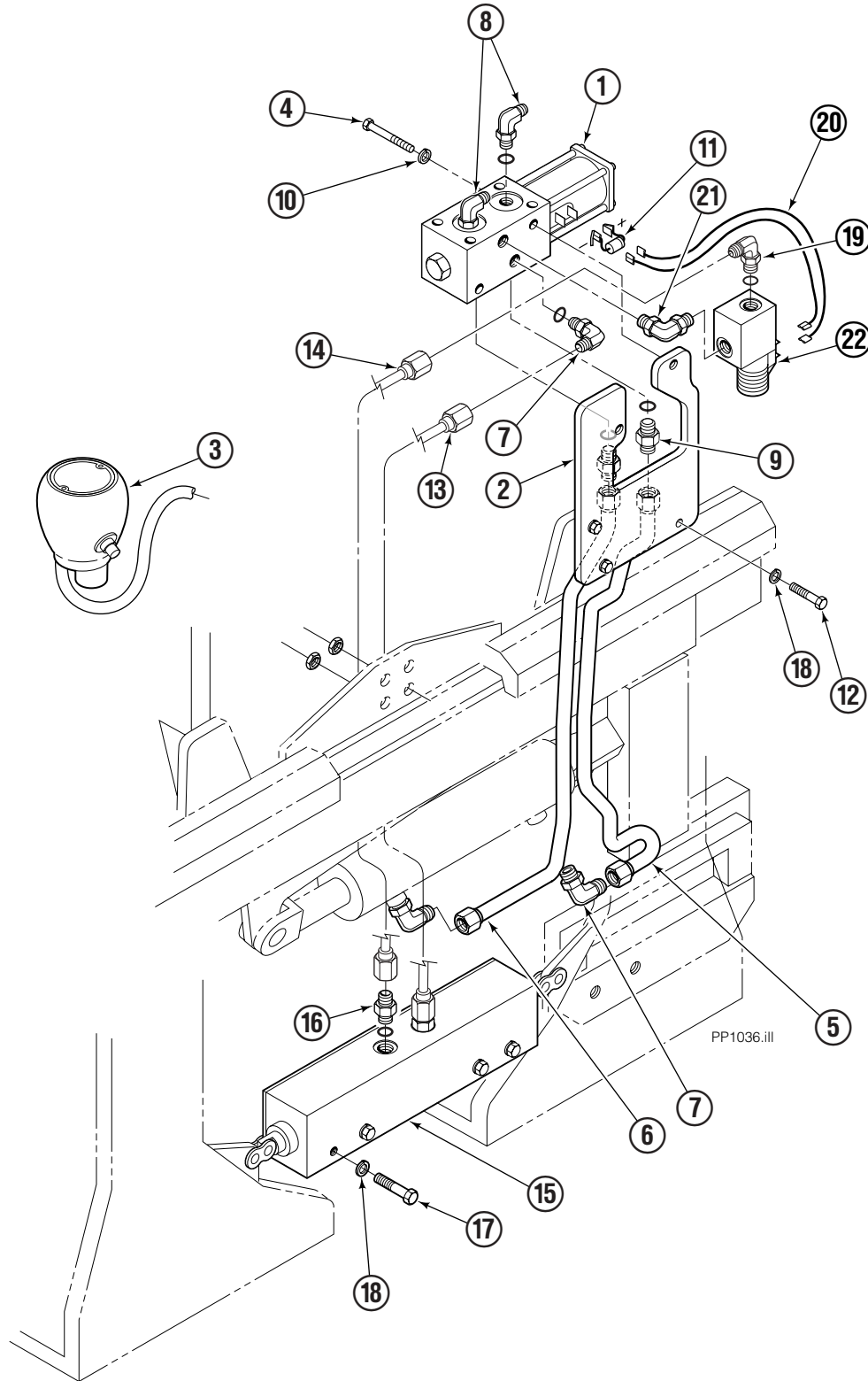


FP0126.ill

55E			
REF	QTY	PART NO.	DESCRIPTION
		675548	Cylinder Assembly
1	1	553857	Nut
2	1	662452	■ Seal
3	1	553501	Piston
4	1	636851	■ Wiper
5	1	638247	■ Back-up Ring
6	1	675550	Washer (orifice .085 in.)
7	1	675549	Shell
8	1	553449	Rod
9	1	2785	■ O-Ring
10	1	615128	■ Back-up Ring
11	1	553500	Retainer
12	1	553856	Retaining Ring
13	1	7202	Snap Ring
14	1	641835	■ Seal
		553861	Service Kit

■ Included in Service Kit 553861.

# Solenoid Adaption



# Solenoid Adaption

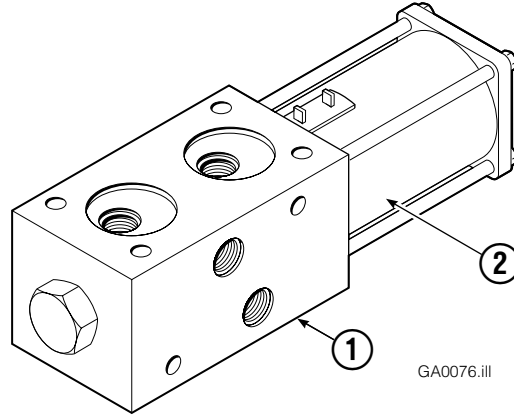
35/45E			
REF	QTY	PART NO.	DESCRIPTION
		6031014	Solenoid Adaption Group
1	1	◆	Solenoid Valve
2	1	683222	Plate
3	1	355058	■ Knob
4	2	768521	Capscrew, M6x80
5	1	683225	Tube
6	1	683226	Tube
7	3	666984	Fitting, 4-6
8	2	601676	Fitting, 6-6
9	2	627850	Fitting, 4-6
10	2	6201	Lockwasher, M6
11	1	669432	Diode
12	3	765329	Capscrew , M8x1,25x20
13	1	355500	Tube
14	1	364229	Tube
15	1	683234	▲ Cylinder
16	2	617915	Fitting, 4-4
17	6	768527	Capscrew, M8x1,25x50
18	9	6287	Lockwasher, M8
19	1	617917	Fitting, 4-4
20	2	357541	Wire
21	1	619235	Fitting
22	1	◆	Solenoid Valve

◆ See Coil and Solenoid Valve page for parts breakdown.

▲ See Cylinder page for parts breakdown.

■ See Control Knob page for parts breakdown.

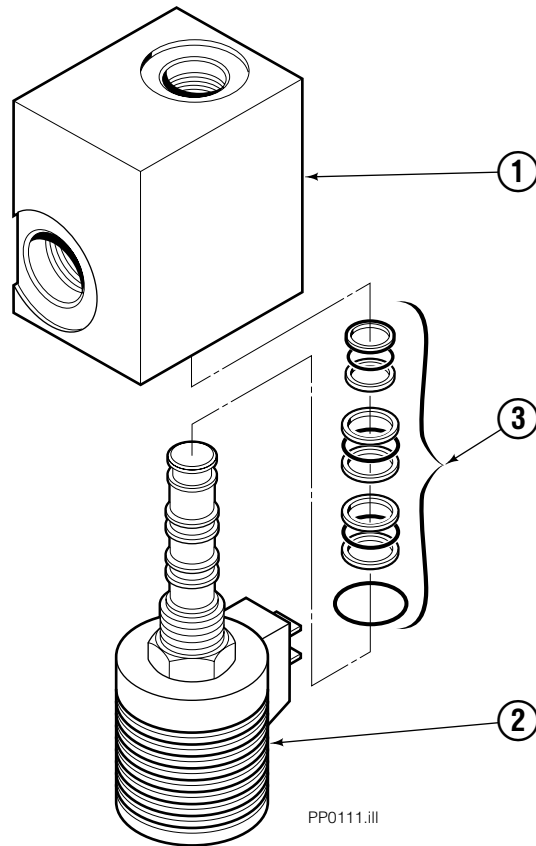
# Solenoid Valve



## Racine

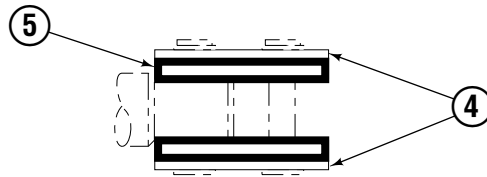
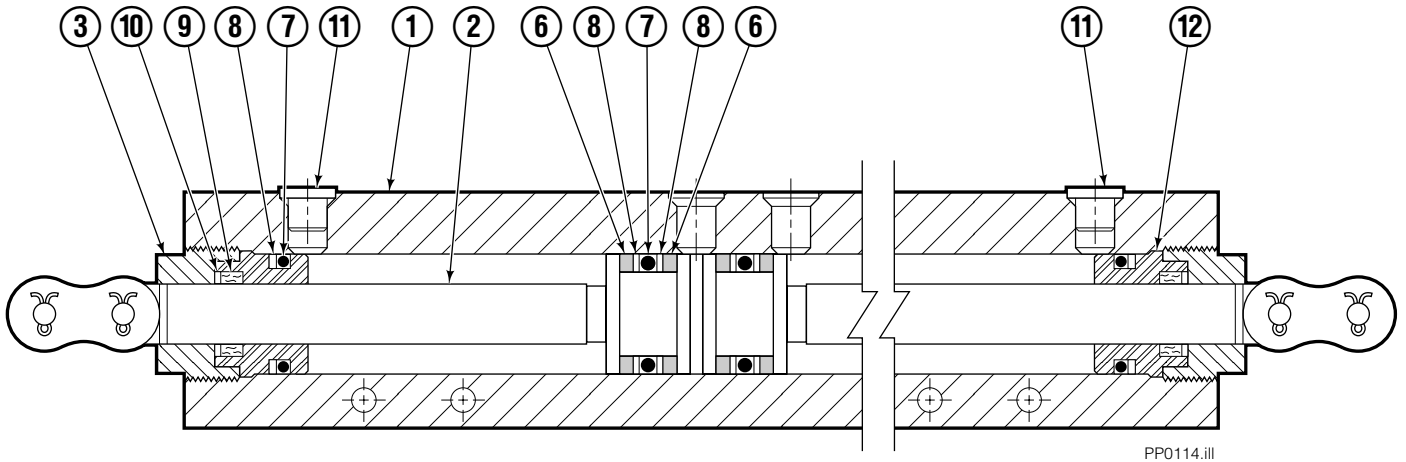
REF	QTY	PART NO.	DESCRIPTION
1	1	614089	Solenoid Valve – 12V
2	1	665044	Coil – 12V
		685012	Service Kit

# Solenoid Valves



REF	QTY	PART NO.	DESCRIPTION
1	1	<b>204991</b>	Solenoid Valve - 12V
1	1	204992	Solenoid Valve - 24V
1	1	204993	Solenoid Valve - 36V
1	1	<b>204994</b>	Solenoid Valve - 48V
1	1	204995	Solenoid Valve - 72V
2	1	204980	Coil - 12V
2	1	204981	Coil - 24V
2	1	204982	Coil - 36V
2	1	204983	Coil - 48V
2	1	204984	Coil - 72V
3	1	204990	Service Kit

# Hydraulic Adjustable Platen Cylinder

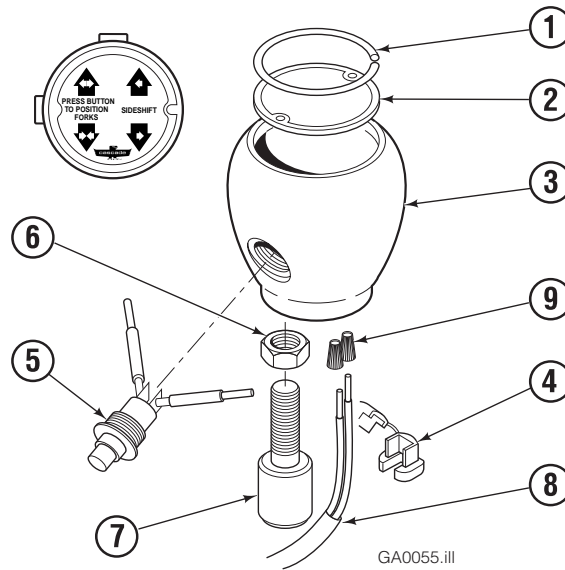


REF	QTY	PART NO.	DESCRIPTION
		683234	Cylinder Assembly
1	1	683235	Shell
2	2	683236	Rod
3	2	560306	Retainer Nut
4	2	563059	Link
5	4	563060	Side Plate
6	4	683238	■ Nylon Ring
7	4	2712	■ O-Ring
8	6	615116	■ Back-Up Ring
9	2	560307	■ Rod Seal
10	2	560309	■ Back-Up Ring
11	2	609234	Plug
12	2	560305	Retainer

■ Included in Service Kit 560308.

# Control Knob

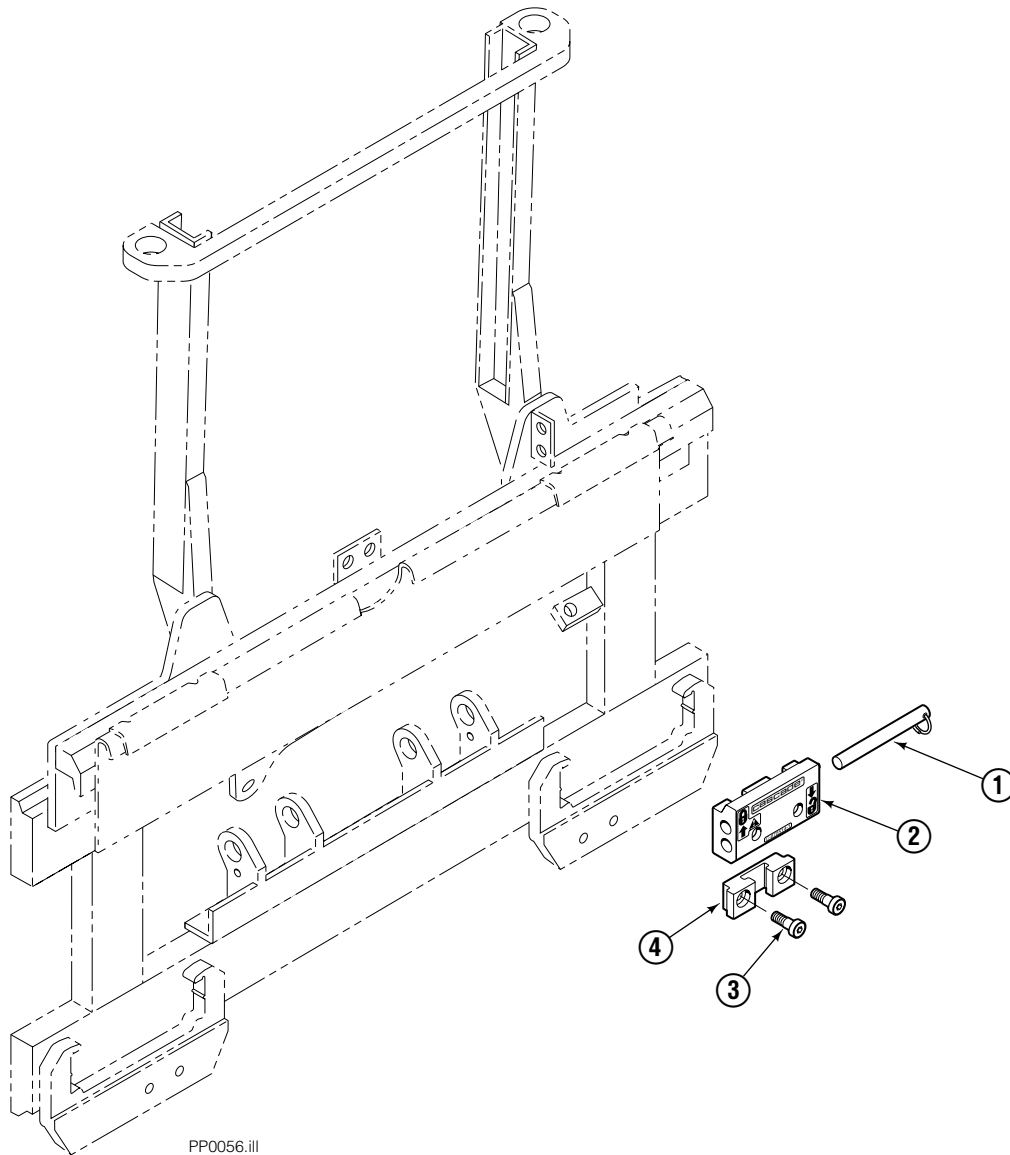
## Two Function – Sideshift Only



35E/45E			
REF	QTY	PART NO.	DESCRIPTION
		355058	Knob Group
1	1	665250	Snap Ring
2	1	355059	Cover
3	1	665012	Knob
4	1	665076	Strain Relief
5	1	677112	■ Switch
6	1	5902	Nut, 3/8 NC
7	1	665081	Adapter
8	1	667718	Cable Assembly
9	2	667752	Connector-Gray

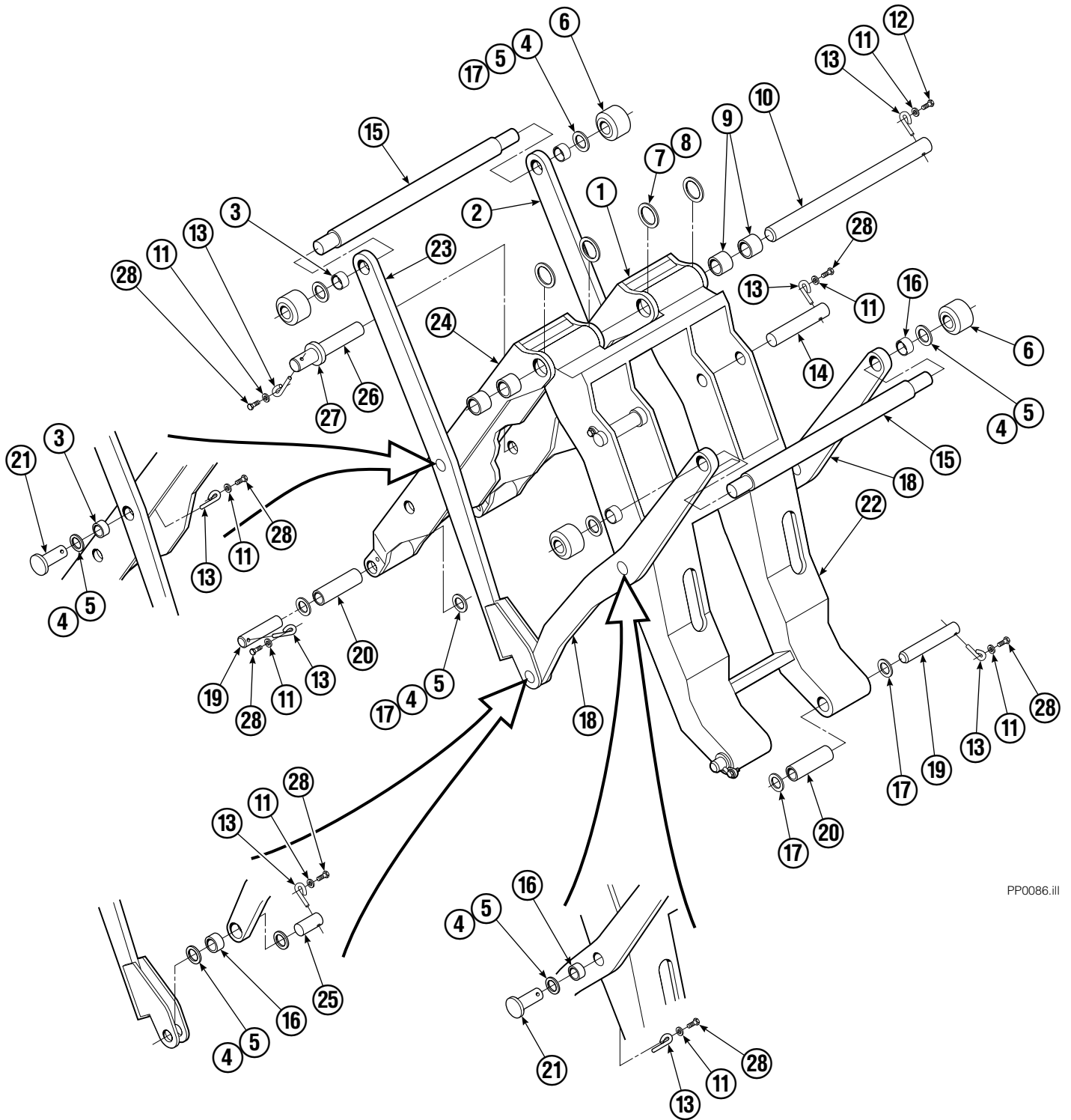
■ This switch may be purchased without wires. Order part number 665004. Soldering is required.

# Quick-Change Lower Hook Group ITA II



REF	QTY	PART NO.	DESCRIPTION
		683179	Lower Hook Group ITA II
1	2	678832	Pin
2	2	675514	Hook
3	4	683182	Capscrew
4	2	675515	Guide

# Mechanism Group



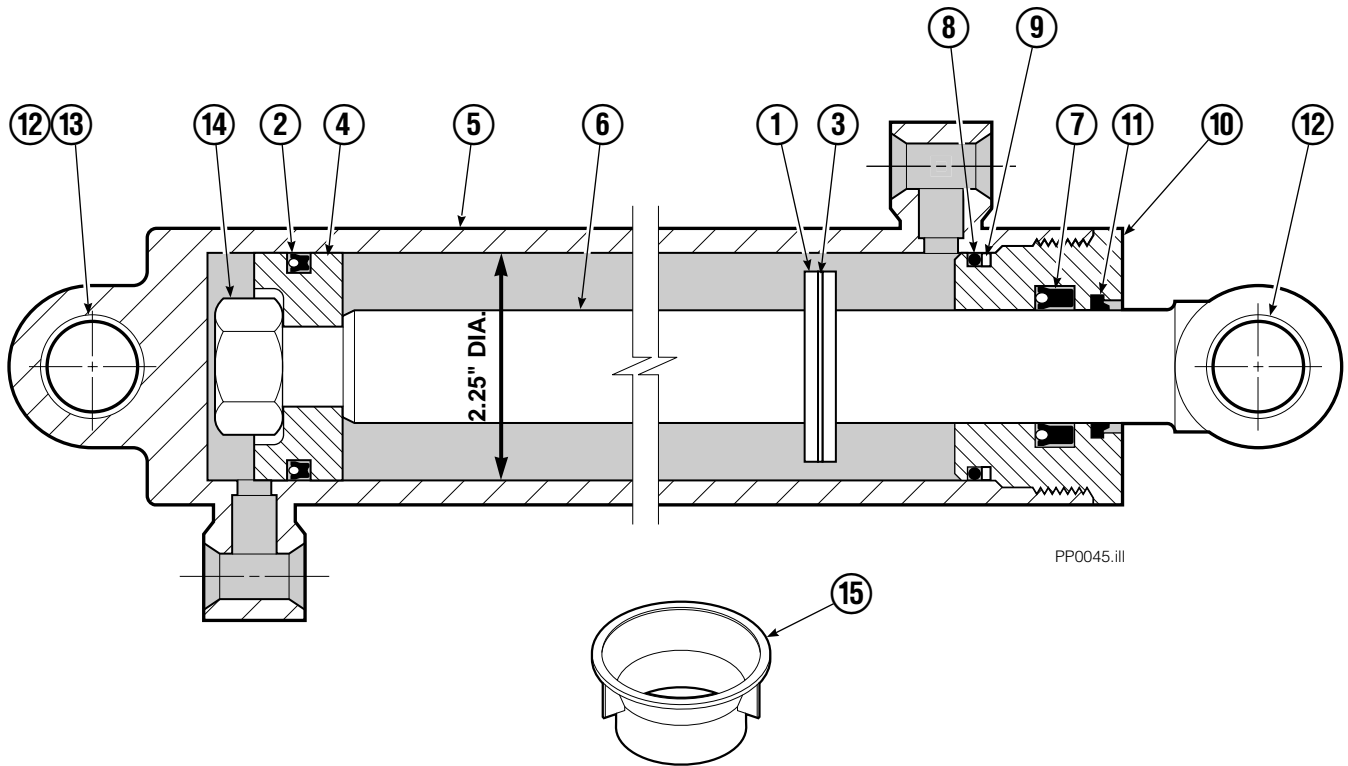
PP0086.ill

# Mechanism Group

<b>35E/45E</b>			
<b>REF</b>	<b>QTY</b>	<b>PART NO.</b>	<b>DESCRIPTION</b>
		204644	Mechanism Group
1	1	204691	Arm-Inner Secondary R. H.
2	1	204692	Arm-Secondary Outer R. H.
3	4	683154	■ Bushing
4	●	683161	Shim (.030)
5	●	683162	Shim (.060)
6	4	205070	Roller
7	●	683163	Shim (.030)
8	●	683164	Shim (.060)
9	4	683155	■ Bushing
10	1	682821	Pin
11	15	6229	Washer
12	2	685661	Capscrew
13	15	682999	Eye-Pin
14	2	682822	Pin-Head
15	2	205065	Pin
16	6	683153	■ Bushing
17	●	204532	Shim (.12)
18	2	204694	Arm-Outer Primary
19	4	204533	Pin-Frame
20	4	204535	■ Bushing
21	4	204695	Pin
22	1	204604	Arm-Inner Primary
23	1	204693	Arm-Secondary Outer L. H.
24	1	204690	Arm-Inner Secondary L. H.
25	2	204696	Pin-Outer
26	2	682823	Pin-Rod
27	2	683165	Spacer
28	13	767961	Capscrew

- Quantity as required.
- Included in Bushing Service Kit 205075.

# Cylinder

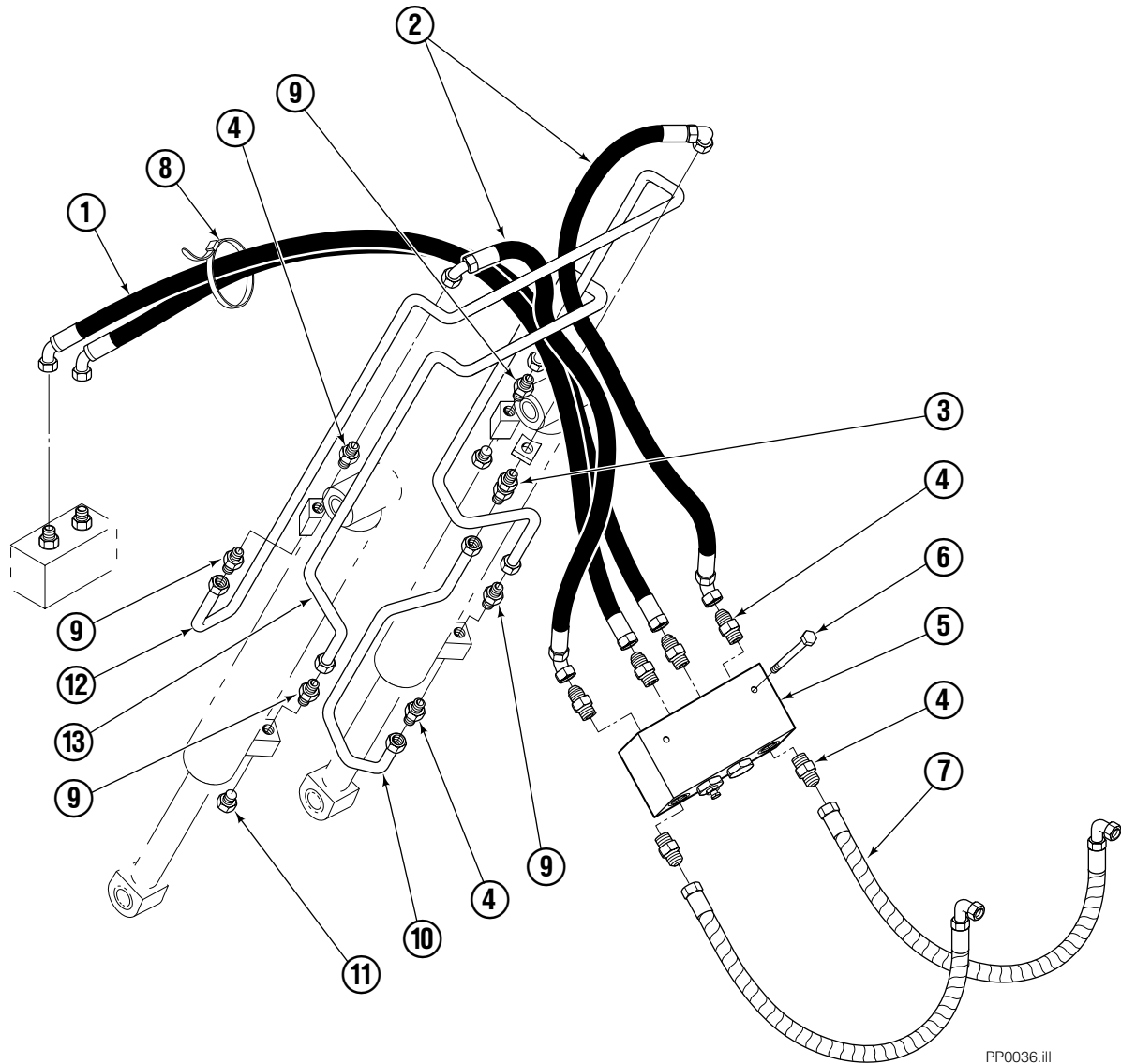


REF	QTY	PART NO.	DESCRIPTION
		582636	Cylinder Assembly
1	1	—	Spacer
2	1	564159	■ Seal
3	1	7348	Snap Ring
4	1	564161	Piston
5	1	562717	Shell
6	1	558626	Rod
7	1	662448	■ Seal
8	1	2787	■ O-Ring
9	1	615130	■ Back-Up Ring
10	1	558628	Retainer
11	1	636853	■ Wiper
12	4	559697	Bearing
13	1	559698	Spacer
14	1	678019	Nut
15	1	671048	■ Seal Loader Kit

■ Included in Service Kit 562339.

Reference: S-3424.

# Hydraulic Group



PP0036.ill

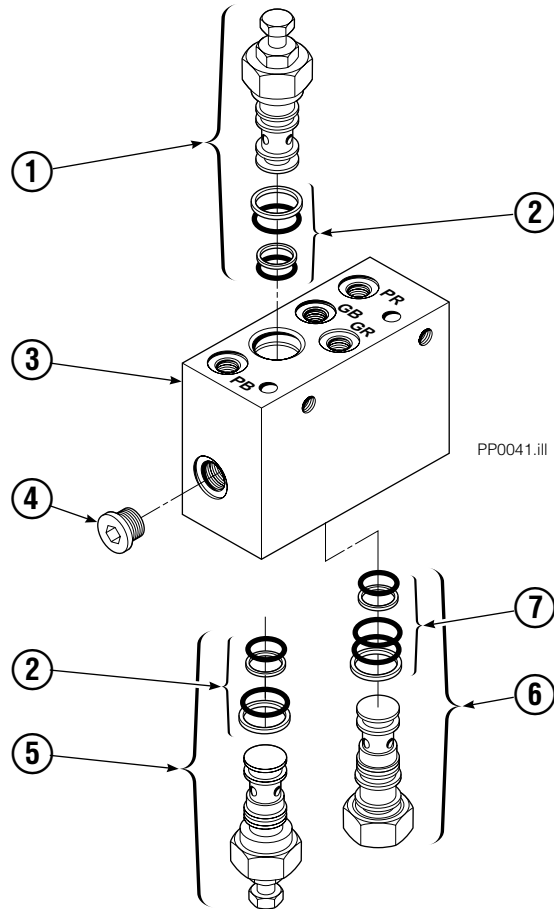
## 35E/45E

REF	QTY	PART NO.	DESCRIPTION
		685828	Hydraulic Group ITA II
1	1	685831	Hose
2	2	683173	Hose
3	1	2375	Fitting, 6-6
4	8	604511	Fitting, 6-6
5	1	682812	■ Valve
6	2	765329	Capscrew, M8x1.25x20-8.8
7	2	685978	Hose ITA II
8	2	684956	Cable tie
9	4	605235	Fitting 5-6
10	1	200647	Tube
11	2	604510	Plug, 6
12	1	200649	Tube
13	1	200648	Tube

■ See Valve page for parts breakdown.

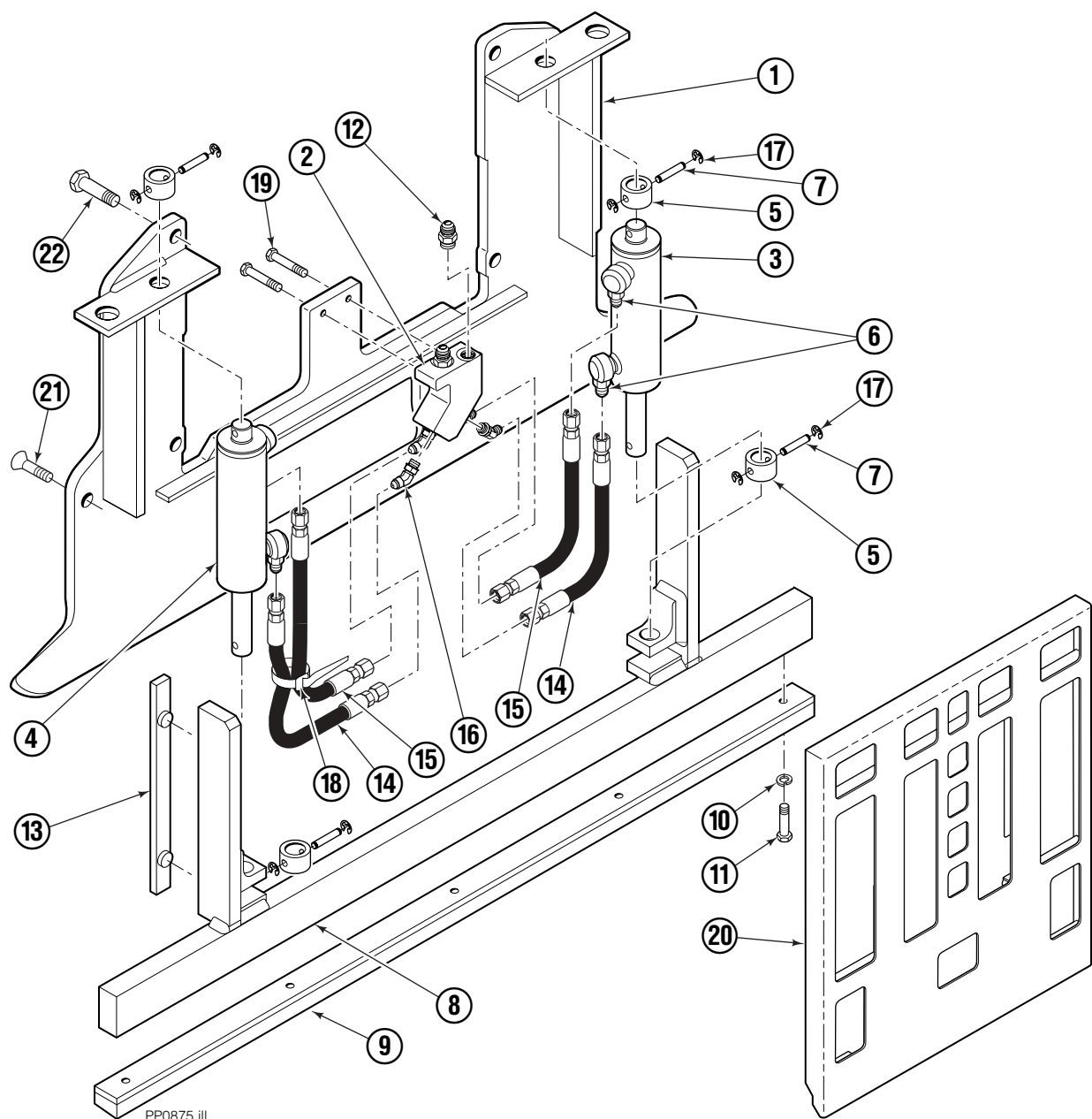
# Valve

## Load Push/Pull



REF	QTY	PART NO.	DESCRIPTION
		682812	Valve Assembly
1	1	677125	Sequence Valve (Retract)
2	2	669597	Service Kit
3	1	682813	Body
4	5	663694	Fitting, 3
5	1	677124	Sequence Valve (Extend)
6	1	659058	Gripper Check Valve
7	1	667516	Service Kit

# Faceplate Group



## 45E

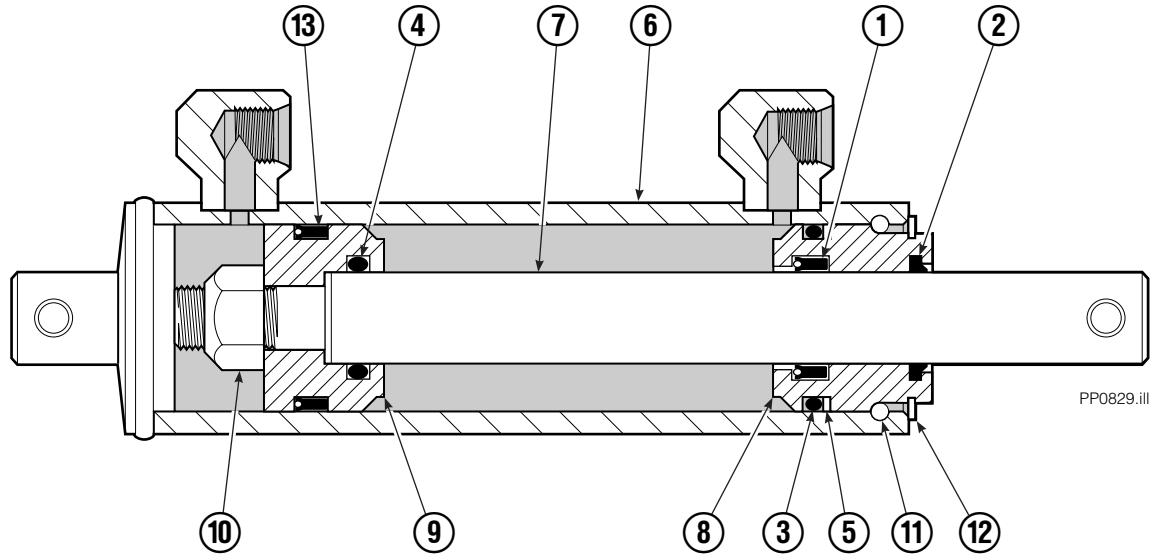
REF	QTY	PART NO.	DESCRIPTION	REF	QTY	PART NO.	DESCRIPTION
		6035138	Faceplate Group, 40 x 42 in. ■	11	5	787375	Capscrew, M8 x 20
		6020440	Gripper Jaw Assembly ●	12	2	604511	Fitting, 6-6
1	1	206396	Gripper Jaw	13	2	686573	Bearing
2	1	6002134	Valve	14	2	6002138	Hose, 315 mm
3	1	6020444	Gripper Cylinder, LH ◆	15	2	6002139	Hose, 450 mm
4	1	6020443	Gripper Cylinder, RH ◆	16	4	617918	Fitting, 4-4
5	4	6020462	Collar	17	8	669894	Retaining Ring
6	4	617915	Fitting, 4-4	18	4	684956	Wire Tie
7	4	6014089	Pin	19	2	787373	Capscrew, M8 x 20
8	1	6002135	Gripper Bar	20	1	6035139	Faceplate, 40 x 42 in. ■
9	1	672712	Gripper Pad	21	2	768714	Capscrew, M16 x 60
10	5	680253	Lockwasher, M8	22	4	225346	Capscrew, M16 x 60

■ Width x height.

◆ See Gripper Cylinder page for parts breakdown.

● Includes items 1-19.

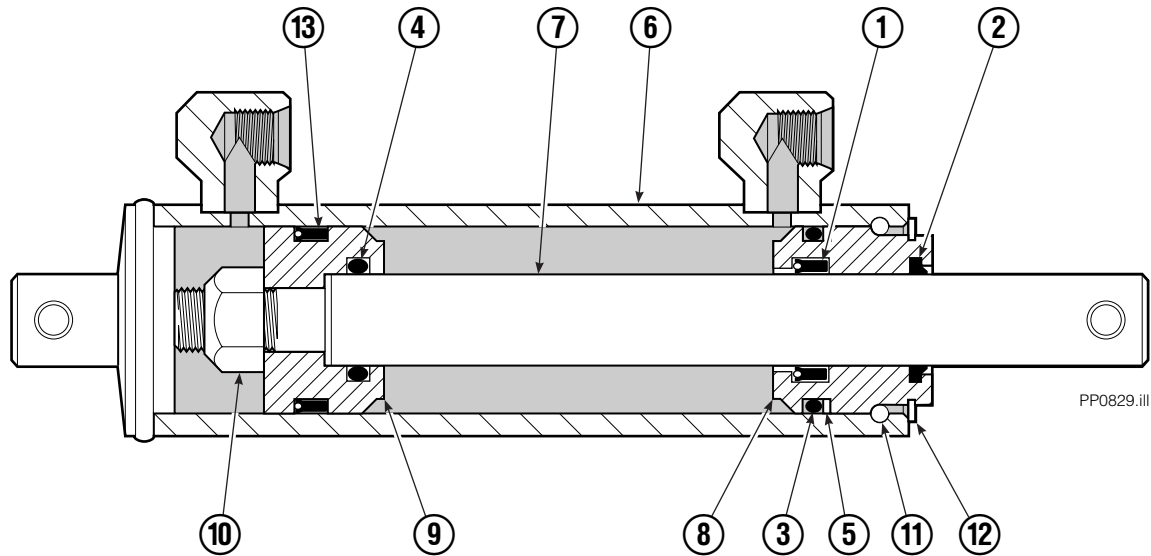
# Gripper Cylinder Left Hand



REF	QTY	PART NO.	DESCRIPTION
		6020444	Gripper Cylinder - LH
1	1	646540	▼ Seal
2	1	636850	▼ Wiper
3	1	2718	▼ O-Ring
4	1	2710	▼ O-Ring
5	1	615122	▼ Back-Up Ring
6	1	6020453	Shell
7	1	6020461	Rod
8	1	685664	Retainer
9	1	685665	Piston
10	1	563462	Nut
11	1	563916	Ring
12	1	3137	Ring
13	1	663728	▼ Piston Seal

▼ Included in Service Kit 684827.

# Gripper Cylinder Right Hand



REF	QTY	PART NO.	DESCRIPTION
		6020443	Gripper Cylinder – RH
1	1	646540	▼ Seal
2	1	636850	▼ Wiper
3	1	2718	▼ O-Ring
4	1	2710	▼ O-Ring
5	1	615122	▼ Back-Up Ring
6	1	6020452	Shell
7	1	6020461	Rod
8	1	685664	Retainer
9	1	685665	Piston
10	1	563462	Nut
11	1	563916	Ring
12	1	3137	Ring
13	1	663728	▼ Piston Seal

▼ Included in Service Kit 684827.



**Do you have questions you need answered right now?** Call your nearest Cascade Parts Department. Visit us online at [www.cascorp.com](http://www.cascorp.com)

**Cascade Corporation**

2501 Sheridan Avenue  
Springfield, OH 45505  
Tel: 888-CASCADE (227-2233)  
FAX: 888-329-0234

**Cascade Canada Inc.**

5570 Timberlea Blvd.  
Mississauga, Ontario  
Canada L4W-4M6  
Tel: 905-629-7777  
FAX: 905-629-7785

**Cascade GmbH**

Dahlener Strasse 570  
41239 Mönchengladbach  
Germany  
Tel: 02166-68230  
FAX: 02166-682323

**Cascade Finland**

A. Petreliuksenkatu 3  
01370 Vantaa  
Finland  
Tel: 09-8361925  
FAX: 09-8361935

**Cascade N.V.  
Benelux Sales and Service**

Damsluisweg 56  
PO Box 3009  
1300 El Almere  
The Netherlands  
Tel: 036-5492950  
FAX: 036-5492974

**Cascade (UK) Ltd.**

Unit 5, Eden Close  
Hellaby Lane Ind. Estate  
Heellaby,  
Rotherham S66 8RW  
England  
Tel: 01709-704500  
FAX: 01709-704501

**Sales Scotland  
Macade Systems Ltd.**

18 Melford Road  
Righead Ind. Estate  
Bellshill ML4 3LR  
Scotland  
Tel: 01698-845777  
FAX: 01698-845888

**Cascade (Africa) Pty. Ltd.**

PO Box 625, Isando 1600  
60A Steel Road  
Sparton, Kempton Park  
South Africa  
Tel: 975-9240  
FAX: 394-1147

**Cascade Scandinavia AB**

Hammarvägen 10  
PO Box 124  
S-56723 Vaggeryd  
Sweden  
Tel: 039-336950  
FAX: 039-336959

**Cascade France  
S.A.R.L. MHP**

1D Rue De Charaintru  
BP 18,  
91360 Epinay-Sur-Orge  
France  
Tel: 01-6454-7500  
FAX: 01-6454-7501

**Cascade Hispania S.A.**

Carrer 5, Sector C  
Zona Franca Duanera  
Poligono de la Zona Franca  
08040 Barcelona  
Spain  
Tel: 93-264-07-30  
FAX: 93-264-07-31

**Sales Italy**

Via Ponzano 11  
50047 Prato  
Italy  
Tel: 0574-571726  
FAX: 0574-571726  
Mobile Phone: 0337-673029

**Sales Portugal FAG  
Santos Lda**

Rua do Mercado  
Lte 6, Loja 2-Tires  
2785-630  
S. Domingos De Rana  
Portugal  
Tel: 214-448-083  
FAX: 214-458-098

**Sales Switzerland  
Fahrzeugbedarf**

8810, Horgen  
Switzerland  
Tel: 01-7279797  
FAX: 01-7279798

**Sales Poland**

Targowa 35/61  
03-728 Warszawa  
Tel: 022-619 00 49  
FAX: 022-619 00 49  
Mobile Phone: 0501-27 29 55

**Sales Russia**

EMCG Material Handling  
Equipment  
Moscow  
Tel: 095-795-2400  
FAX: 095-795-2475  
Email: [emcg@dol.ru](mailto:emcg@dol.ru)

**Cascade Japan Ltd.**

5-5-41,  
Torikai Kami  
Settsu, Osaka  
Japan, 566  
Tel: 81-726-53-3490  
FAX: 81-726-53-3497

**Cascade Korea**

108B Namdong Ind. Complex  
658-3 Gojan-Dong  
Namdong-Gu  
Inchon, 405-310 Korea  
Tel: 82-32-821-2051  
FAX: 82-32-821-2055

**Cascade Australia**

1445 Ipswich Road  
Rocklea, QLD 4106  
Australia  
Tel: 1-800227-223  
FAX: (07) 3373-7333

**Cascade New Zealand**

15 Ra Ora Drive  
East Tamaki, Auckland  
New Zealand  
Tel: 9-273-9136  
FAX: 9-273-9137

**Cascade-Xiamen**

No. 668 Yangguang Rd.  
Xinyang Industrial Zone  
Haicang, Xiamen City  
Fujian Province  
P.R. China 361026  
Tel: 86-592-651-2500  
FAX: 86-592-651-2571

**Cascade (Singapore)  
Trading Co.**

Four Seasons Park  
Autumn Block - Apt. 1802  
12 Cuscaden Walk  
Singapore  
Tel: 65-834-1935  
FAX: 65-834-1936

