



# Parts Manual

---

Model Single-Double Pallet Handler

Serial Number 55E-FDS-571

---

**cascade**<sup>®</sup>

For Technical Assistance call: 800-227-2233, Fax: 888-329-8207

To Order Parts call: 888-227-2233, Fax: 888-329-0234

OR

Write: Cascade Corporation, P.O. Box 20187, Portland, OR 97220

# Decals



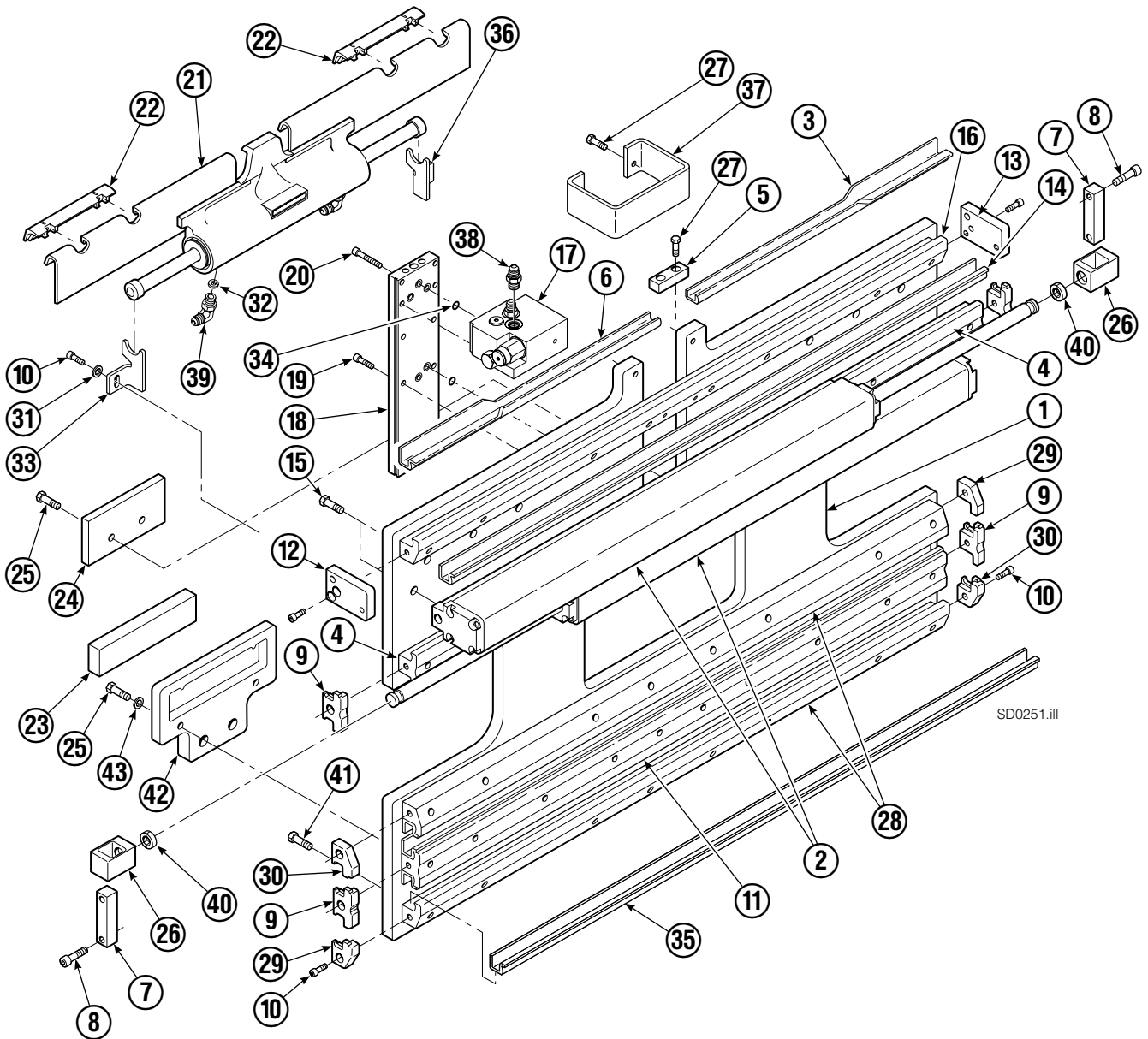
55E			
REF	QTY	PART NO.	DESCRIPTION
1	6	665595	No Hand Hold Decal
2	4	679150	No Step Decal

# Publications



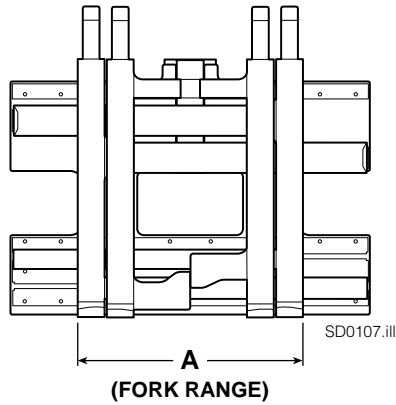
55E	
PART NO.	DESCRIPTION
	Parts Manual
213580	Operator's Guide
213372	Installation Instructions
679929	Tool Catalog
673964	Literature Index Order Form

# Base Unit Group – ITA Class II



SD0251.ill

# Base Unit Group – ITA Class II



**NOTE:** Position the outer forks to minimum width and measure **A** to determine minimum outer fork outside to outside (OTO) range.

55E			
REF	QTY	PART NO.	DESCRIPTION
		6008101	Base Unit Group – Class II
1	1	220016	Baseplate
2	2	6008134	Frame Cylinder ★
3	1	4786-0413	Bearing Segment – LH
4	2	214629	T-Bar – Upper
5	1	3013725	Fork Stop
6	1	4787-0413	Bearing Segment – RH

## Common Parts

REF	QTY	PART NO.	DESCRIPTION	REF	QTY	PART NO.	DESCRIPTION
7	2	210489	Rod End Anchor ■	27	2	684649	Capscrew, M10 x 25
8	4	768303	Capscrew, M10 x 35 ■	28	2	214633	T-Bar – Lower
9	4	210140	Bearing Retainer	29	2	212585	Bearing Retainer
10	14	787375	Capscrew, M8 x 20 GR 8.8	30	2	212586	Bearing Retainer
11	1	214631	T-Bar – Lower	31	2	787398	Washer
12	1	220009	Retainer/Stop – RH	32	2	564226	Washer
13	1	220008	Retainer/Stop – LH	33	1	213737	Bracket – RH
14	4	4730-1050	Bearing Segment	34	7	214053	O-Ring
15	20	211689	Capscrew, M12 x 30 GR 10.9	35	4	4730-1040	Bearing Segment
16	1	220143	T-Bar – Upper	36	1	213736	Bracket – LH
17	1	216838	Valve Assembly ▲	37	1	212741	Valve Guard
18	1	211456	Manifold	38	2	604511	Fitting, 6-6 ◆
19	8	768208	Capscrew, M8 x 25	39	2	601676	Fitting, 6-6 ◆
20	2	768800	Capscrew, M8 x 60	40	4	210490	Retainer Half Ring ■
21	1	205842	Sideshift Cylinder ●	41	30	214487	Capscrew, M12 x 40
22	2	204187	Upper Bearing	42	2	215226	Hanger
23	2	208350	Lower Bearing	43	4	787383	Lockwasher, M10
24	2	212709	Spacer Block	44	2	768208	Capscrew, M8 x 25
25	4	767615	Capscrew, M10 x 25	45	2	768802	Capscrew, M8 x 70
26	2	209741	Rod End ■				

★ See Frame Cylinder page for parts breakdown.

▲ See Valve Assembly page for parts breakdown.

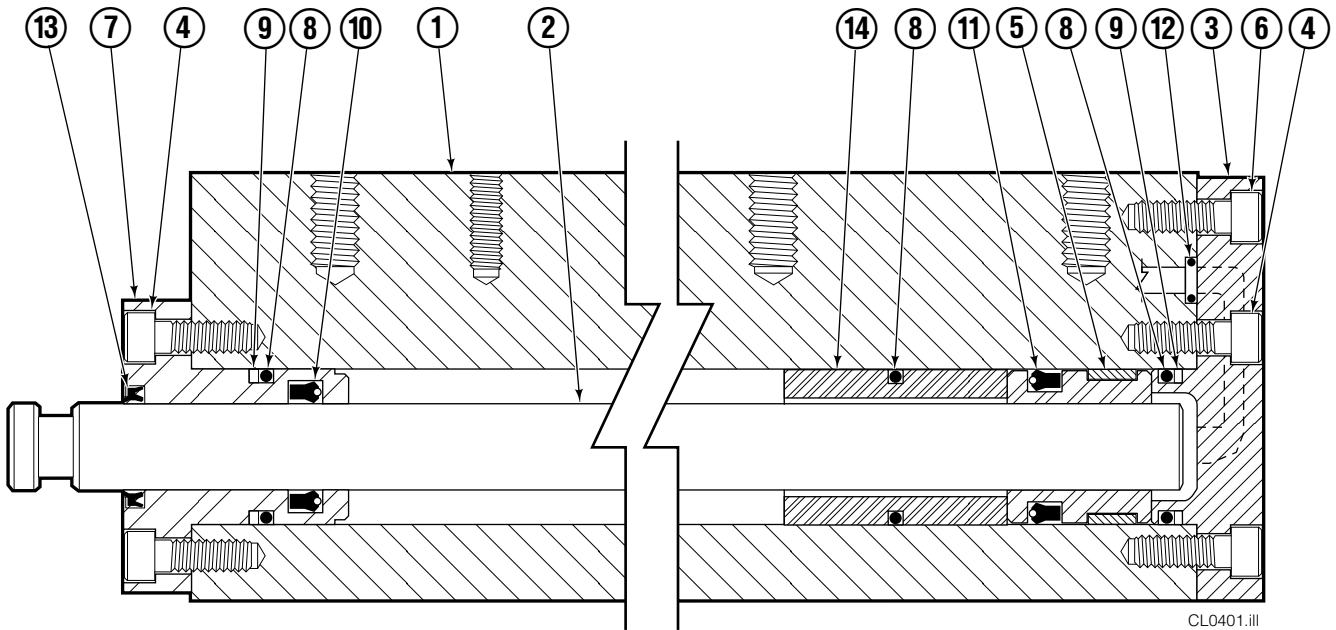
■ Included in Cylinder Rod Anchor Kit 213856.

● See Sideshift Cylinder page for parts breakdown.

◆ Included in Fitting Group 213099.

Reference: SK-6374.

# Cylinder



REF	QTY	PART NO.	DESCRIPTION	REF	QTY	PART NO.	DESCRIPTION
		6008134	Cylinder Assembly	8	3	643379	O-Ring ▲
1	1	214623	Cylinder/Shell	9	2	210050	Back-Up Ring ▲
2	1	4157-853	Rod	10	1	212477	Seal ▲
3	1	213783	Cap	11	1	209808	Seal ▲
4	8	768208	Capscrew, M8 x 25	12	2	214053	O-Ring ▲
5	1	209809	Bearing ▲	13	1	562131	Wiper ▲
6	1	787375	Capscrew, M8 x 20	14	1	--	Spacer
7	1	212452	Retainer			210288	Service Kit

▲ Included in Service Kit 210288  
Reference: S-4644, S-4643.

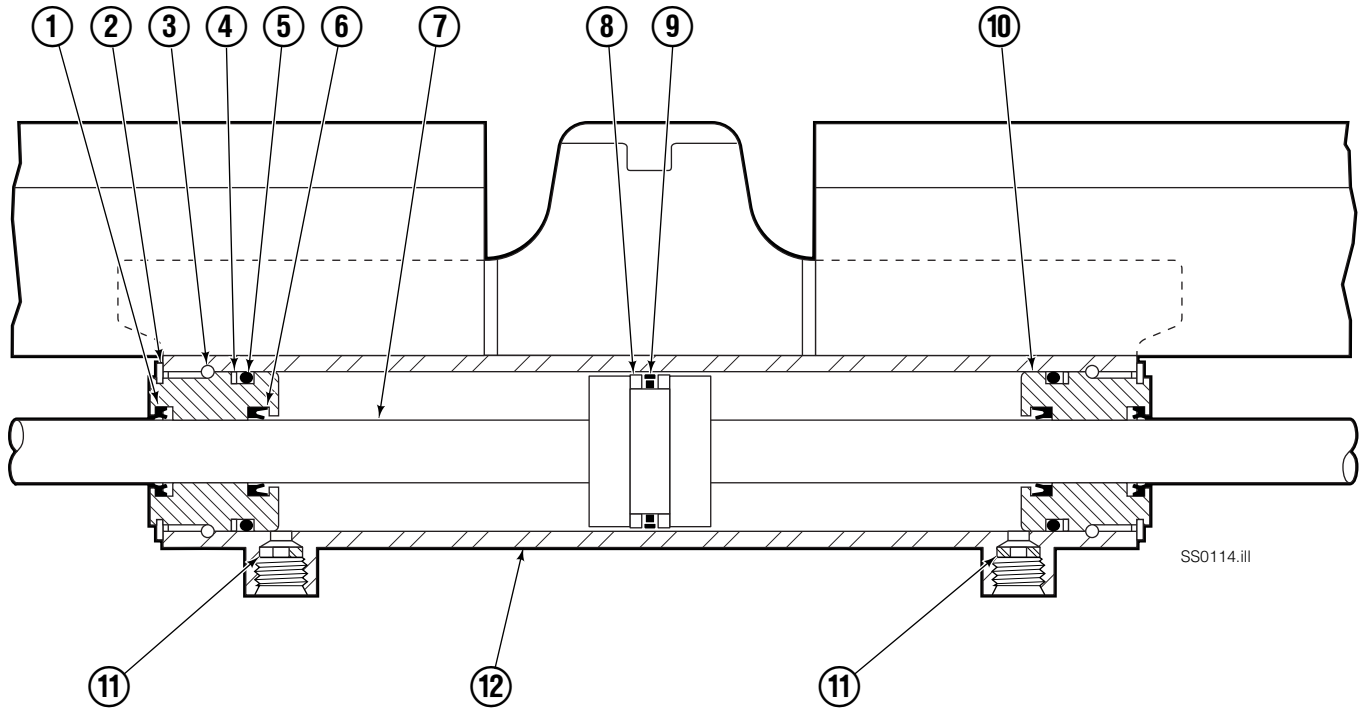
# Valve ITA Class III



SD0176.ill

55E			
REF	QTY	PART NO.	DESCRIPTION
		216838	Valve Assembly
1	1	219039	Check Valve
2	1	—	Service Kit
3	1	609234	Plug
4	1	216839	Valve Body
5	1	213535	Crossover Relief Valve
6	1	682170	Service Kit
7	1	219040	Flow Divider/Combiner
8	1	—	Service Kit

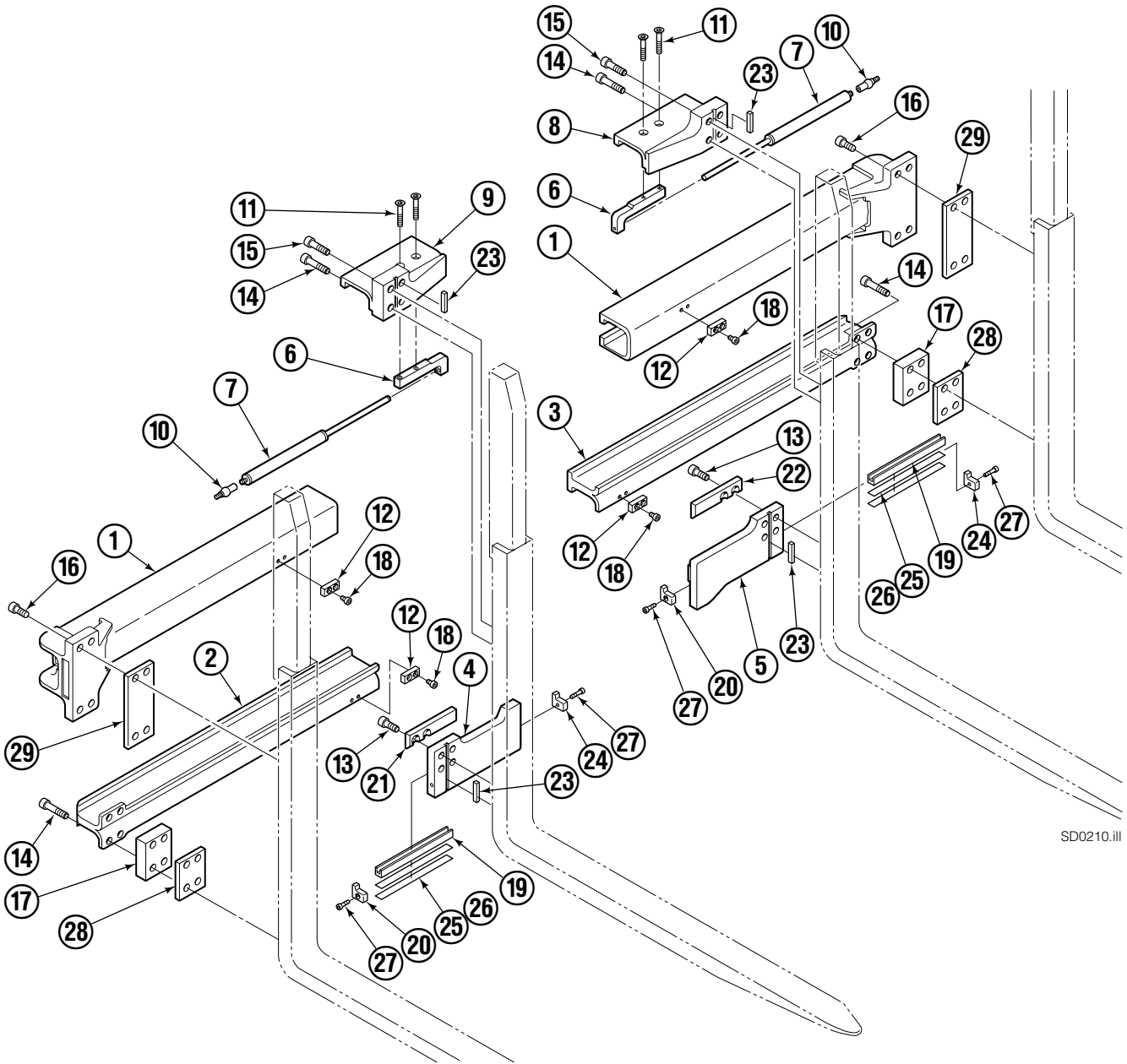
# Sideshift Cylinder ITA Class II



55E			
REF	QTY	PART NO.	DESCRIPTION
		205842	Cylinder Assembly
● 1	2	562131	Wiper Seal
2	2	562951	Snap Ring
3	2	562942	Retaining Ring
● 4	2	563388	Back-Up Ring
● 5	2	562127	O-Ring
● 6	2	562132	Rod Seal
7	1	562055	Rod
● 8	2	563278	Bearing Ring
● 9	1	564141	Piston Seal
10	2	562792	Retainer
11	2	205369	Speed Control Washer
12	-	■	Cylinder Shell
		563487	Service Kit

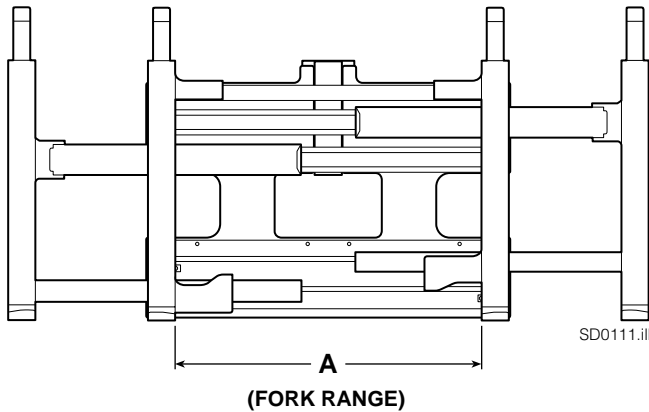
- Included in Service Kit 563487.
- Not serviceable, order new cylinder assembly.

# Arm Group



SD0210.III

# Arm Group



**NOTE:** Position the inner forks to maximum width and measure **A** to determine maximum inner fork inside to inside (ITI) range.

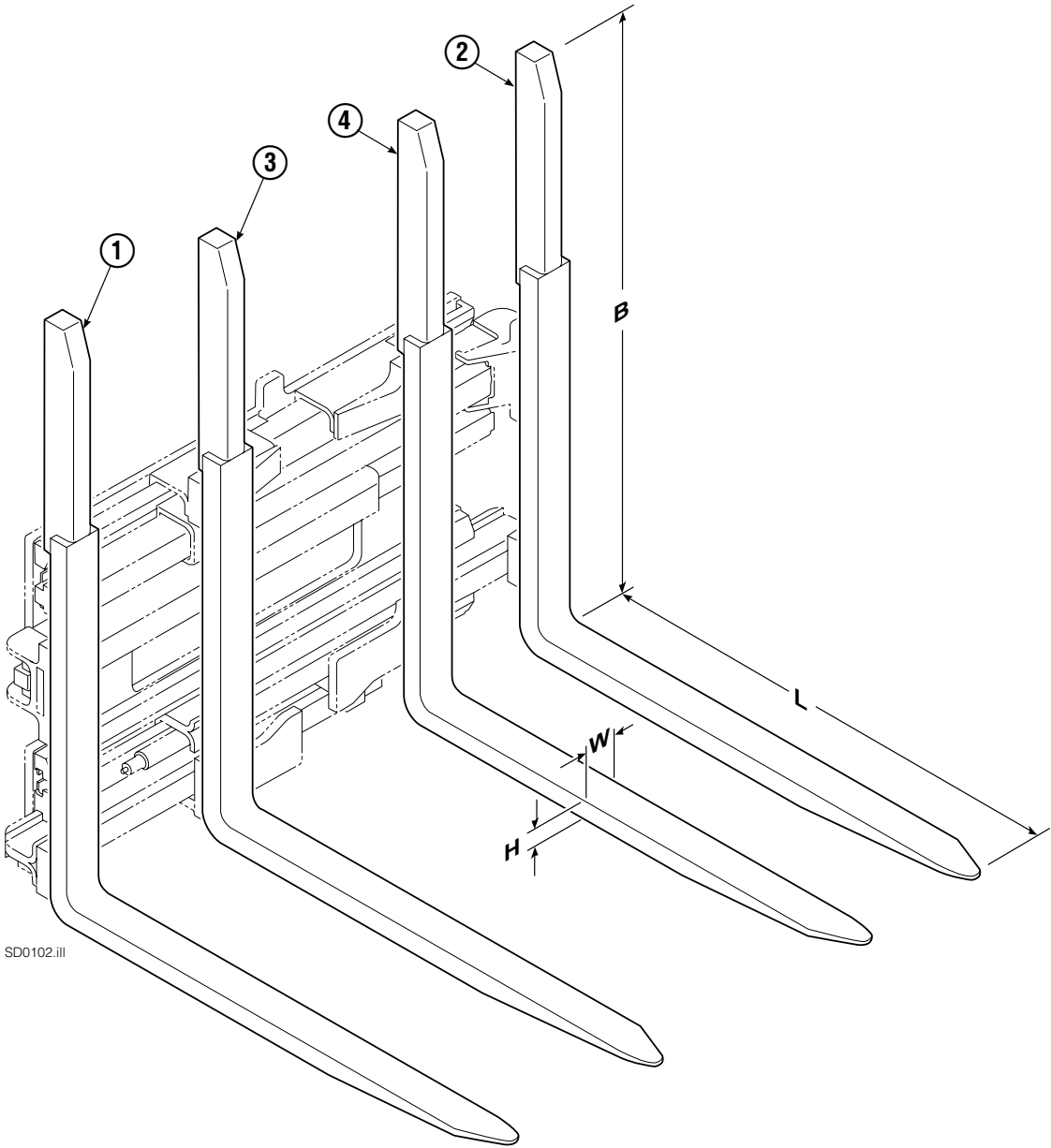
<b>55E</b>			
REF	QTY	PART NO.	DESCRIPTION
		6008100	Arm Group
1	2	6008151	Upper Arm Bar
2	1	6008153	Lower Arm Bar – RH
3	1	6008152	Lower Arm Bar – LH
4	1	3013721	Lower Hook – RH
5	1	3013722	Lower Hook – LH
6	2	10273-0162	Bracket
7	2	219979	Gas Spring

## Common Parts

REF	QTY	PART NO.	DESCRIPTION	REF	QTY	PART NO.	DESCRIPTION
8	1	220096	Upper Hook – LH	19	2	4501-0222	Bearing Segment
9	1	220095	Upper Hook – RH	20	2	212979	Bearing Retainer
10	2	213011	Ball Joint	21	1	212682	Bearing – RH
11	4	766646	Capscrew, M10 x 20	22	1	213899	Bearing – LH
12	4	212687	Fork Stop	23	4	213364	Key
13	8	769574	Capscrew, M16 x 35	24	2	213360	Bearing Retainer
14	12	769578	Capscrew, M16 x 60	25	4	212559	Shim, .04 in. (1 mm)
15	4	769577	Capscrew, M16 x 50	26	4	213913	Shim, .02 in. (.5 mm)
16	8	769573	Capscrew, M16 x 30	27	4	787375	Capscrew, M8 x 20
17	2	210587	Spacer	28	4	797611	Spacer
18	4	214414	Capscrew, M10 x 12	29	4	797610	Spacer

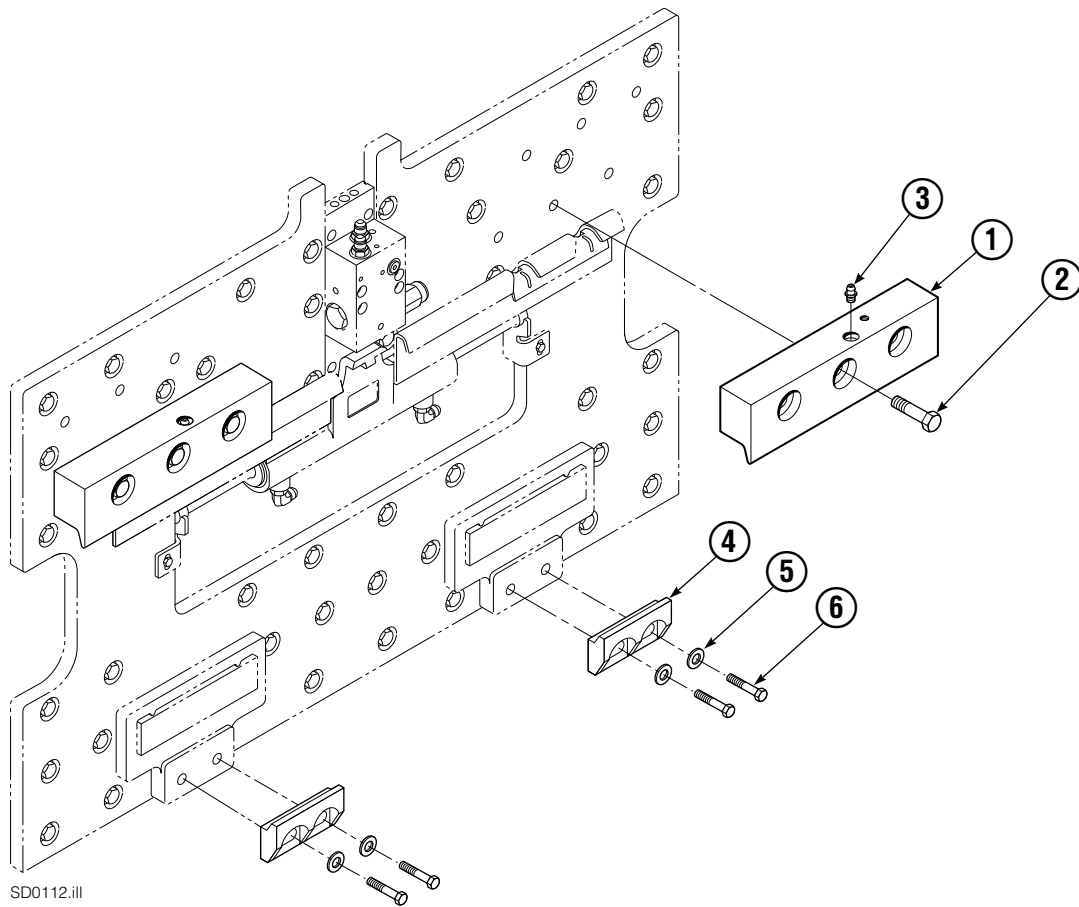
Reference: SK-6373 and 6374. Common Parts Group 220285.

# Tube Backrest/Fork Group



55E								
SIZE (in.)				FORK GROUP PART NO.	REF ①	REF ②	REF ③	REF ④
B	W	H	L		Outer Fork-RH	Outer Fork-LH	Inner Fork-RH	Inner Fork-LH
60	3.2	1.8	48	6008079	6008027	6008026	6008030	6008029

# Mounting Group ITA Class II



SD0112.ill

55E			
REF	QTY	ITA II	DESCRIPTION
		PART NO.	
		212569	Upper Hook Group ▲
		211173	Lower Hook Group ★
1	2	210591	Upper Hook
2	6	751511	Capscrew, M16x55
3	2	7403	Grease Fitting
4	2	675968	Lower Hook
5	4	667910	Washer
6	4	211128	Capscrew

▲ Includes items 1, & 2.

★ Includes items 4, 5, & 6.

Reference: SK-6116.

**Do you have questions you need answered right now?** Call your nearest Cascade Parts Department.

**Cascade Corporation**  
2501 Sheridan Avenue  
Springfield, OH 45505  
Tel: 888-CASCADE (227-2233)  
FAX: 888-329-0234

**Cascade Canada Inc.**  
5570 Timberlea Blvd.  
Mississauga, Ontario  
Canada L4W-4M6  
Tel: 905-629-7777  
FAX: 905-629-7785

**Cascade GmbH**  
D-41199 Monchengladbach  
Klosterhofweg 52  
Germany  
Tel: 21-66-602091  
FAX: 21-66-680947

**Cascade Finland**  
01370 Vantas  
Finland  
Tel: 358-0-836-1925  
FAX: 358-0-836-1935

**Cascade N.V.  
European Headquarters**  
P.O. Box 3009  
1300 El Almere  
Damsluisweg 56  
1332 ED Almere  
The Netherlands  
Tel: 31-36-5492911  
FAX: 31-36-5492964

**Cascade N.V.  
Benelux Sales and Service**  
P.O. Box 3009  
1300 El Almere  
Damsluisweg 56  
1332 ED Almere  
The Netherlands  
Tel: 31-36-5492950  
FAX: 31-36-5492974

**Cascade (UK) Ltd.**  
15, Orgreave Crescent  
Dore House Industrial Estate  
Handsworth  
Sheffield S13 9NQ  
England  
Tel: 742-697524  
FAX: 742-695121

**Cascade Scandinavia  
Hydraulik A.B.**  
Muskötgatan 19, E8-9  
S25466 Helsingborg  
Sweden  
Tel: 42-151135  
FAX: 42-152997

**Cascade Norway**  
Østerliveien 37A  
1153 Oslo  
Norway  
Tel: 47-22-743160  
FAX: 47-22-743157

**Cascade France S.A.R.L.**  
11, Rue Jean Charcot  
Zone Industrielle Sud or  
B.P. 22  
91421 Morangis Cedex  
France  
Tel: 1- 64547501  
FAX: 1-9790584

**Cascade Hispania S.A.**  
Avenida De La Fabregada, 7  
Hospitalet De Llobregat  
Barcelona  
Spain  
Tel: 3-335-5158  
FAX: 3-335-4756

**Cascade Japan Ltd.**  
5-5-41,  
Torikai Kami  
Settsu, Osaka  
Japan, 566  
Tel: 81-726-53-3490  
FAX: 81-726-53-3497

**Cascade Korea**  
Room 508, Pum Yang Bldg.  
750-14, Bang Bac-Dong  
Se-Cho Ku, Seoul  
Korea  
Tel: 2599-7131 ext. 512  
FAX: 2533-8089

**HYCO-Cascade Pty. Ltd.**  
1445 Ipswich Road  
Rocklea,  
Queensland 4107  
Australia  
Tel: 3-274-2722  
FAX: 3-274-3456

**HYCO-Cascade (NZ) Ltd.**  
15 Ra Ora Drive, East Tamaki  
P.O. Box 38-440  
Howick, Auckland  
New Zealand  
Tel: 9-273-9136  
FAX: 9-273-9137

**Cascade (Africa) Pty. Ltd.**  
P.O. Box 625, Isando 1600  
60A Steel Road  
Sparton, Kempton Park  
South Africa  
Tel: 975-9240  
FAX: 394-1147

**Cascade-Xiamen**  
Wanshan No. 1 Workshop  
Huli Road  
Xiamen 361006  
Fujian, PRC  
Tel: 592-562-4600  
FAX: 592-562-4671

**Cascade (Singapore)  
Trading Co.**  
Four Seasons Park  
Autumn Block - Apt. 1802  
12 Cascaden Walk  
Singapore  
Tel: 65-834-1935  
FAX: 65-834-1936

