



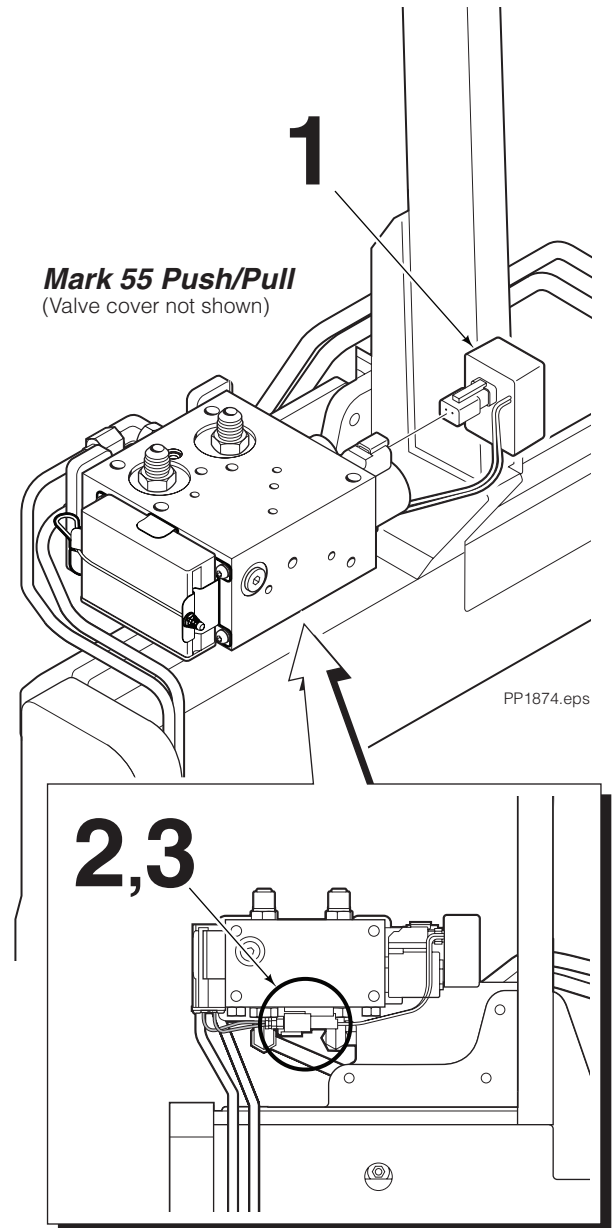
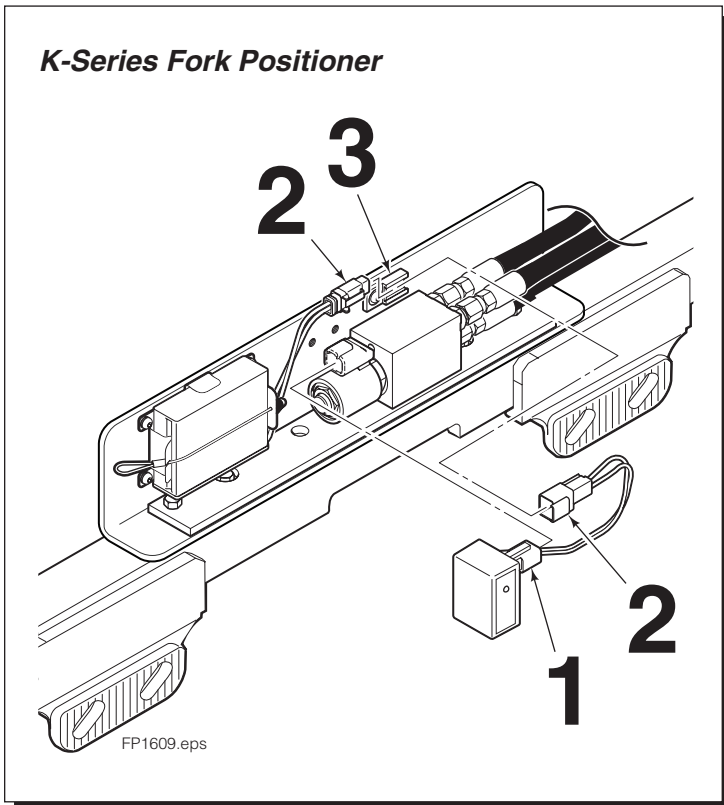
Installation Instructions

Radio Frequency (RF) Transmitter Kit 6068961

This sheet provides installation instructions for radio frequency transmitter kit 6068961 used on Cascade K-Series Fork Positioners and Mark 55 Push/Pull attachments.

Receiver Installation

- 1 Connect the receiver to the solenoid coil plug.
- 2 Connect the battery plug to the receiver plug.
- 3 Install the connected battery/receiver plug into the receiver clip.



cascade[®]
corporation

For Technical Support . . .

Call: 1-800-227-2233 Fax: 1-888-329-8207
Internet: www.cascorp.com
Write: Cascade Corporation, PO Box 20187, Portland, OR 97294

To Order Parts . . .

Call: 1-888-227-2233 Fax: 1-888-329-0234
Internet: www.cascorp.com
Write: Cascade Corporation, 2501 Sheridan Ave., Springfield, OH 45505

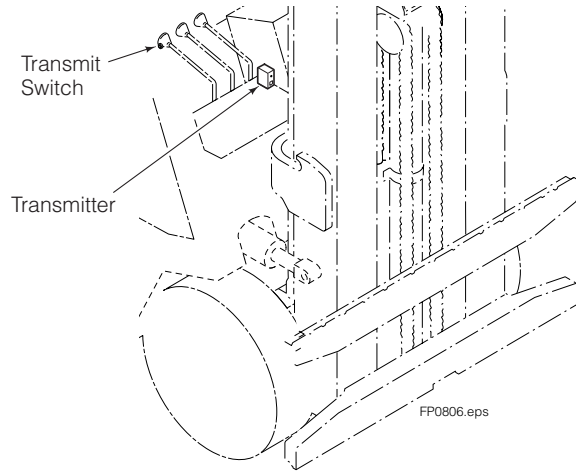
Transmitter Installation

1 Install the transmitter above dashboard in an easy to view and accessible location for the driver. Provide at least 8 in. (20 cm) clearance between the driver and transmitter.

IMPORTANT: The transmitter must not be co-located or operating in conjunction with any other antenna or transmitter.

2 Connect the transmitter red wire to a switched terminal on the truck fuse block. Connect the black wire to chassis ground. Connect the two remaining wires to a control knob transmit switch. Use Cascade Control Knob Kit 673130 or Switch Kit 6014880.

IMPORTANT: The resistor connected to the red wire is for use on trucks operating at 31V to 80V. Remove the resistor on trucks operating at 30V or less.

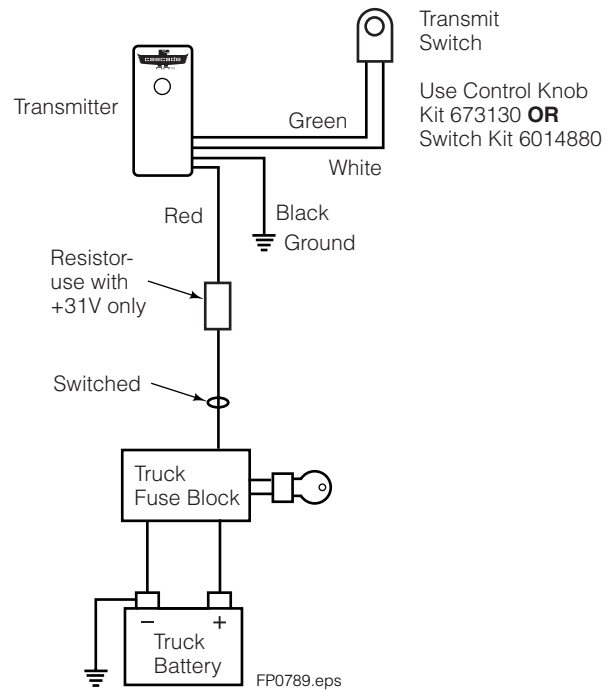


Operation

Verify that the transmitter has been properly connected to truck battery and receiver is plugged into the battery. The light on the transmitter and receiver will operate as follows:

- **No signal light:** Check transmitter supply voltage. If transmitter voltage is not the problem, install charged battery on the receiver.
- **Solid/flashing green:** Transmitter and receiver have adequate power and are working properly.
- **Solid/flashing red:** Receiver battery is low, replace with charged battery.

NOTE: After one hour of inactivity, the receiver goes into sleep mode to conserve power. Press and hold the transmit switch for two seconds to wake the unit for operation.



Battery

NOTE: Charge new batteries prior to use.

Chargers available are listed:

Location	Battery Charger
	Part No.
North America	6079239
Australia	6079700
United Kingdom	6079701
Europe	6079699

Voltage switch on the charger should be set to 10.8V/11.1V.