
Parts Manual
Ersatzteilliste
Manuel de pièces détachées

170D Pulp Bale Clamps

170D Zellulose Ballenklammer

170D Pince à Balles de Cellulose

Introduction

How to use this manual

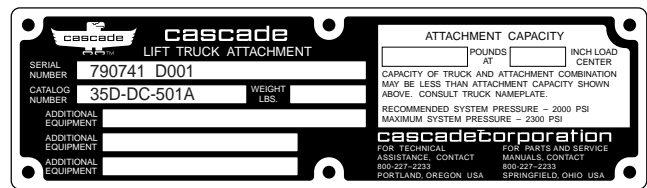
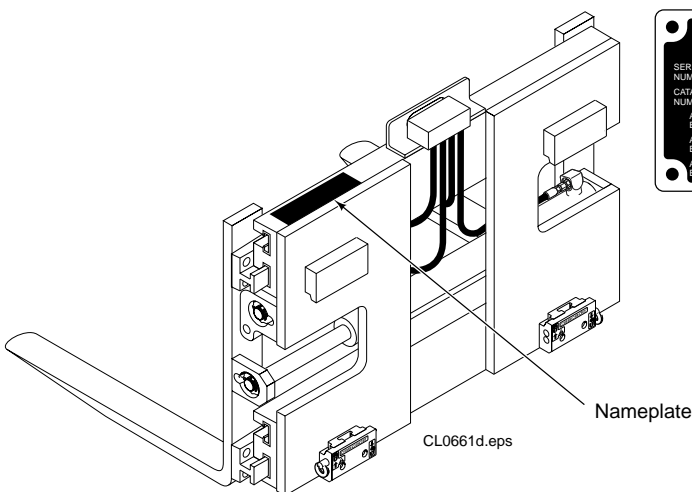
This manual illustrates service replacement parts for standard production Cascade clamps. To locate a particular part refer to the Unit Identification Index (U.I. Index) directly preceding the parts list section of this manual. Parts manuals for Cascade Application Engineering Department will have an AED designation followed by an AED number on the cover of the manual. To locate a particular part in an AED manual turn to the page with the related group heading (i.e. Frame Group, Check Valve Group, etc.) If there is more than one parts list on the page, use the list indicated with a red arrow. Quantities shown in both manuals are for one complete assembly unless otherwise indicated.

Important

Standard parts manuals are not interchangeable with AED manuals and will not reflect the special engineering of the AED products. When ordering replacement parts, always give the attachment unit identification number, part number, description of part and quantity required. For further information on parts, maintenance or ordering, consult your lift truck dealer.

Unit Identification Number

The Unit Identification (U.I.) Number indicates the specific combination of component parts used in each individual Clamp. Two units may have the same catalogue number yet may incorporate components of different design modifications. The U.I. Number Index gives the page number for required parts, and allows the person receiving parts order to double check in case of an error in ordering.



Reading the Attachment Nameplate

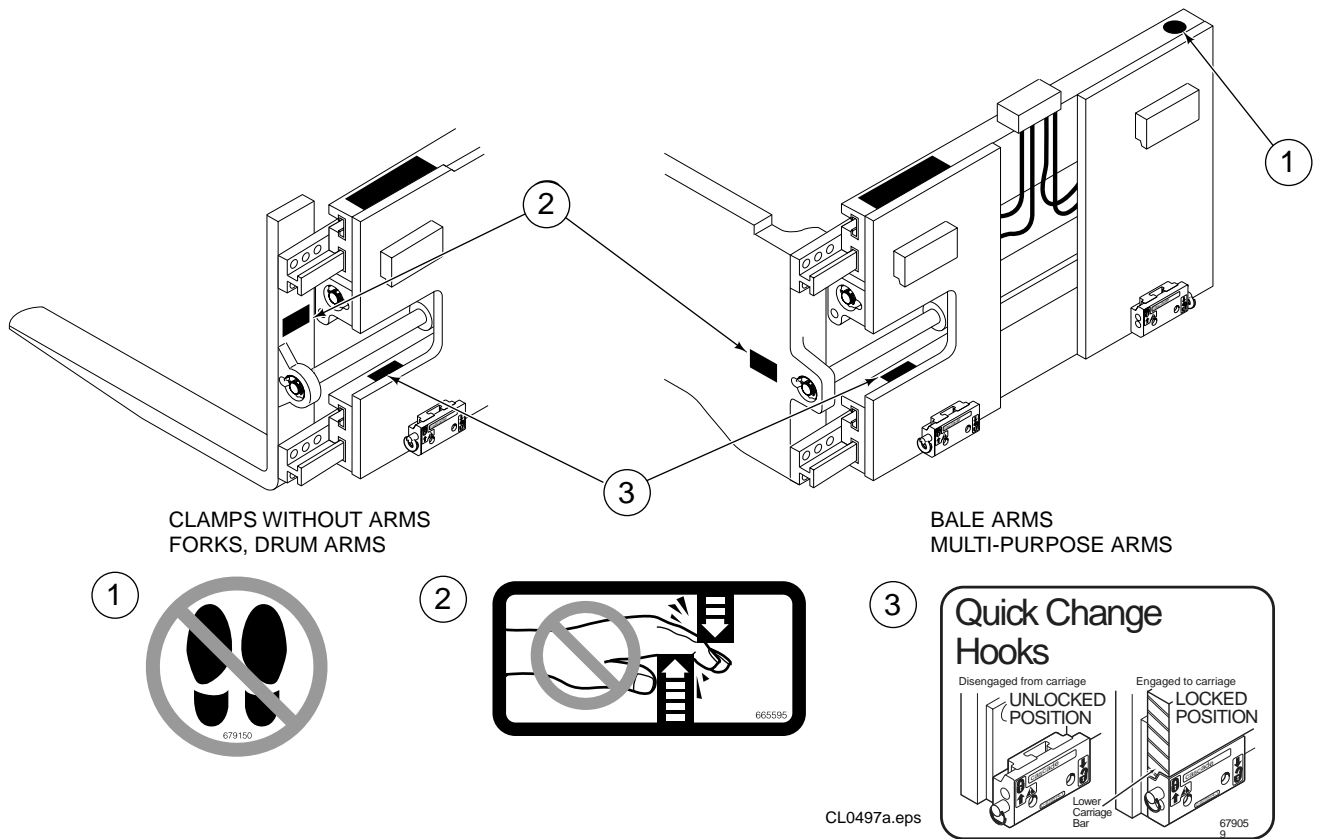
Cascade's nameplate is riveted to the clamp frame. This plate shows clamp size and model, type, rated capacity, serial, unit identification and catalogue numbers. The serial and unit identification numbers are stamped under the nameplate as well as on the nameplate itself.

Parts Index

When using the parts list index, first locate the U.I. number on the attachment nameplate. List this number and refer to the index located in the of this manual. Locate your U.I. number in the first column. Columns to the right will refer you to the proper page number for a particular parts group.

We reserve the right to make changes in our design and add improvement without notice.

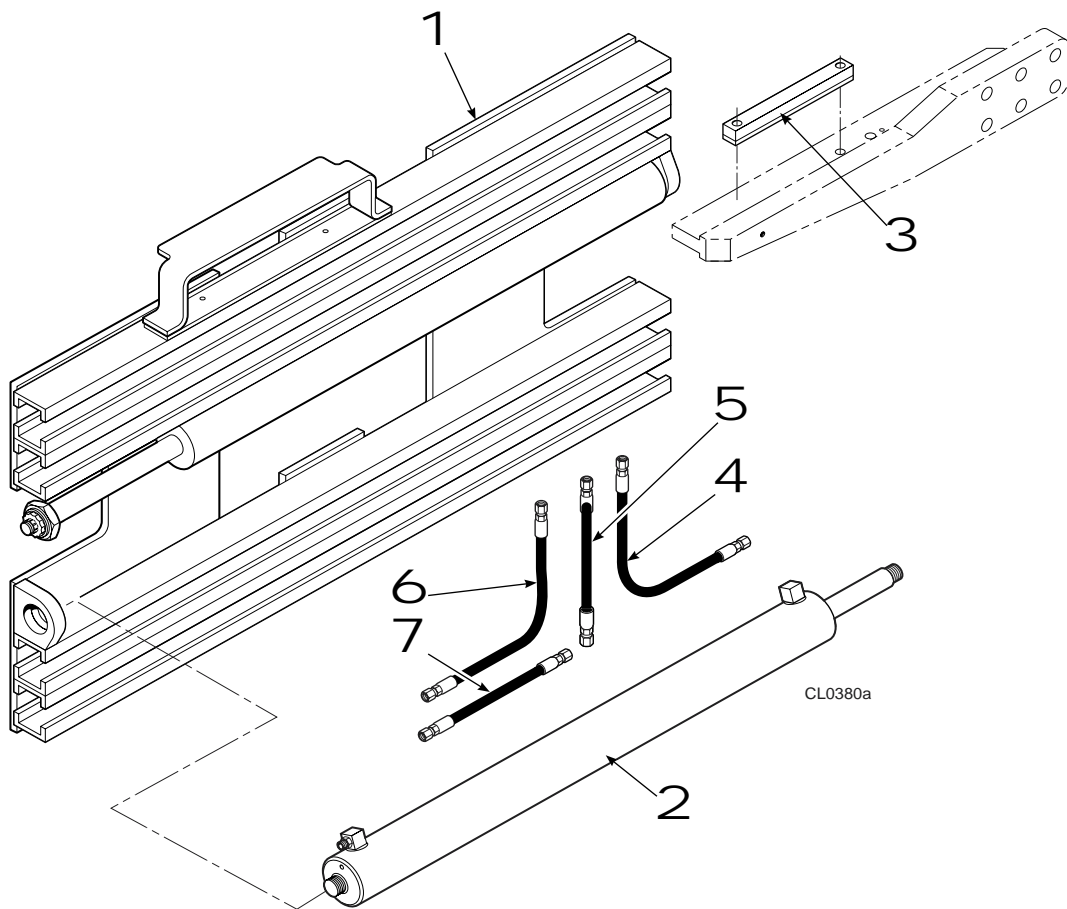
Safety decal Warnungsschild Auto-collant



Ref.	Qty.	Part No.	Description	Bezeichnung	Description
1	1	679150	No step decal	Warnungsschild	Auto-collant
2	4	665595	No hand hold decal	Warnungsschild	Auto-collant
3	1	679059	Quick change hook decal	Warnungsschild	Auto-collant

Base unit
Basis Unit
Groupe de base

L-1015565



Ref.	Qty.	Part No.	Description	Bezeichnung	Description
1	1	1015566	Frame	Rahmen	Bati
2	2	● 554947	Cylinder	Zylinder	Vérin
3	2	201842	Lube system	Schmiersystem	Système de lubrification
4	1	676790	Hose L=21.56"	Schlauch	Flexible
5	1	678507	Hose L=34"	Schlauch	Flexible
6	1	208727	Hose L=41.5"	Schlauch	Flexible
7	1	795073	Hose No. 8	Schlauch	Flexible

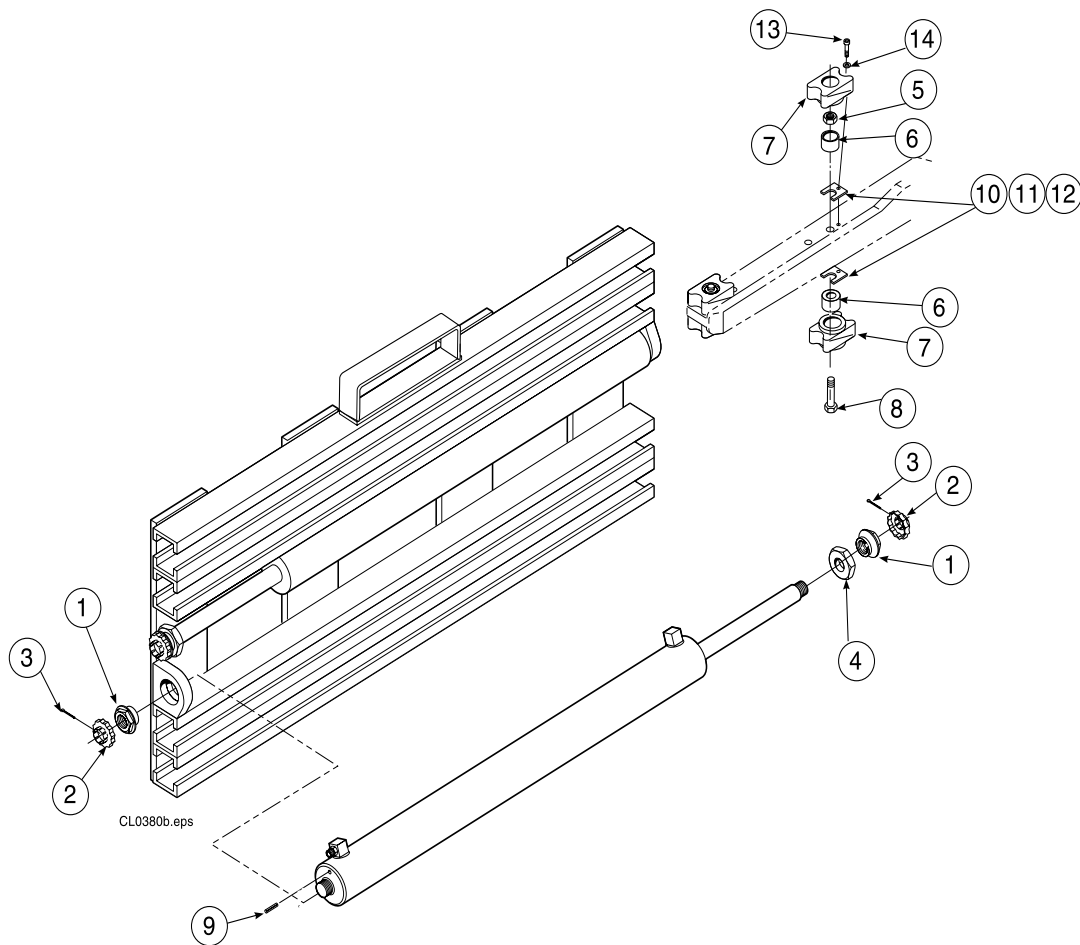
● See Section V for parts breakdown / Siehe Sektion V für Ersatzteilen / Voir Section V Pour les pièces de réchange.

Common Parts

Einfache Komponenten

Pièces Communes

LC-795075



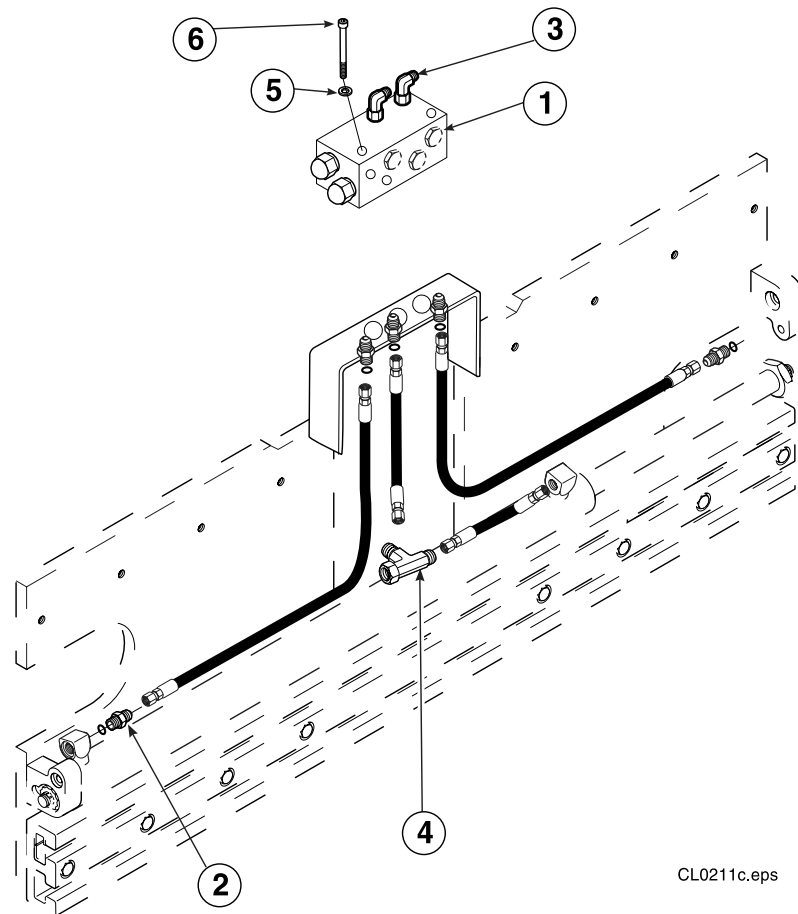
Ref.	Qty.	Part No.	Description	Bezeichnung	Description
1	4	677927	Nut	Mutter	Ecrou
2	4	677909	Locking cap	Sicherungskappe	Dispositif de verrouillage
3	4	6513	Cotter pin	Splint	Goupille
4	2	677910	Washer	Unterlegscheibe	Rondelle
5	8	211770	Nut	Mutter	Ecrou
6	16	689808	Stub shaft	Welle	Axe
7	16	200495	Bearing	Lager	Galet
8	8	607110	Shoulder screw	Schraube	Boulon
9	2	7961	Roll pin	Spannhülse	Goupille roulée
10	16	681529	Shim 0.6 mm	Unterlegblech 0.6 mm	Cale 0.6 mm
11	16	681530	Shim 1.5 mm	Unterlegblech 1.5 mm	Cale 1.5 mm
12	1	681531	Shim 2.5 mm	Unterlegblech 2.5 mm	Cale 2.5 mm
13	16	794854	Capscrew	Kopfschraube	Vis à tête
14	16	678993	Washer	Unterlegscheibe	Rondelle

Hydraulic Valve Group

Ventilgruppe

Groupe de Valve

LC-795072



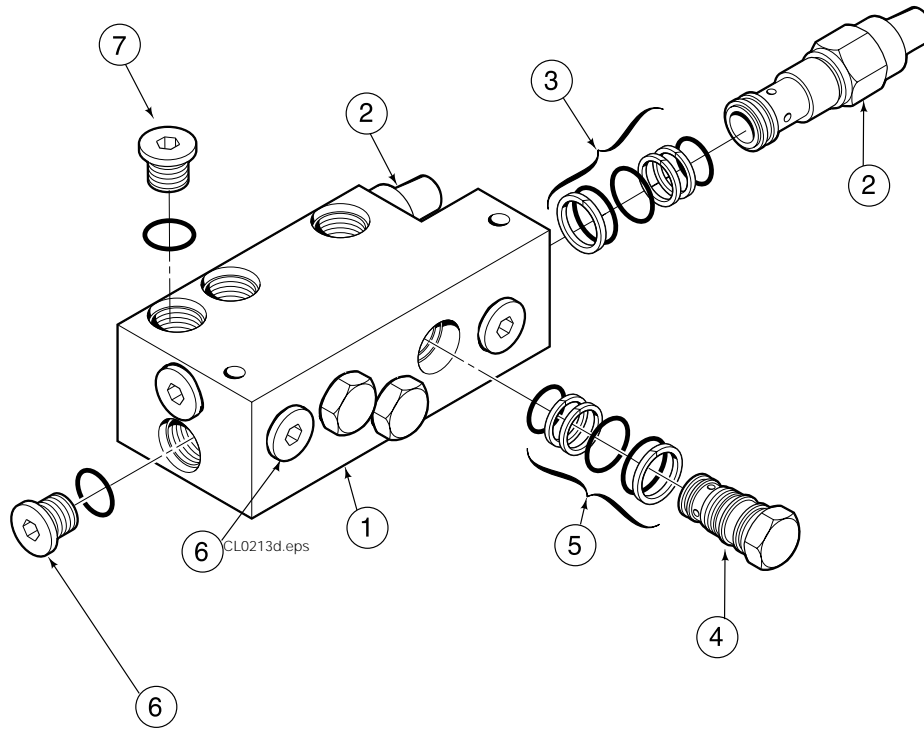
CL0211c.eps

Ref.	Qty.	Part No.	Description	Bezeichnung	Description
1	1	● 794780	Valve assy	Sperrventil	Valve de controle
2	7	601377	Fitting	Verschraubung	Raccord
3	2	601250	Fitting	Verschraubung	Raccord
4	1	611330	Fitting	Verschraubung	Raccord
5	2	768532	Capscrew	Kopfschraube	Vis à tête
6	2	787389	Washer	Unterlegscheibe	Rondelle

● See Section IVc for parts breakdown / Siehe Sektion IVc für Ersatzteilen / Voir Section IVc pour pièces de réchange

**Valve
Ventil
Valve**

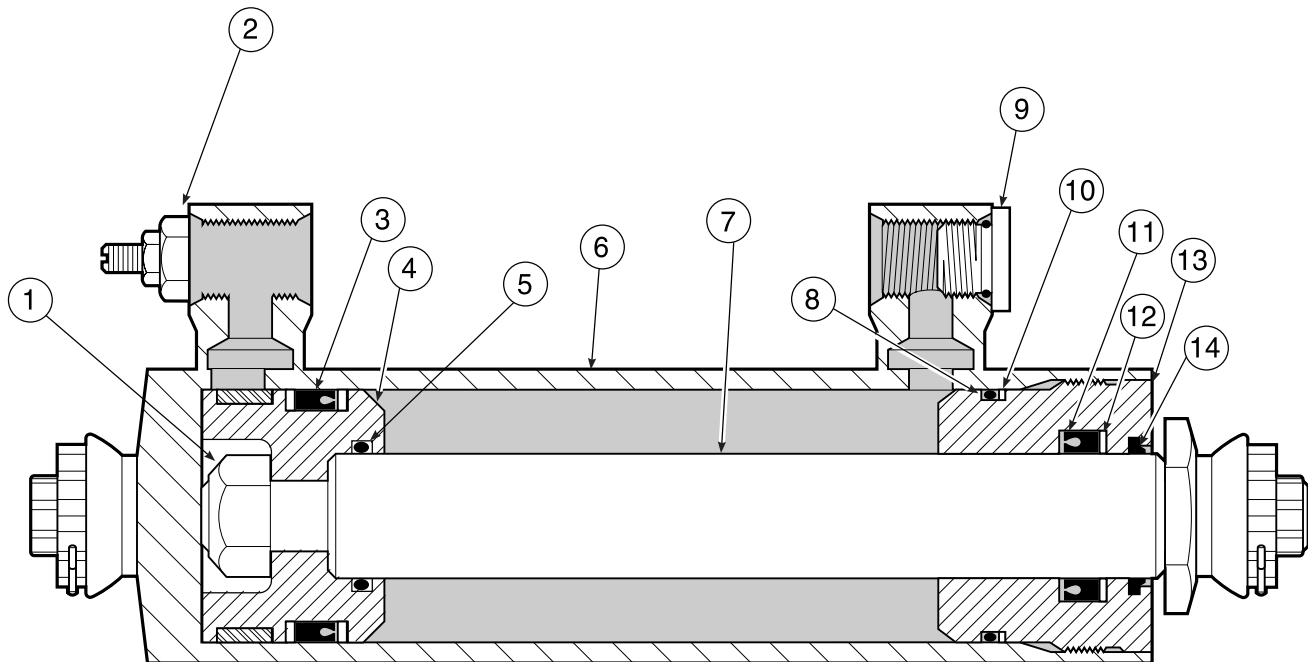
LC-794780



Ref.	Qty.	Part No.	Description	Bezeichnung	Description
1	1	794441	Valve Body	Ventilgehäuse	Corps de clapets
2	2	677400	Relief valve	Druckbegrenzungsventil	Valve de décharge
3	2	684625	Seal kit	Dichsatz	Kit de service
4	3	661816	Check valve	Rückschlagventil	Valve anti-retour
5	3	656223	Seal kit	Dichsatz	Kit de service
6	4	602580	O-ring plug	O-ring Stopfen	Bouchon à joint torique
7	1	626252	Plug	Stopfen	Bouchon

Cylinder Zylinder Verin

554947



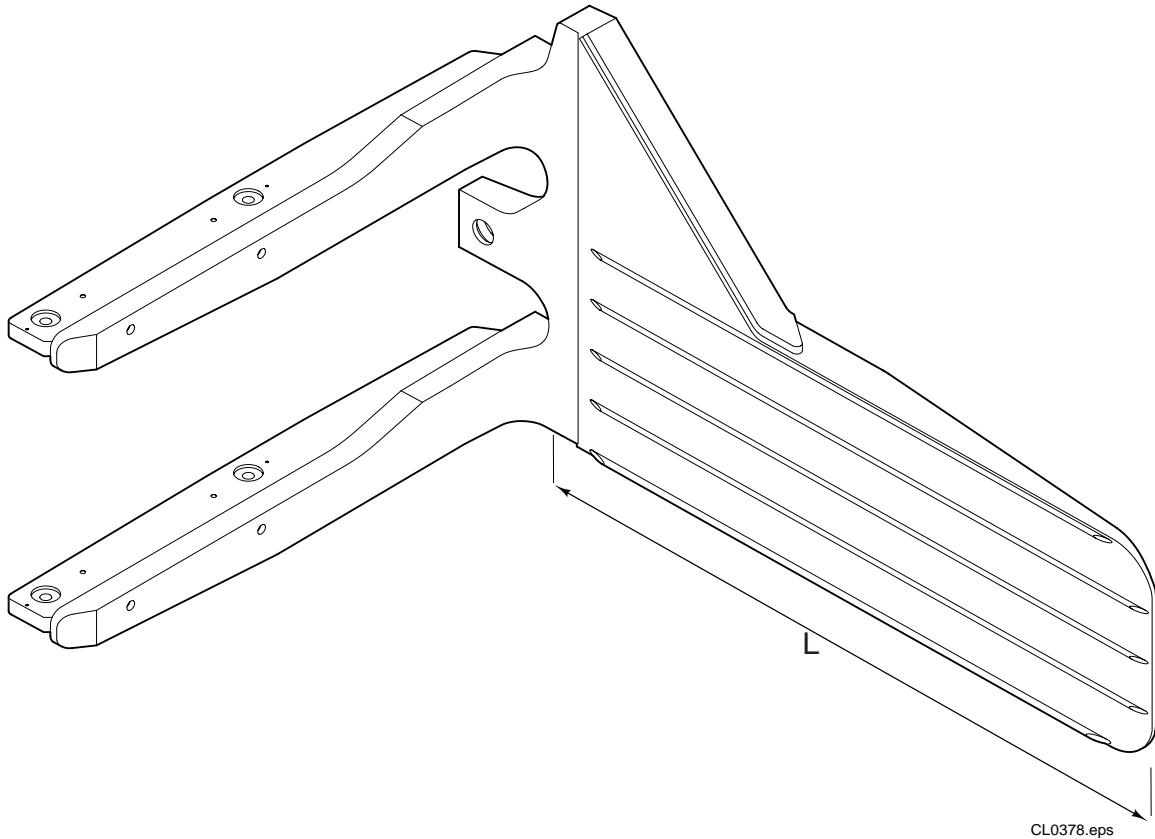
CL0121a.eps

Ref.	Qty.	Part No.	Description	Bezeichnung	Description
1	1	561049	Nut	Mutter	Ecrou
2	1	667609	Restrictor	Drossel	Limiteur de débit
3	1	● 557446	Seal	Dichtung	Joint
4	1	558404	Piston	Kolben	Piston
5	1	● 2785	O-ring	O-Ring	Joint torique
6	1	555027	Shell	Zylinderrohr	Corps de vérin
7	1	555026	Rod	Kolbenstange	Tige de vérin
8	1	● 2801	O-ring	O-Ring	Joint torique
9	1	602580	Plug	Stopfen	Bouchon
10	1	● 563977	Back-up ring	Stutzring	Joint de protection
11	1	● 554960	Seal	Dichtung	Joint
12	1	● 638248	Back-up ring	Stutzring	Joint de protection
13	1	555023	Retainer	Zylinderdeckel	Bague de retenue
14	1	● 636855	Wiper	Abstreifer	Racleur

● Included in servicekit 557012 / Enthalten im Satz 557012 / Inclus dans le kit de service 557012

**Arm Group
Armgruppe
Groupe Bras**

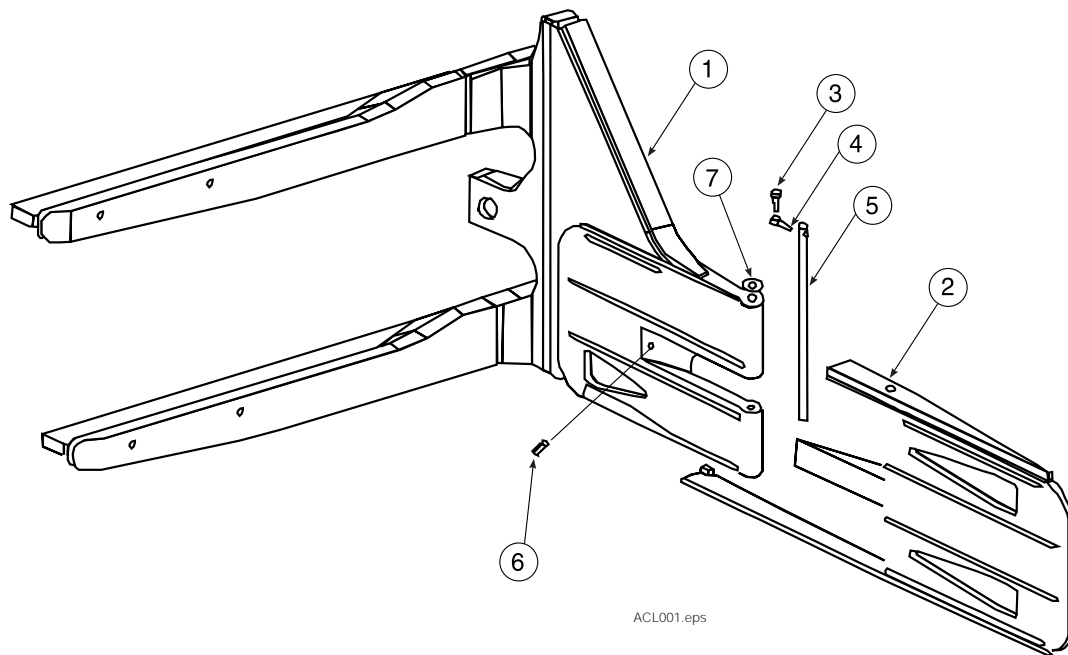
L-1014550



Part No.	Description	Bezeichnung	Description
27177-08	Arm RH	Arm R	Bras Dr.

Arm Group, Left Hand - Articulated
Armgruppe, Links
Groupe Bras, Gauche

L-1014551

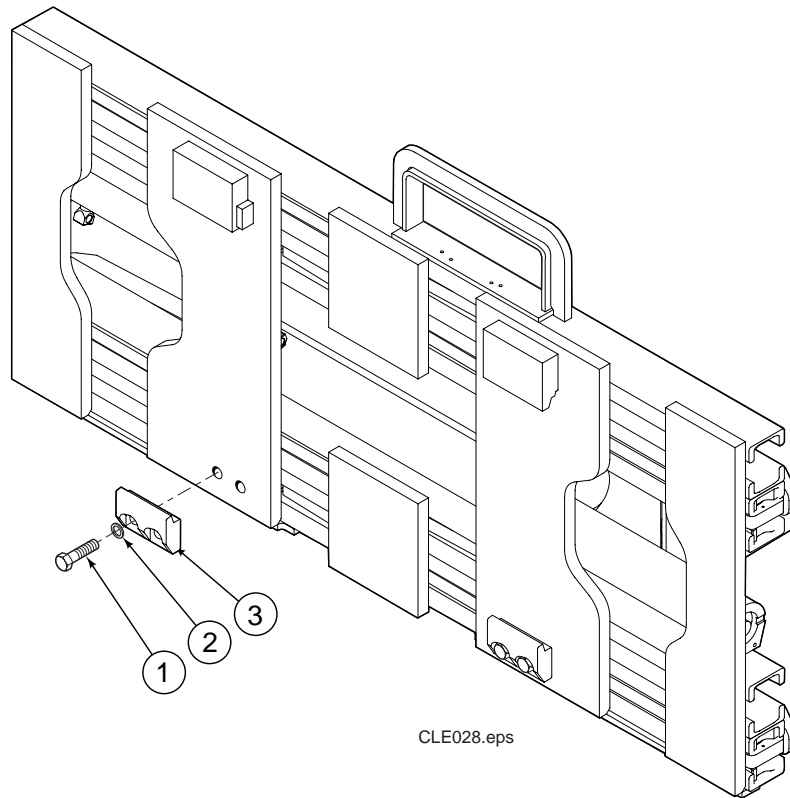


ACL001.eps

Ref.	Qty.	Part No.	Description	Bezeichnung	Description
1	1	27178-05	Arm	Arm	Bras
2	1	787088	Contact Plate	Kontaktplatte	Plateau
3	1	651090	Shoulder bolt	Kopfschraube	Vis à tête
4	1	651091	Eye bolt	Schraube	Boulon
5	1	787100	Shaft	Bolzen	Goupille
6	1	787087	Spring	Feder	Joint
7	1	787101	Shim	Unterlegblech	Cale

Mounting Group
Aufhängungsgruppe
Groupe d' Accrochage

LC-796296



Ref.	Qty.	Part No.	Description	Bezeichnung	Description
1	2	679832	Hook lower	Haken	Crochet
2	4	670692	Washer	Unterlegblech	Rondelle
3	4	682095	Capscrew	Kopfschraube	Vis à tête