



# Parts Manual

---

Model \_\_\_\_\_ Paper Roll Clamp

Serial Number \_\_\_\_\_ 72G-RCP-B015R1

---

**cascade**<sup>®</sup>  
corporation

**For Technical Assistance call:** 800-227-2233, Fax: 888-329-8207

**To Order Parts call:** 888-227-2233, Fax: 888-329-0234

**OR**

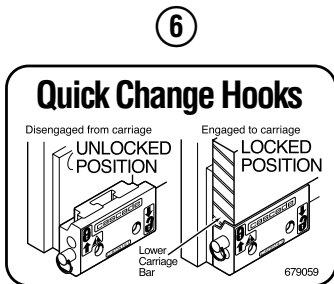
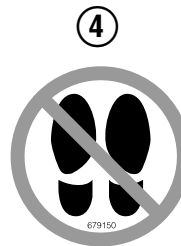
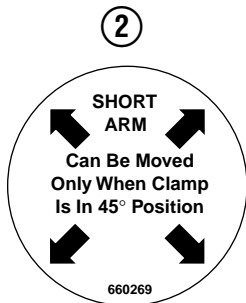
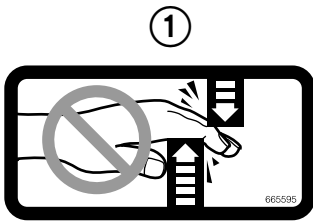
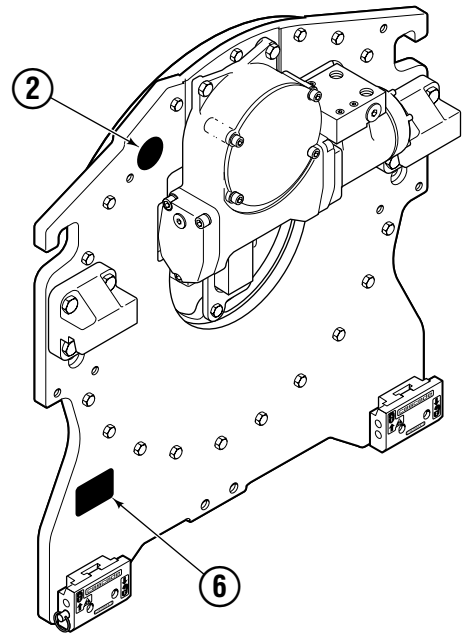
**Write:** Cascade Corporation, P.O. Box 20187, Portland, OR 97220

**Internet:** [www.cascorp.com](http://www.cascorp.com)

# Decals

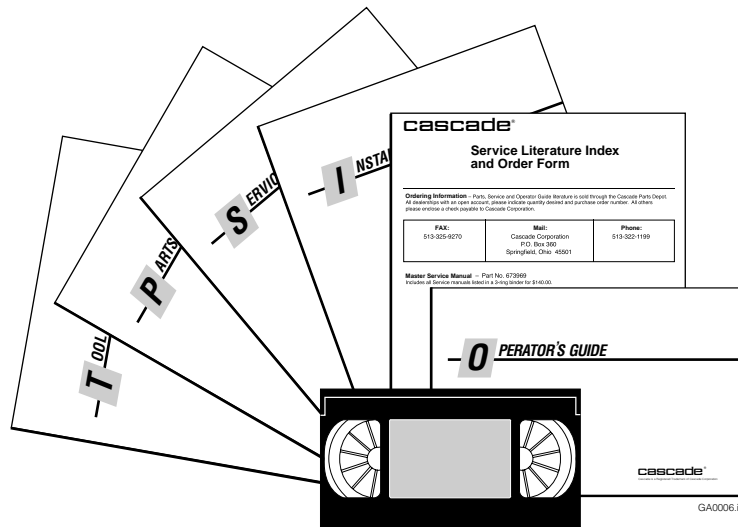


RC0242.ill



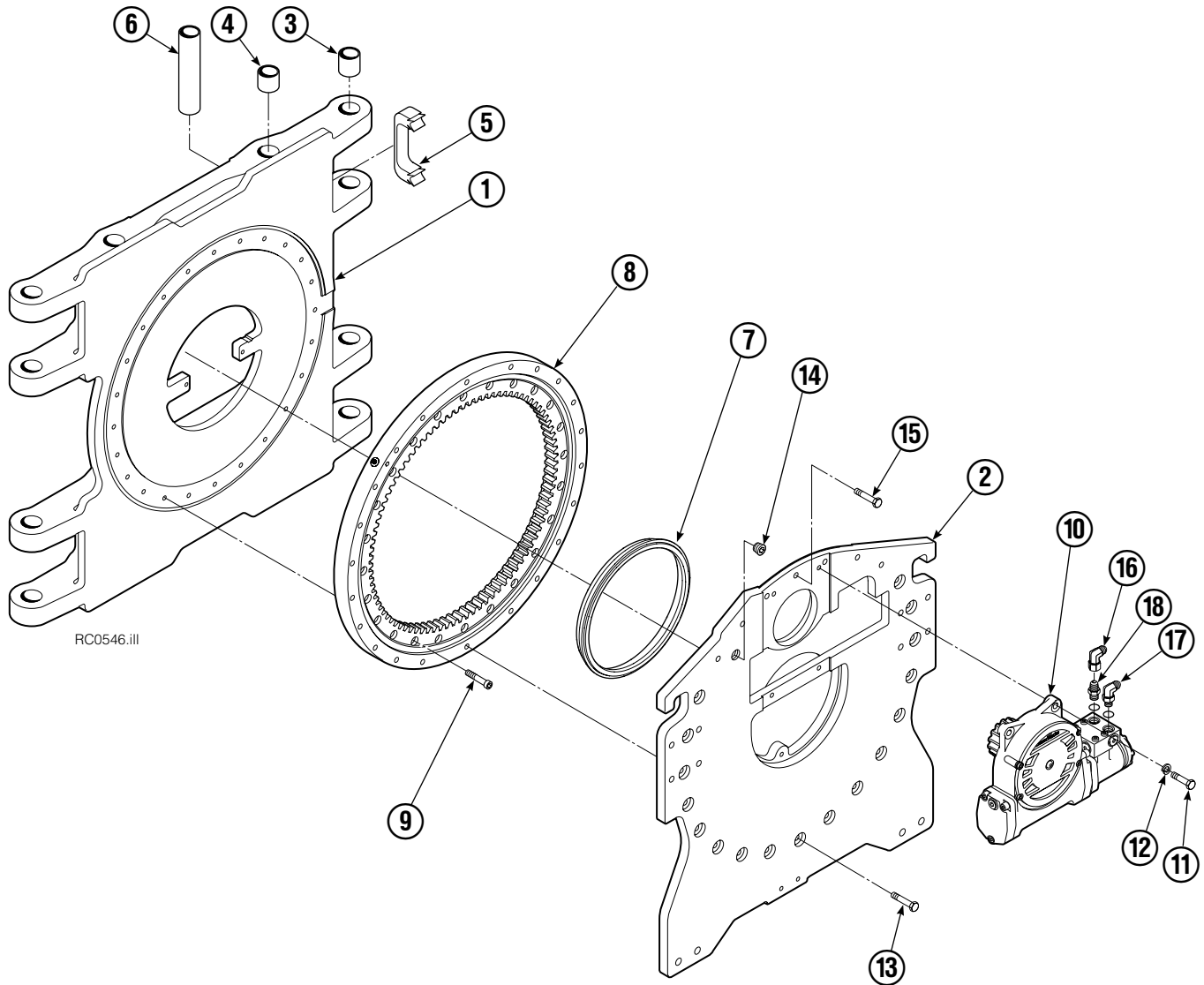
| 72G |     |          |                                   |
|-----|-----|----------|-----------------------------------|
| REF | QTY | PART NO. | DESCRIPTION                       |
| 1   | 6   | 665595   | No Hand Hold Decal                |
| 2   | 1   | 660269   | Short Arm Rotation Position Decal |
| 3   | 4   | 656038   | Caution Decal                     |
| 4   | 4   | 679150   | No Step Decal                     |
| 5   | 4   | 665677   | Trapped Pressure Decal            |
| 6   | 1   | 679059   | Quick-Change Hook Decal           |

# Publications



| 72G      |   |
|----------|---|
| PART NO. | DESCRIPTION                             |
|          | Parts Manual                            |
| 213744   | Service Manual                          |
| 210135   | Operator's Guide                        |
| 212420   | Installation Instructions - Fixed Frame |
| 677555   | Driver Training Video - VHS             |
| 678363   | Troubleshooting Video - VHS             |
| 680664   | Servicing Cascade Cylinders - VHS       |
| 679929   | Tool Catalog                            |
| 673964   | Literature Index Order Form             |

# Frame Group



## 72G

| REF | QTY | PART NO. | DESCRIPTION                    | REF | QTY | PART NO. | DESCRIPTION                              |
|-----|-----|----------|--------------------------------|-----|-----|----------|--|
|     |     | 6002566  | Frame Group – 72 in. ▲         | 12  | 4   | 683822   | Lockwasher, M12                          |
| 1   | 1   | 6002452  | Frame – 72 in. ▲               | 13  | 17  | 643538   | Capscrew, .5 x 1.5                       |
| 2   | 1   | 399046   | Baseplate                      | 14  | 1   | 6605     | Fitting, 3/4 in.                         |
| 3   | 8   | 211718   | Bearing                        | 15  | 7   | 643539   | Capscrew, .5 x 1.75                      |
| 4   | 8   | 211717   | Bearing                        | 16  | 1   | 605761   | Fitting, 8-8 SAE                         |
| 5   | 4   | 211712   | Hose Guard                     | 17  | 1   | 601250   | Fitting, 8-8 SAE                         |
| 6   | 4   | 209987   | Spacer                         | 18  | 1   | 601377   | Fitting, 8-8 SAE                         |
| 7   | 1   | 209944   | Seal                           |     |     | —        | Bearing Service Kit (items 3, 4, 6)      |
| 8   | 1   | 672830   | Bearing Assembly               |     |     | —        | Pin Service Kit (items 4, 6)             |
| 9   | 24  | 4507     | Capscrew, .5 x 1.75            |     |     | —        | Pin Service Kit (items 3)                |
| 10  | 1   | 795492   | Drive Group – 2.8 c.i. Motor ● |     |     | 685842   | Bearing Service Kit (items 8,9,12,13,15) |
| 11  | 4   | 211689   | Capscrew, M12 x 30             |     |     | 669344   | Stop Block Kit                           |

▲ Maximum roll handling capacity.

● See Drive Group page for parts breakdown.

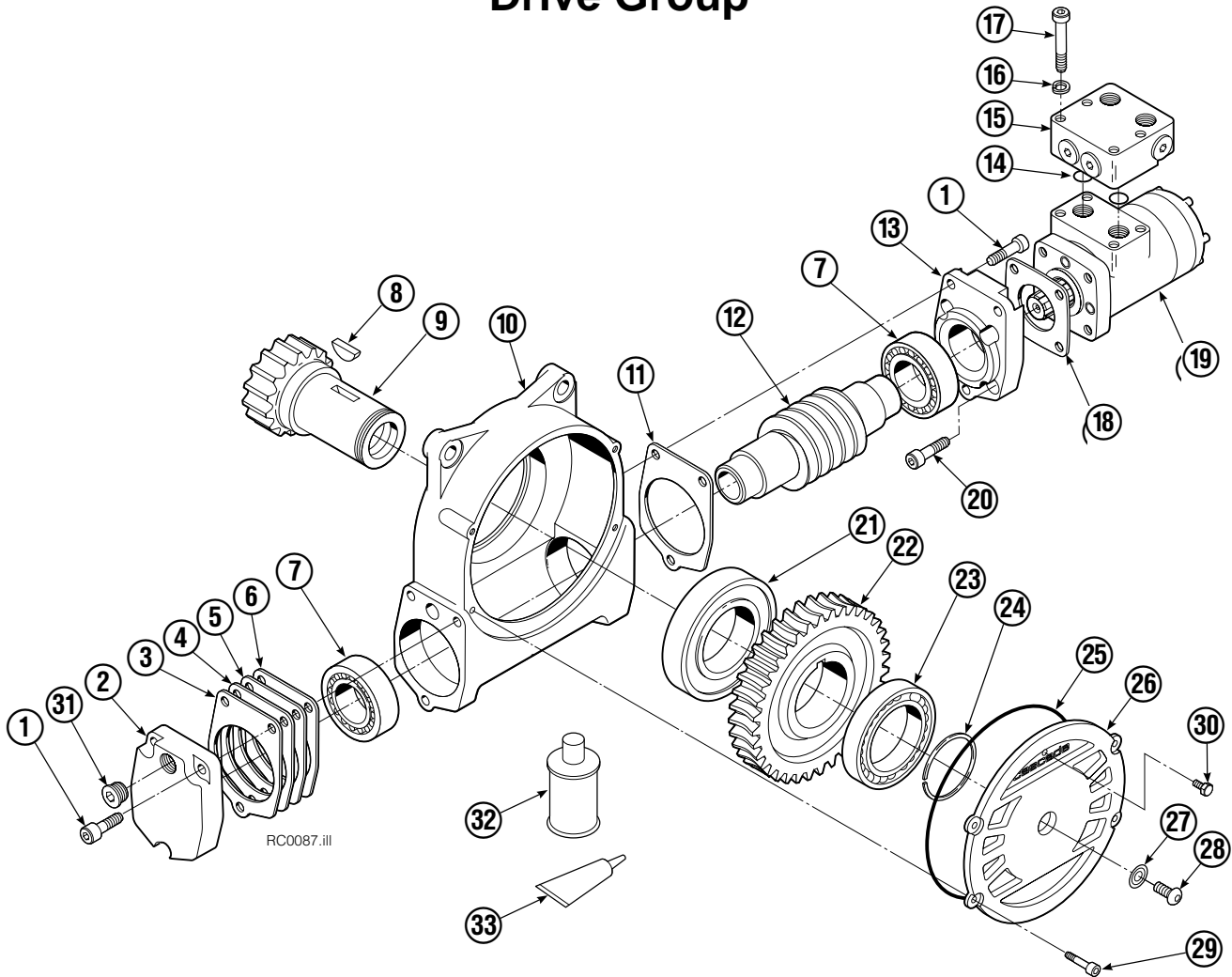
Reference: S-4650, S-4733.

Reference: Common Parts Groups 211975, 399052.

Baseplate Group 399284.

Fitting Group 212367.

# Drive Group



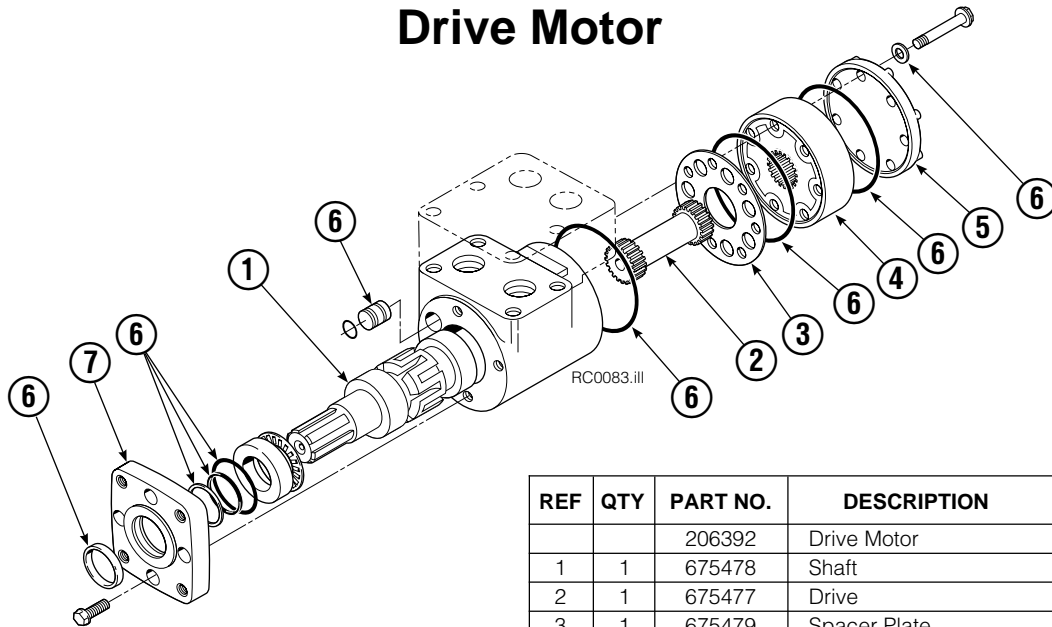
| REF | QTY | PART NO. | DESCRIPTION                     | REF | QTY | PART NO. | DESCRIPTION                         |
|-----|-----|----------|---------------------------------|-----|-----|----------|-------------------------------------|
|     |     | 795492   | Drive Group with 2.8 c.i. Motor | 19  | 1   | 206392   | Drive Motor – 2.8 c.i. ■            |
| 1   | 6   | 769570   | Capscrew, M12 x 25              | 20  | 4   | 4468     | Capscrew, 3/8 NC x .75 GR8          |
| 2   | 1   | 676855   | Cover                           | 21  | 1   | 670580   | Bearing                             |
| 3   | ●   | 674513   | Shim – .005" (blue)             | 22  | 1   | 675609   | Worm Gear                           |
| 4   | ●   | 670574   | Shim – .010" (brown)            | 23  | 1   | 670581   | Bearing                             |
| 5   | ●   | 671757   | Shim – .015" (pink)             | 24  | 1   | 7214     | Snap Ring                           |
| 6   | ●   | 671758   | Shim – .020" (yellow)           | 25  | 1   | 643423   | O-Ring                              |
| 7   | 2   | 670579   | Bearing                         | 26  | 1   | 775552   | Cover                               |
| 8   | 1   | 670582   | Key                             | 27  | 1   | 783609   | Seal                                |
| 9   | 1   | 670556   | Pinion                          | 28  | 1   | 783608   | Capscrew, M10 x 16                  |
| 10  | 1   | 775551   | Housing                         | 29  | 4   | 200882   | Capscrew, M8 x 20                   |
| 11  | 1   | 686465   | Gasket                          | 30  | 1   | 644010   | Relief Fitting                      |
| 12  | 1   | 675608   | Worm                            | 31  | 1   | 604510   | Fitting, 6                          |
| 13  | 1   | 775553   | Adapter                         | 32  | 1   | 656300   | Gear Box Lube – 48 oz.              |
| 14  | 2   | 2705     | O-Ring                          | 33  | 1   | 668184   | Sealant                             |
| 15  | 1   | 670549   | Check Valve ▲                   |     |     | 670578   | Shim Service Kit (items 3-6,25,33)  |
| 16  | 4   | 6444     | Lockwasher                      |     |     | 675637   | Bearing Service Kit (items 21 & 33) |
| 17  | 4   | 607059   | Capscrew, 5/16 NC x 1.75 GR8    |     |     | 675638   | Bearing Service Kit (items 3-7,25)  |
| 18  | 1   | 670575   | Gasket                          |     |     | 685227   | Motor Kit-4.5 (items 4,14,18)       |

● Quantity as required.

■ See Drive Motor page for parts breakdown.

▲ See Check Valve page for parts breakdown.

## Drive Motor



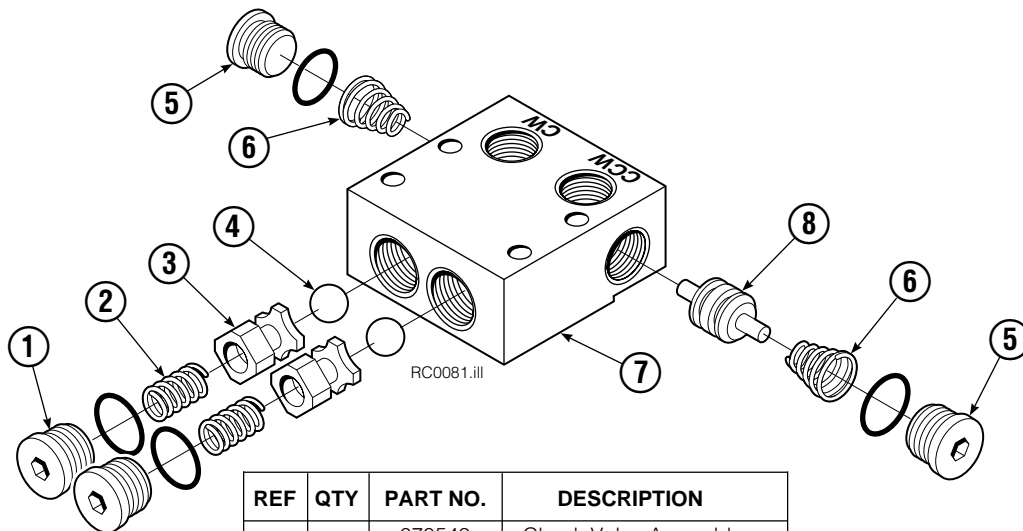
| REF | QTY | PART NO. | DESCRIPTION                  |
|-----|-----|----------|------------------------------|
|     |     | 206392   | Drive Motor                  |
| 1   | 1   | 675478   | Shaft                        |
| 2   | 1   | 675477   | Drive                        |
| 3   | 1   | 675479   | Spacer Plate                 |
| 4   | 1   | 675480   | ■ Gerotor Set (101-1768-007) |
| 4   | 1   | 685075   | ■ Gerotor Set (101-1768-009) |
| 5   | 1   | 675482   | End Cap                      |
| 6   | 1   | 206405   | ● Service Kit                |
| 7   | 1   | 685089   | ■ Flange (101-1768-007)      |
| 7   | 1   | 685090   | ■ Flange (101-1768-009)      |

Cascade provides service replacement parts for the listed parts only. Due to cost, if others parts need replacement, the complete drive motor should be replaced.

■ See Nameplate under valve for correct part number of Gerotor Set and Flange.

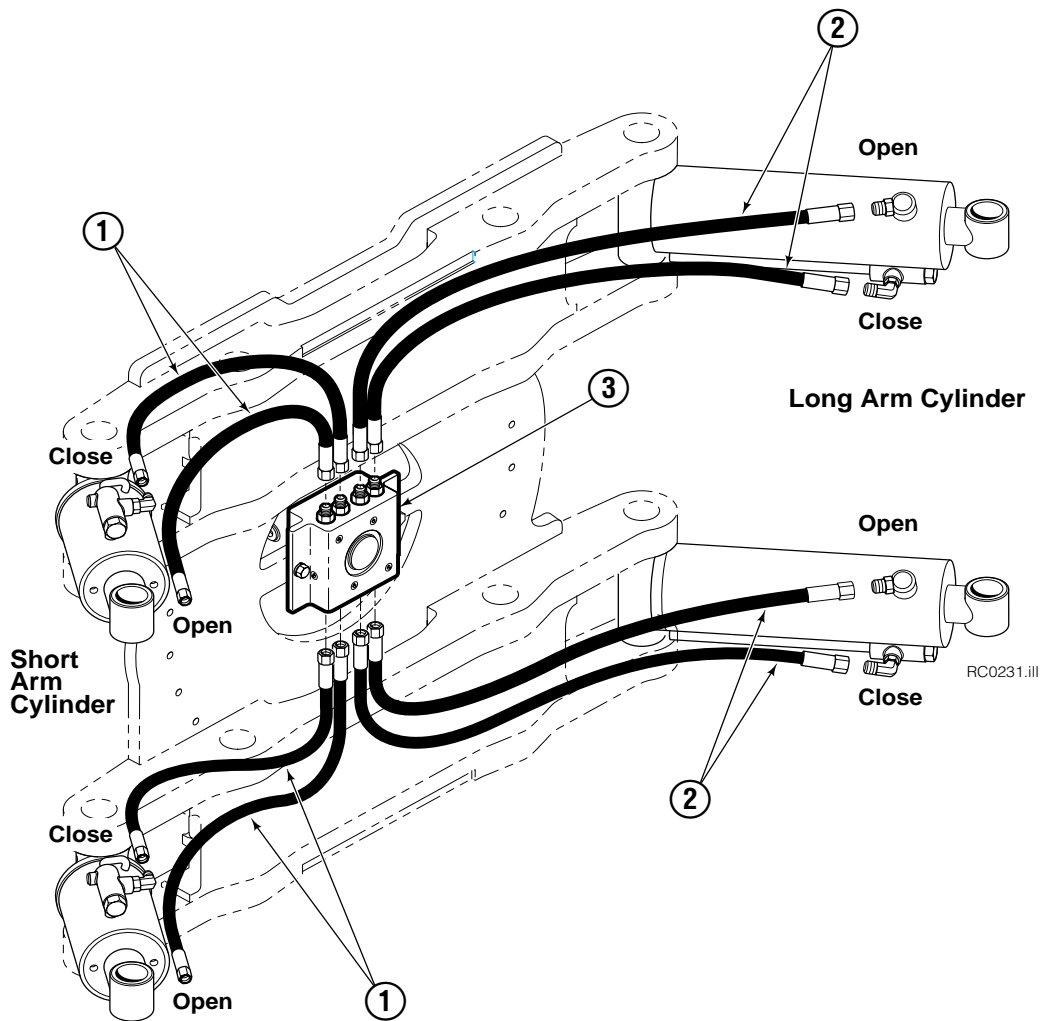
● Compatible with water glycol based hydraulic fluids.

## Check Valve



| REF | QTY | PART NO. | DESCRIPTION          |
|-----|-----|----------|----------------------|
|     |     | 670549   | Check Valve Assembly |
| 1   | 2   | 609453   | Fitting, 10          |
| 2   | 2   | 670552   | Spring               |
| 3   | 2   | 670551   | Guide                |
| 4   | 2   | 7020     | Ball                 |
| 5   | 2   | 602580   | Fitting, 8           |
| 6   | 2   | 673989   | Spring               |
| 7   | 1   | 670550   | Body                 |
| 8   | 1   | 670553   | Spool                |

# Hosing Group Positioned Short Arm



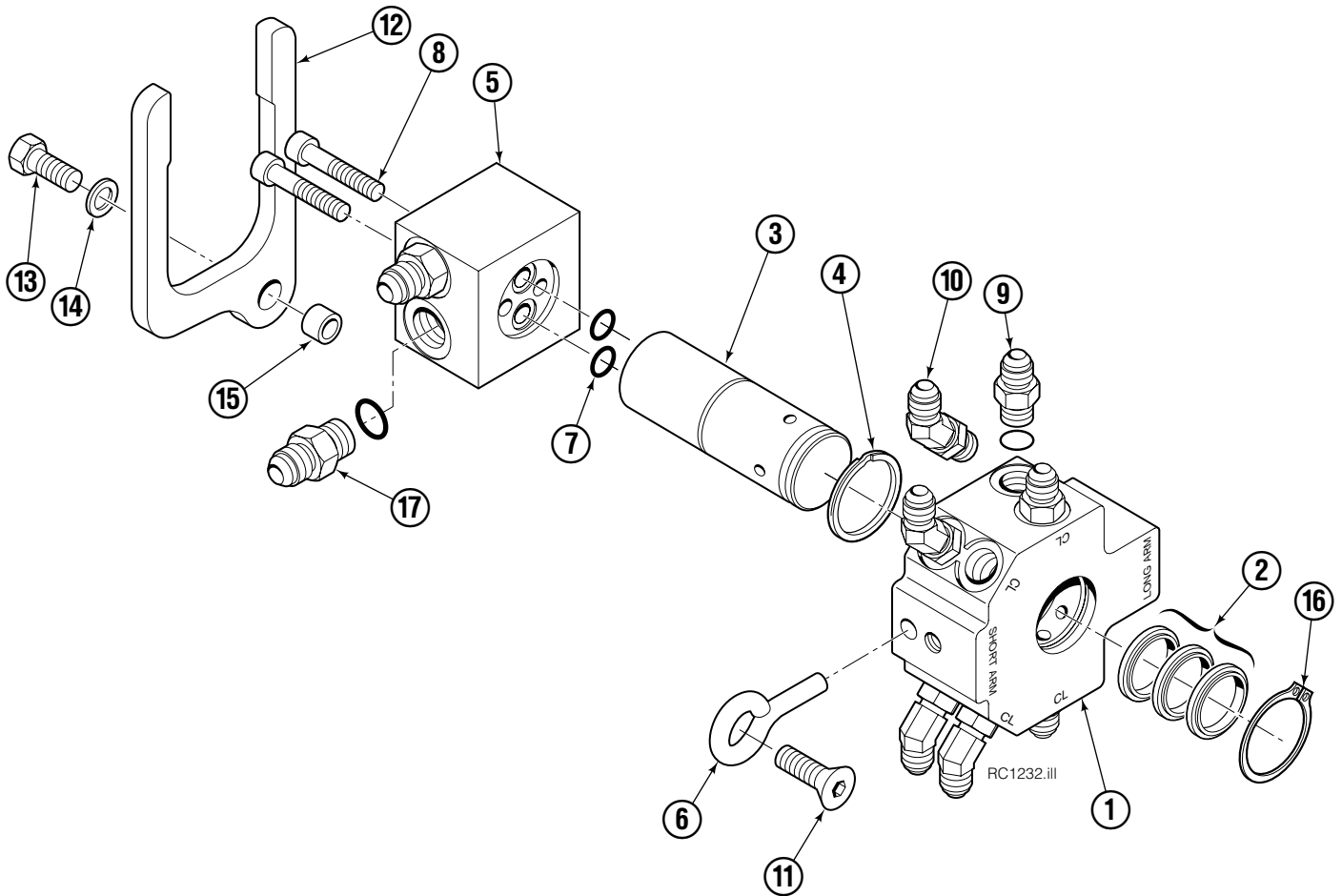
| 72G |     |          |                      |
|-----|-----|----------|----------------------|
| REF | QTY | 72 in. ■ | DESCRIPTION          |
|     |     | PART NO. |                      |
|     |     | 6002567  | Hose Group           |
| 1   | 4   | 210024   | Hose, 37.0"          |
| 2   | 4   | 210023   | Hose, 27.0"          |
| 3   | 1   | ▲        | Revolving Connection |

■ Maximum roll handling capacity.

▲ See Revolving Connection page for part number.

Reference: S-4192, S-4193.

# Revolving Connection



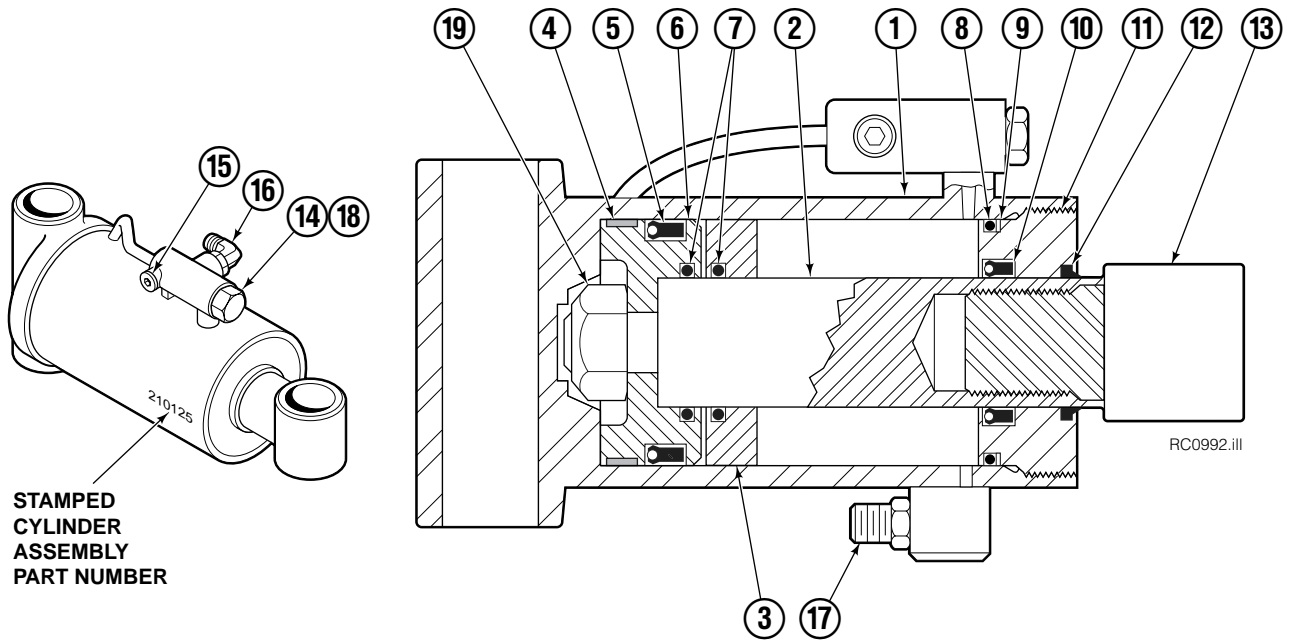
| REF | QTY | PART NO. | DESCRIPTION          |
|-----|-----|----------|----------------------|
|     |     | 222393   | Revolving Connection |
| 1   | 1   | 222192   | Valve Body           |
| 2   | 3   | 214649   | ◆ Seal               |
| 3   | 1   | 222389   | Shaft                |
| 4   | 1   | 7341     | ◆ Retaining Ring     |
| 5   | 1   | 222190   | End Block            |
| 6   | 2   | 227962   | Eye Pin              |
| 7   | 2   | 564448   | ◆ O-Ring             |
| 8   | 2   | 766123   | ◆ Capscrew, M8 x 50  |
| 9   | 4   | 604511   | Fitting, 6-6         |
| 10  | 4   | 611302   | Fitting, 6-6         |
| 11  | 2   | 768697   | Capscrew, M10 x 25   |
| 12  | 1   | 211909   | End Block Retainer   |
| 13  | 1   | 215480   | Capscrew, M10 x 25   |
| 14  | 1   | 209021   | Washer, M10          |
| 15  | 1   | 212725   | Spacer               |
| 16  | 1   | 3138     | ◆ Retaining Ring     |
| 17  | 2   | 601377   | ● Fitting, 8-8       |

◆ Included in Service Kit 222223.

● Included in Fitting Group 212367.

Reference: SK-6113.

# Cylinders



| 72G |     |           |                   |
|-----|-----|-----------|-------------------|
| REF | QTY | Short Arm |                   |
|     |     | 60 in. ■  |                   |
| REF | QTY | PART NO.  | DESCRIPTION       |
|     |     | 6004382   | Cylinder Assembly |
| 1   | 1   | 4195-205  | Shell             |
| 2   | 1   | 4130-321  | Rod               |
| 3   | 1   | --        | Spacer            |

■ Maximum roll handling capacity.

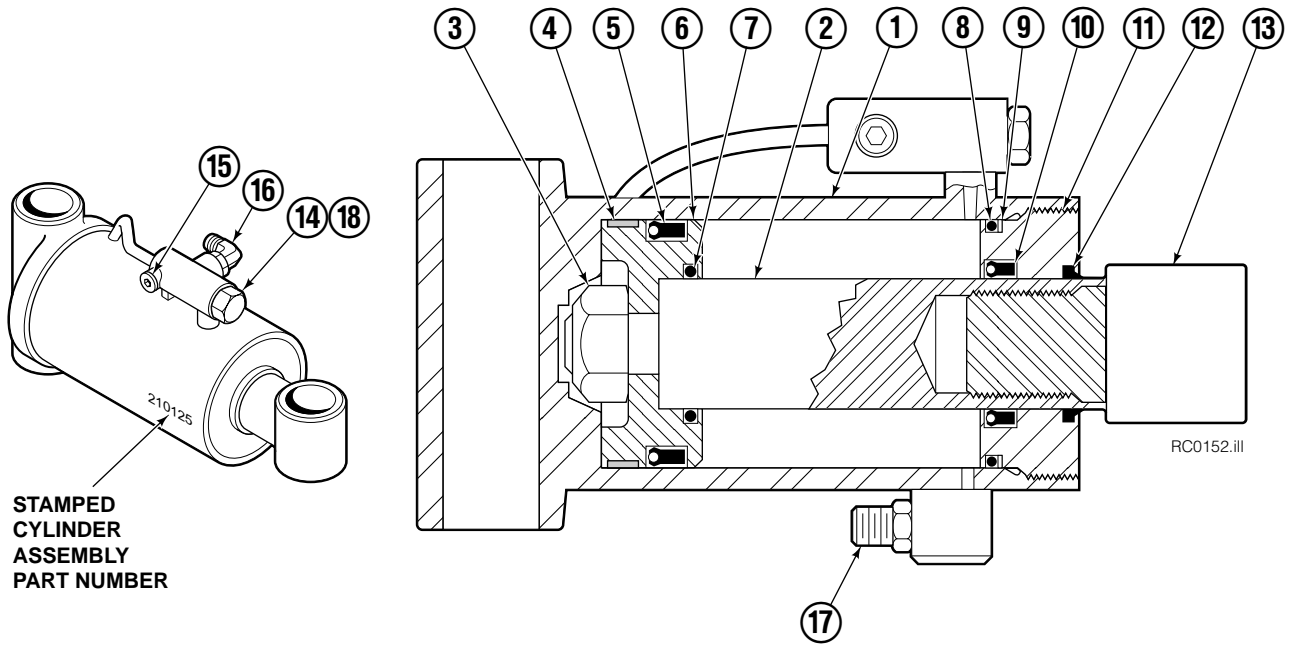
## Common Parts

| REF | QTY | PART NO. | DESCRIPTION    | REF | QTY | PART NO. | DESCRIPTION             |
|-----|-----|----------|----------------|-----|-----|----------|-------------------------|
| 4   | 1   | 211295   | ▲ Wear Ring    | 13  | 1   | 209764   | Rod Eye                 |
| 5   | 1   | 564902   | ▲ Seal         | 14  | 1   | 659058   | Check Valve             |
| 6   | 1   | 211292   | Piston         | 15  | 1   | 609234   | Fitting, 4              |
| 7   | 2   | 210087   | ▲ O-Ring       | 16  | 1   | 601676   | Fitting, 6-6            |
| 8   | 1   | 564445   | ▲ O-Ring       | 17  | 1   | 604511   | Fitting, 6-6            |
| 9   | 1   | 564446   | ▲ Back-Up Ring | 18  | 1   | 667516   | Check Valve Service Kit |
| 10  | 1   | 564442   | ▲ Seal         | 19  | 1   | 560997   | Nut                     |
| 11  | 1   | 209763   | Retainer       |     |     | 210133   | Cylinder Service Kit    |
| 12  | 1   | 564443   | ▲ Wiper        |     |     |          |                         |

▲ Included In Service Kit 210133.

Reference: S-4454, S-4460.

# Long Arm Cylinder



| 66G |     |          |          |          |               |          |                   |
|-----|-----|----------|----------|----------|---------------|----------|-------------------|
| REF | QTY | 51 in. ■ | 55 in. ■ | 60 in. ■ | 63 in. ■      | 72 in. ■ | DESCRIPTION       |
|     |     | PART NO. | PART NO. | PART NO. | PART NO.      | PART NO. |                   |
|     |     | 213638   | 213634   | 213640   | <b>213636</b> | 213642   | Cylinder Assembly |
| 1   | 1   | 4195-358 | 4195-376 | 4195-395 | 4195-422      | 4195-410 | Shell             |
| 2   | 1   | 4130-348 | 4130-379 | 4130-390 | 4130-420      | 4130-500 | Rod               |

■ Maximum roll handling capacity.

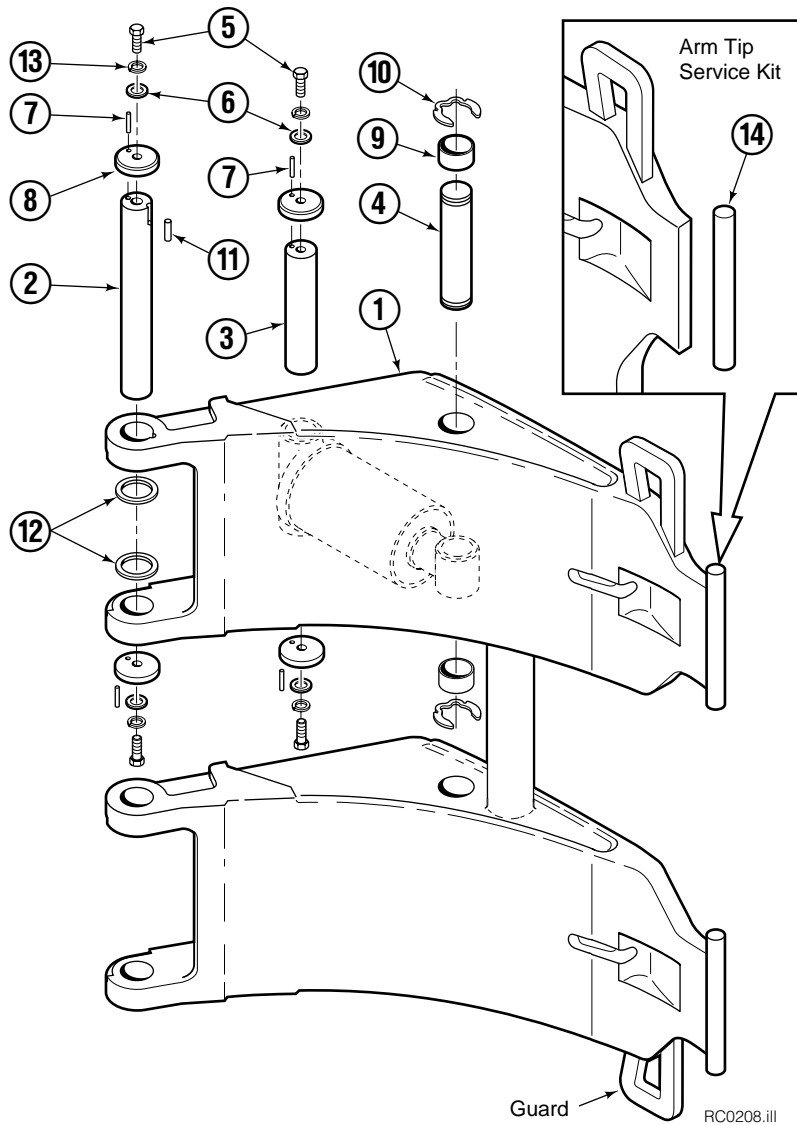
## Common Parts

| REF | QTY | PART NO. | DESCRIPTION    | REF | QTY | PART NO. | DESCRIPTION             |
|-----|-----|----------|----------------|-----|-----|----------|-------------------------|
| 3   | 1   | 560997   | Nut            | 12  | 1   | 564443   | ▲ Wiper                 |
| 4   | 1   | 211295   | ▲ Wear Ring    | 13  | 1   | 209764   | Rod End                 |
| 5   | 1   | 564902   | ▲ Seal         | 14  | 1   | 659058   | Check Valve             |
| 6   | 1   | 211292   | Piston         | 15  | 1   | 609234   | Fitting, 4              |
| 7   | 1   | 210087   | ▲ O-Ring       | 16  | 1   | 601676   | Fitting, 6-6            |
| 8   | 1   | 564445   | ▲ O-Ring       | 17  | 1   | 604511   | Fitting, 6-6            |
| 9   | 1   | 564446   | ▲ Back-Up Ring | 18  | 1   | 667516   | Check Valve Service Kit |
| 10  | 1   | 564442   | ▲ Seal         |     |     | 210133   | Cylinder Service Kit    |
| 11  | 1   | 209763   | Retainer       |     |     |          |                         |

▲ Included in Service Kit 210133.

Reference: S-4195, LS-4454, S-4460.

# Short Arm



| 72G |     |          |             |
|-----|-----|----------|-------------|
| REF | QTY | 72 in. ■ | DESCRIPTION |
|     |     | PART NO. |             |
|     |     | 6002438  | Arm Group   |
| 1   | 1   | 6002422  | Short Arm   |

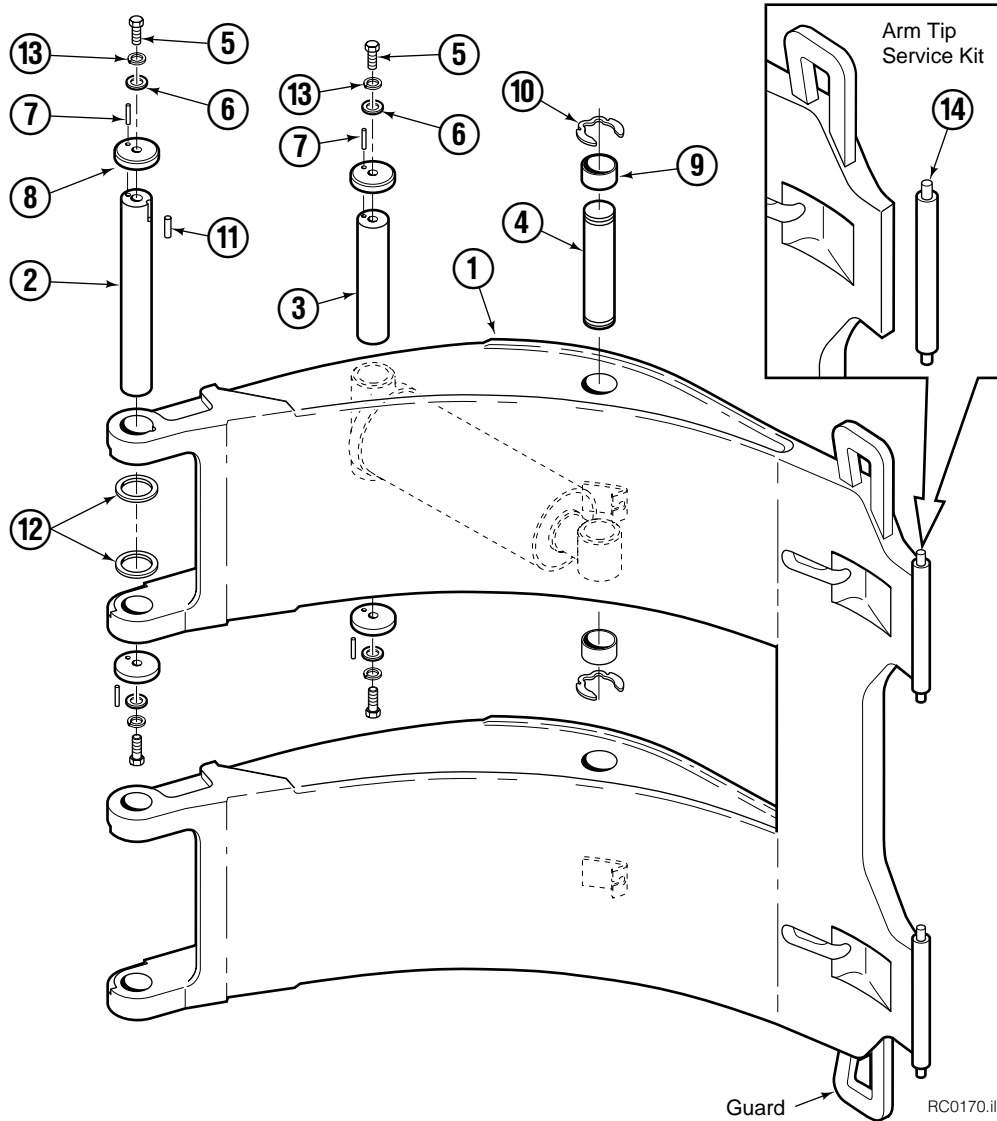
■ Maximum roll handling capacity.

## Common Parts

| REF | QTY | PART NO. | DESCRIPTION            | REF | QTY | PART NO. | DESCRIPTION                            |
|-----|-----|----------|------------------------|-----|-----|----------|--|
|     |     | 212933   | Common Parts Group     | 11  | 2   | 212382   | Dowel Pin, 8x16 mm                     |
| 2   | 2   | 209982   | Arm Pivot Pin          | 12  | 16  | 209941   | Shim - .062 in.                        |
| 3   | 2   | 209983   | Cylinder Pivot Pin     | 13  | 8   | 681238   | Lockwasher                             |
| 4   | 2   | 4175-150 | Cylinder Rod Pivot Pin | 14  | 1   | 212902   | Arm Tip Service Kit                    |
| 5   | 8   | 215480   | Capscrew, M10x1.5x25   |     |     | 212905   | Bearing Service Kit (items 9, 10)      |
| 6   | 8   | 209021   | Washer, M10            |     |     | 212906   | Pin Service Kit (items 2-8, 10-13)     |
| 7   | 8   | 769009   | Roll Pin               |     |     | 212907   | Pin Service Kit (items 2, 5-8, 11, 13) |
| 8   | 8   | 209985   | Cap                    |     |     | 212908   | Pin Service Kit (items 3, 5-8)         |
| 9   | 4   | 210080   | Bearing                |     |     | 212909   | Pin Service Kit (items 4, 9, 10)       |
| 10  | 4   | 209986   | Retaining Ring         |     |     |          |  |

Reference: S-4172, S-4173.

# Long Arm



| 72G |     |                      |             |
|-----|-----|----------------------|-------------|
| REF | QTY | 72 in. ■<br>PART NO. | DESCRIPTION |
|     |     | 6002439              | Arm Group   |
| 1   | 1   | 6002423              | Long Arm    |

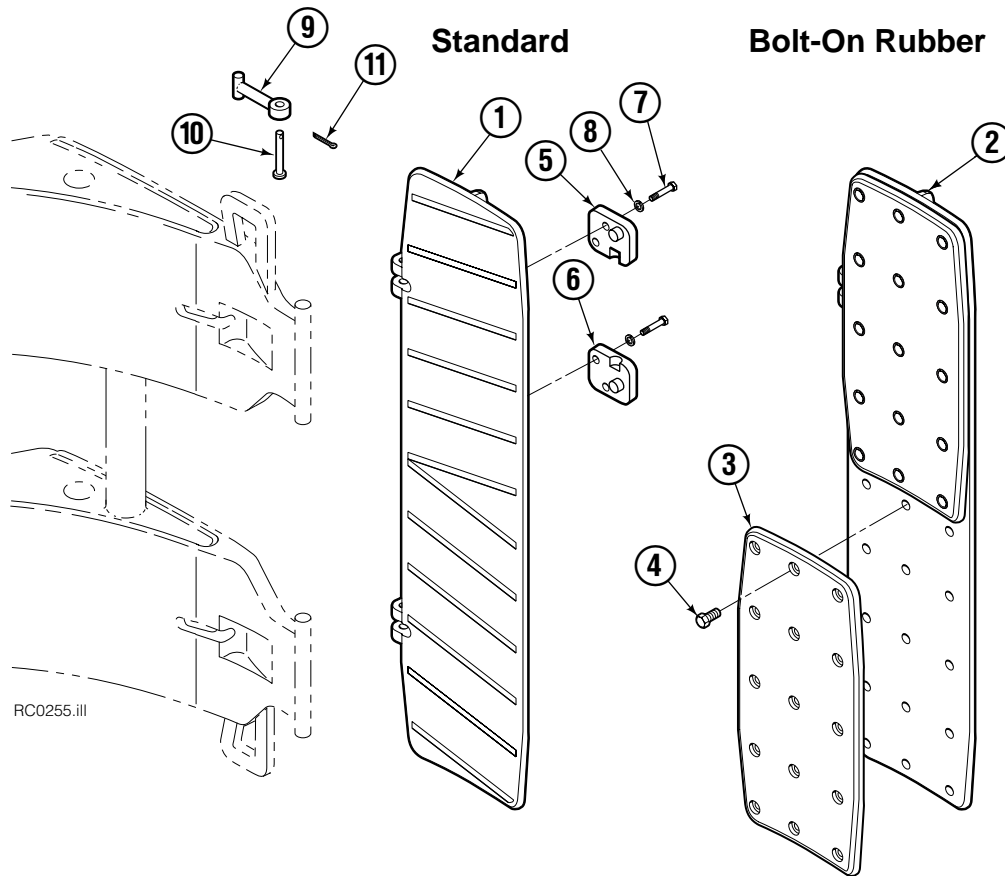
■ Maximum roll handling capacity.

## Common Parts

| REF | QTY | PART NO. | DESCRIPTION            | REF | QTY | PART NO. | DESCRIPTION                            |
|-----|-----|----------|------------------------|-----|-----|----------|--|
|     |     | 212933   | Common Parts Group     | 11  | 2   | 212382   | Dowel Pin, 8x16 mm                     |
| 2   | 2   | 209982   | Arm Pivot Pin          | 12  | 16  | 209941   | Shim - .062 in.                        |
| 3   | 2   | 209983   | Cylinder Pivot Pin     | 13  | 8   | 681238   | Lockwasher                             |
| 4   | 2   | 4175-150 | Cylinder Rod Pivot Pin | 14  | 1   | 212902   | Arm Tip Service Kit                    |
| 5   | 8   | 215480   | Capscrew, M10x1.5x25   |     |     | 212905   | Bearing Service Kit (items 9, 10)      |
| 6   | 8   | 209021   | Washer, M10            |     |     | 212906   | Pin Service Kit (items 2-8, 10-13)     |
| 7   | 8   | 769009   | Roll Pin               |     |     | 212907   | Pin Service Kit (items 2, 5-8, 11, 13) |
| 8   | 8   | 209985   | Cap                    |     |     | 212908   | Pin Service Kit (items 3, 5-8)         |
| 9   | 4   | 210080   | Bearing                |     |     | 212909   | Pin Service Kit (items 4, 9, 10)       |
| 10  | 4   | 209986   | Retaining Ring         |     |     |          |  |

Reference: S-4170, S-4173, S-10474.

# Pad Groups – Short Arm



| 72G |     |          |                          |
|-----|-----|----------|--------------------------|
| REF | QTY | 72 in. ■ | DESCRIPTION              |
|     |     | PART NO. |                          |
|     |     | 209888   | Standard Pad Group       |
|     |     | —        | Bolt-On Rubber Pad Group |
| 1   | 1   | 209898   | Pad, Standard            |
| 2   | 1   | —        | Pad, Bolt-On Rubber      |
| 3   | 2   | —        | Bolt-On Rubber           |
| 4   | 30  | —        | Capscrew, M8             |

■ Maximum roll handling capacity.

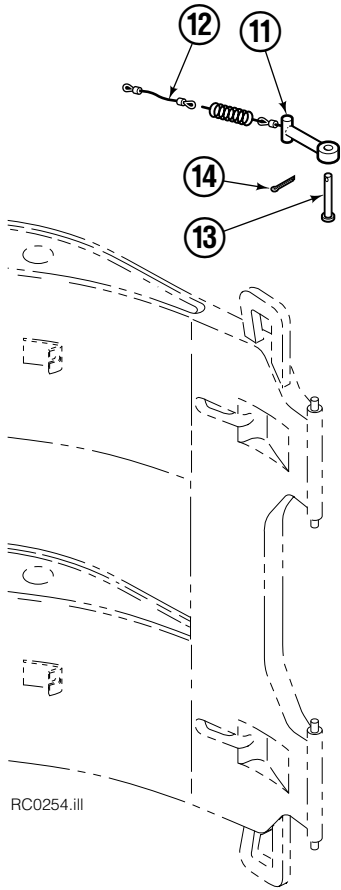
## Common Parts

| REF | QTY | PART NO. | DESCRIPTION                    | REF | QTY | PART NO. | DESCRIPTION     |
|-----|-----|----------|--------------------------------|-----|-----|----------|-----------------|
|     |     | 212935   | Common Parts Group – Short Arm | 8   | 8   | 681473   | Lockwasher, M12 |
| 5   | 2   | 209904   | Retainer, R.H. ▲               | 9   | 2   | 209909   | Link            |
| 6   | 2   | 209905   | Retainer, L.H. ▲               | 10  | 2   | 674265   | Clevis Pin      |
| 7   | 8   | 763021   | Capscrew, M12                  | 11  | 2   | 6525     | Cotter Pin      |

▲ Driver's view, clamp in horizontal position, Short Arm up.

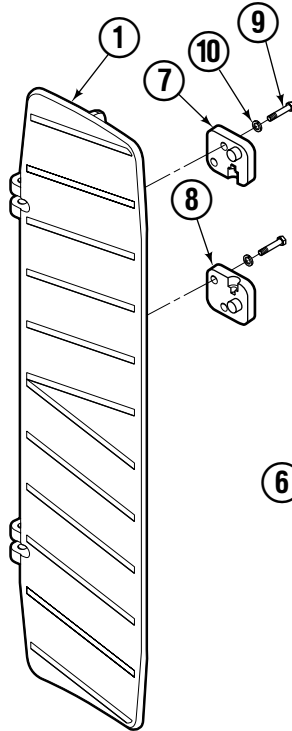
Reference: S-4176, S-4177.

# Pad Groups – Long Arm

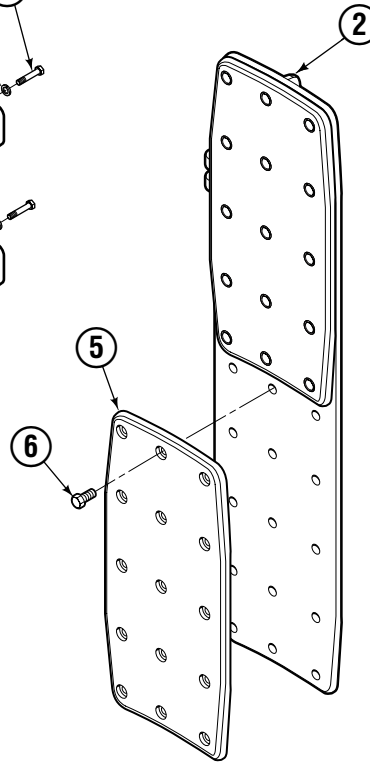


RC0254.ill

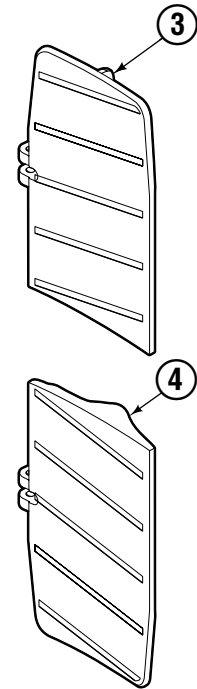
## Standard



## Bolt-On Rubber



## Split



| 72G |     |                      |                          |
|-----|-----|----------------------|--------------------------|
| REF | QTY | 72 in. ■<br>PART NO. | DESCRIPTION              |
|     |     | 209887               | Standard Pad Group       |
|     |     | —                    | Bolt-On Rubber Pad Group |
|     |     | 209889               | Split Pad Group          |
| 1   | 1   | 209898               | Pad, Standard            |
| 2   | 1   | —                    | Pad, Bolt-On Rubber      |
| 3   | 1   | 213658               | Pad, Split, R.H. ▲       |
| 4   | 1   | 213659               | Pad, Split, L.H. ▲       |
| 5   | 2   | —                    | Bolt-On Rubber           |
| 6   | 30  | —                    | Capscrew, M8             |

■ Maximum roll handling capacity.

▲ Driver's view, clamp in horizontal position, Long Arm up.

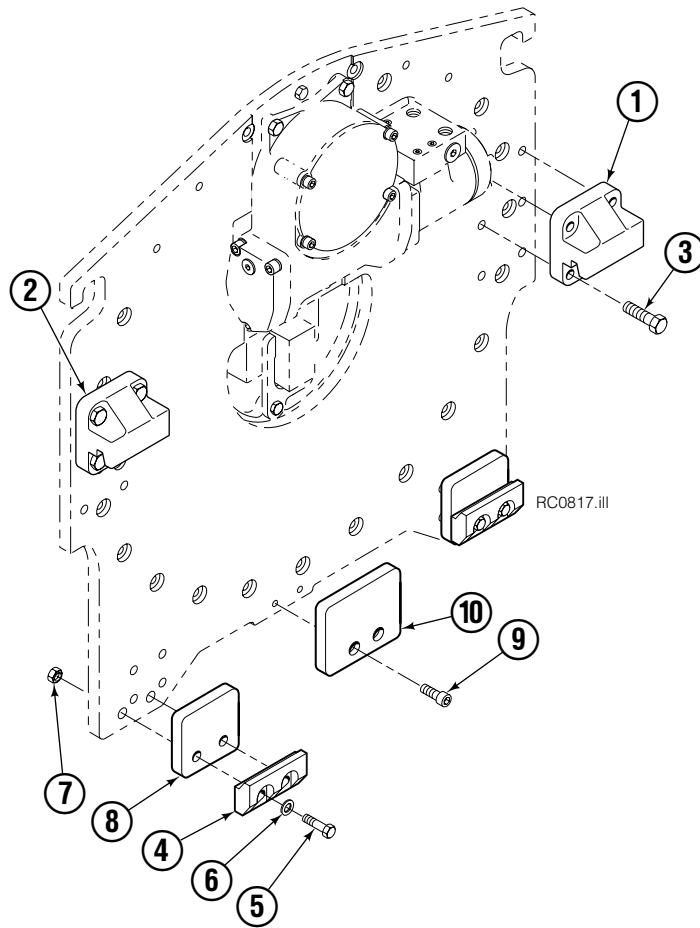
## Common Parts

| REF | QTY | PART NO. | DESCRIPTION                   | REF | QTY | PART NO. | DESCRIPTION      |
|-----|-----|----------|-------------------------------|-----|-----|----------|------------------|
|     |     | 212934   | Common Parts Group – Long Arm |     | 2   | 4182-40  | Cable – 51 in. ■ |
| 7   | 2   | 211997   | Retainer, R.H. ▲              | 12  | 2   | 4182-110 | Cable – 60 in. ■ |
| 8   | 2   | 211998   | Retainer, L.H. ▲              |     | 2   | 4182-245 | Cable – 72 in. ■ |
| 9   | 8   | 763021   | Capscrew, M12                 | 13  | 2   | 674265   | Clevis Pin       |
| 10  | 8   | 681473   | Lockwasher, M12               | 14  | 2   | 6525     | Cotter Pin       |
| 11  | 2   | 209916   | Link Assembly                 |     |     |          |                  |

▲ Driver's view, clamp in horizontal position, Long Arm up.

Reference: S-4176, S-4177.

# Mounting Group



| 72G |     |          |                    |
|-----|-----|----------|--------------------|
| REF | QTY | PART NO. | DESCRIPTION        |
|     |     | 221779   | Mounting Group     |
| 1   | 1   | 209932   | Upper Hook – RH    |
| 2   | 1   | 209933   | Upper Hook – LH    |
| 3   | 8   | 779010   | Capscrew, M16 x 35 |
| 4   | 2   | 675969   | Lower Hook         |
| 5   | 4   | 210005   | Capscrew, M16 x 90 |
| 6   | 4   | 667225   | Washer, .625       |
| 7   | 4   | 781534   | Nut, M16           |
| 8   | 2   | 221772   | Spacer             |
| 9   | 2   | 788377   | Capscrew, M12 x 45 |
| 10  | 1   | 221774   | Center Spacer      |

Reference: S-10476.

**Do you have questions you need answered right now?** Call your nearest Cascade Parts Department. Visit us online at [www.cascorp.com](http://www.cascorp.com)

**Cascade Corporation**  
2501 Sheridan Avenue  
Springfield, OH 45505  
Tel: 888-CASCADE (227-2233)  
FAX: 888-329-0234

**Cascade Canada Inc.**  
5570 Timberlea Blvd.  
Mississauga, Ontario  
Canada L4W-4M6  
Tel: 905-629-7777  
FAX: 905-629-7785

**Cascade GmbH**  
D-41199 Monchengladbach  
Klosterhofweg 52  
Germany  
Tel: 49-216-668230  
FAX: 49-216-6682323

**Cascade Finland**  
Albert Petreliuksenkatu 3  
01370 Vantaa  
Finland  
Tel: 358-9-836-1925  
FAX: 358-9-836-1935

**Cascade N.V.  
European Headquarters**  
P.O. Box 3009  
1300 El Almere  
Damsluisweg 56  
1332 ED Almere  
The Netherlands  
Tel: 31-36-5492911  
FAX: 31-36-5492964

**Cascade N.V.  
Benelux Sales and Service**  
P.O. Box 3009  
1300 El Almere  
Damsluisweg 56  
1332 ED Almere  
The Netherlands  
Tel: 31-36-5492950  
FAX: 31-36-5492974

**Cascade (UK) Ltd.**  
15, Orgreave Crescent  
Dore House Industrial Estate  
Handsworth  
Sheffield S13 9NQ  
England  
Tel: 742-697524  
FAX: 742-695121

**Cascade Scandinavia AB**  
Box 124  
Hammarvägen 10  
567 23 Vaggeryd  
Sweden  
Tel: 42-0-393-36950  
FAX: 46-0-393-36959

**Cascade Norway**  
Østerliveien 37A  
1153 Oslo  
Norway  
Tel: 47-22-743160  
FAX: 47-22-743157

**Cascade France S.A.R.L.**  
1D Rue De Charaintru  
BP 18, 91360 Epinay-Sur-Orge  
Morangis Cedex, France  
Tel: 33-1- 64547500  
FAX: 33-1-64547501

**Cascade Hispania S.A.**  
Carrer 5 Sector C  
Zona Franca Duanera  
Poligono de la Zon Franca  
08040 Barcelona, Spain  
Office No. 256  
Tel: 93-264-07-30  
FAX: 93-264-07-31

**Cascade Japan Ltd.**  
5-5-41,  
Torikai Kami  
Settsu, Osaka  
Japan, 566  
Tel: 81-726-53-3490  
FAX: 81-726-53-3497

**Cascade Korea**  
108B, Namdong Ind Complex  
658-3 Gojan-Dong  
Namdong-Gu  
Inchon, 405-310 Korea  
Tel: 82-32-821-2051  
FAX: 82-32-821-2055

**Cascade Australia**  
1445 Ipswich Road  
Rocklea, QLD 4106  
Australia  
Tel: 1-800227-223  
FAX: (07) 3373-7333

**Cascade New Zealand**  
15 Ra Ora Drive  
East Tamaki, Auckland  
New Zealand  
Tel: 9-273-9136  
FAX: 9-273-9137

**Cascade (Africa) Pty. Ltd.**  
P.O. Box 625, Isando 1600  
60A Steel Road  
Sparton, Kempton Park  
South Africa  
Tel: 27-11-975-9240  
FAX: 27-11-394-1147

**Cascade-Xiamen**  
No. 668 Yangguang Rd.  
Xinyang Industrial Zone  
Haicang, Xiamen City  
Fujian Province  
P.R. China 361026  
Tel: 86-592-651-2500  
FAX: 86-592-651-2571

**Cascade (Singapore)  
Trading Co.**  
Four Seasons Park  
Autumn Block - Apt. 1802  
12 Cuscaden Walk  
Singapore  
Tel: 65-834-1935  
FAX: 65-834-1936

